

US00D569721S

(12) **United States Design Patent**
Gedanke

(10) **Patent No.:** **US D569,721 S**

(45) **Date of Patent:** **** *May 27, 2008**

(54) **VACUUM PUMP PACKAGE**

D548,069 S * 8/2007 Sagel et al. D9/425

(75) Inventor: **Sergio Gedanke**, Brooklyn, NY (US)

* cited by examiner

(73) Assignee: **Reynolds Foil Inc.**, Richmond, VA (US)

Primary Examiner—Robert M. Spear
Assistant Examiner—Susan E Krakower

(*) Notice: This patent is subject to a terminal disclaimer.

(74) *Attorney, Agent, or Firm*—Greenberg Traurig LLP; James E. Goepel; John Wittenzellner

(**) Term: **14 Years**

(57) **CLAIM**

(21) Appl. No.: **29/278,952**

The ornamental design for a vacuum pump package, as shown and described.

(22) Filed: **Apr. 16, 2007**

DESCRIPTION

(51) **LOC (8) Cl.** **09-03**

FIG. 1 is a perspective view of the vacuum pump package, showing my new design;

(52) **U.S. Cl.** **D9/425; D9/418**

FIG. 2 is a front elevational view thereof;

(58) **Field of Classification Search** D9/414,

FIG. 3 is a rear elevational view thereof;

D9/415, 418, 424, 425, 457; 206/461–471,

FIG. 4 is a right elevational view thereof;

206/495, 806, 701–705, 769–776, 756, 486

FIG. 5 is a left elevational view thereof;

See application file for complete search history.

FIG. 6 is a top plan view thereof;

(56) **References Cited**

FIG. 7 is a bottom plan view thereof; and,

U.S. PATENT DOCUMENTS

FIG. 8 is a perspective view thereof.

D307,867 S * 5/1990 Lewis D9/424

The broken line showing of a pump depicts unclaimed environmental subject matter.

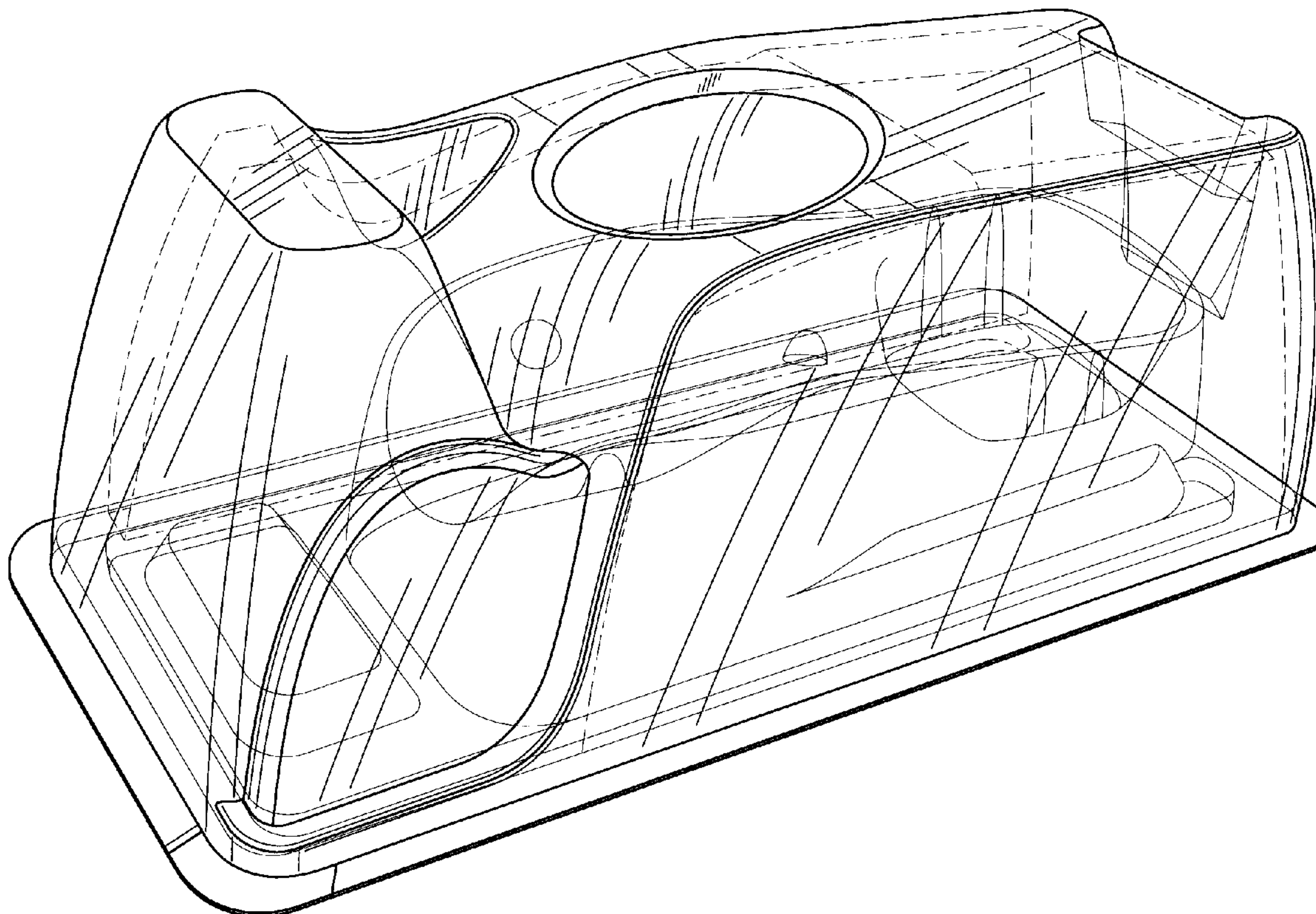
D352,236 S * 11/1994 Althaus D9/415

D466,405 S * 12/2002 Lee D9/415

D517,907 S * 3/2006 Lee et al. D9/415

D543,843 S * 6/2007 Gehring et al. D9/425

1 Claim, 7 Drawing Sheets



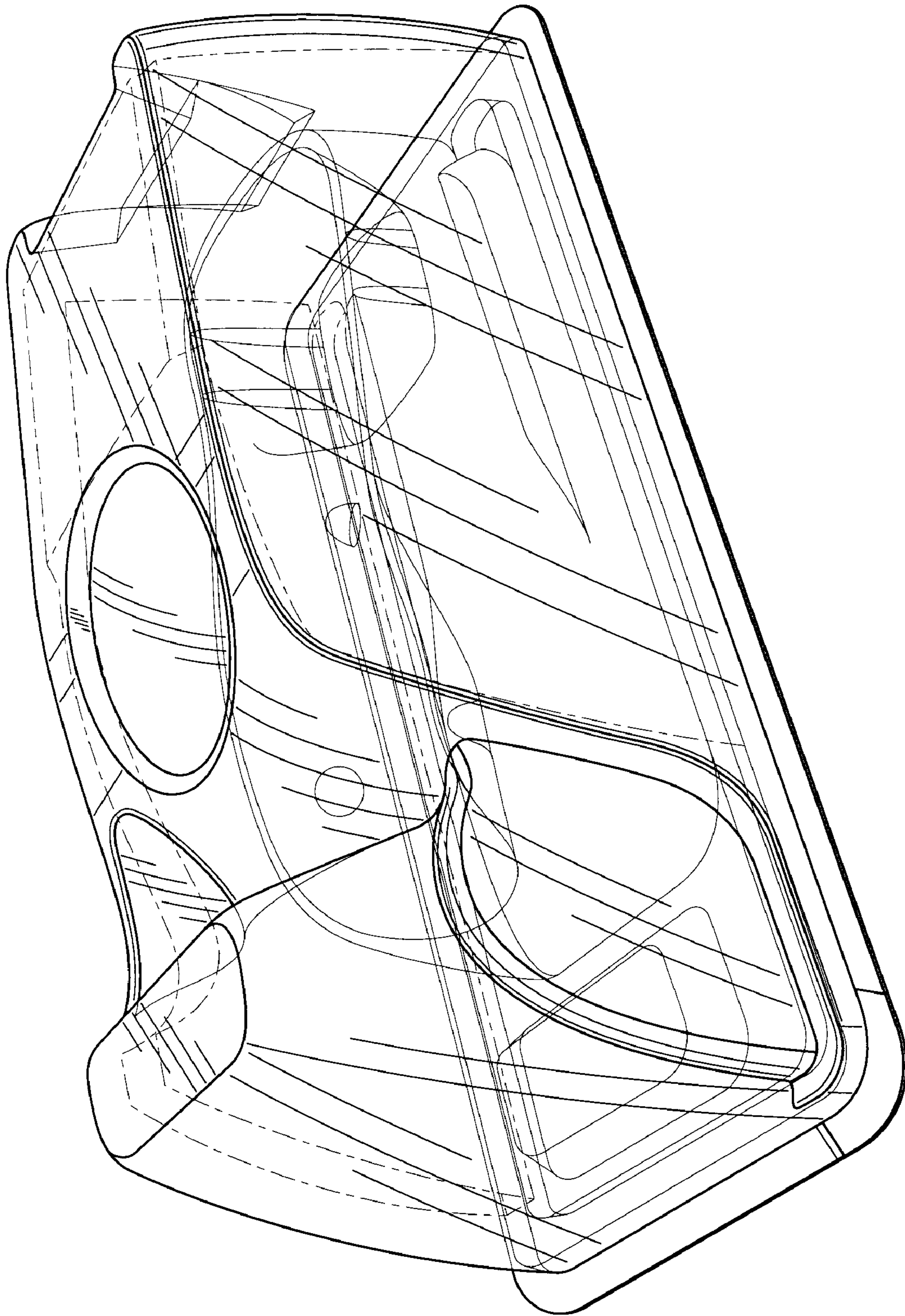


Figure 1

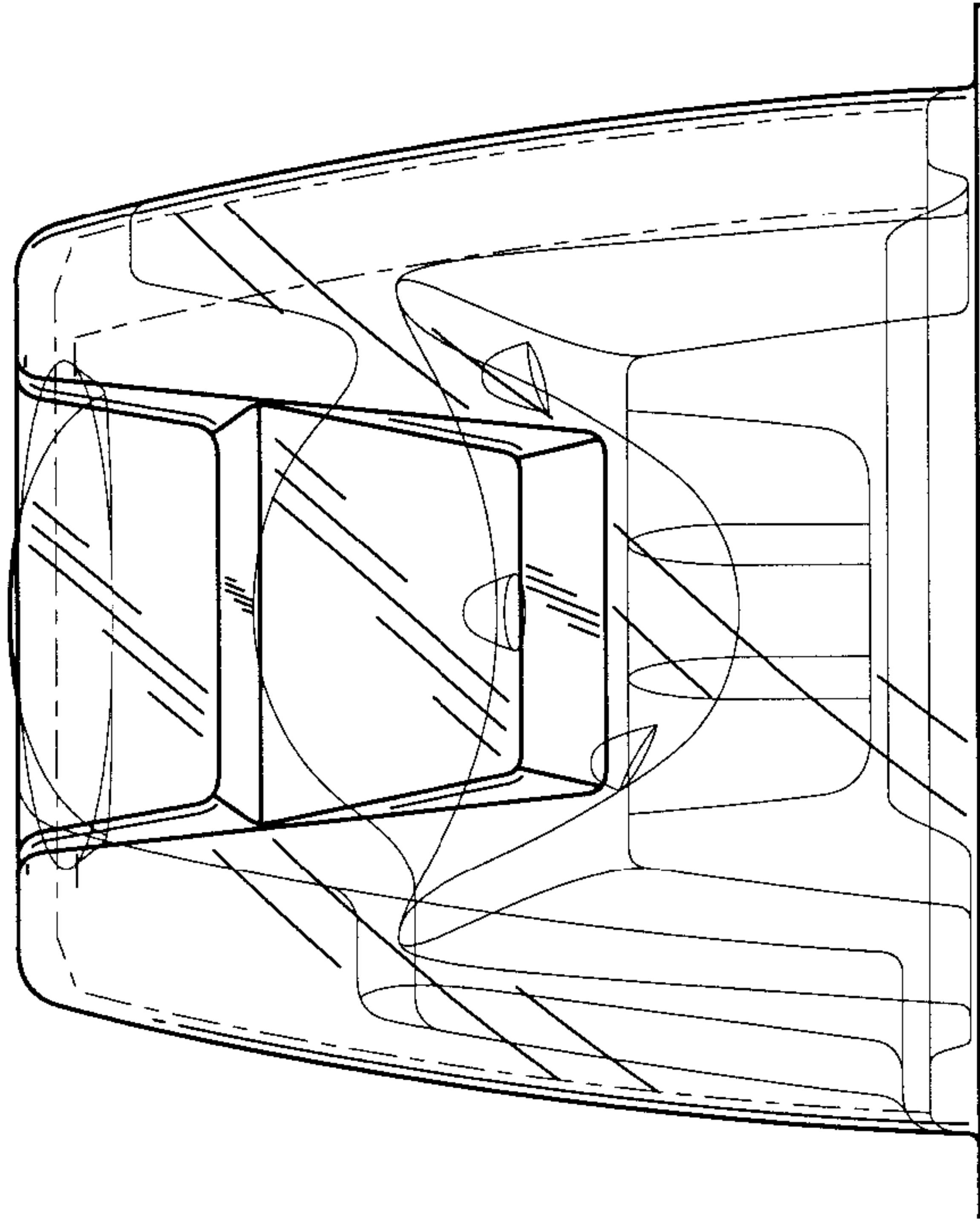


Figure 3

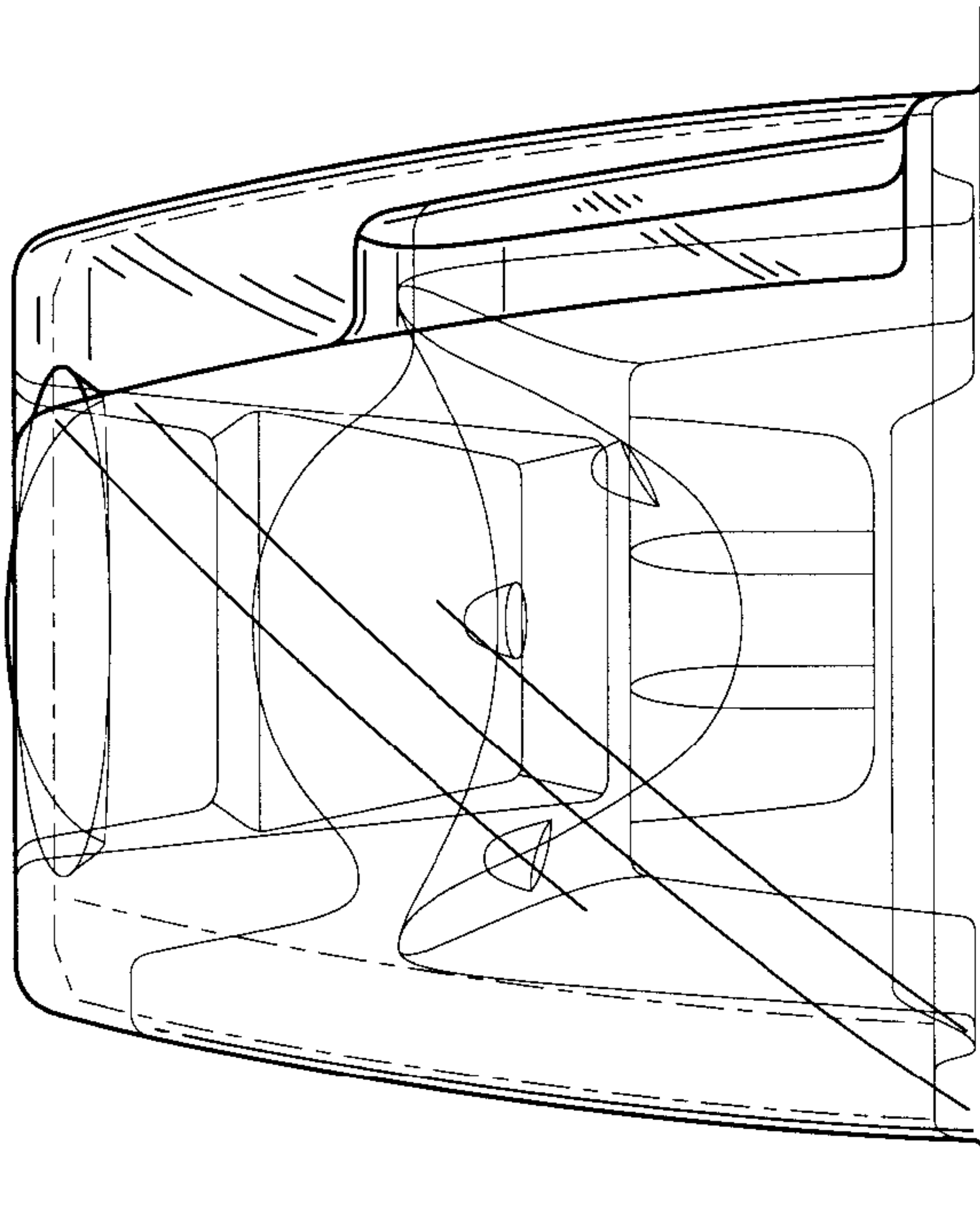


Figure 2

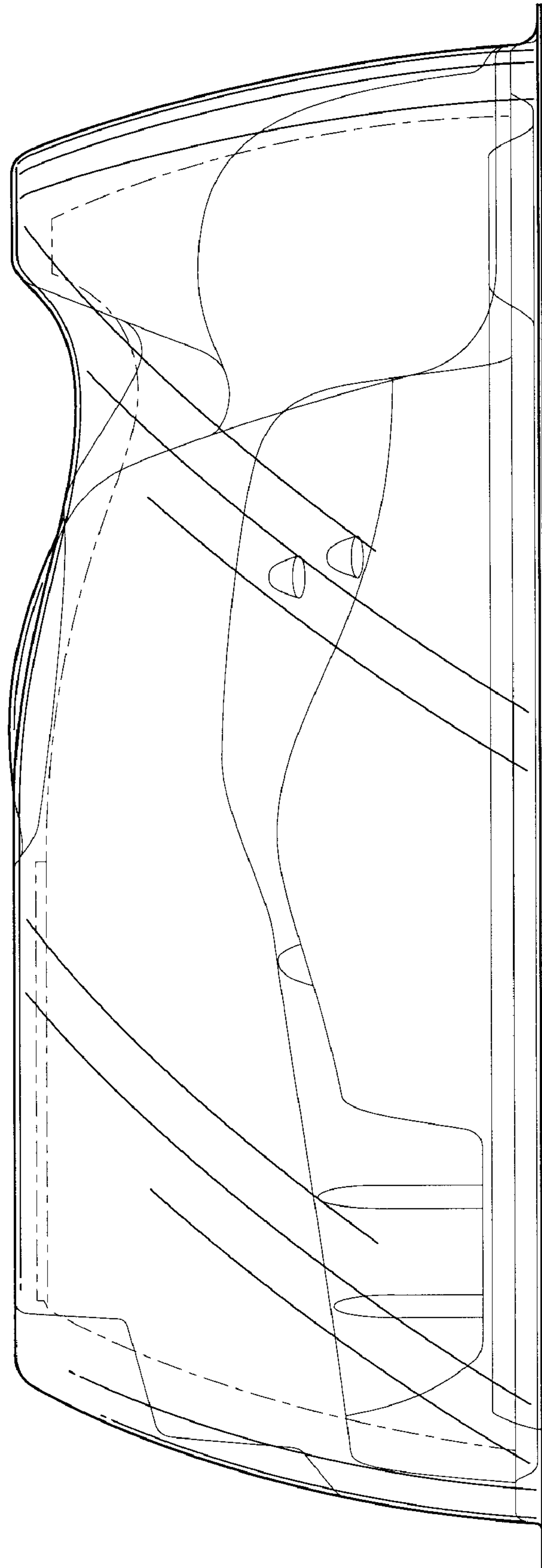


Figure 4

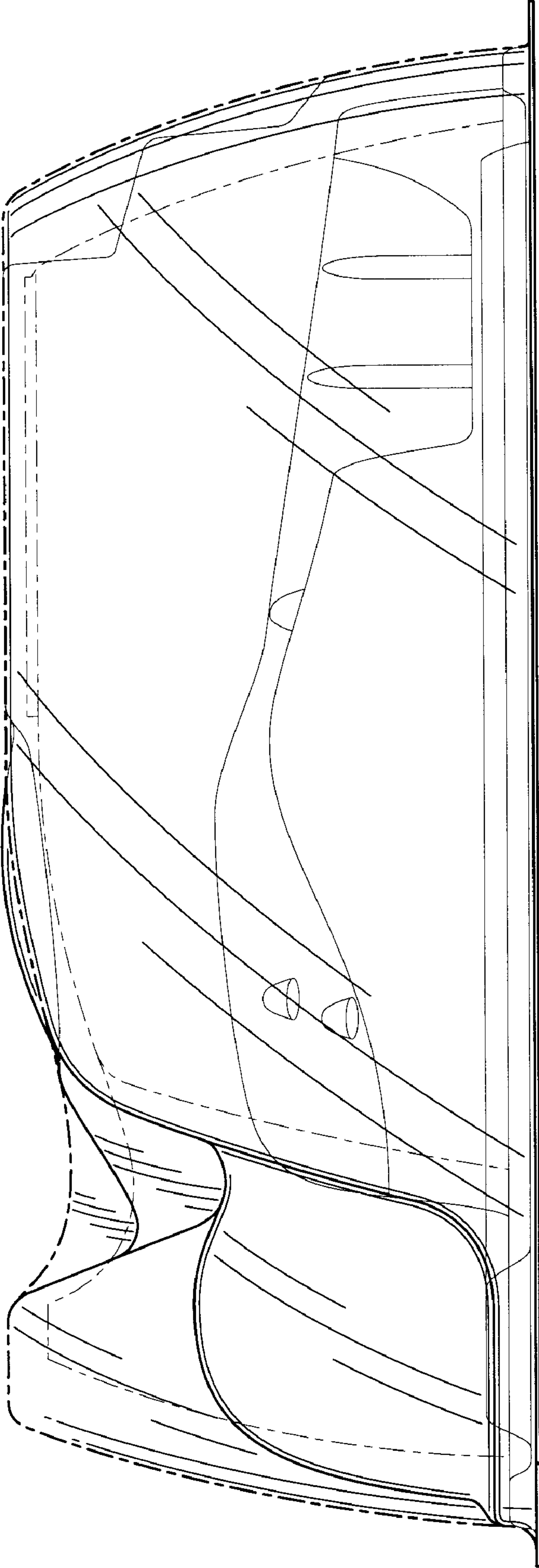


Figure 5

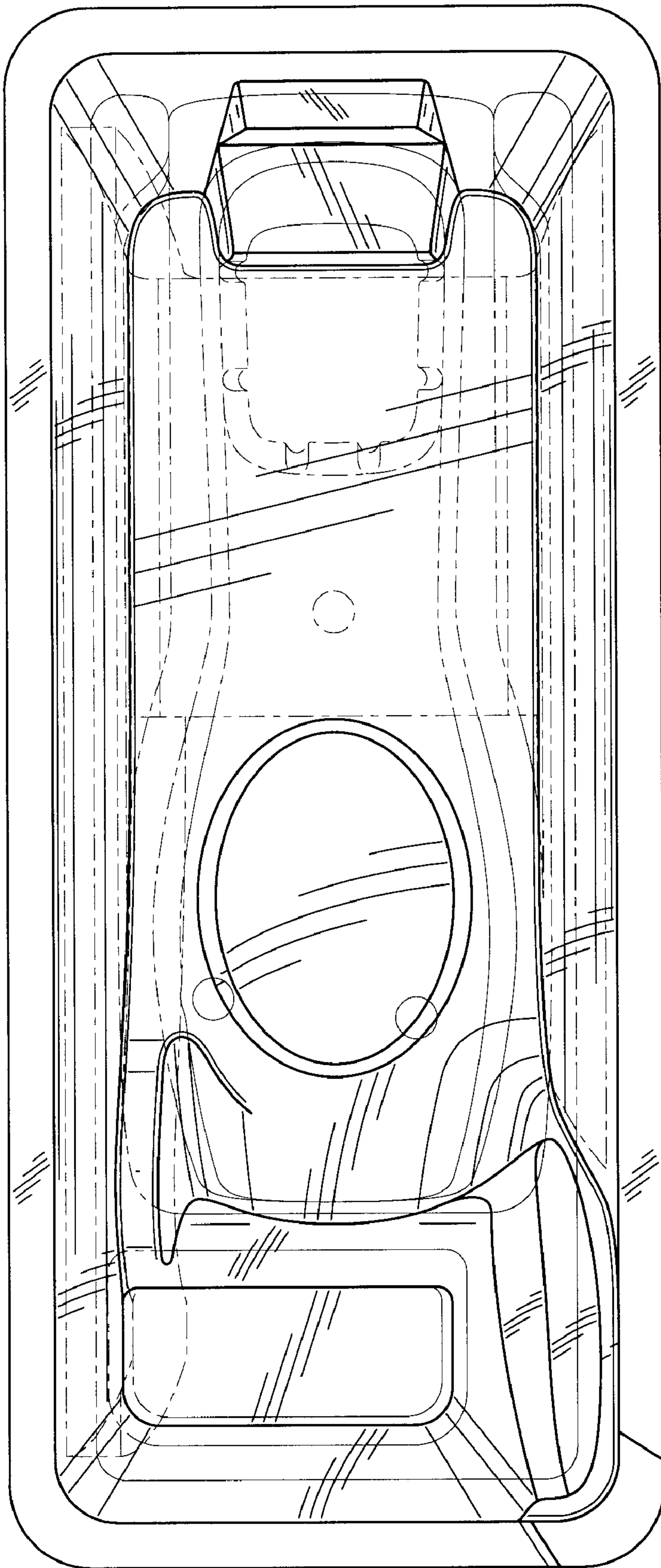


Figure 6

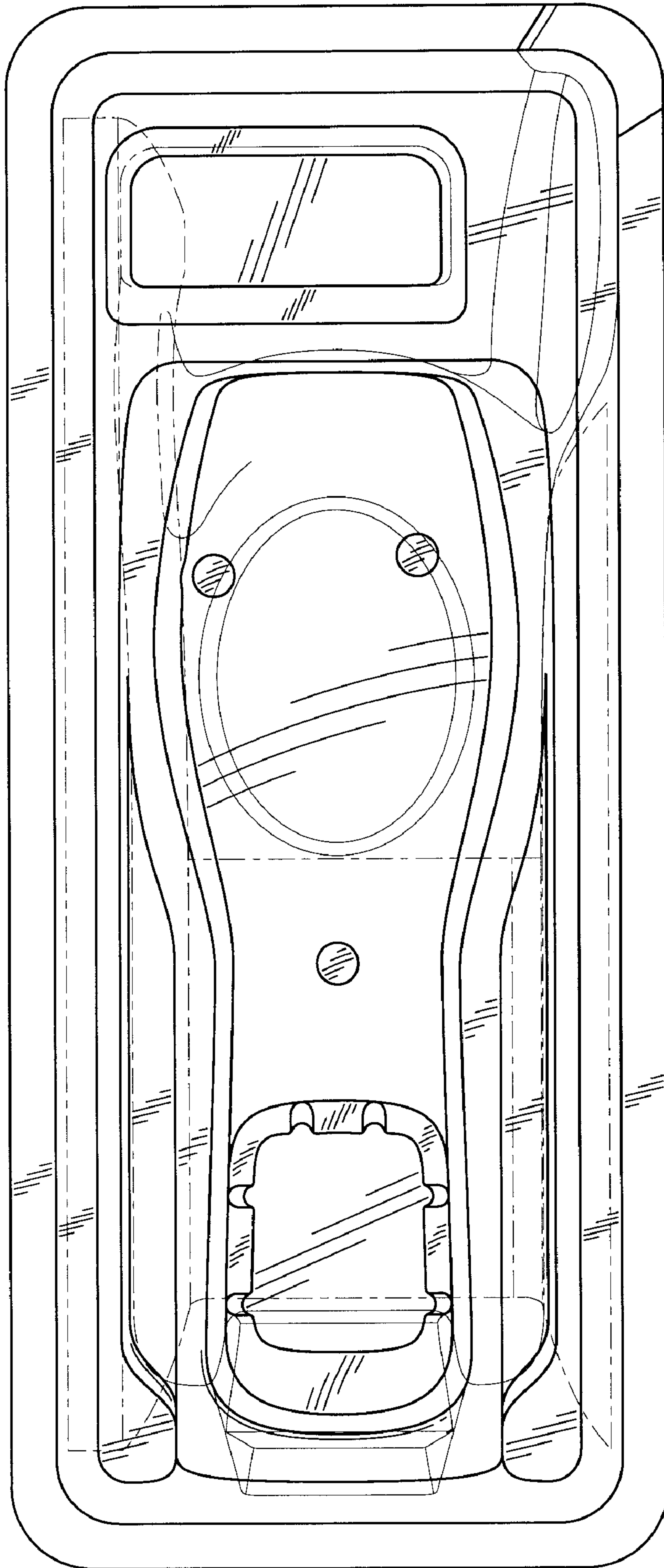


Figure 7

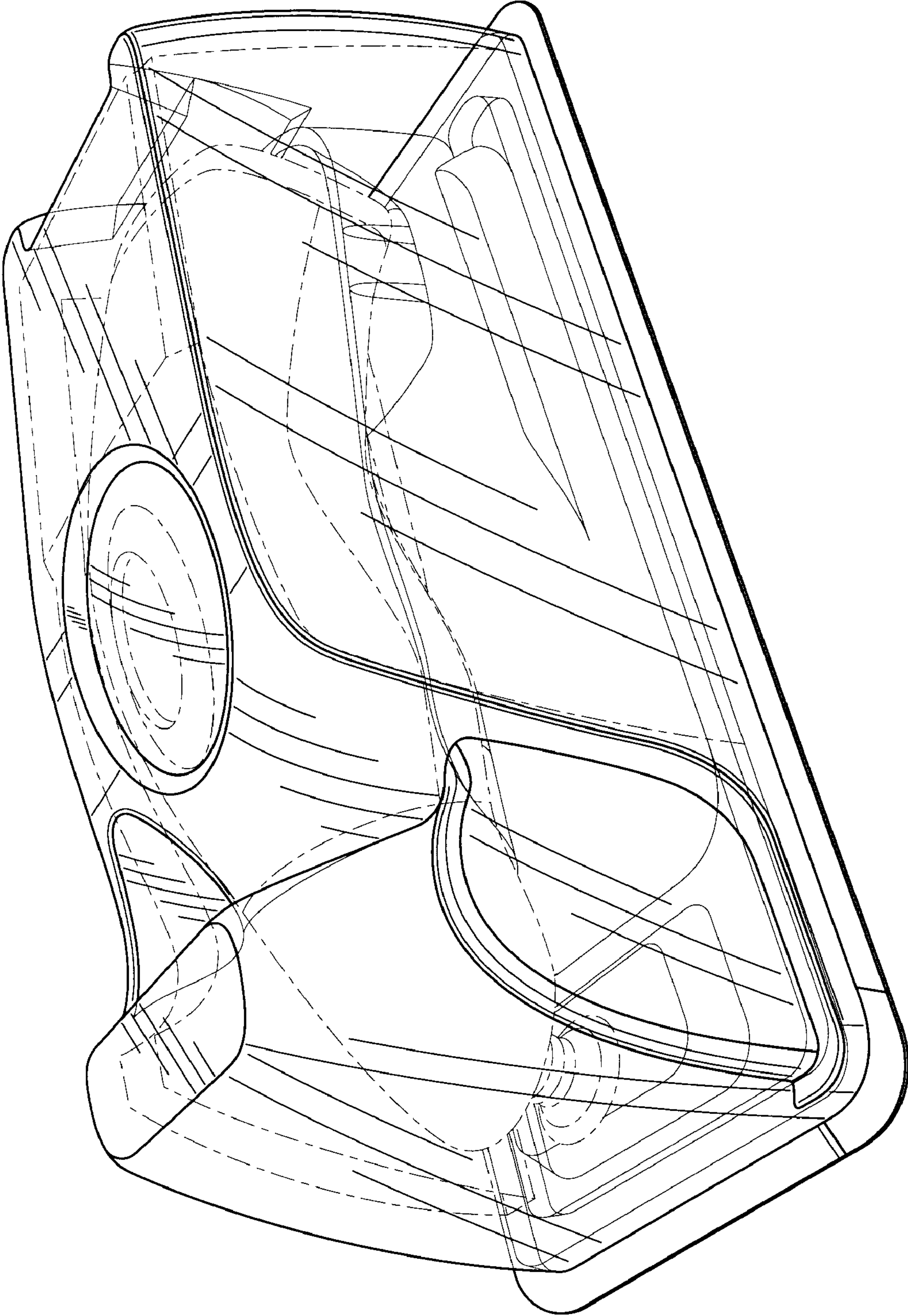


Figure 8