



US00D569720S

(12) **United States Design Patent**  
**Lablaine**

(10) **Patent No.:** **US D569,720 S**

(45) **Date of Patent:** **\*\* May 27, 2008**

(54) **CONTAINER**

(75) Inventor: **Bruno Rene Lablaine**, Amilly (FR)

(73) Assignee: **Cadbury Schweppes Plc**, London (GB)

(\*\*) Term: **14 Years**

(21) Appl. No.: **29/284,349**

(22) Filed: **Sep. 6, 2007**

(30) **Foreign Application Priority Data**

Mar. 12, 2007 (RU) ..... 2007500781

(51) **LOC (8) Cl.** ..... **09-03**

(52) **U.S. Cl.** ..... **D9/420; D9/423**

(58) **Field of Classification Search** ..... D9/420-423,  
D9/426, 432; D3/257; D7/629; D28/76,  
D28/77; D34/11; 222/556; 229/225-234,  
229/125.09; 206/37, 540, 564, 566; 220/254.3,  
220/259.1, 713, 819

See application file for complete search history.

(56) **References Cited**

**U.S. PATENT DOCUMENTS**

D266,049 S \* 9/1982 Conti ..... D7/602  
D386,001 S \* 11/1997 Saffran ..... D9/573  
D394,606 S \* 5/1998 Zorn et al. .... D9/432  
D463,276 S \* 9/2002 Piscopo et al. .... D9/420  
D464,884 S \* 10/2002 Sumpmann et al. .... D9/432  
D471,804 S \* 3/2003 Staples ..... D9/423  
D473,461 S \* 4/2003 Joubert ..... D9/423

D545,186 S \* 6/2007 Liebe et al. .... D9/420  
D552,468 S \* 10/2007 Seum et al. .... D9/420  
2006/0076352 A1 \* 4/2006 Peterson et al. .... 220/254.3

\* cited by examiner

*Primary Examiner*—Daniel D Bui

*Assistant Examiner*—Thomas J Johannes

(74) *Attorney, Agent, or Firm*—Hoffmann & Baron, LLP

(57) **CLAIM**

The ornamental design for a container, as shown and described.

**DESCRIPTION**

FIG. 1 is a front perspective view of a container;

FIG. 2 is a rear perspective view thereof;

FIG. 3 is a rear perspective view thereof, with the lid being open;

FIG. 4 is a front elevational view thereof;

FIG. 5 is a rear elevational view thereof;

FIG. 6 is a top plan view thereof;

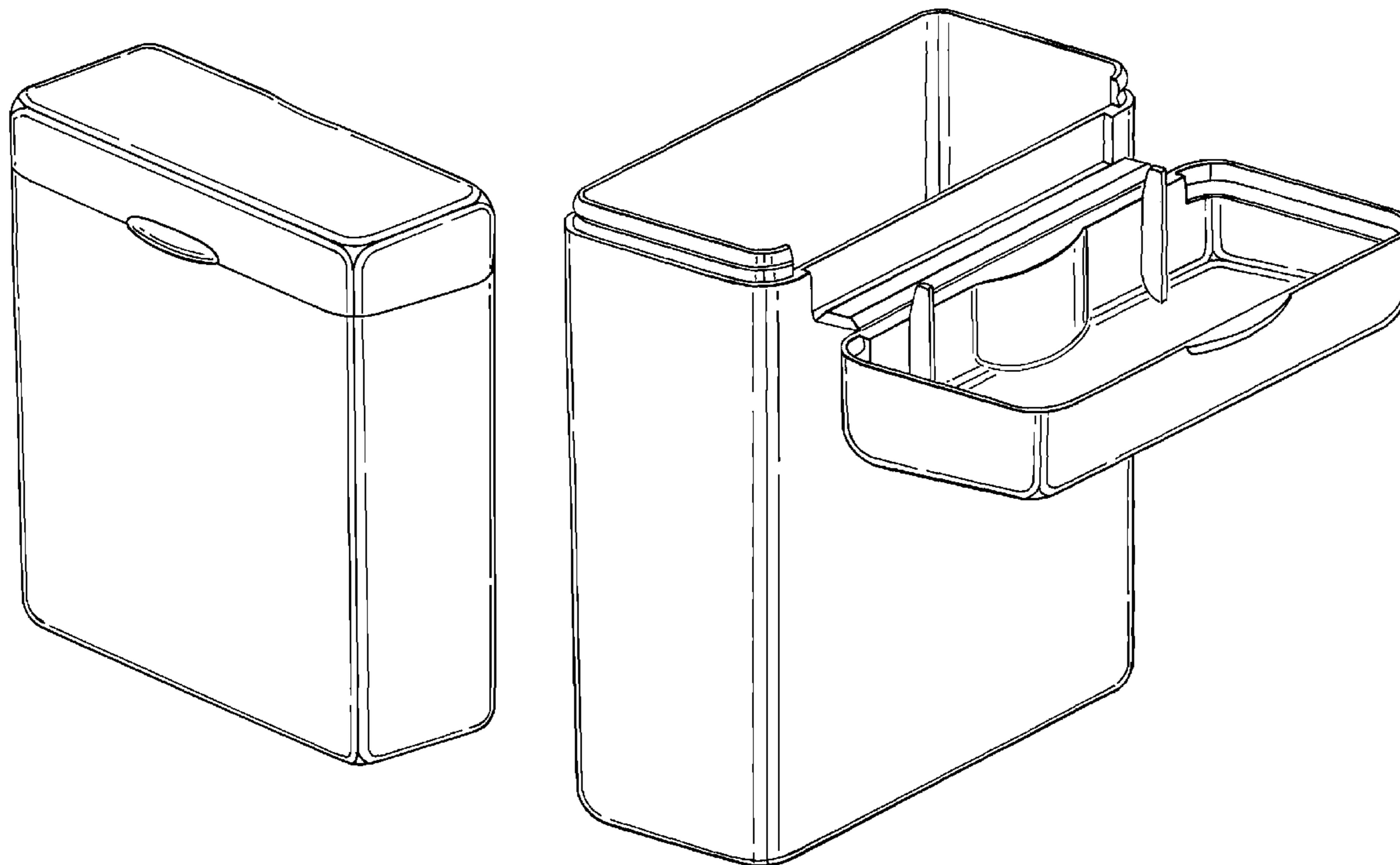
FIG. 7 is a bottom plan view thereof;

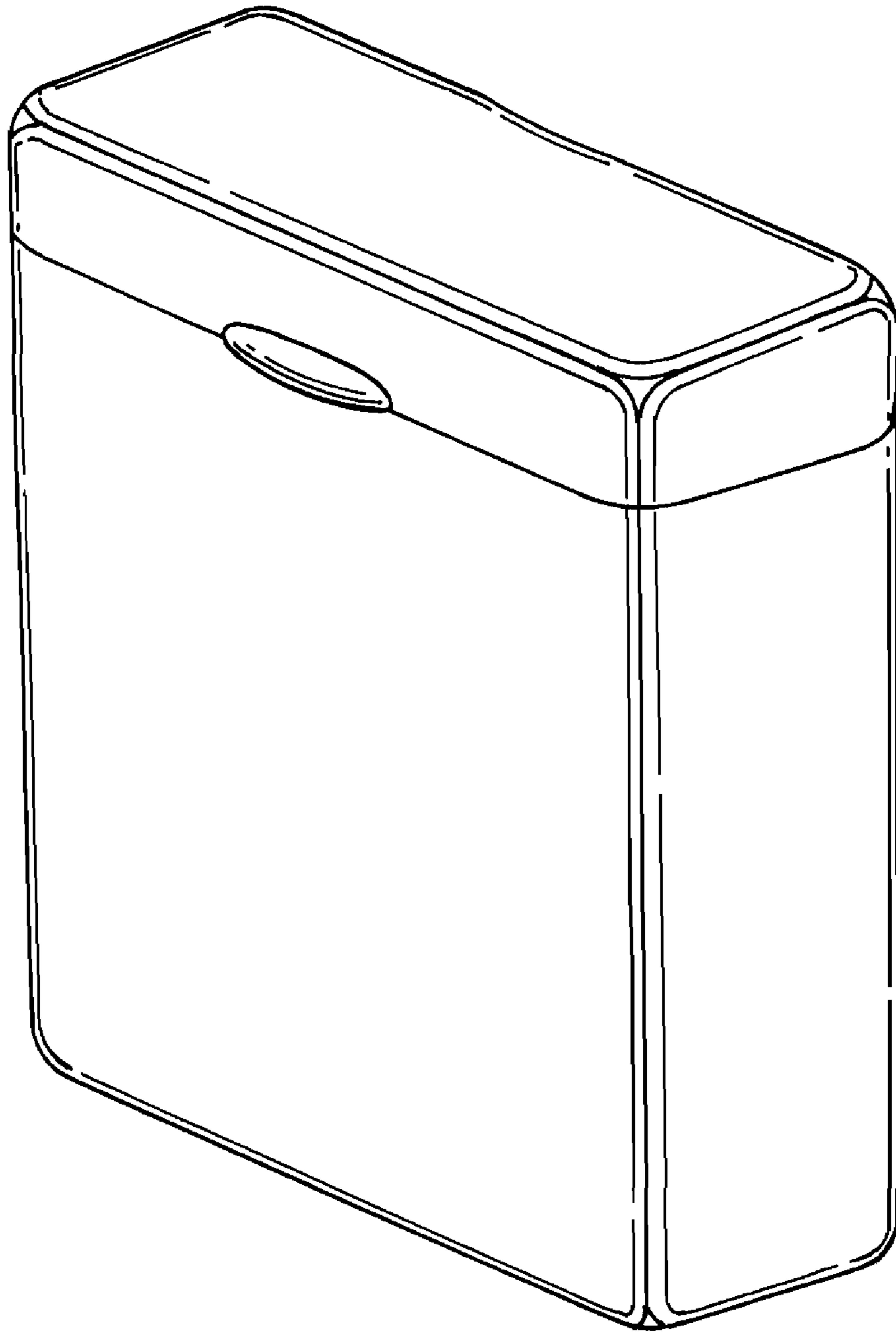
FIG. 8 is a left side elevational view thereof; and,

FIG. 9 is a right side elevational view thereof.

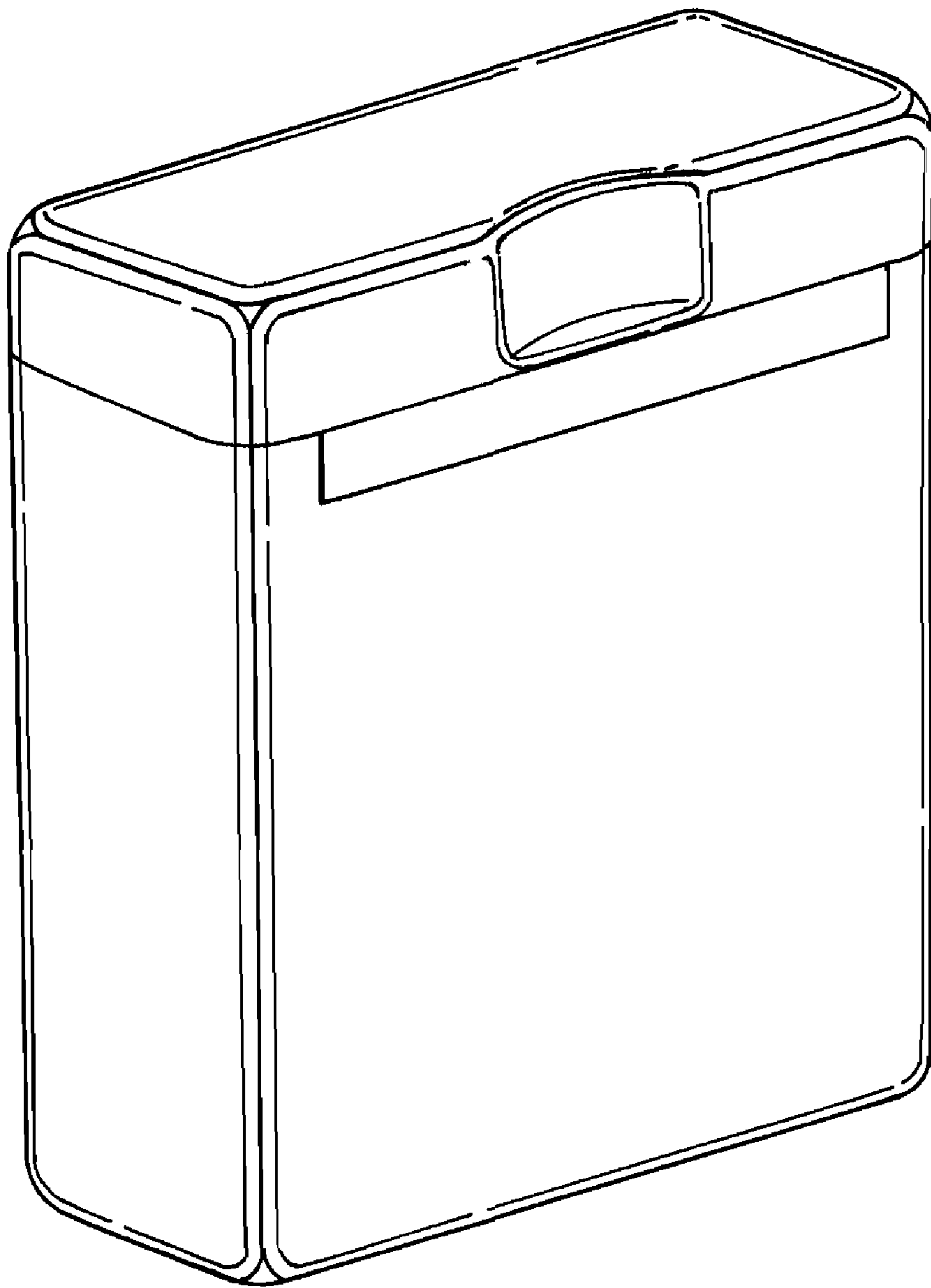
The container is usable for storage of different kinds of goods, in particular, for granular food substances, haberdashery, and stationery.

**1 Claim, 6 Drawing Sheets**

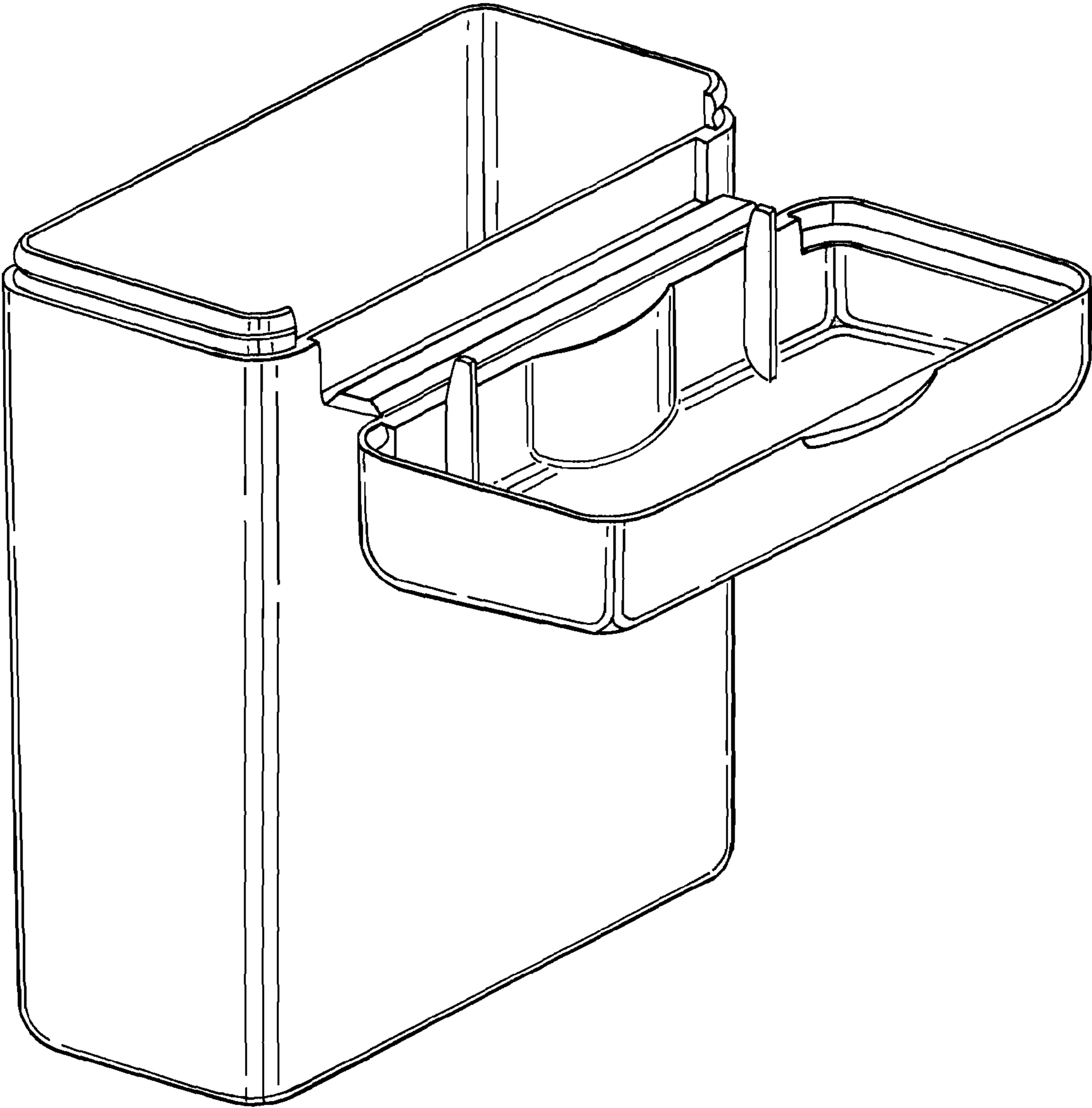




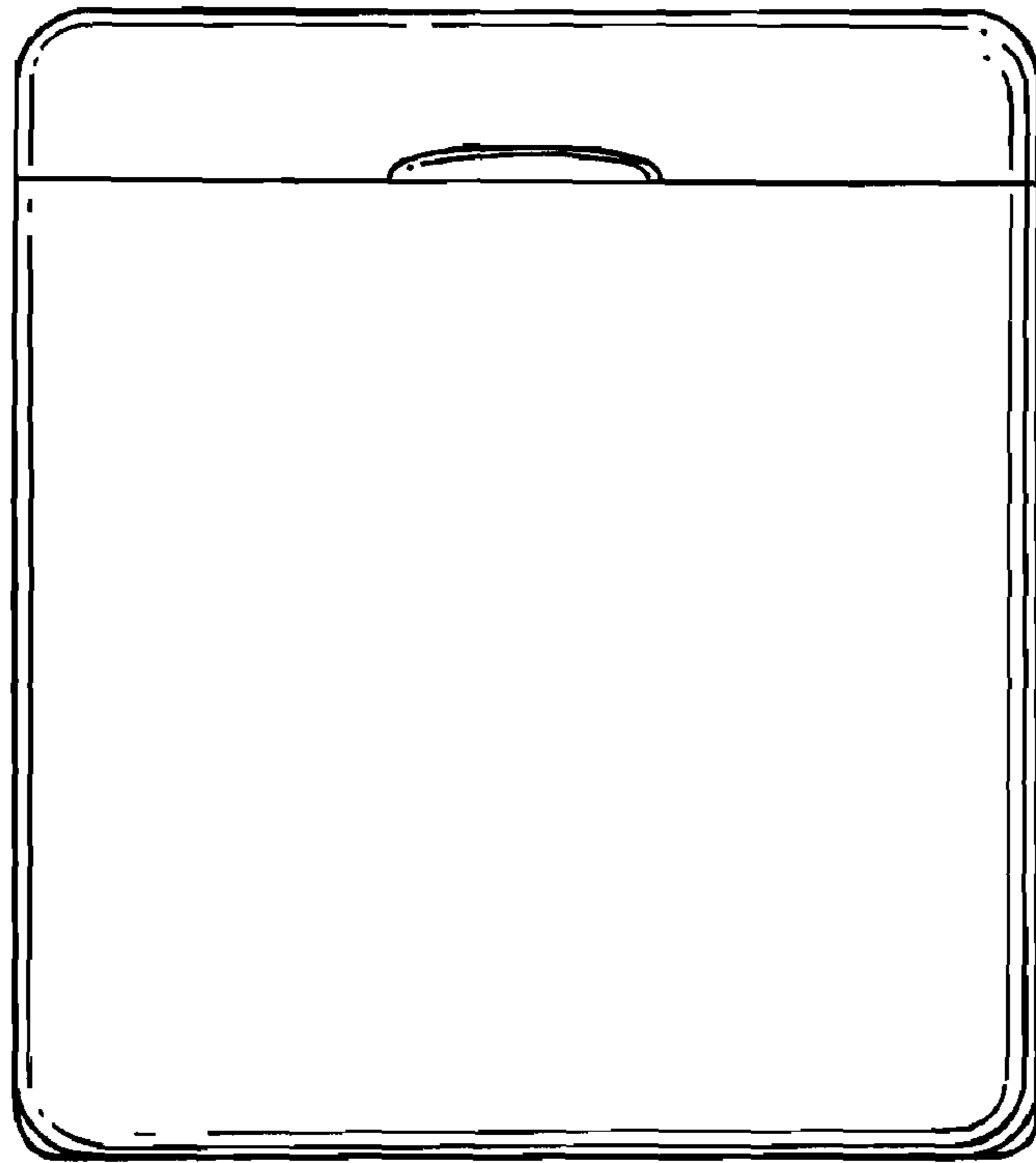
**FIGURE 1**



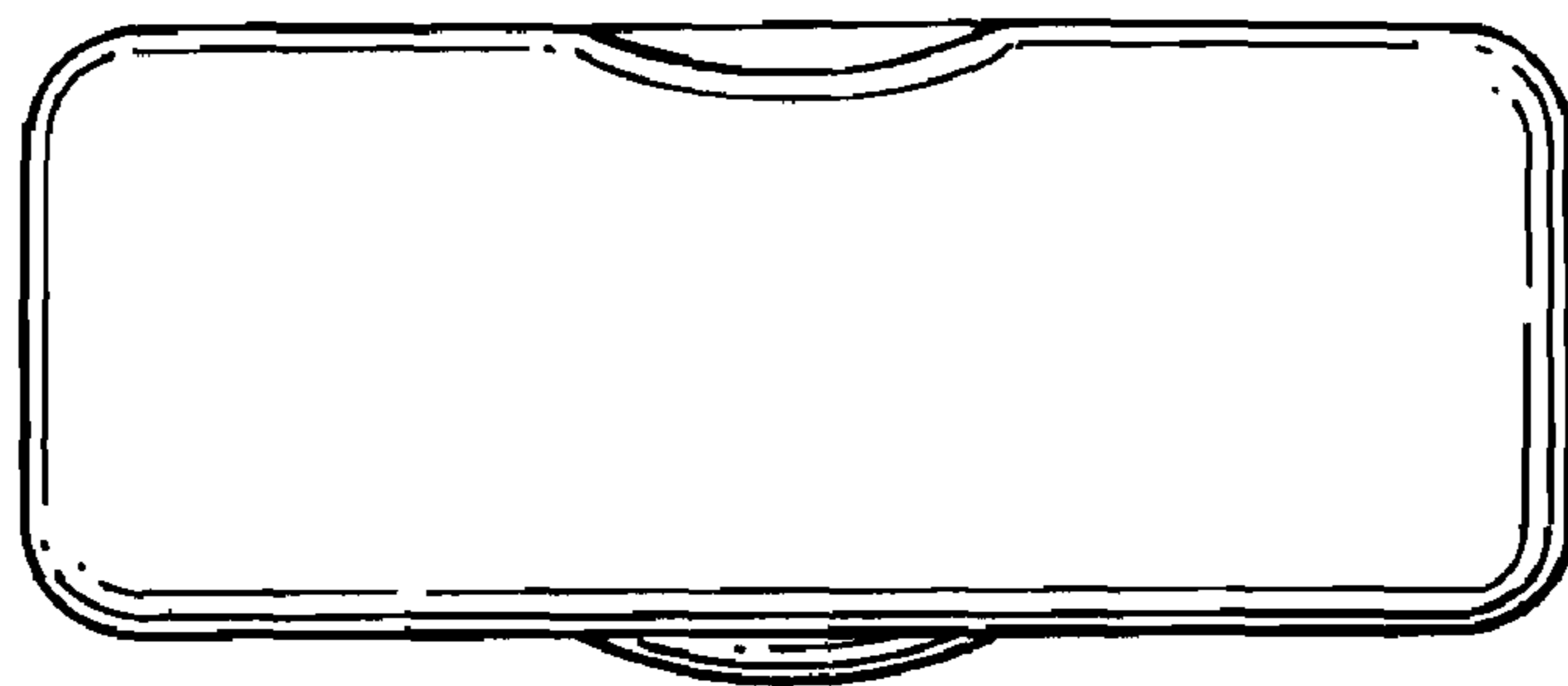
**FIGURE 2**



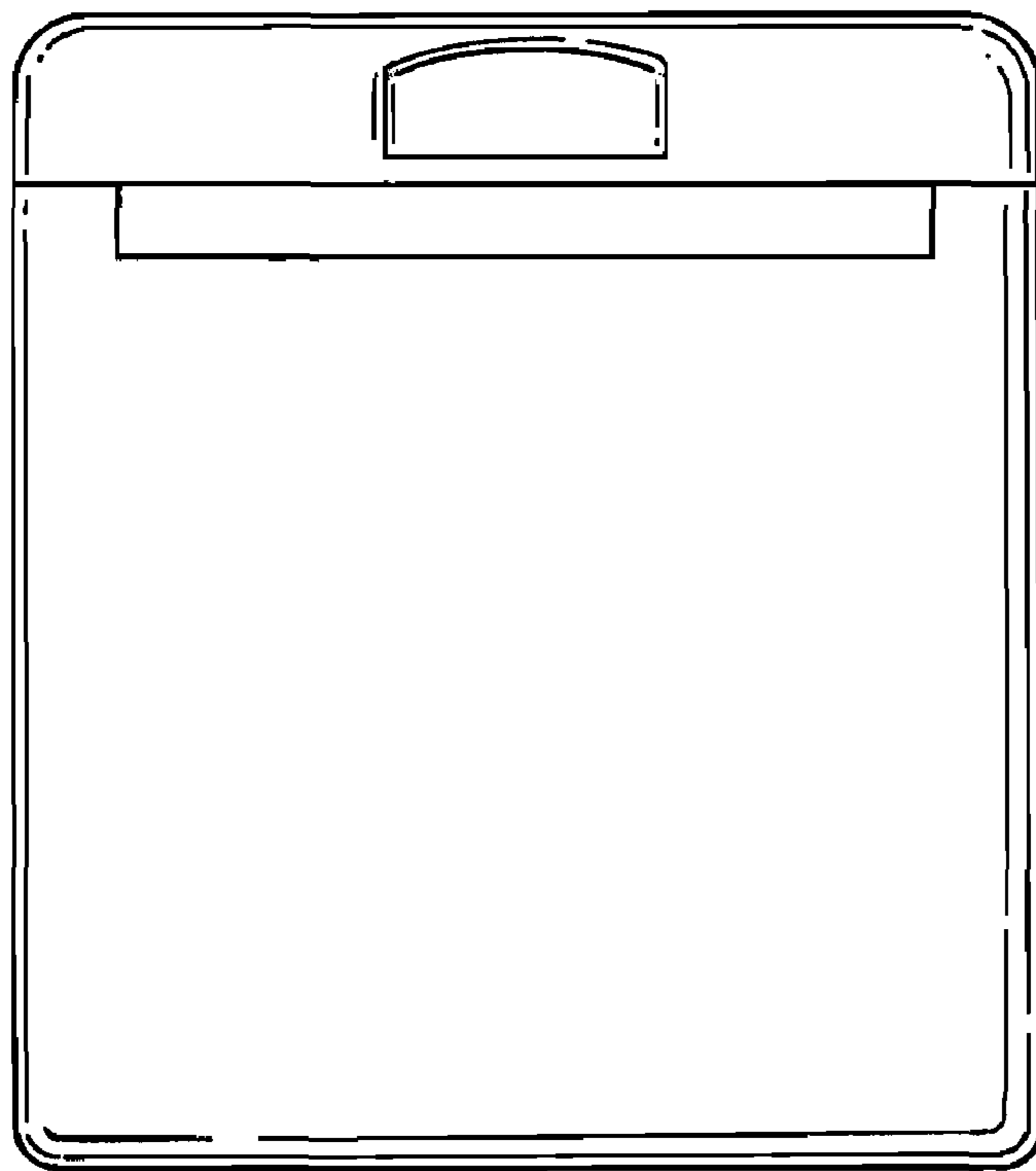
**FIGURE 3**



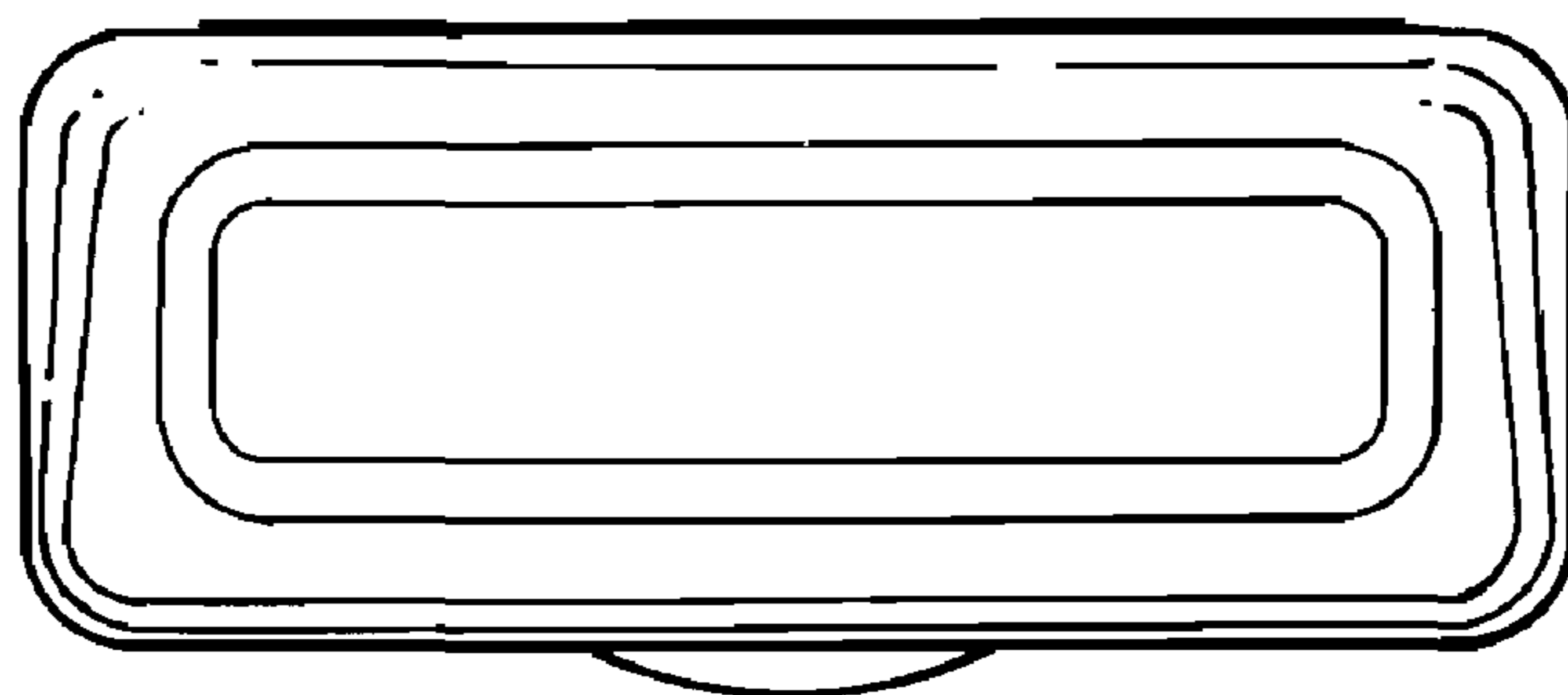
**FIGURE 4**



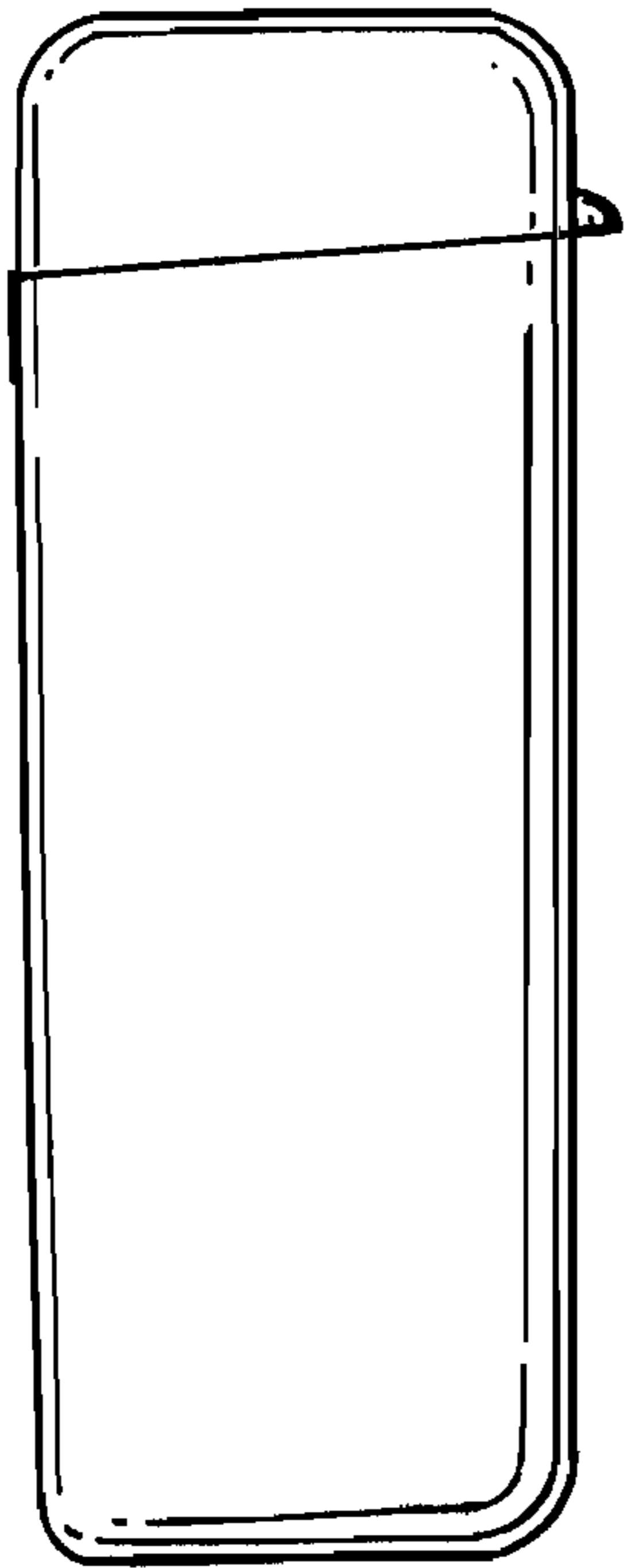
**FIGURE 6**



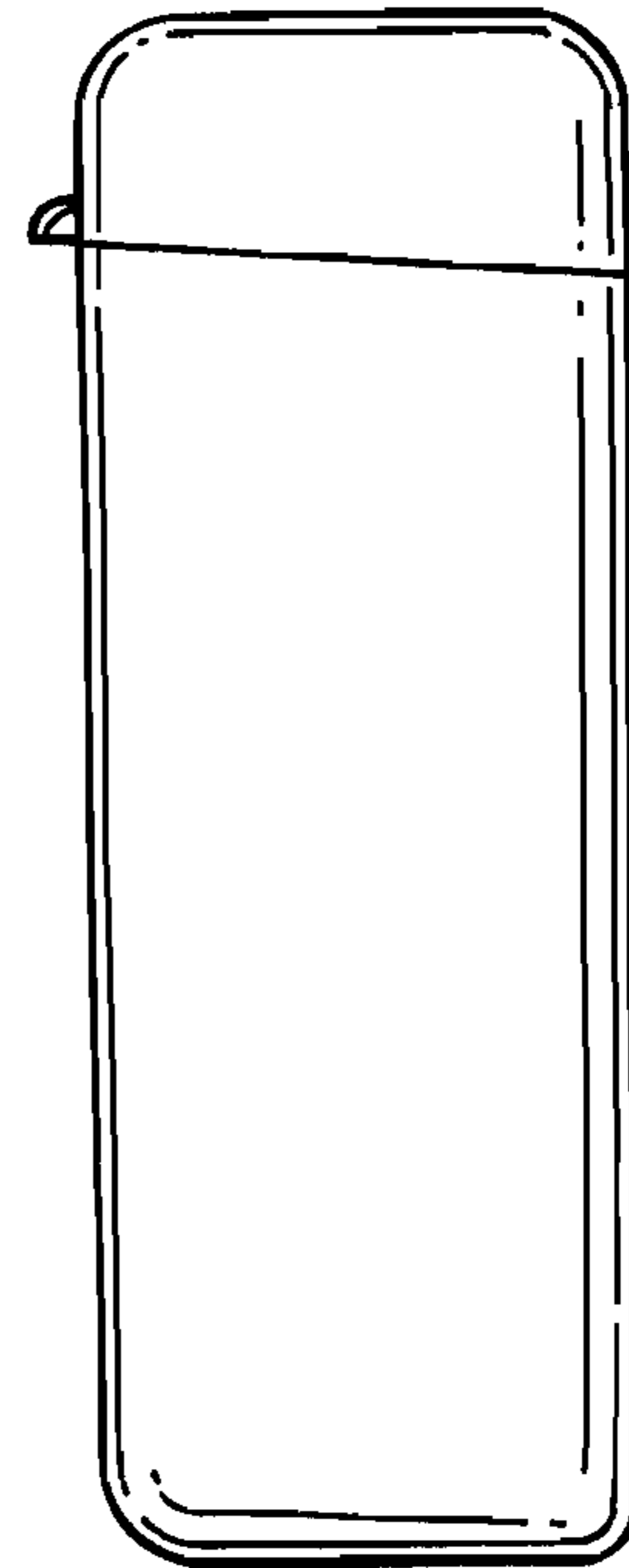
**FIGURE 5**



**FIGURE 7**



**FIGURE 8**



**FIGURE 9**