



US00D569718S

(12) **United States Design Patent**
Nakamura et al.

(10) **Patent No.:** **US D569,718 S**

(45) **Date of Patent:** **** May 27, 2008**

(54) **CLIP ATTACHMENT**

(75) Inventors: **Hiroto Nakamura**, Otsu (JP);
Masayoshi Uchida, Nagoya (JP)

(73) Assignee: **Shachihata Inc.**, Nagoya-shi, Aichi (JP)

(**) Term: **14 Years**

(21) Appl. No.: **29/266,821**

(22) Filed: **Sep. 29, 2006**

(30) **Foreign Application Priority Data**

Mar. 31, 2006 (JP) 2006-008343

(51) **LOC (8) Cl.** **08-08**

(52) **U.S. Cl.** **D8/394**

(58) **Field of Classification Search** D8/394,
D8/396; 24/16 PB, 69 CD, 115 H, 115 G,
24/68

See application file for complete search history.

(56) **References Cited**

U.S. PATENT DOCUMENTS

3,147,508 A * 9/1964 Glynn 15/250.32

FOREIGN PATENT DOCUMENTS

JP D1233431 3/2005

* cited by examiner

Primary Examiner—Holly H. Baynham

(74) *Attorney, Agent, or Firm*—Jacobson Holman PLLC

(57) **CLAIM**

The ornamental design for a clip attachment, as shown and described.

DESCRIPTION

FIG. 1 is a perspective view of the present attachment for clip in a closed condition;

FIG. 2 is a right side view of the present attachment for clip in a closed condition;

FIG. 3 is a left side view of the present attachment for clip in a closed condition;

FIG. 4 is a front view of the present attachment for clip in a closed condition;

FIG. 5 is a rear view of the present attachment for clip in a closed condition;

FIG. 6 is a plan view of the present attachment for clip in a closed condition;

FIG. 7 is a bottom view of the present attachment for clip in a closed condition;

FIG. 8 is a cross section of the present attachment for clip taken along a line 8—8 in FIG. 6;

FIG. 9 is a cross section of the present attachment for clip taken along a line 9—9 in FIG. 6;

FIG. 10 is a cross section of the present attachment for clip taken along a line 10—10 in FIG. 6;

FIG. 11 is a cross section of the present attachment for clip taken along a line 11—11 in FIG. 6;

FIG. 12 is a right side view of the present attachment for clip in an open condition; and,

FIG. 13 is a perspective view of the present attachment for clip in an open condition.

1 Claim, 4 Drawing Sheets

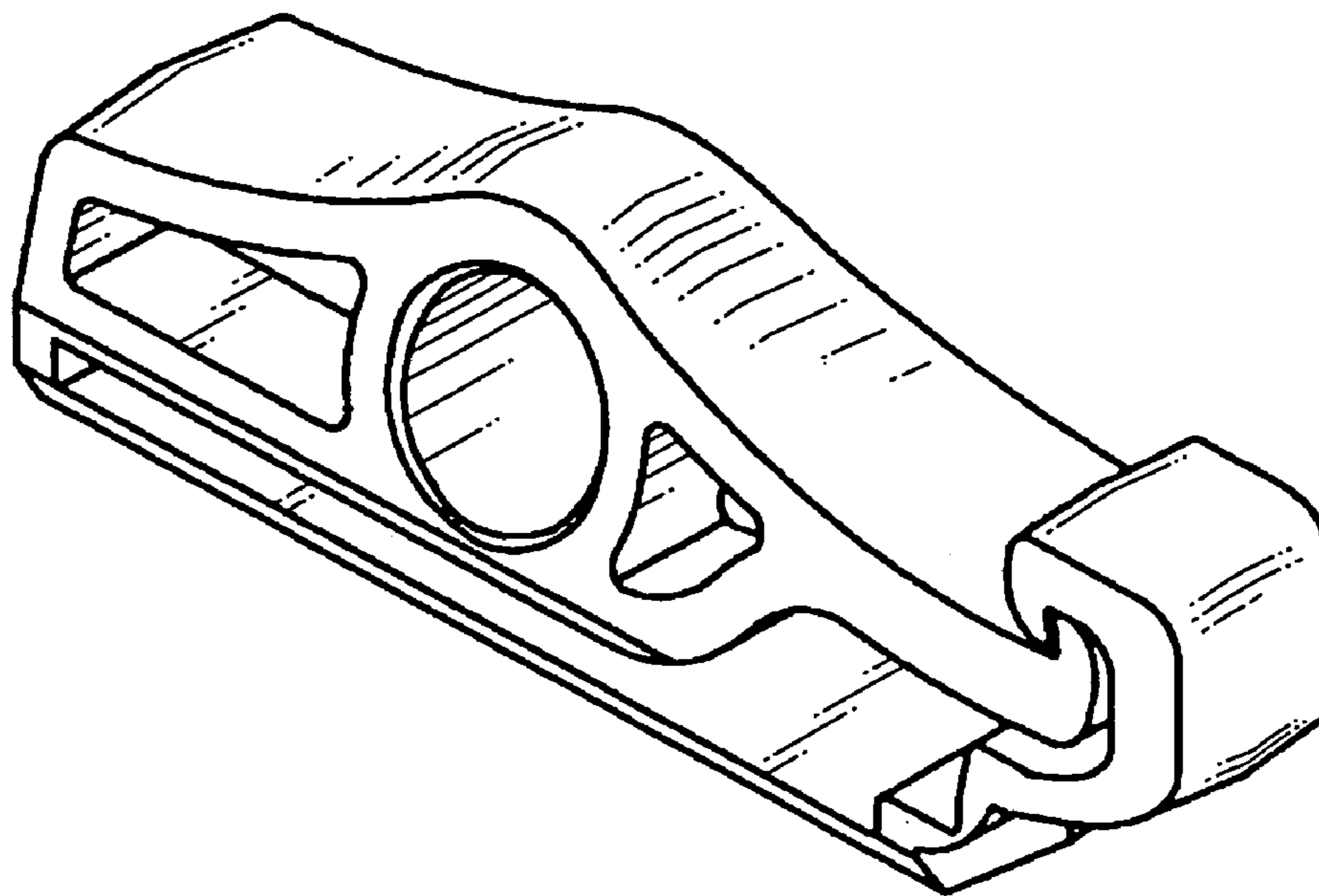


FIG.1

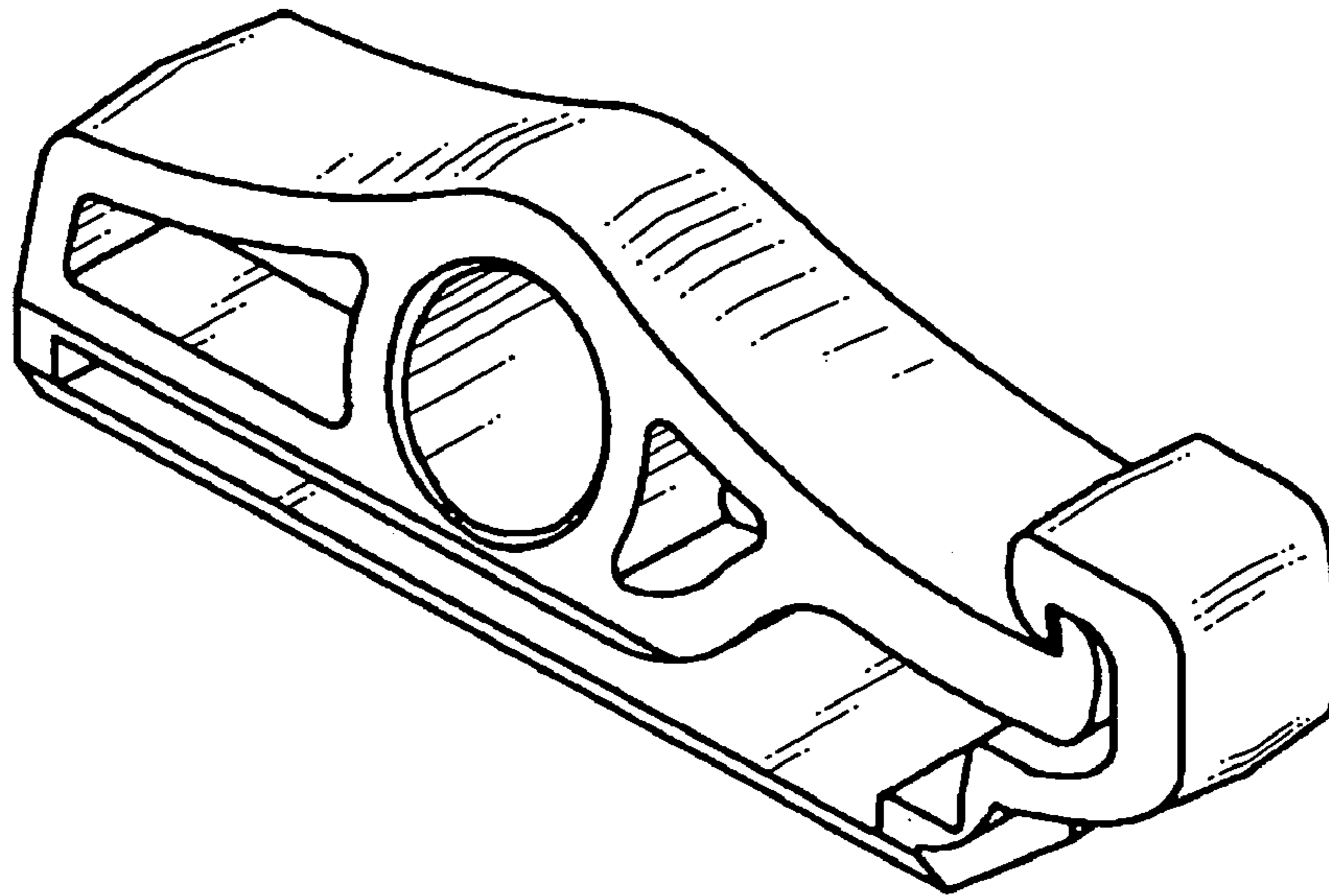


FIG.2

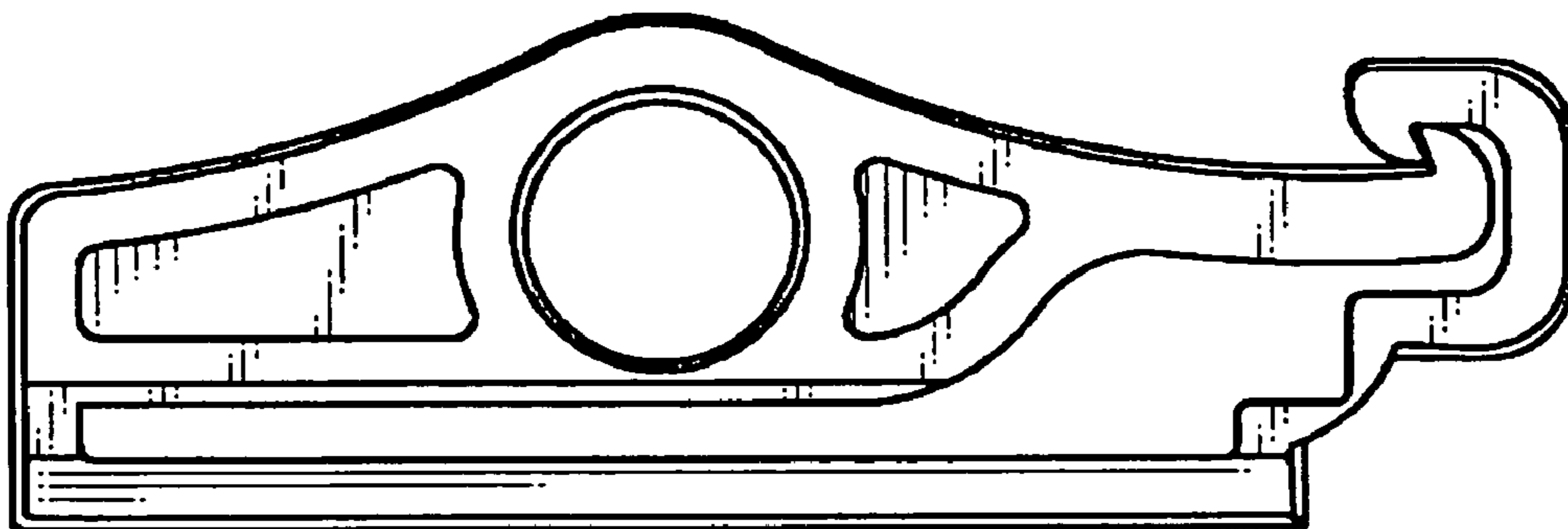


FIG.3

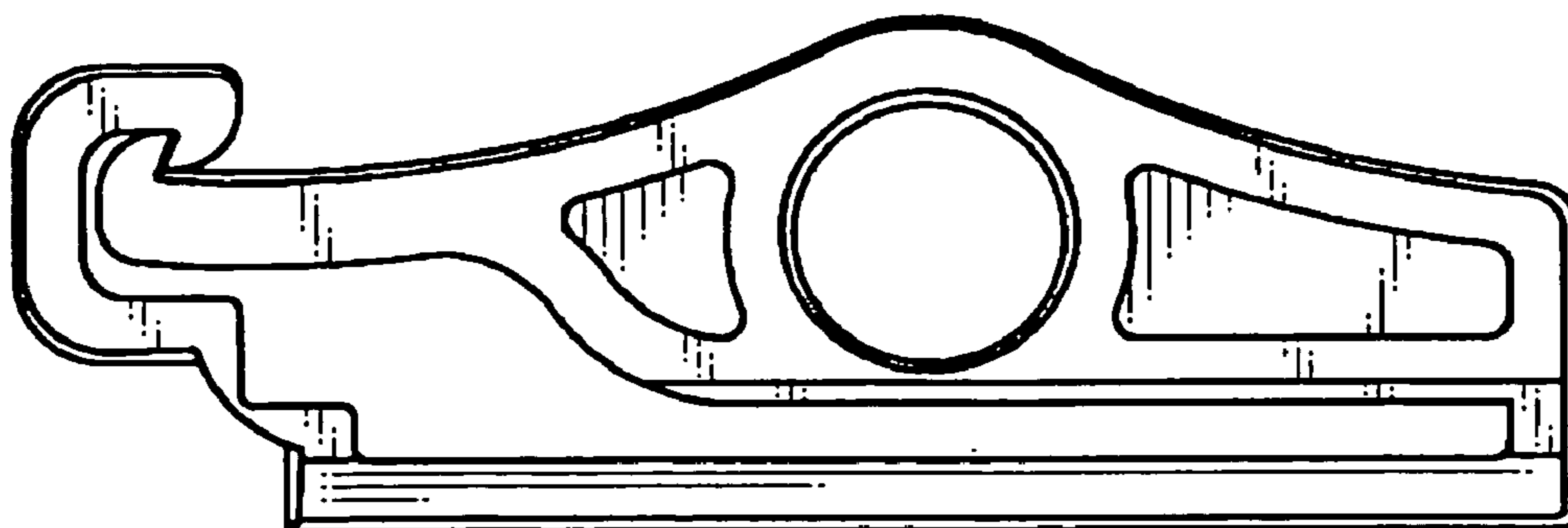


FIG.4

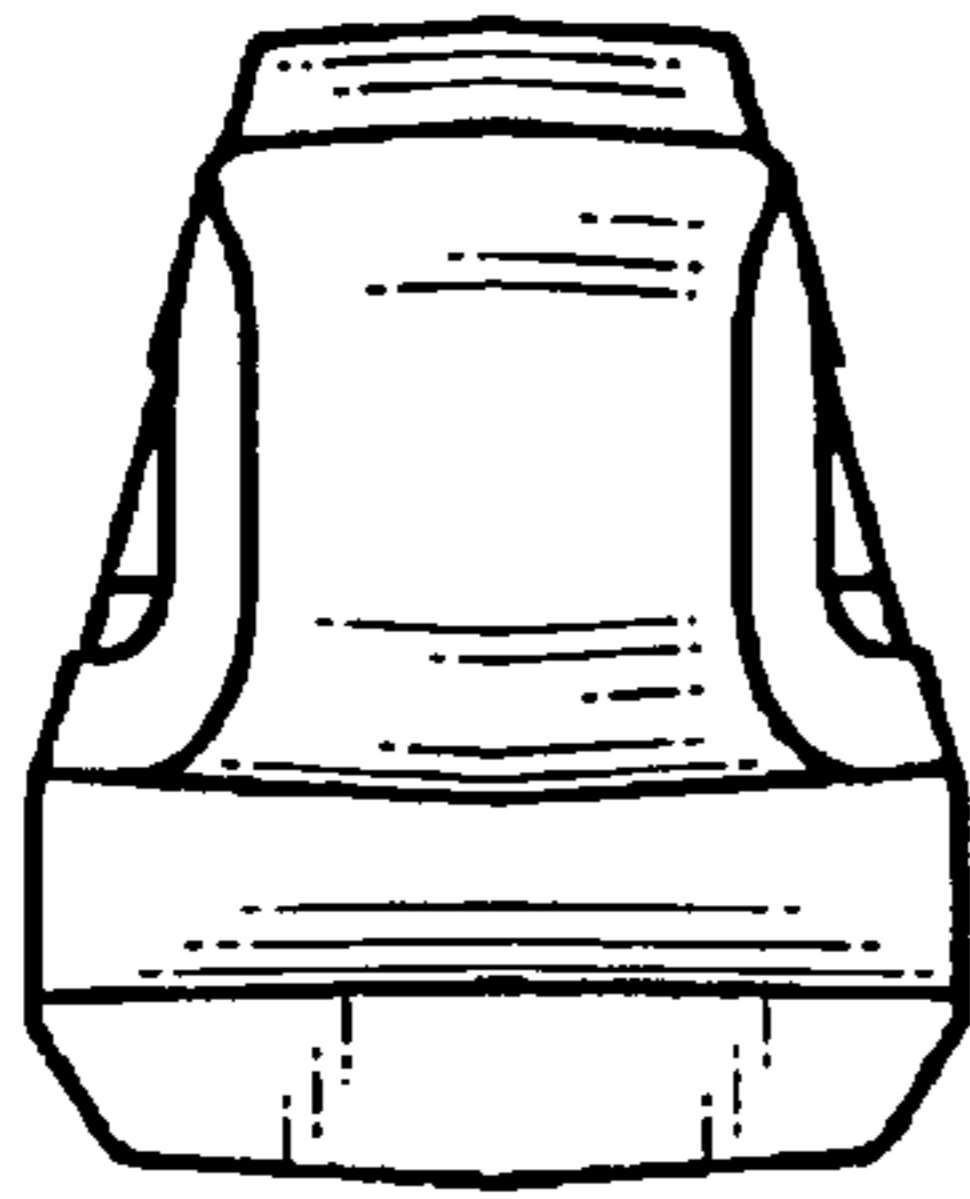


FIG.5

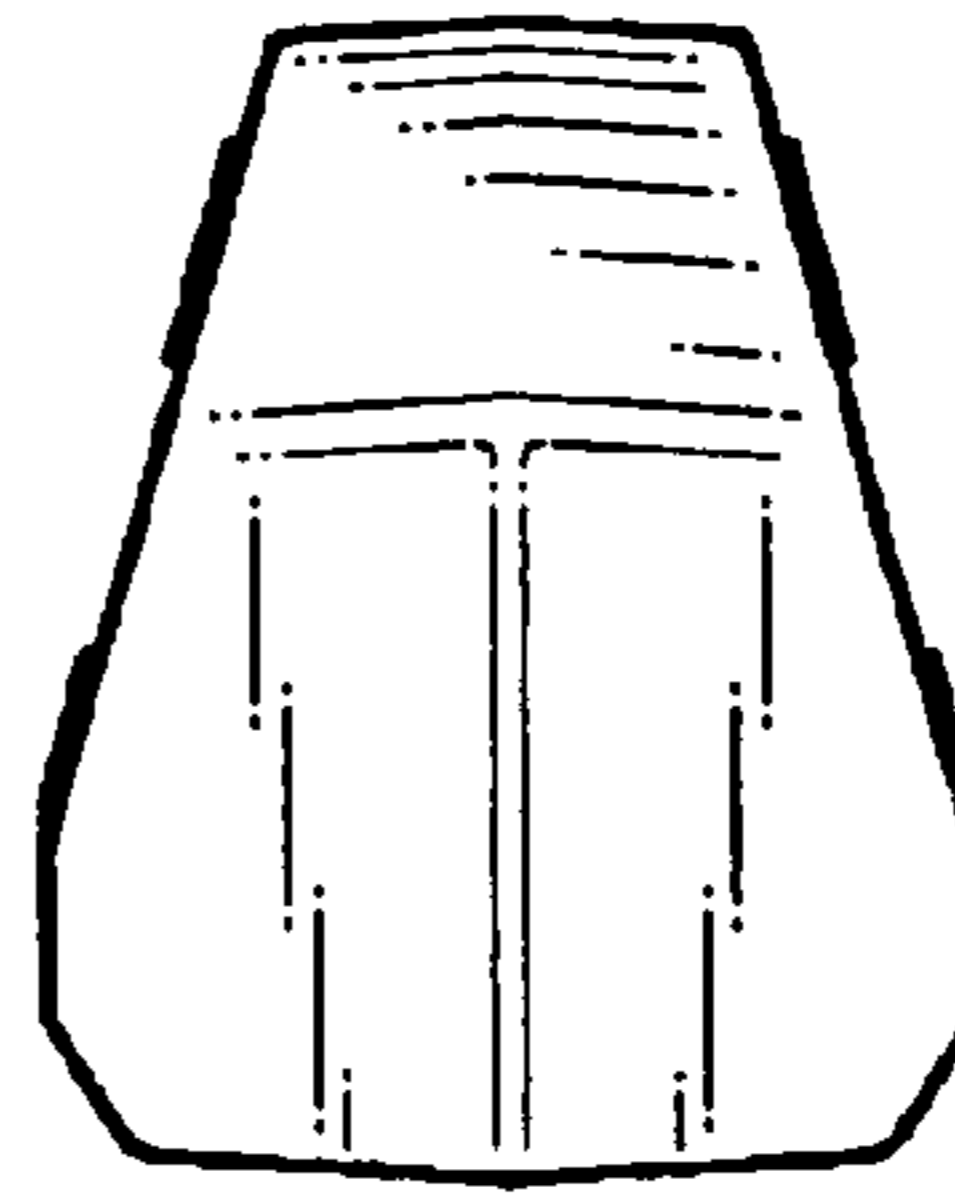


FIG.6

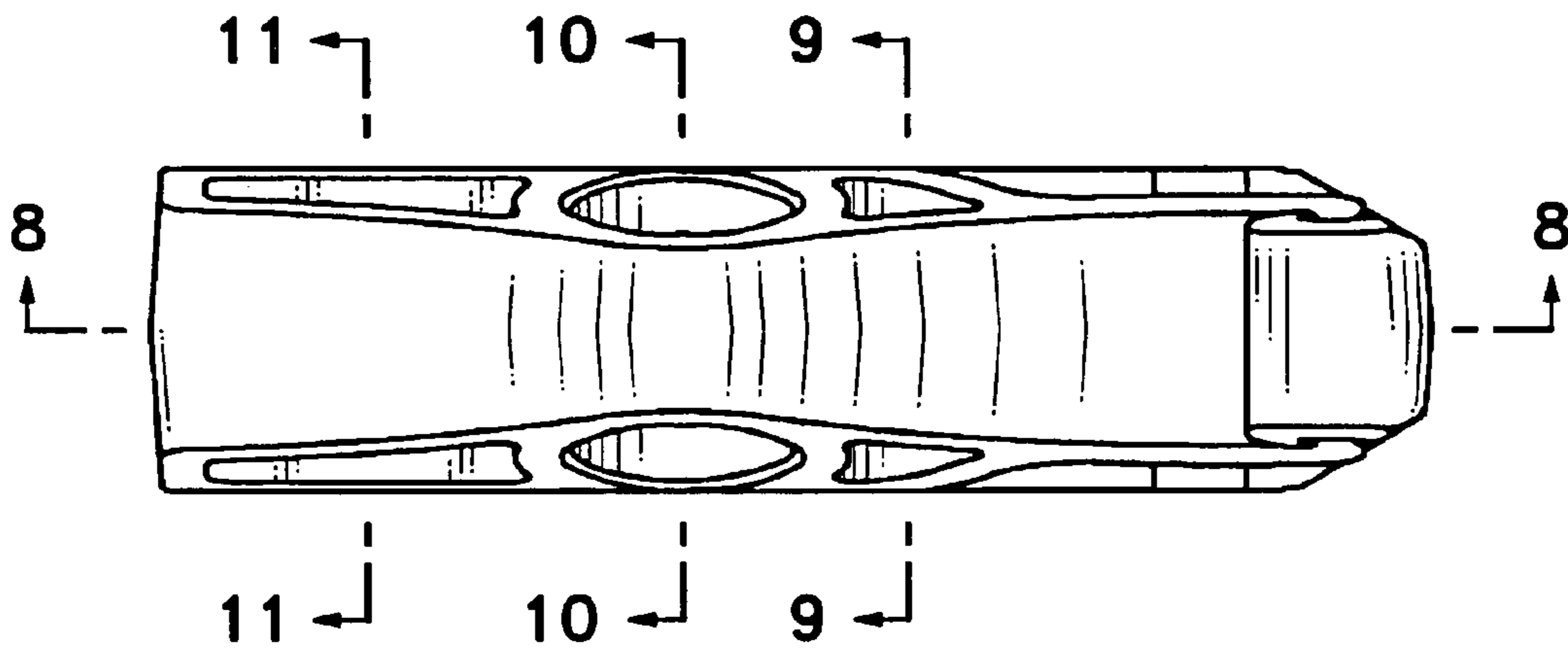


FIG.7

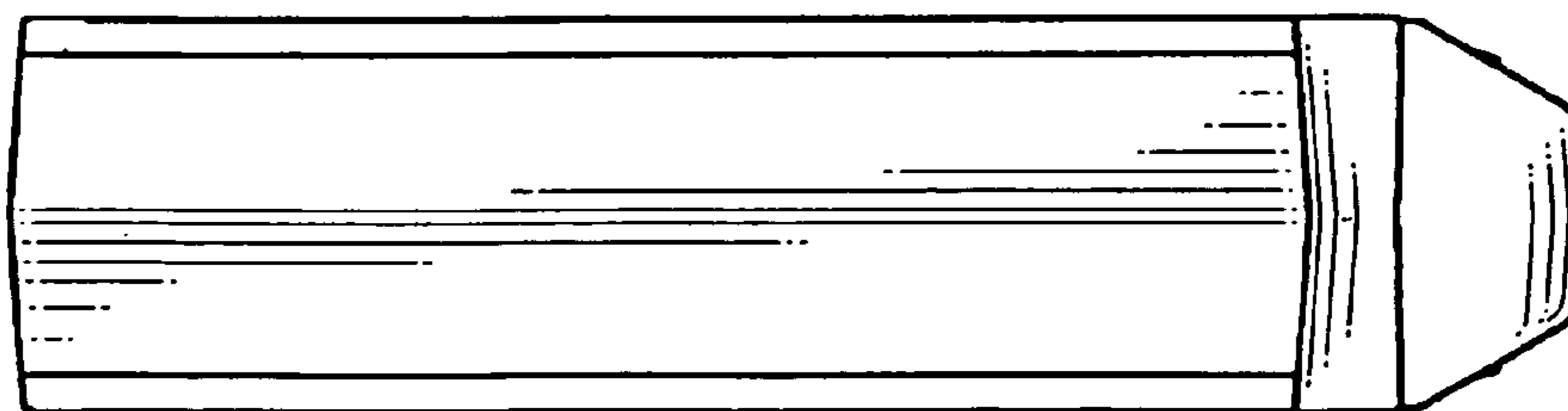


FIG.8

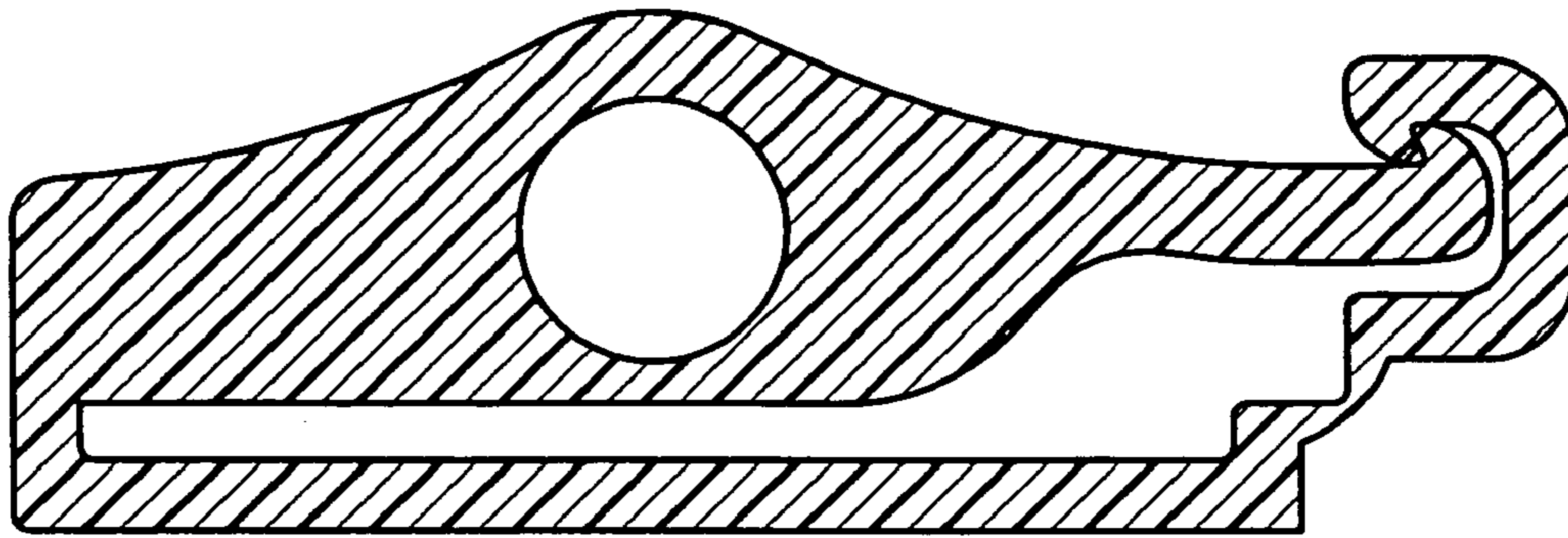


FIG.9

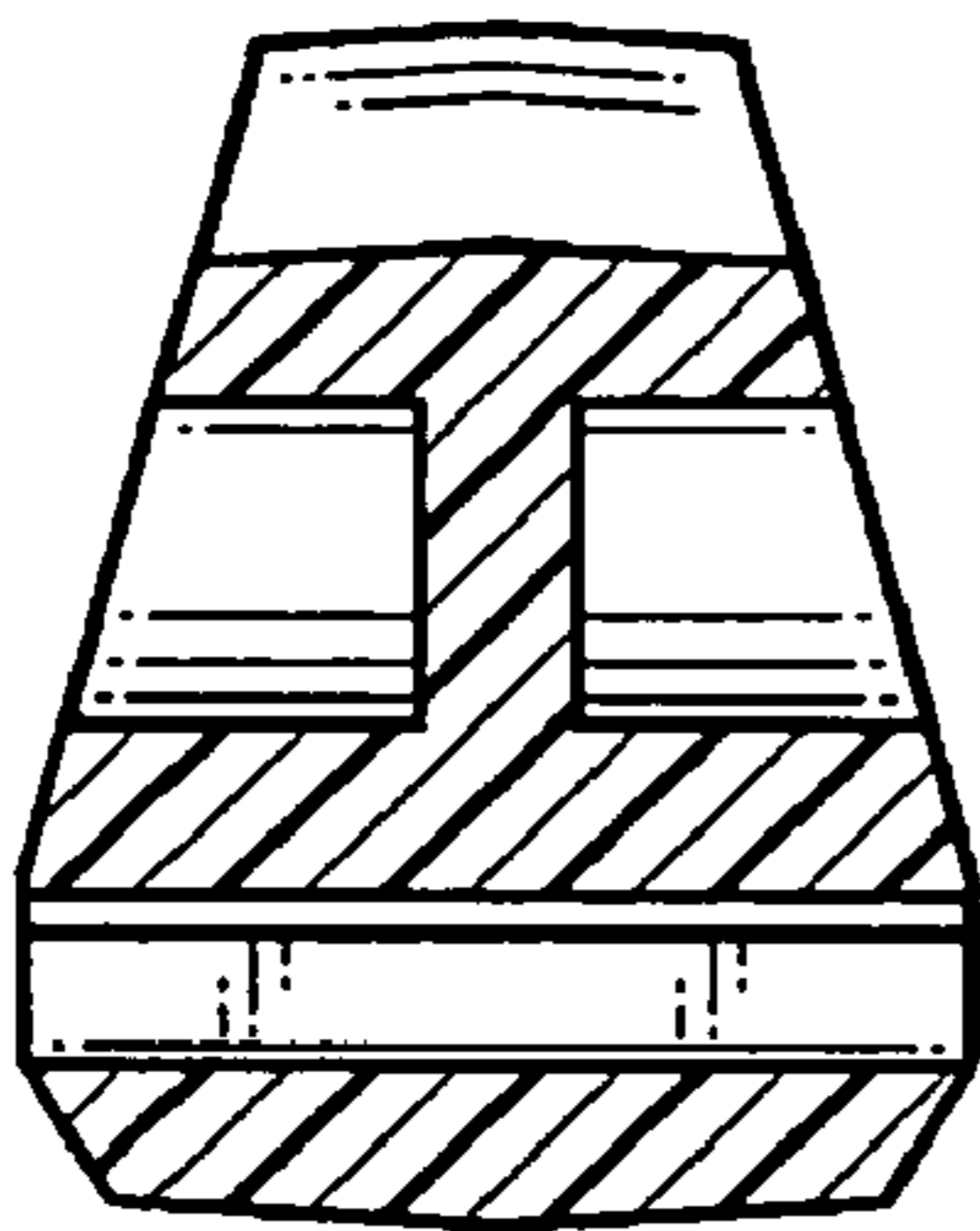


FIG.10

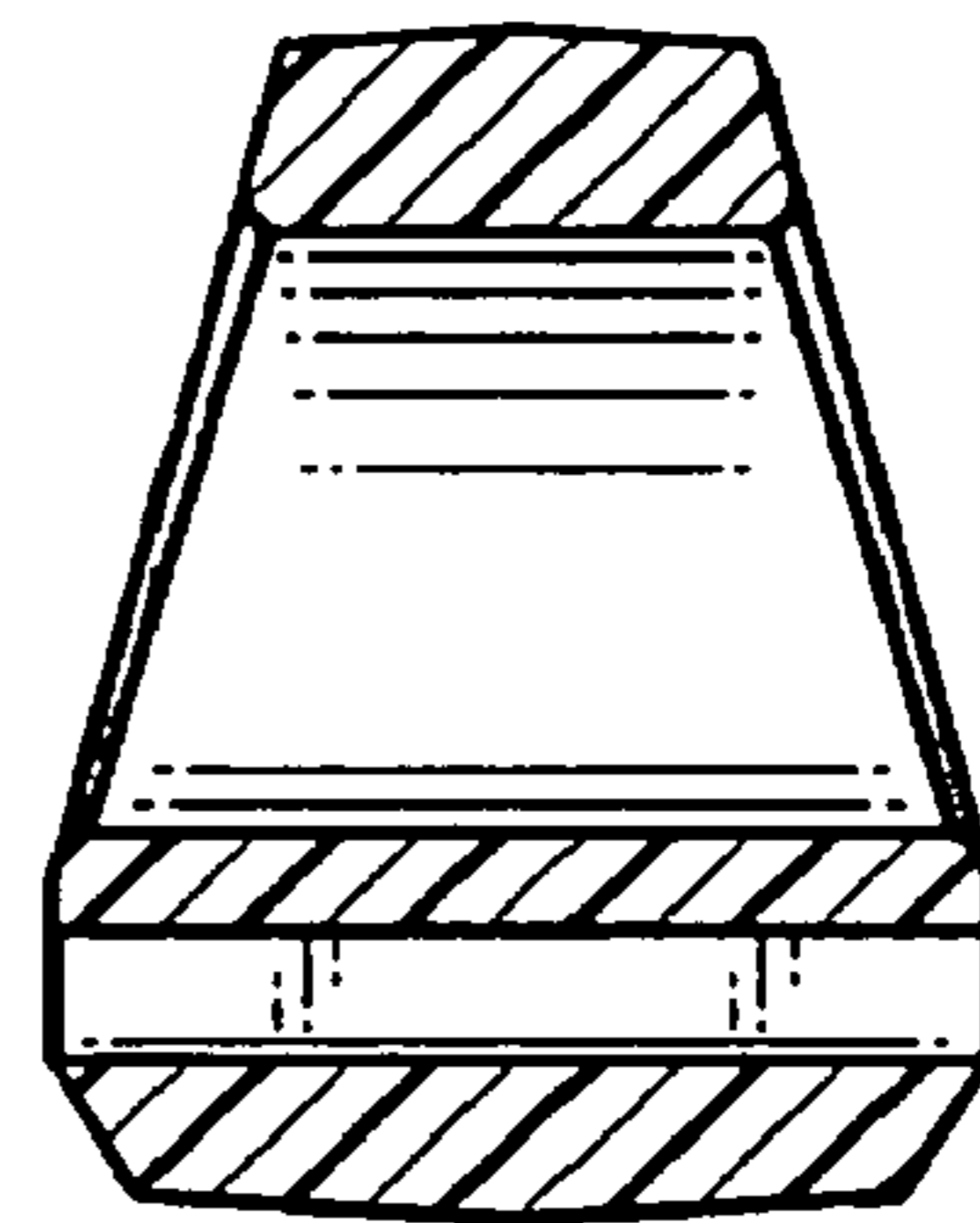


FIG.11

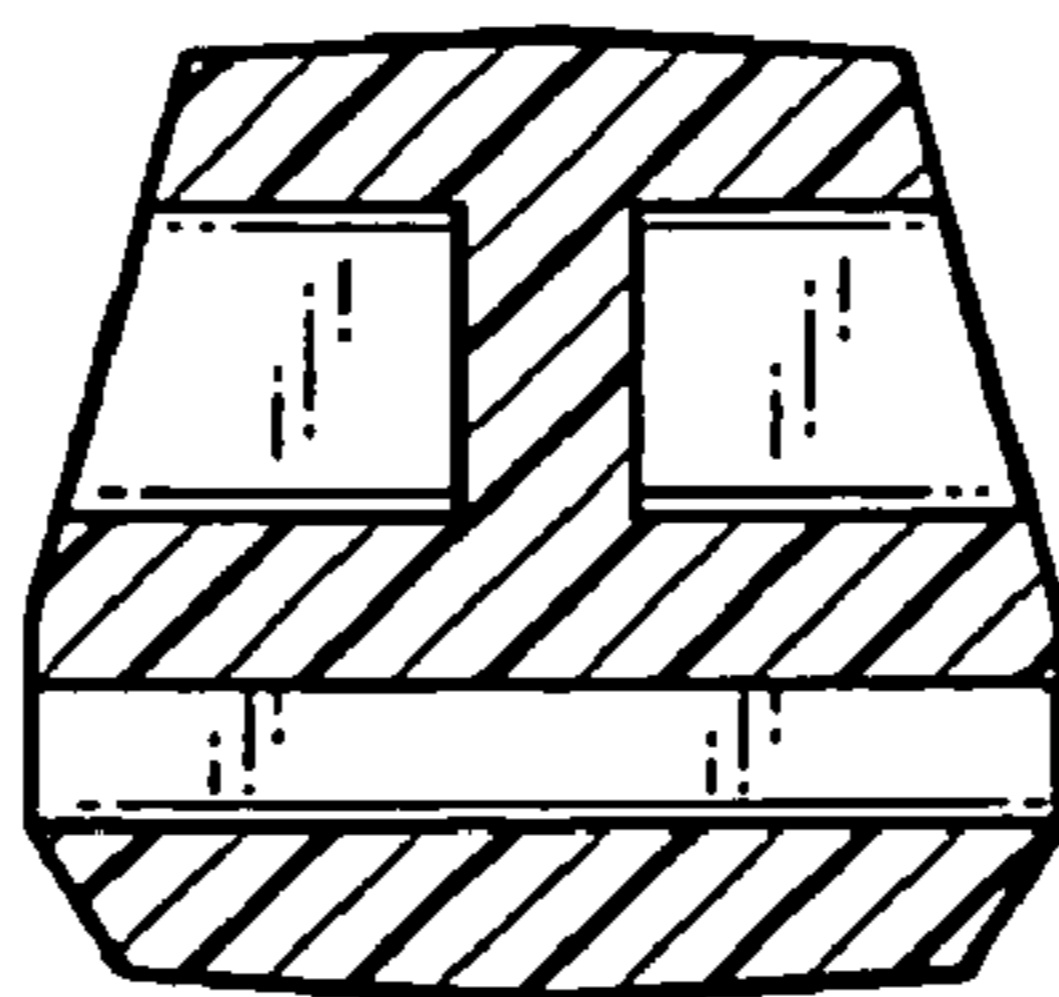


FIG.12

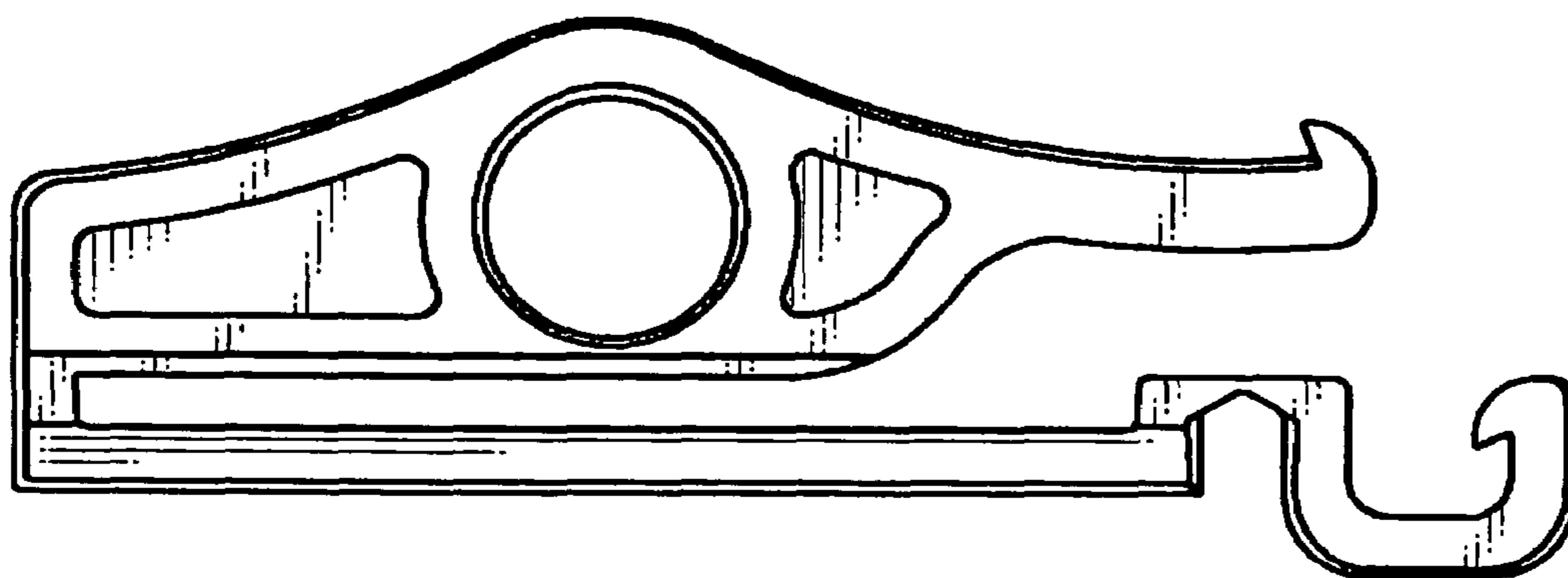


FIG.13

