

US00D569716S

(12) **United States Design Patent**
Kim

(10) **Patent No.:** **US D569,716 S**
(45) **Date of Patent:** **** May 27, 2008**

(54) **CONNECTING DEVICE FOR A
COMBUSTION FACILITATOR OF
INTERNAL/EXTERNAL COMBUSTION
ENGINE**

(76) Inventor: **Sang Kyeong Kim**, SangShin Manton
Da-203, 67-1, Gugi-dong, Jongno-gu,
Seoul (KR)

(**) Term: **14 Years**

(21) Appl. No.: **29/269,499**

(22) Filed: **Dec. 1, 2006**

(30) **Foreign Application Priority Data**

Jun. 2, 2006 (KR) 30-2006-0020419

(51) **LOC (8) Cl.** **08-08**

(52) **U.S. Cl.** **D8/382**

(58) **Field of Classification Search** D8/382;
D15/5

See application file for complete search history.

(56) **References Cited**

U.S. PATENT DOCUMENTS

D293,581 S * 1/1988 Brown D15/6

* cited by examiner

Primary Examiner—Holly H. Baynham

Assistant Examiner—Sheryl Friedman

(74) *Attorney, Agent, or Firm*—Frommer Lawrence & Haug
LLP; Ronald R. Santucci

(57) **CLAIM**

I claim, the ornamental design for a connecting device for a combustion facilitator of internal/external combustion engine, as shown and described.

DESCRIPTION

FIG. 1 is a front view of a connecting device for a combustion facilitator of internal/external combustion engine showing my new design;

FIG. 2 is a back view thereof;

FIG. 3 is a left side view thereof;

FIG. 4 is a right side view thereof;

FIG. 5 is a top view thereof;

FIG. 6 is a bottom view thereof;

FIG. 7 is a top-front-right side perspective exploded view thereof;

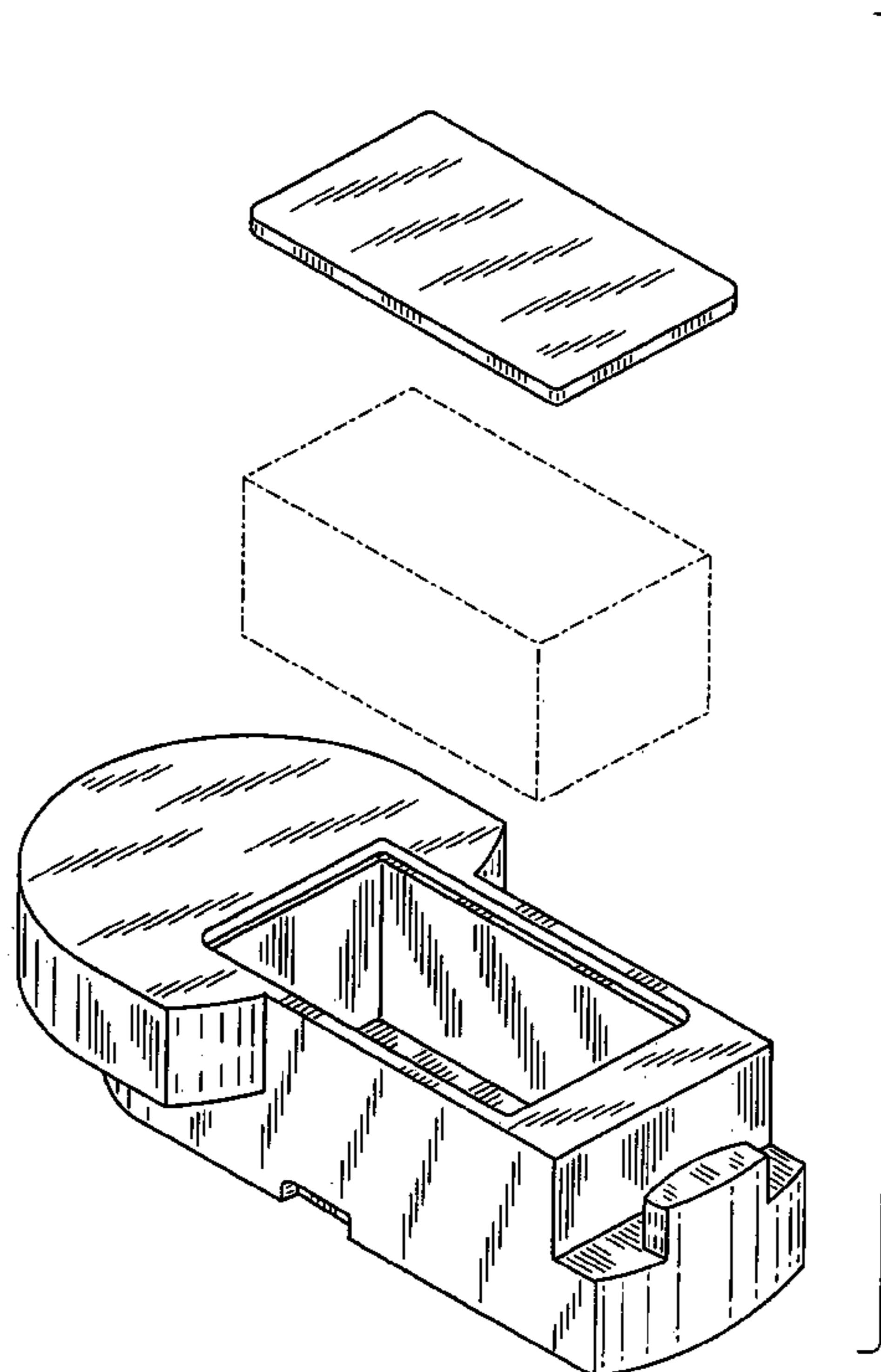
FIG. 8 is a bottom-back-right side perspective view thereof,

FIG. 9 is three of the connecting devices in perspective view thereof; and,

FIG. 10 is three of the connecting devices in a different perspective view thereof.

The broken line showing is for illustrative purposes only and forms no part of the claimed design.

1 Claim, 6 Drawing Sheets



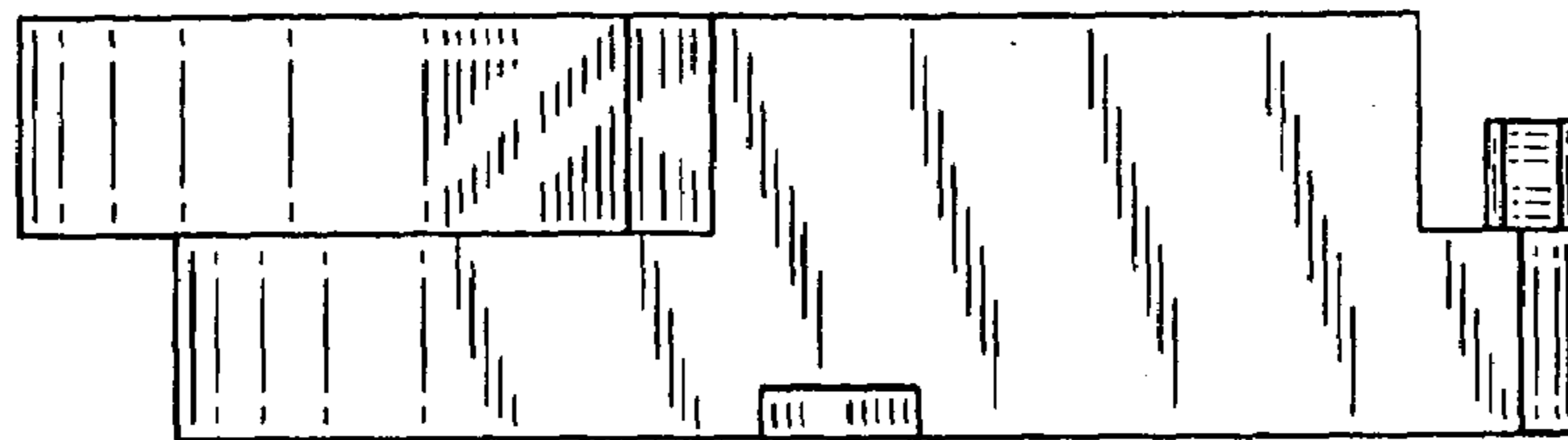


FIG. 1

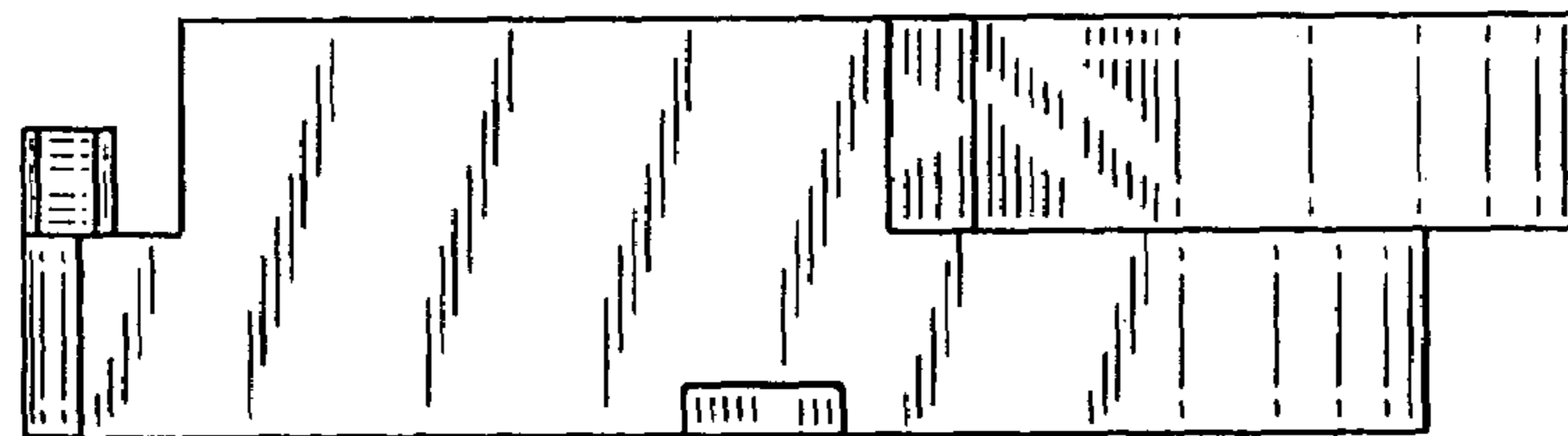


FIG. 2

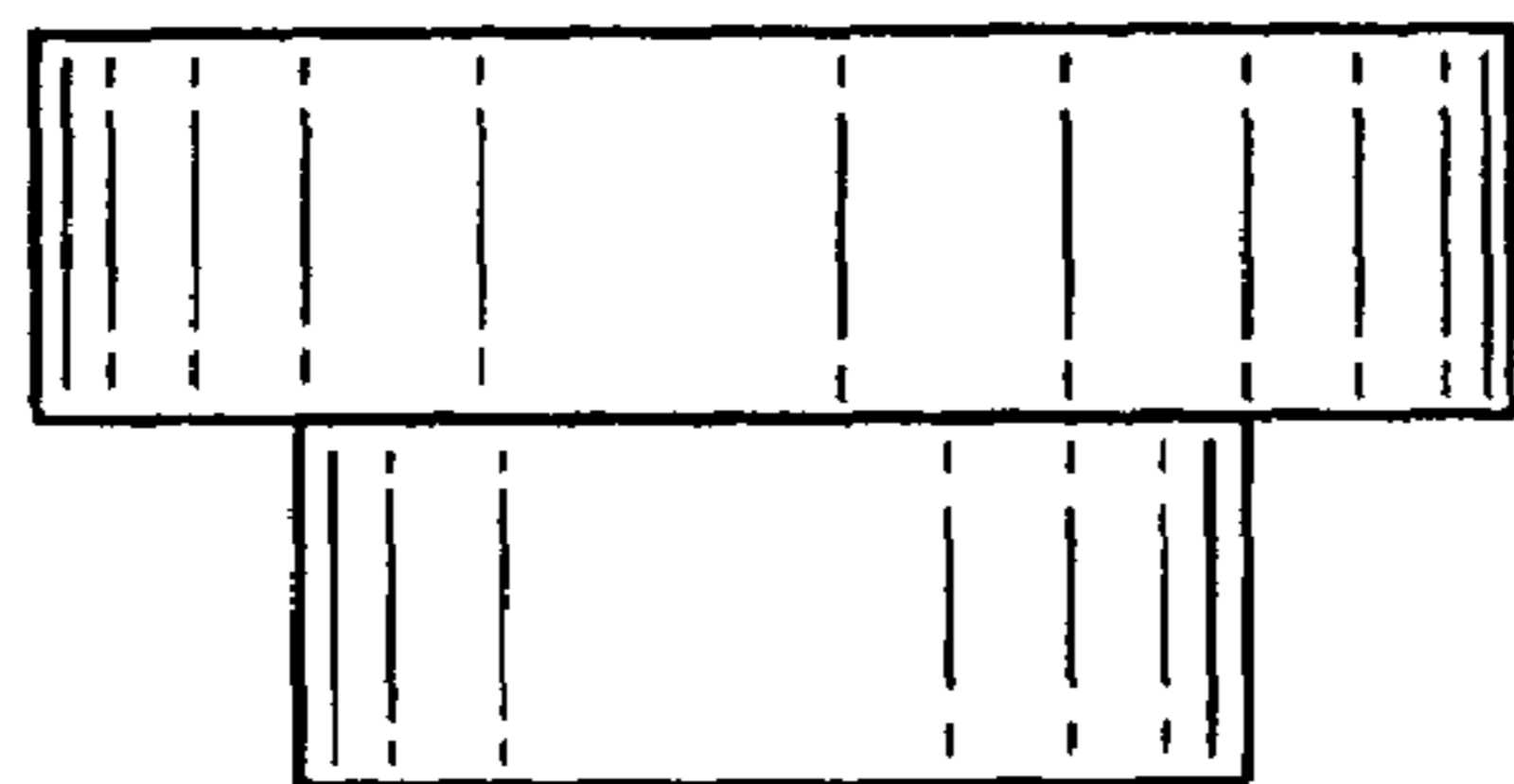


FIG. 3

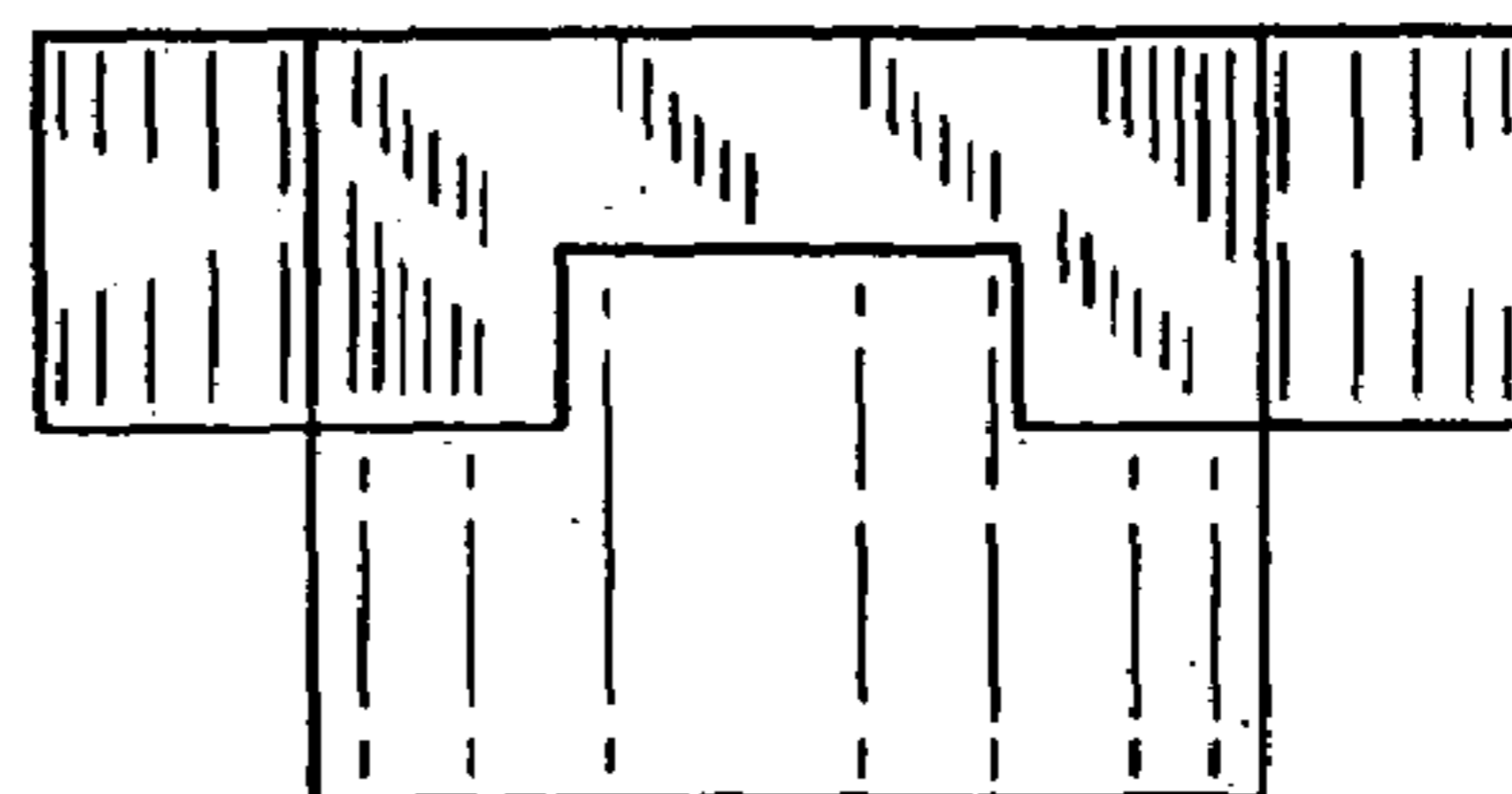


FIG. 4

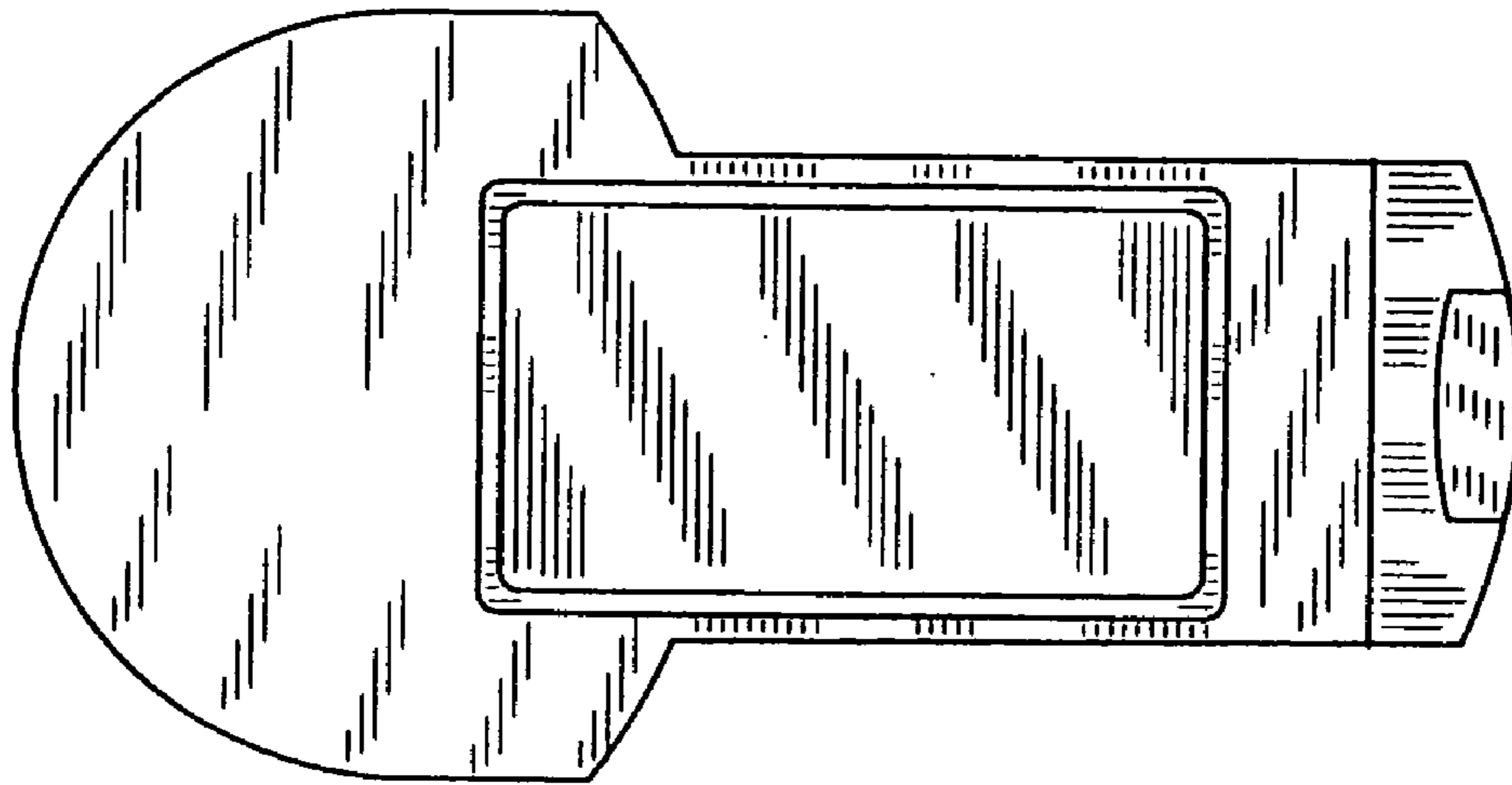


FIG. 5

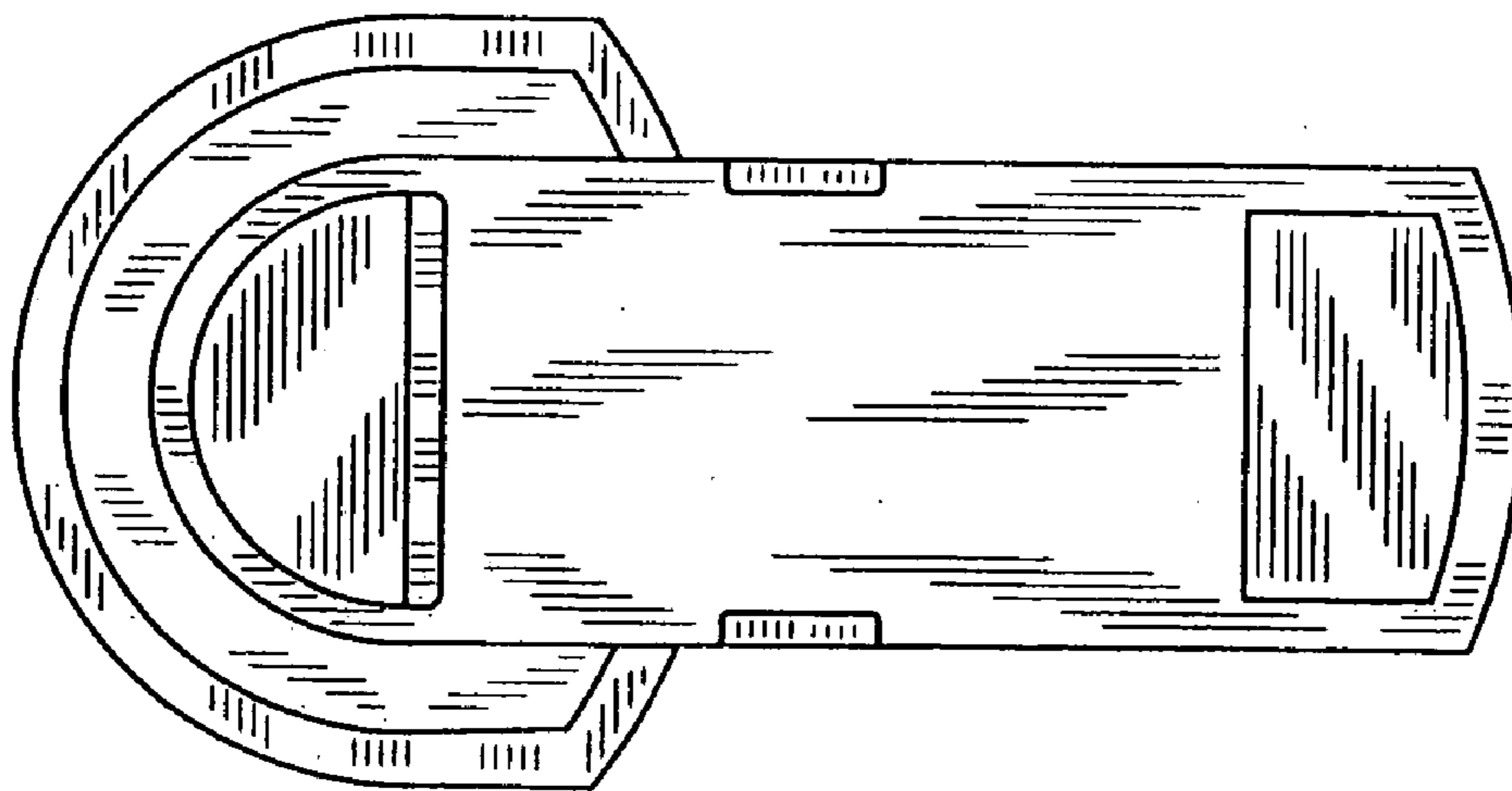


FIG. 6

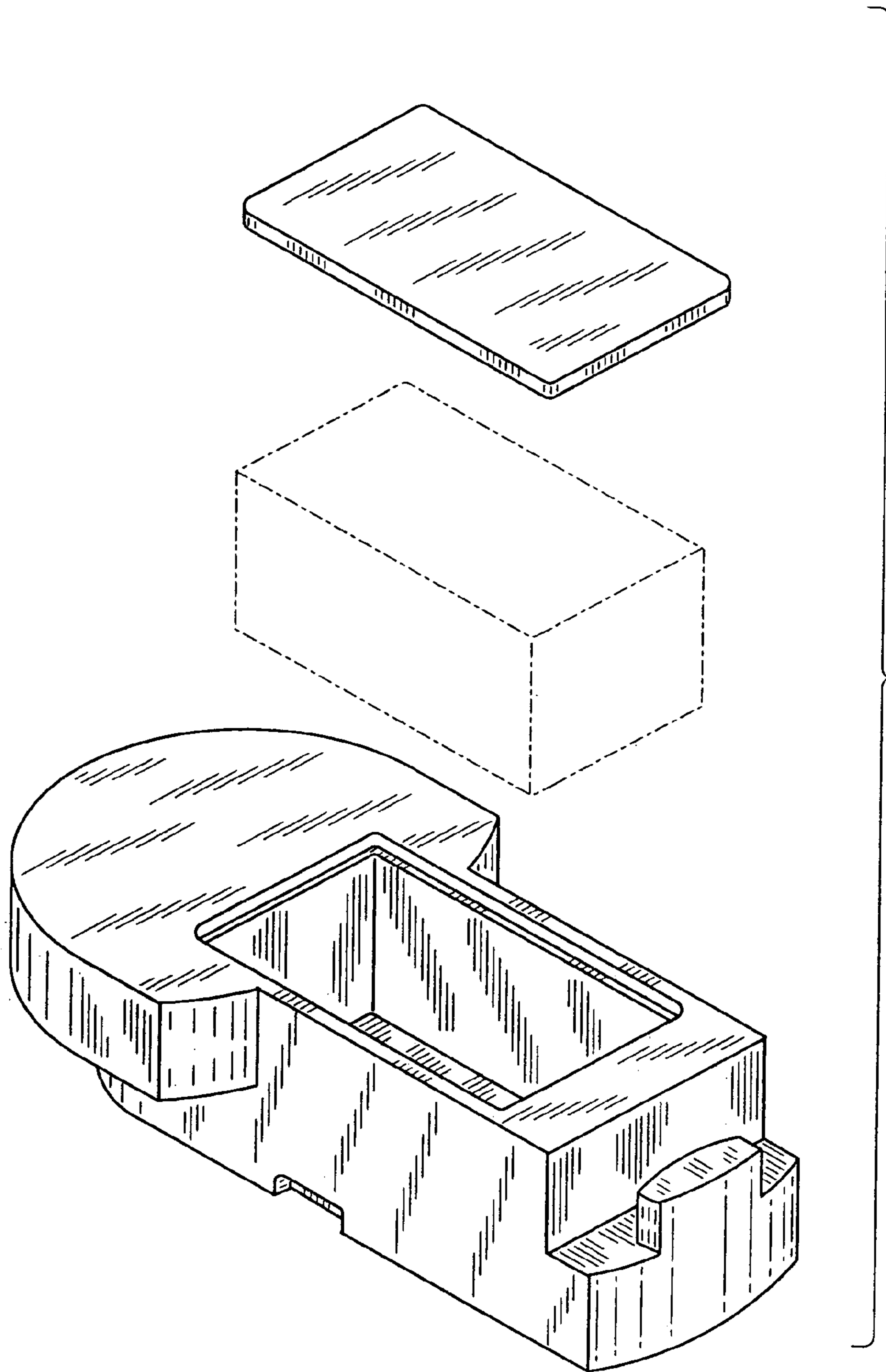


FIG. 7

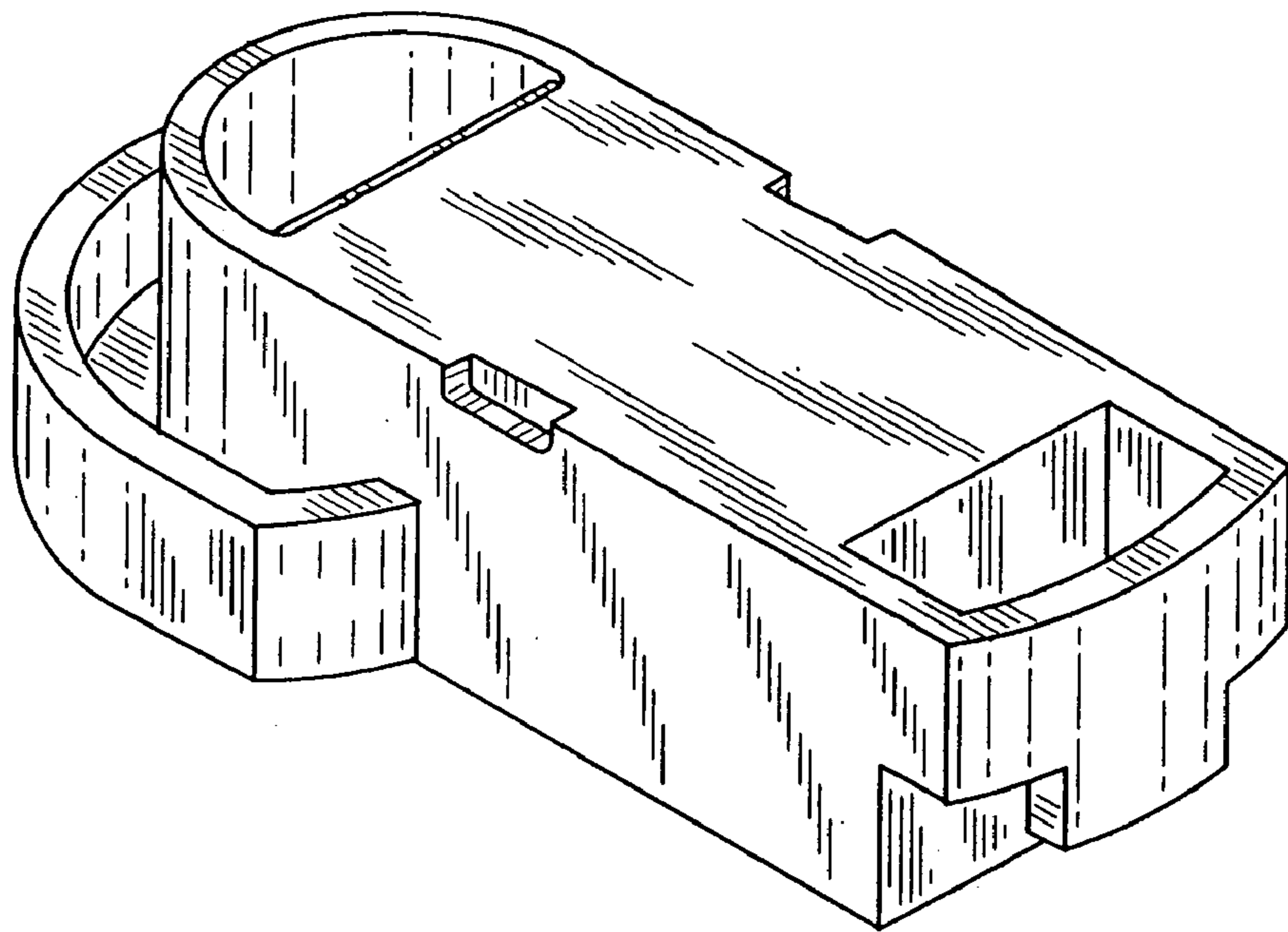


FIG. 8

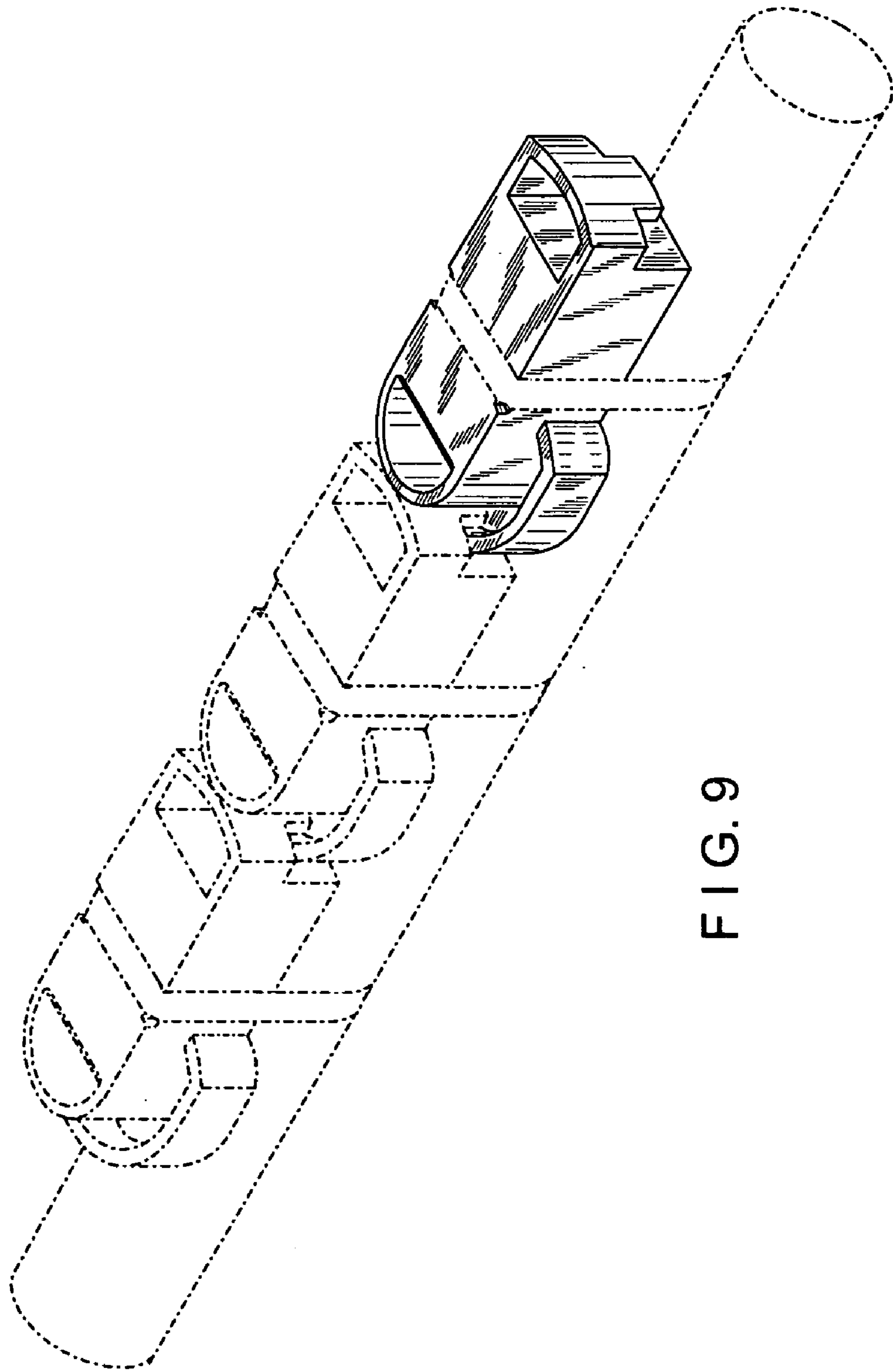


FIG. 9

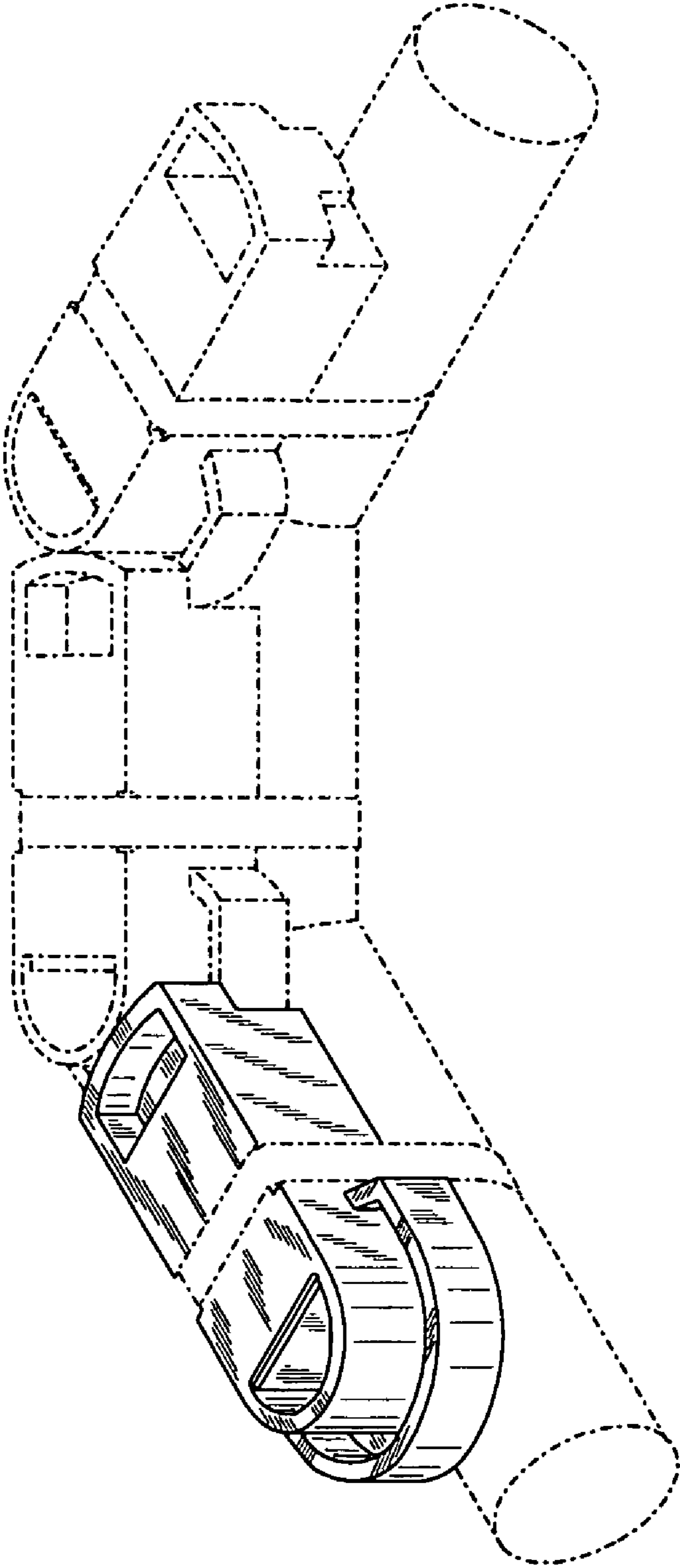


FIG. 10