

US00D569715S

(12) **United States Design Patent** (10) **Patent No.:** **US D569,715 S**
Fernandez (45) **Date of Patent:** **** May 27, 2008**

(54) **TRACK FOR A SHELVING SYSTEM**

4,783,035 A 11/1988 Remmers
D299,436 S 1/1989 Muth

(75) Inventor: **Julio A. Fernandez**, Doonnellon, FL
(US)

(Continued)

(73) Assignee: **Clairson, Inc.**, Newark, DE (US)

FOREIGN PATENT DOCUMENTS

(**) Term: **14 Years**

EP 0338872 A1 10/1989

(21) Appl. No.: **29/298,397**

(Continued)

(22) Filed: **Dec. 4, 2007**

OTHER PUBLICATIONS

(51) **LOC (8) Cl.** **08-05**

U.S. Appl. No. 11/014,663, filed Dec. 16, 2004, Remmers.

(52) **U.S. Cl.** **D8/377**

(Continued)

(58) **Field of Classification Search** D8/377,
D8/376; D25/43, 55, 119, 121, 124, 125,
D25/126, 136; 52/45; 160/45, 47, 87, 239;
256/12.5, 13, 13.1; 405/86, 95, 100, 105;
248/273; 135/88.1, 120.3

Primary Examiner—T. Chase Nelson
Assistant Examiner—Barbara B Lohr
(74) *Attorney, Agent, or Firm*—Harness, Dickey & Pierce,
P.L.C.

See application file for complete search history.

(57) **CLAIM**

(56) **References Cited**

The ornamental for a track for a shelving system, as shown and described.

U.S. PATENT DOCUMENTS

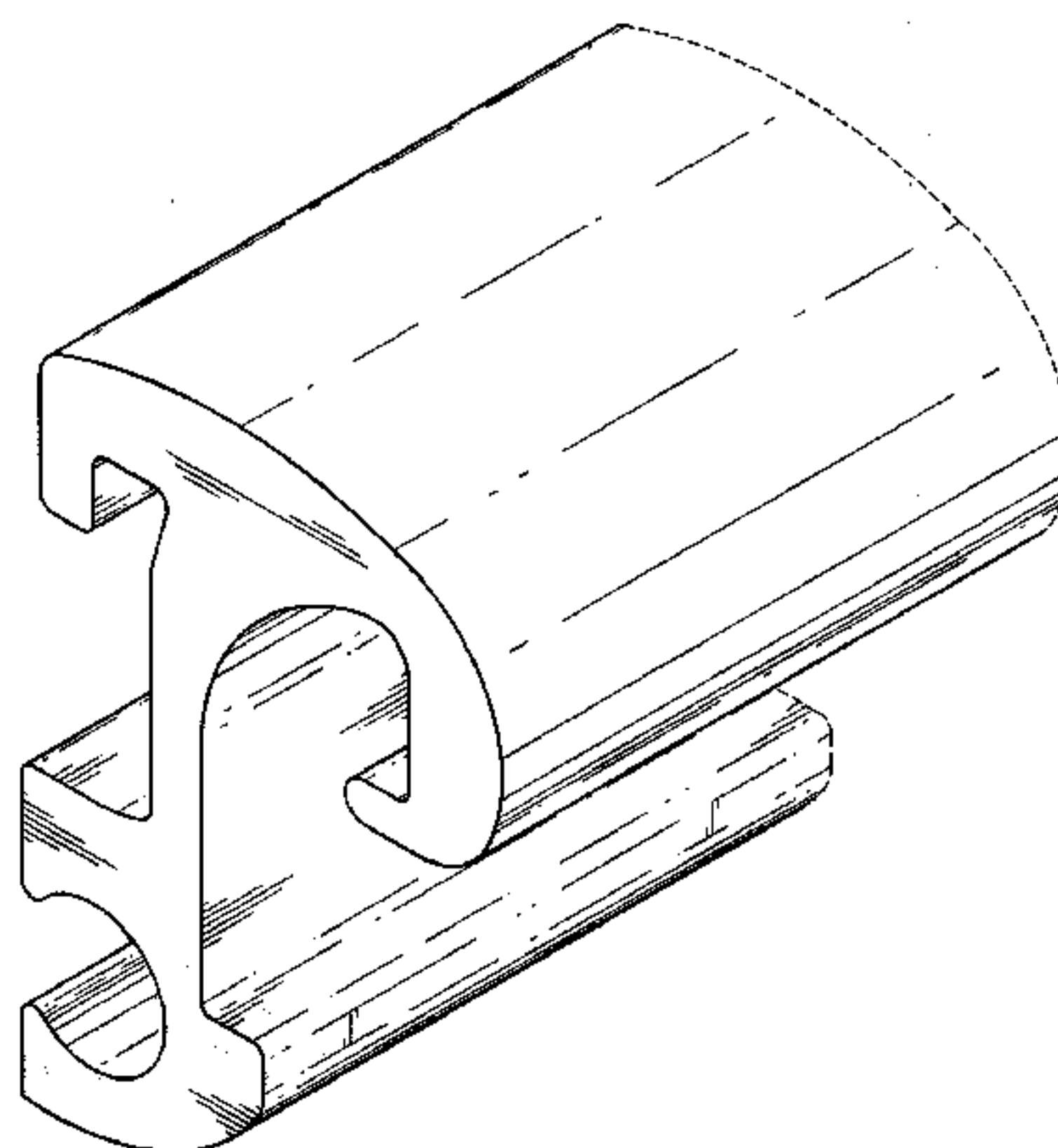
DESCRIPTION

1,793,036 A	2/1931	Whitney
2,266,274 A	12/1941	Schroeder
2,441,721 A	5/1948	Schroeder
3,499,541 A	3/1970	Mackie
3,563,182 A	2/1971	MacFarlane et al.
3,640,389 A	2/1972	Snyder
3,760,744 A	9/1973	Cruckshank
3,998,170 A	12/1976	Gordon
4,155,312 A	5/1979	Thorkildson
4,523,722 A	6/1985	Cohen et al.
4,533,056 A	8/1985	Krikorian
4,548,327 A	10/1985	Kilkelly
4,603,781 A	8/1986	Ryan, Jr.
4,646,998 A	3/1987	Pate
4,693,380 A	9/1987	Muth
4,708,552 A	11/1987	Bustos et al.
4,732,284 A	3/1988	Remmers
D295,182 S	4/1988	Remmers
4,735,325 A	4/1988	Remmers
D295,472 S	5/1988	Remmers
4,781,349 A	11/1988	Remmers

FIG. 1 is a front perspective view of a track for a shelving system of no specific length, showing my new design;
FIG. 2 is a back perspective view of no specific length, thereof;
FIG. 3 is a left side view of no specific length, thereof;
FIG. 4 is a right side view of no specific length, thereof;
FIG. 5 is a back view of no specific length, thereof;
FIG. 6 is a front view of no specific length, thereof;
FIG. 7 is a bottom view of no specific length, thereof; and,
FIG. 8 is a top view of no specific length, thereof.

The broken line border indicates that a specific length of track for a shelving system forms no part of the claimed design.

1 Claim, 8 Drawing Sheets



US D569,715 S

U.S. PATENT DOCUMENTS

4,795,041 A 1/1989 Remmers
 4,838,451 A 6/1989 Arkell et al.
 D305,272 S 12/1989 Remmers
 D310,775 S * 9/1990 Ruonala D8/377
 D311,860 S 11/1990 Remmers
 D312,389 S 11/1990 Remmers
 5,074,223 A 12/1991 Remmers
 5,086,936 A 2/1992 Remmers
 D334,497 S 4/1993 Putty
 D335,624 S * 5/1993 Siener D8/377
 D340,639 S 10/1993 Remmers
 5,326,062 A 7/1994 Remmers
 5,330,063 A 7/1994 Remmers
 5,351,842 A 10/1994 Remmers
 D353,500 S 12/1994 Remmers
 5,407,084 A 4/1995 Remmers
 5,492,295 A 2/1996 Remmers
 D369,293 S 4/1996 Gusdorf et al.
 5,531,416 A 7/1996 Remmers
 5,533,851 A 7/1996 Remmers
 D376,754 S * 12/1996 Livingston et al. D8/377
 5,580,018 A 12/1996 Remmers
 5,584,405 A 12/1996 Tunzi
 D380,142 S * 6/1997 Bosgoed D8/377
 5,752,610 A 5/1998 Remmers
 5,755,414 A 5/1998 Remmers
 5,758,851 A 6/1998 Remmers
 D408,175 S 4/1999 Daniels et al.
 D409,866 S 5/1999 West
 5,909,936 A 6/1999 Daniels et al.
 5,921,412 A 7/1999 Merl
 D423,917 S 5/2000 Remmers et al.
 D427,466 S 7/2000 Remmers
 D437,515 S 2/2001 Remmers et al.
 6,279,467 B1 8/2001 Tiemann
 D455,336 S * 4/2002 Anderson D8/377
 6,402,108 B1 6/2002 Remmers
 D463,578 S * 9/2002 Wall D25/121
 6,457,594 B1 10/2002 Tiemann
 6,467,860 B2 10/2002 Remmers
 6,494,653 B2 12/2002 Remmers
 D470,398 S 2/2003 Remmers
 D477,144 S 7/2003 Remmers
 6,626,509 B2 9/2003 Remmers
 6,669,154 B1 12/2003 Remmers
 D495,592 S * 9/2004 Mausar et al. D8/377
 6,840,593 B2 1/2005 Remmers
 D502,090 S * 2/2005 Castellanos D8/377
 6,915,913 B2 7/2005 Cardinell
 6,953,176 B2 10/2005 Remmers
 7,004,335 B2 2/2006 Remmers
 D518,900 S * 4/2006 Barnett D25/119
 7,021,730 B2 4/2006 Remmers
 D522,848 S 6/2006 Nawrocki
 D522,852 S 6/2006 Nawrocki
 D525,811 S 8/2006 Nawrocki
 D526,519 S 8/2006 Nawrocki

D526,887 S 8/2006 Remmers et al.
 7,086,543 B2 8/2006 Remmers
 7,090,317 B2 8/2006 Remmers
 D527,559 S 9/2006 Remmers
 D527,935 S 9/2006 Remmers
 D531,891 S 11/2006 Nawrocki
 7,174,605 B1 2/2007 Nawrocki
 D537,961 S * 3/2007 Chaput D25/119
 D539,440 S * 3/2007 Collishaw D25/119
 7,185,772 B2 3/2007 Remmers
 7,188,740 B2 3/2007 Marchetta et al.
 D543,094 S 5/2007 Remmers
 7,225,237 B1 5/2007 Tenereillo
 D544,260 S 6/2007 Nawrocki
 D544,261 S 6/2007 Nawrocki
 D545,671 S * 7/2007 Costa D8/377
 D547,163 S 7/2007 Xayoiphonh
 D547,164 S 7/2007 Xayoiphonh
 D547,640 S 7/2007 Remmers
 D547,883 S * 7/2007 Aughton et al. D25/119
 7,240,803 B2 7/2007 Stitchick et al.
 D550,540 S 9/2007 Nawrocki
 D551,062 S 9/2007 Nawrocki
 D551,884 S 10/2007 Remmers
 7,296,697 B2 11/2007 Costa et al.
 7,314,144 B2 1/2008 Stitchick et al.
 2005/0109720 A1 5/2005 Marchetta
 2005/0145147 A1 7/2005 Costa et al.
 2005/0247651 A1 11/2005 Craft
 2006/0011568 A1 1/2006 Remmers et al.
 2006/0113443 A1 6/2006 Remmers
 2007/0023374 A1 2/2007 Nawrocki
 2007/0068887 A1 3/2007 Nawrocki
 2007/0101545 A1 5/2007 Nawrocki
 2007/0102604 A1 5/2007 Nawrocki
 2007/0108146 A1 5/2007 Nawrocki
 2007/0108148 A1 5/2007 Stitchick et al.
 2007/0114197 A1 5/2007 Remmers
 2007/0114348 A1 5/2007 Nawrocki
 2007/0119805 A1 5/2007 Nawrocki
 2007/0137417 A1 6/2007 Nawrocki et al.
 2007/0159040 A1 7/2007 Fernandez et al.
 2007/0187561 A1 8/2007 Xayoiphonh
 2007/0205172 A1 9/2007 Stitchick et al.

FOREIGN PATENT DOCUMENTS

FR 2717994 A1 10/1995
 GB 2153205 A 8/1985
 GB 2180141 A 3/1987
 GB 2229625 A 10/1990
 JP 10002663 1/1998
 WO WO 2004/056236 7/2004

OTHER PUBLICATIONS

U.S. Appl. No. 11/933,694, filed Nov. 1, 2007, Nawrocki.
 U.S. Appl. No. 29/252,059, filed Jan. 18, 2006, Nawrocki.

* cited by examiner

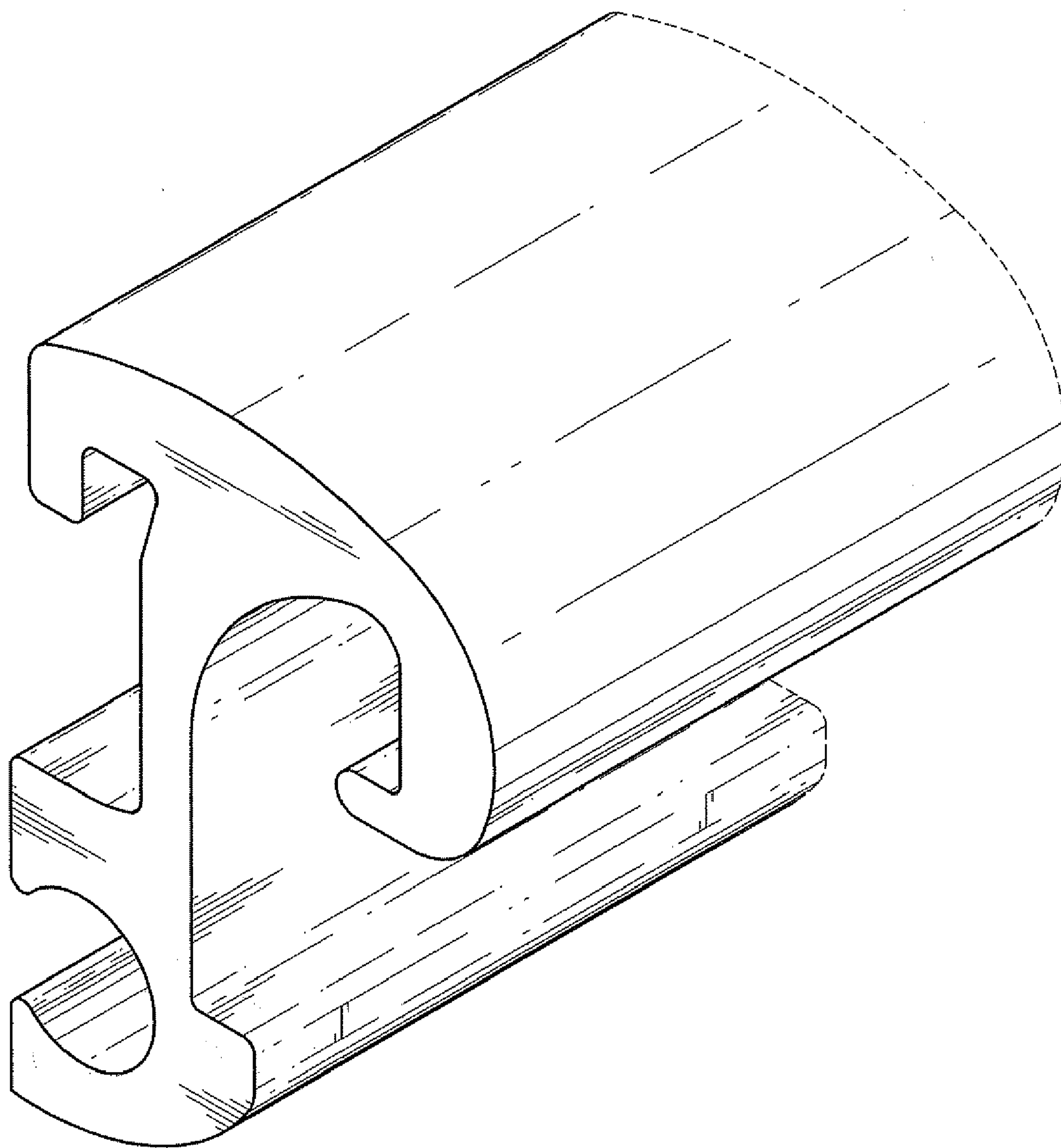


FIG. 1

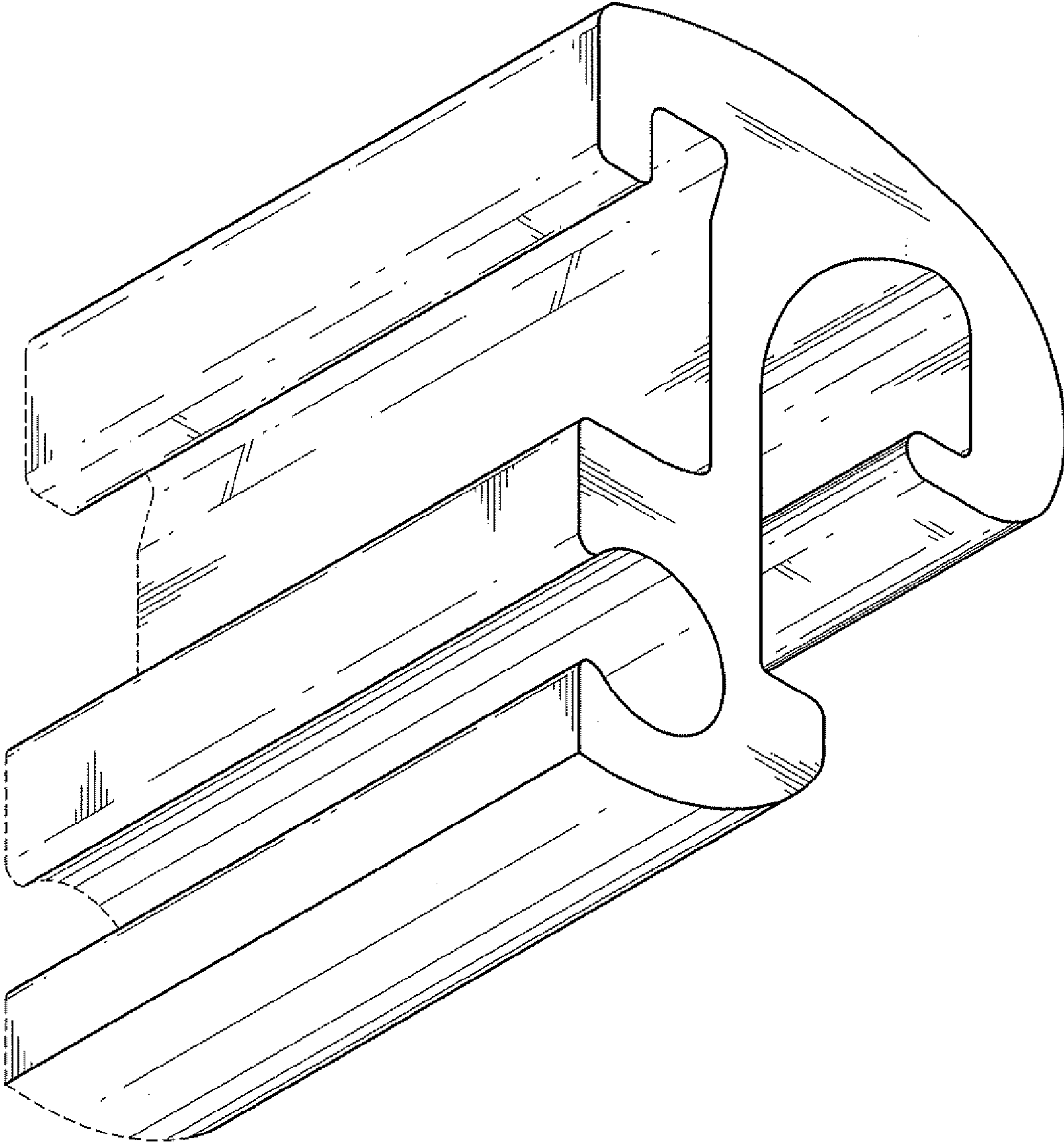


FIG. 2

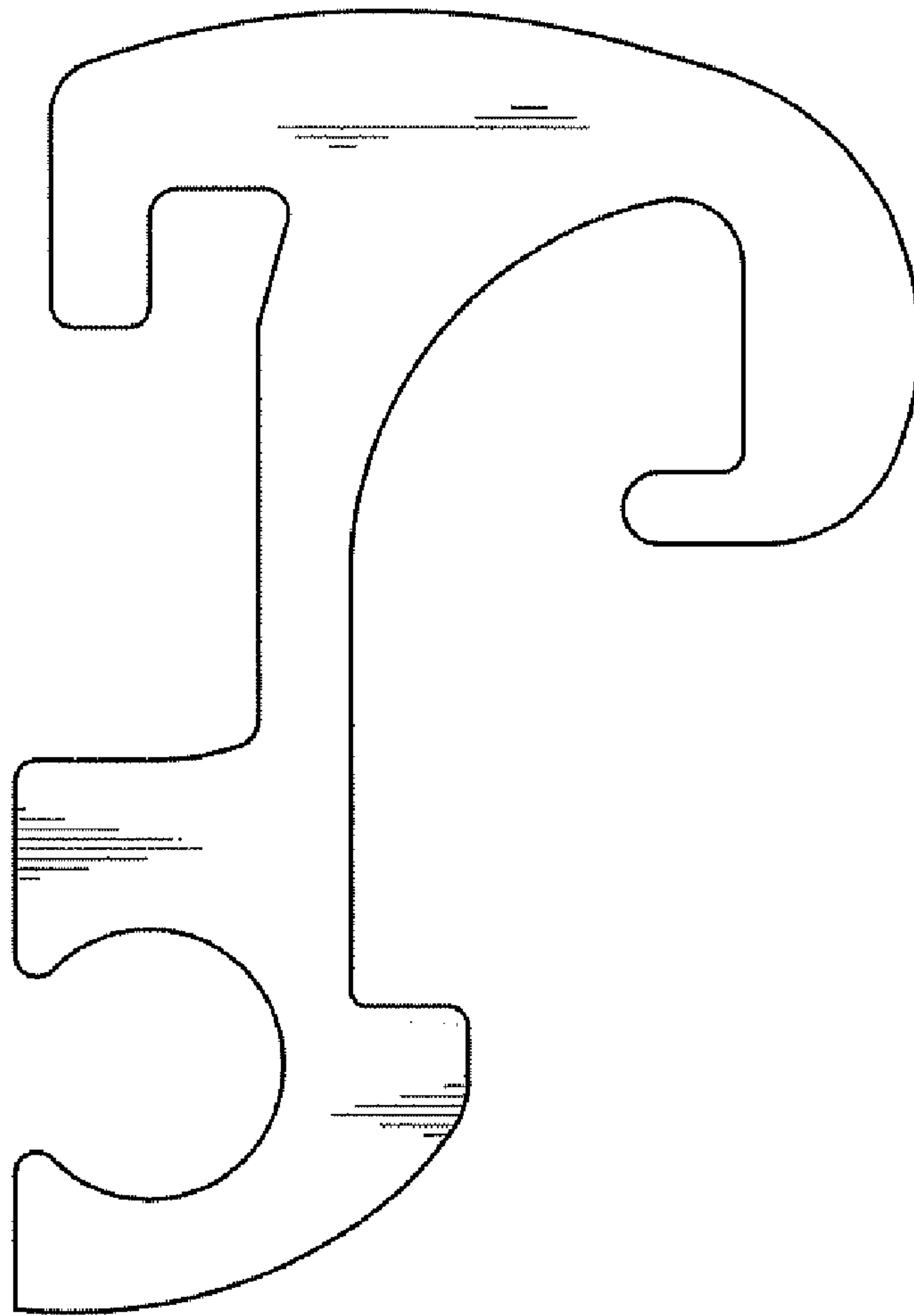


FIG. 3

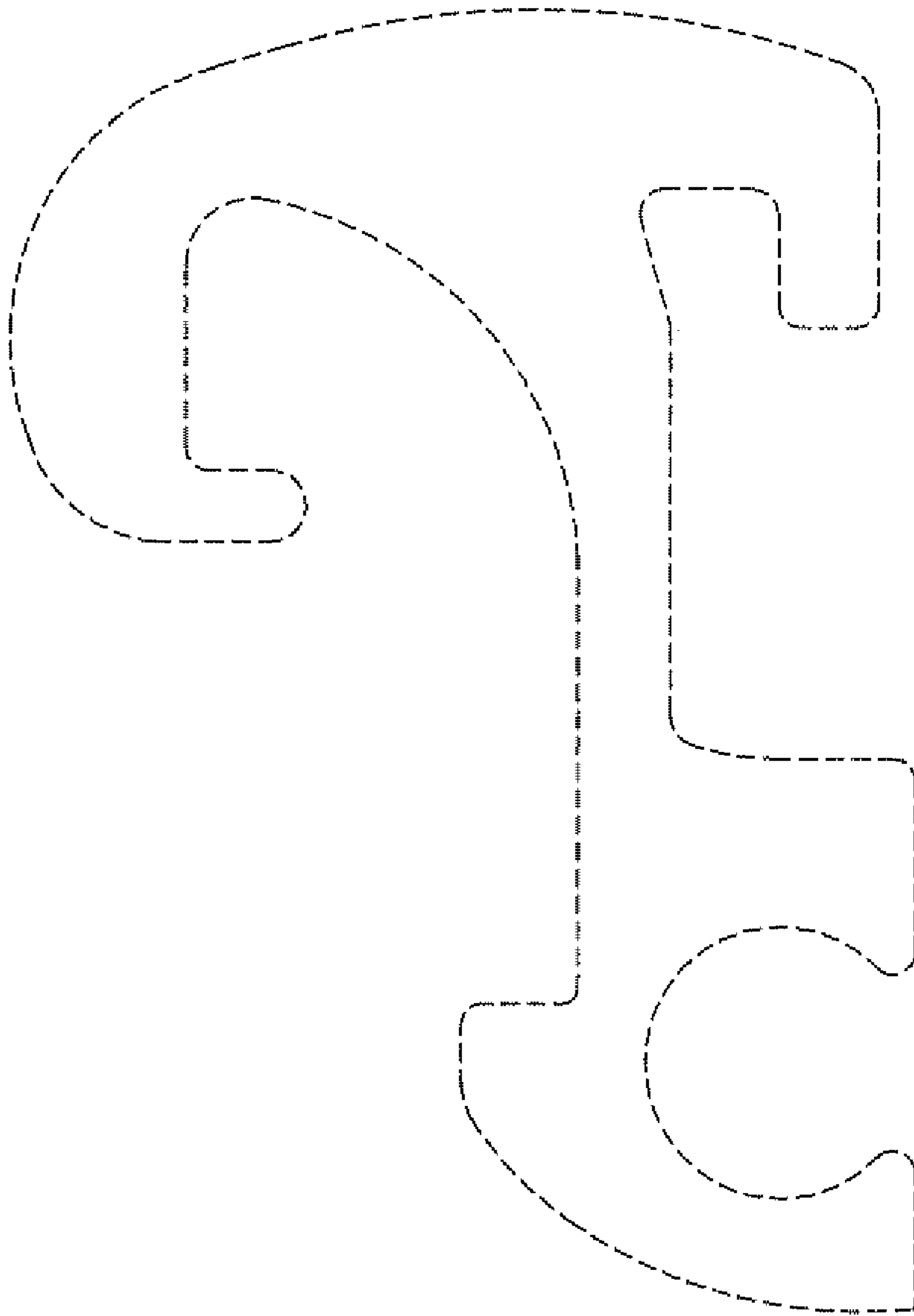


FIG. 4

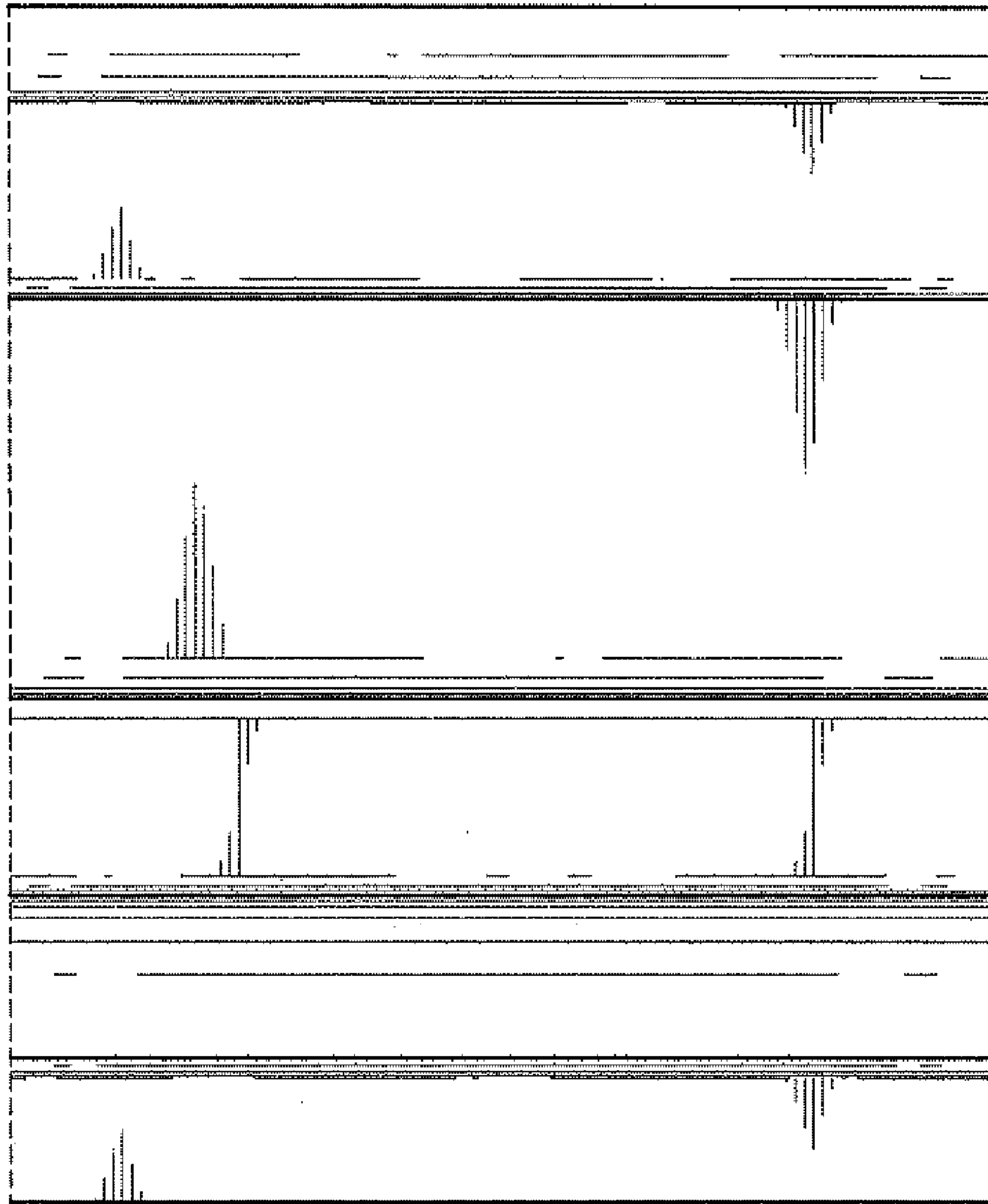


FIG. 5

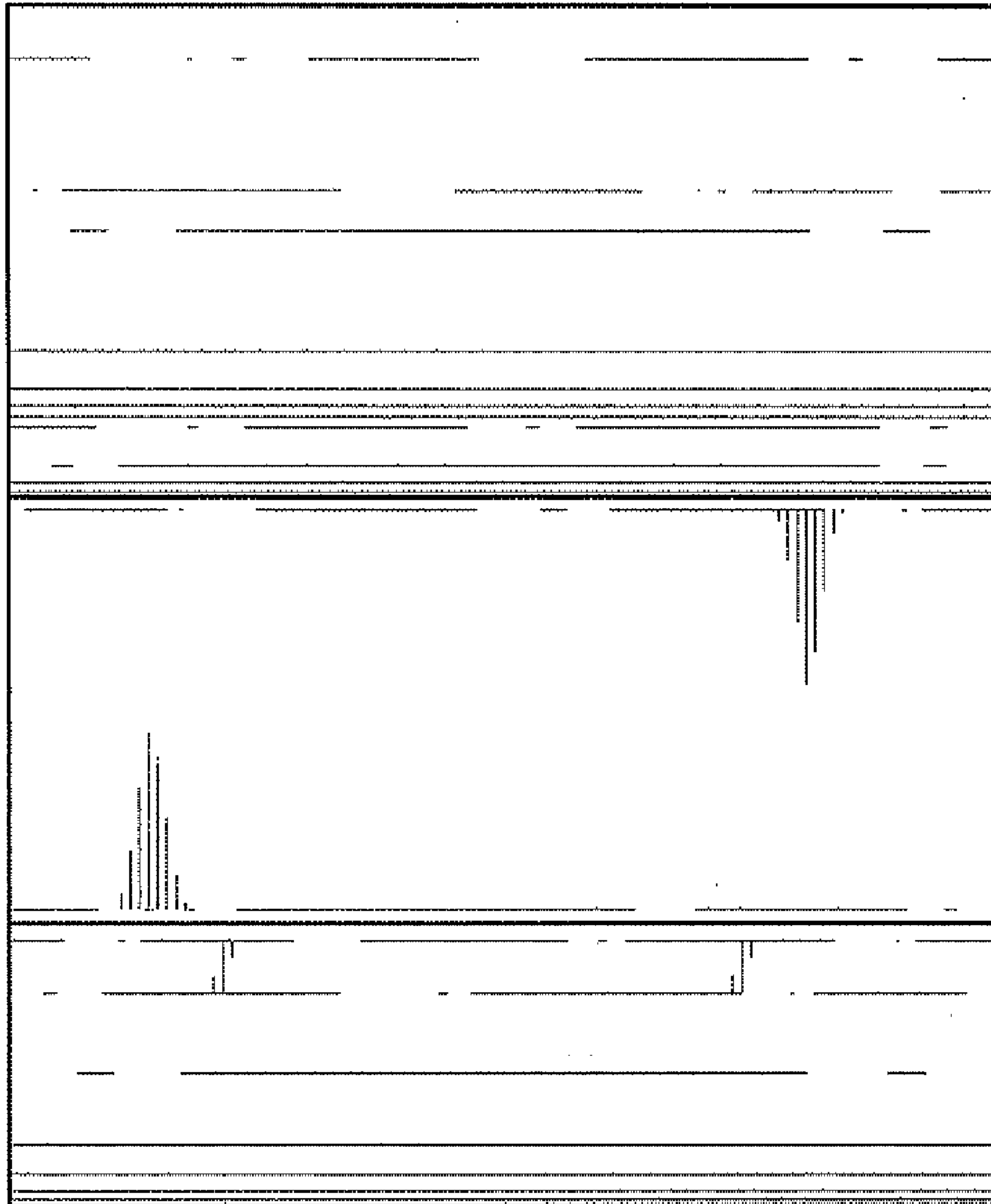


FIG. 6

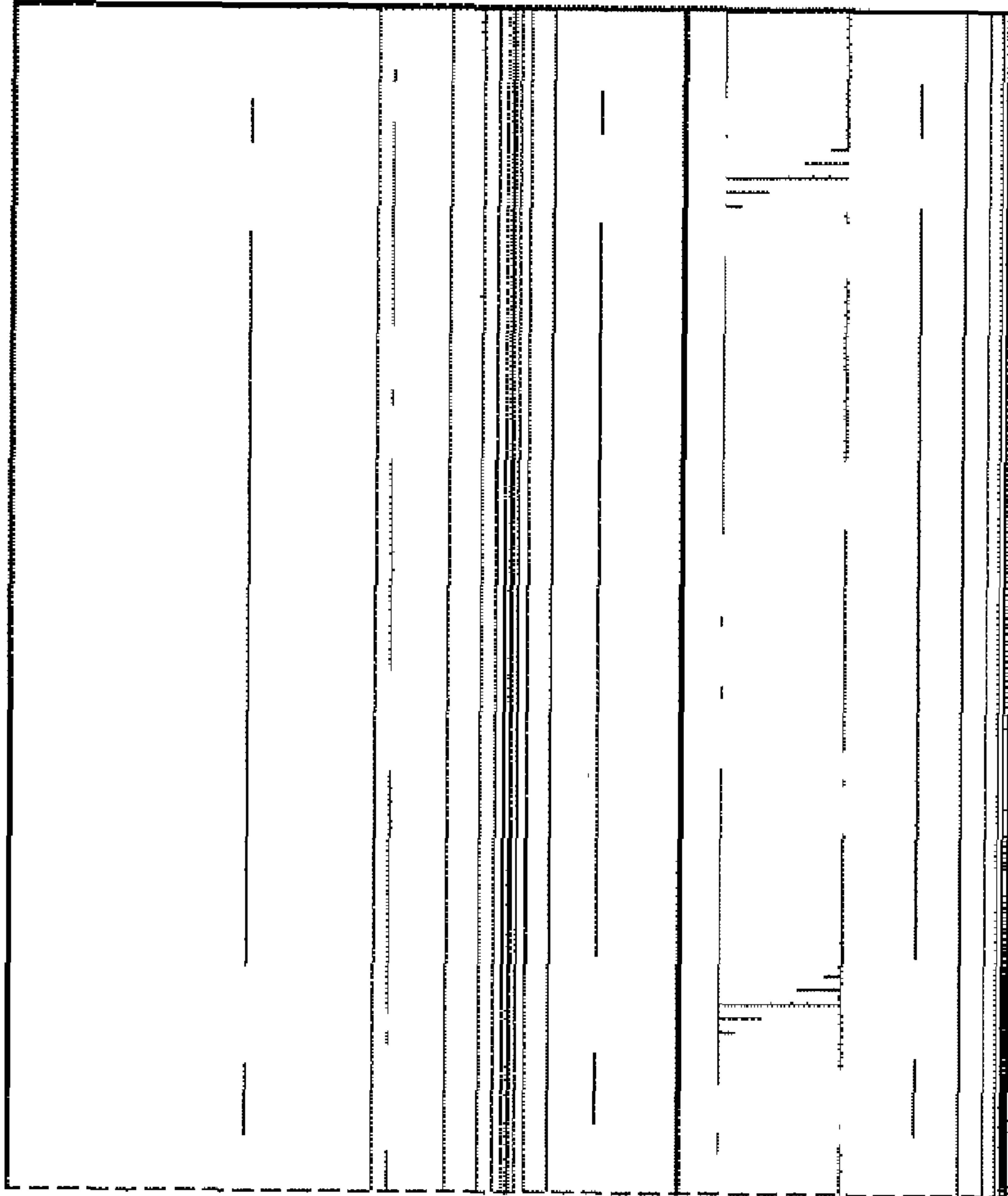


FIG. 7

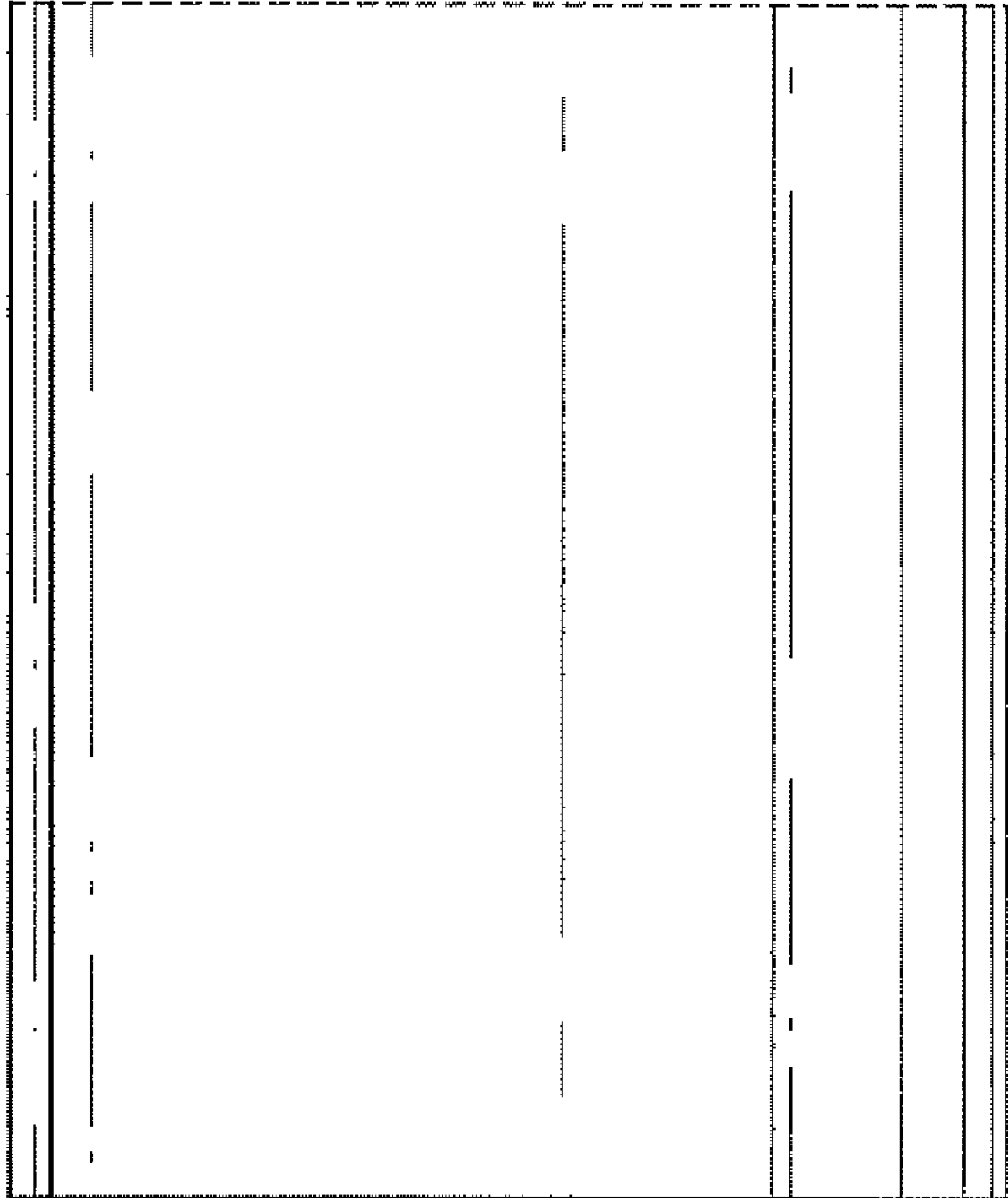


FIG. 8

UNITED STATES PATENT AND TRADEMARK OFFICE
CERTIFICATE OF CORRECTION

PATENT NO. : Des. 569,715 S
APPLICATION NO. : 29/298397
DATED : May 27, 2008
INVENTOR(S) : Julio A. Fernandez

Page 1 of 1

It is certified that error appears in the above-identified patent and that said Letters Patent is hereby corrected as shown below:

Title page, item [57] under claim should read as follows:

The ornamental design for a track for a shelving system, as shown and described.

Signed and Sealed this

Sixteenth Day of September, 2008

A handwritten signature in black ink that reads "Jon W. Dudas". The signature is written in a cursive style with a large, stylized initial "J".

JON W. DUDAS

Director of the United States Patent and Trademark Office