



US00D569714S

(12) **United States Design Patent**  
**Stewart et al.**

(10) **Patent No.:** **US D569,714 S**

(45) **Date of Patent:** **\*\* May 27, 2008**

(54) **COMBINED HOOK AND HOLDER**

(75) Inventors: **Stephen Kraigh Stewart**, Atlanta, GA (US); **Anna M. Stewart**, Atlanta, GA (US)

(73) Assignee: **Fusion Brands Incorporated**, Atlanta, GA (US)

(\*\*) Term: **14 Years**

(21) Appl. No.: **29/248,743**

(22) Filed: **Aug. 30, 2006**

(51) **LOC (8) Cl.** ..... **08-05**

(52) **U.S. Cl.** ..... **D8/373; D8/367**

(58) **Field of Classification Search** ..... D8/367, D8/394, 396, 373; D22/147, 109; 248/74.1-74.2, 248/301, 304

See application file for complete search history.

(56) **References Cited**

**U.S. PATENT DOCUMENTS**

D328,485 S \* 8/1992 Crowley ..... D22/109  
D440,005 S \* 4/2001 Blanton ..... D26/138

\* cited by examiner

*Primary Examiner*—Holly H Baynham

(74) *Attorney, Agent, or Firm*—George Ronald Reardon

(57) **CLAIM**

The ornamental design for a combined hook and holder, as shown and described.

**DESCRIPTION**

A device for use in holding an item, e.g. a hot kitchen utensil.

FIG. 1 is a front left-side perspective view of a hook-holder.

FIG. 2 is a front right-side perspective view of a hook-holder.

FIG. 3 is a bottom rear perspective view of a hook-holder.

FIG. 4 is a rear plan view of a hook-holder.

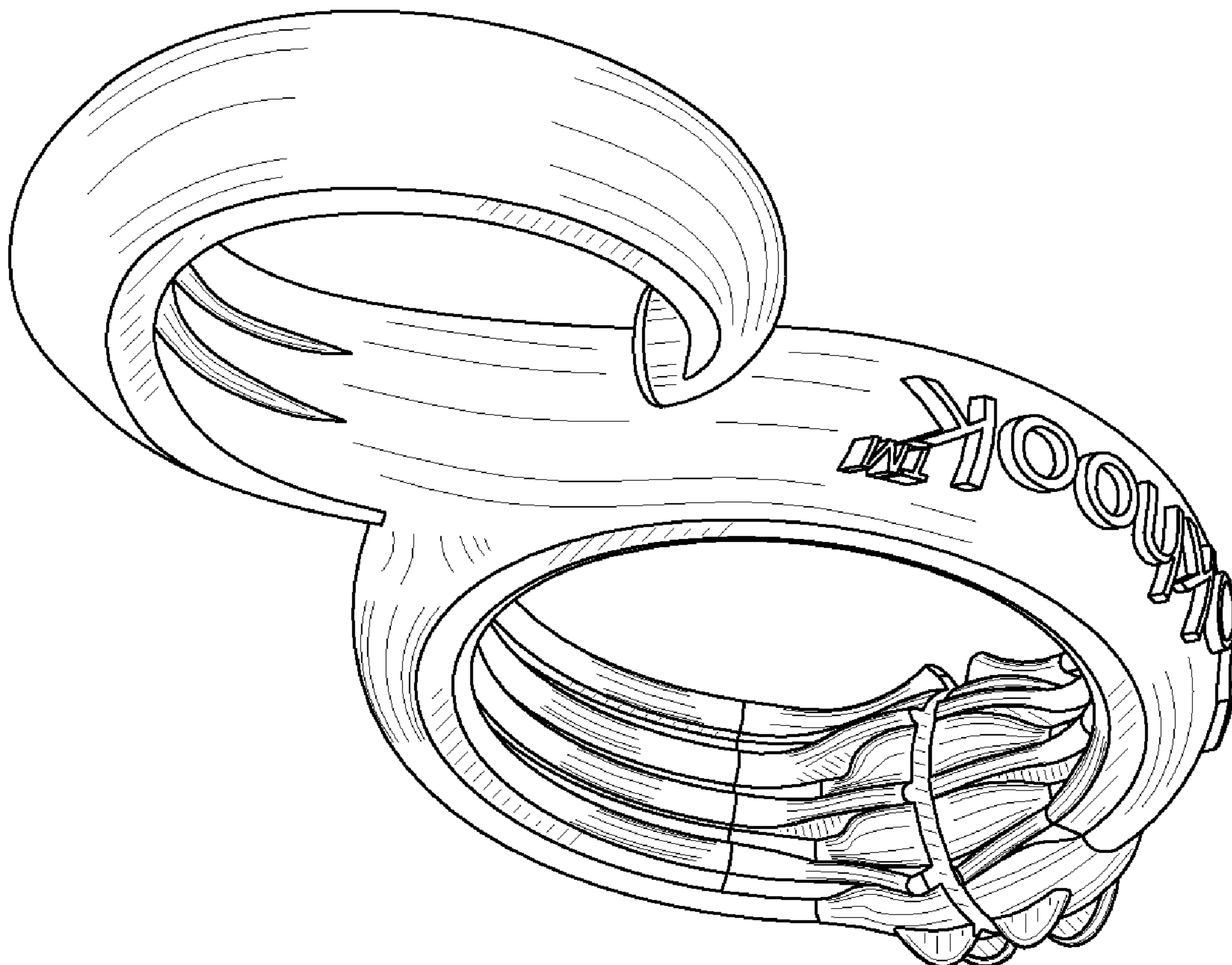
FIG. 5 is a bottom plan view of a hook-holder.

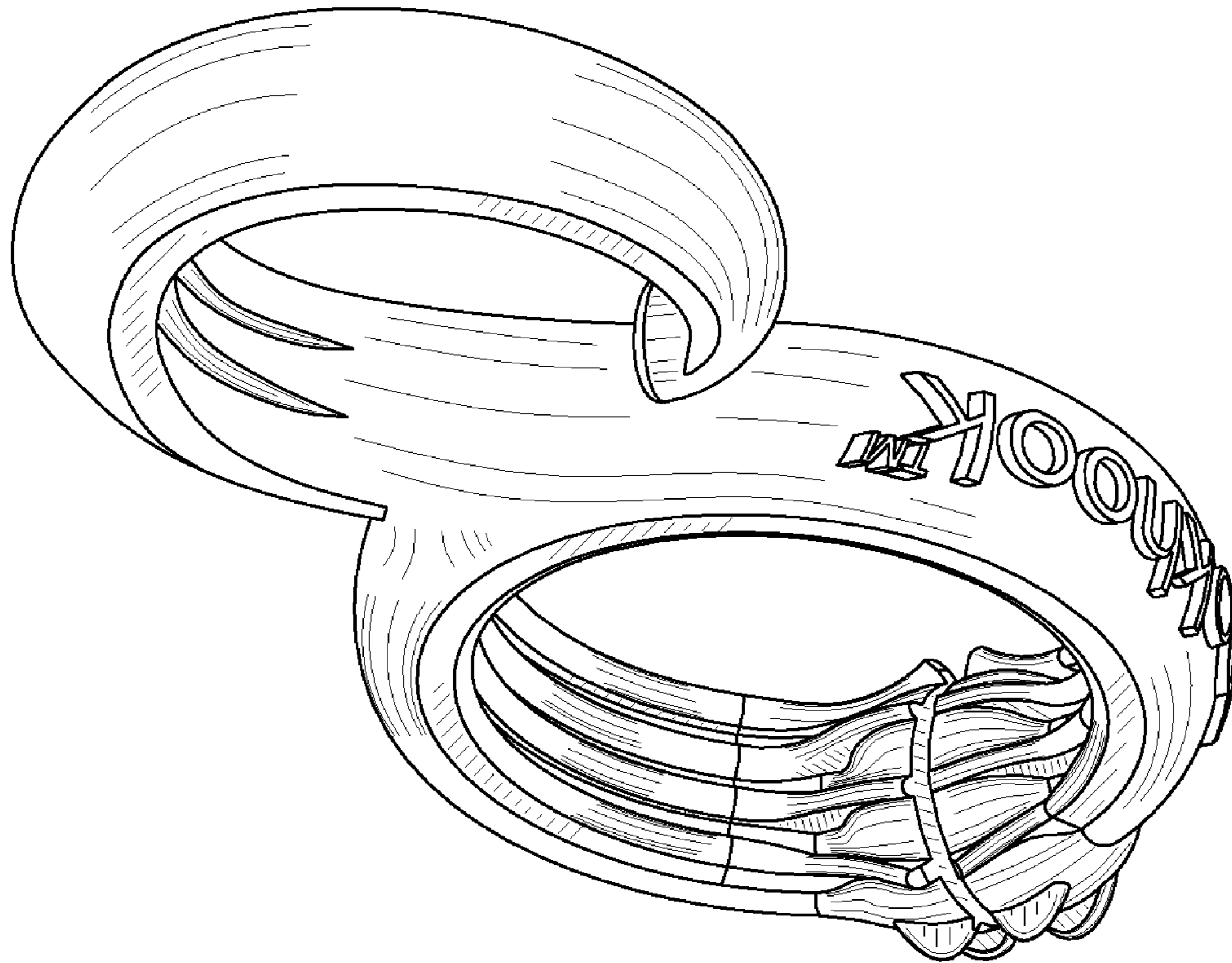
FIG. 6 is a top plan view of a hook-holder.

FIG. 7 is a left side plan view of a hook-holder; and,

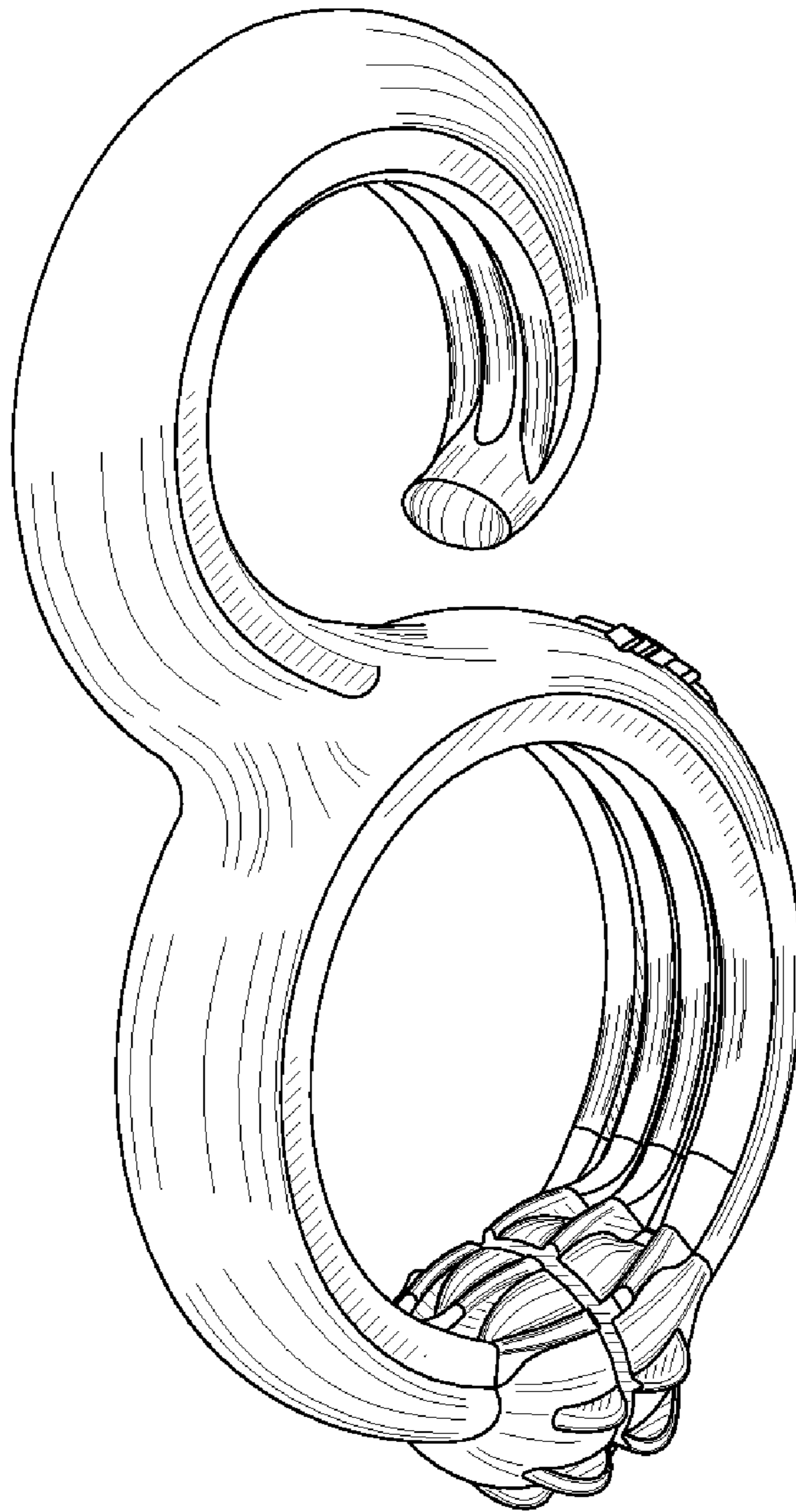
FIG. 8 is a right side plan view of a hook-holder.

**1 Claim, 8 Drawing Sheets**

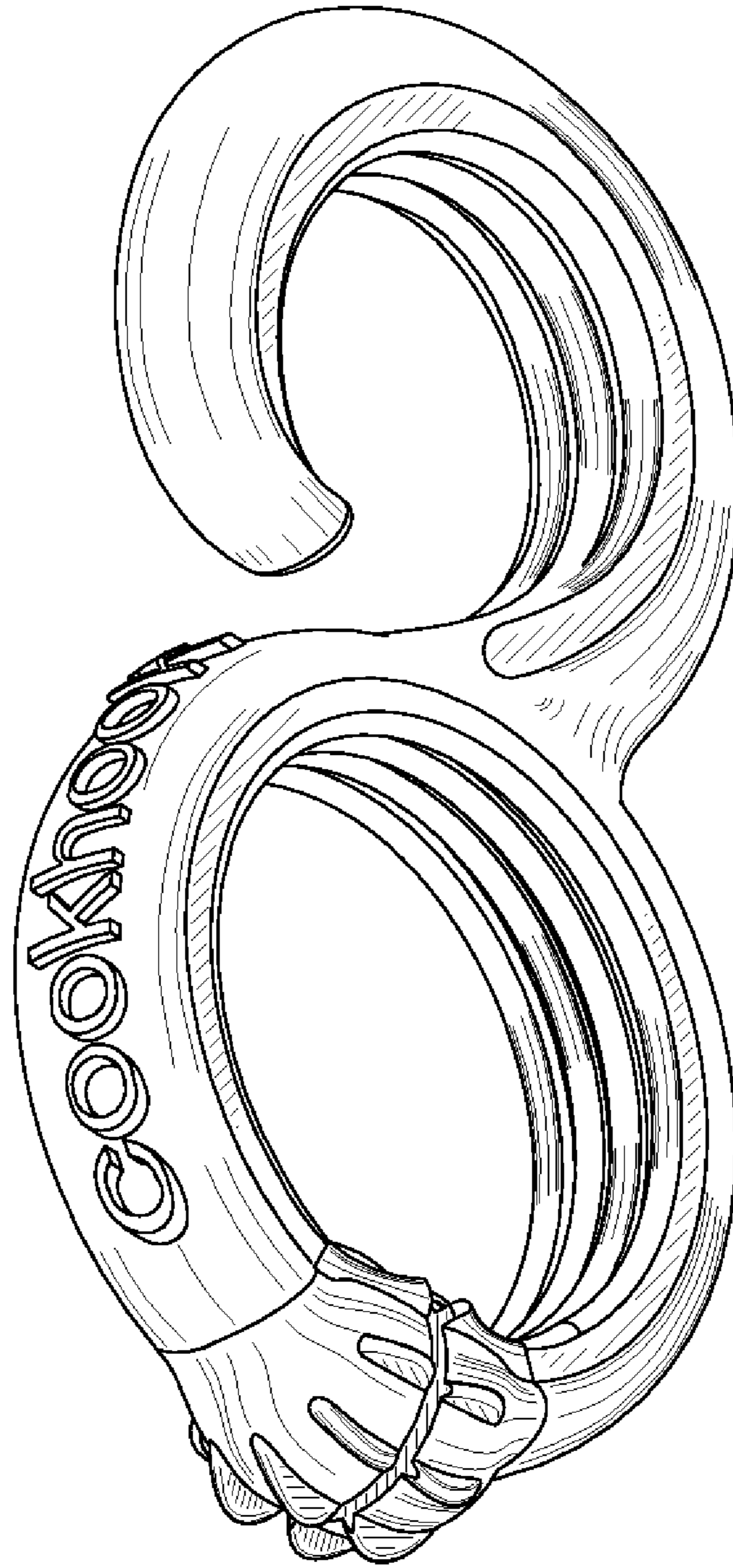




**FIG. 1**

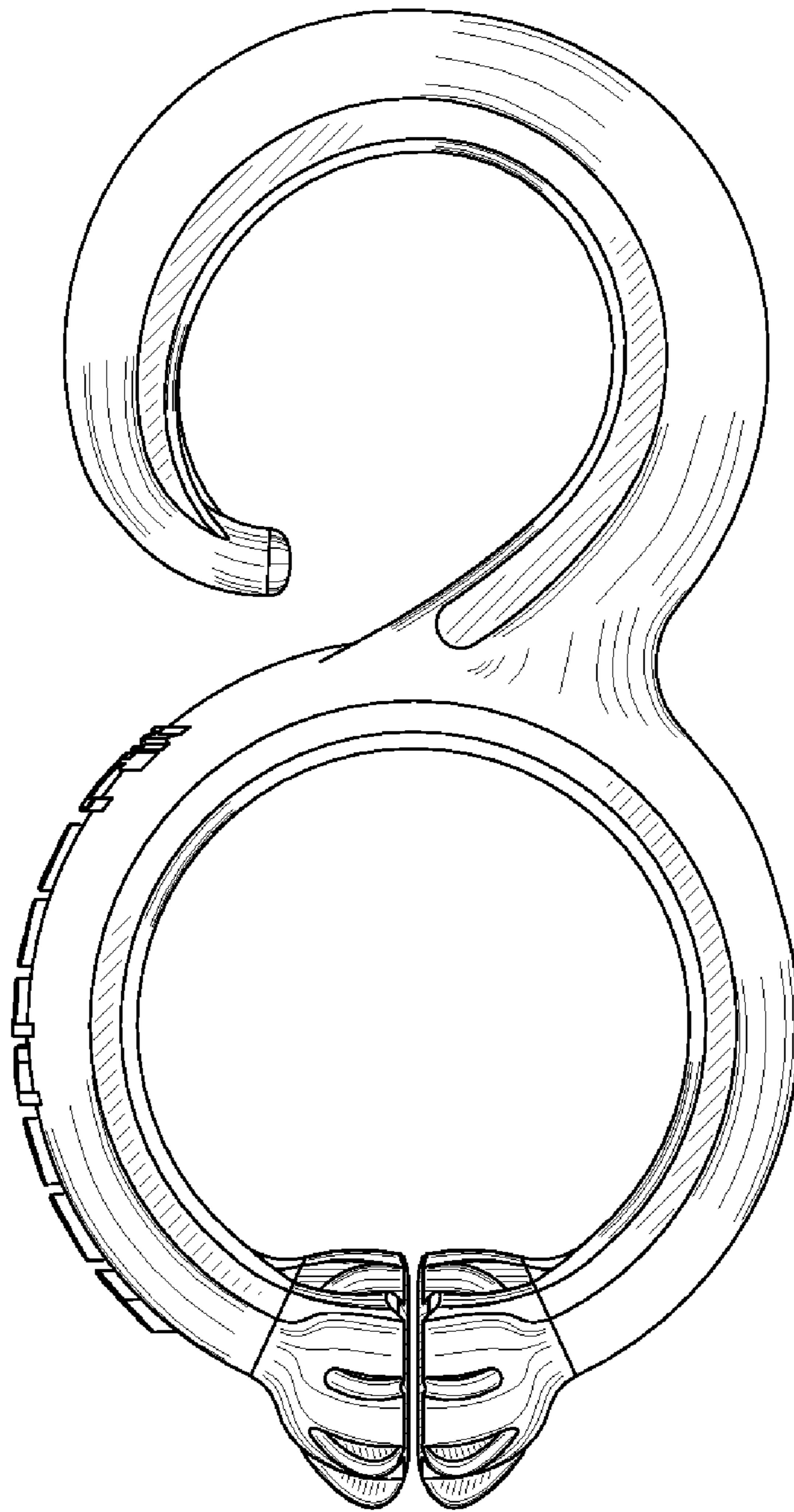


**FIG. 2**

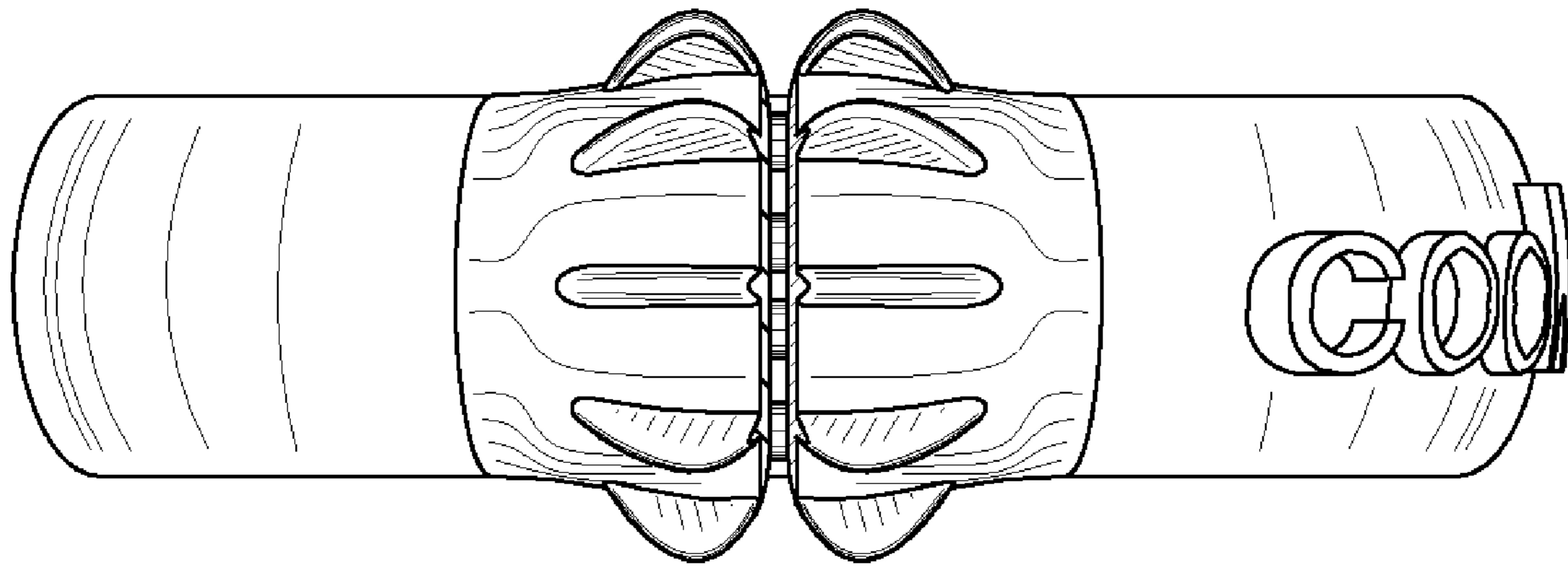


**FIG. 3**

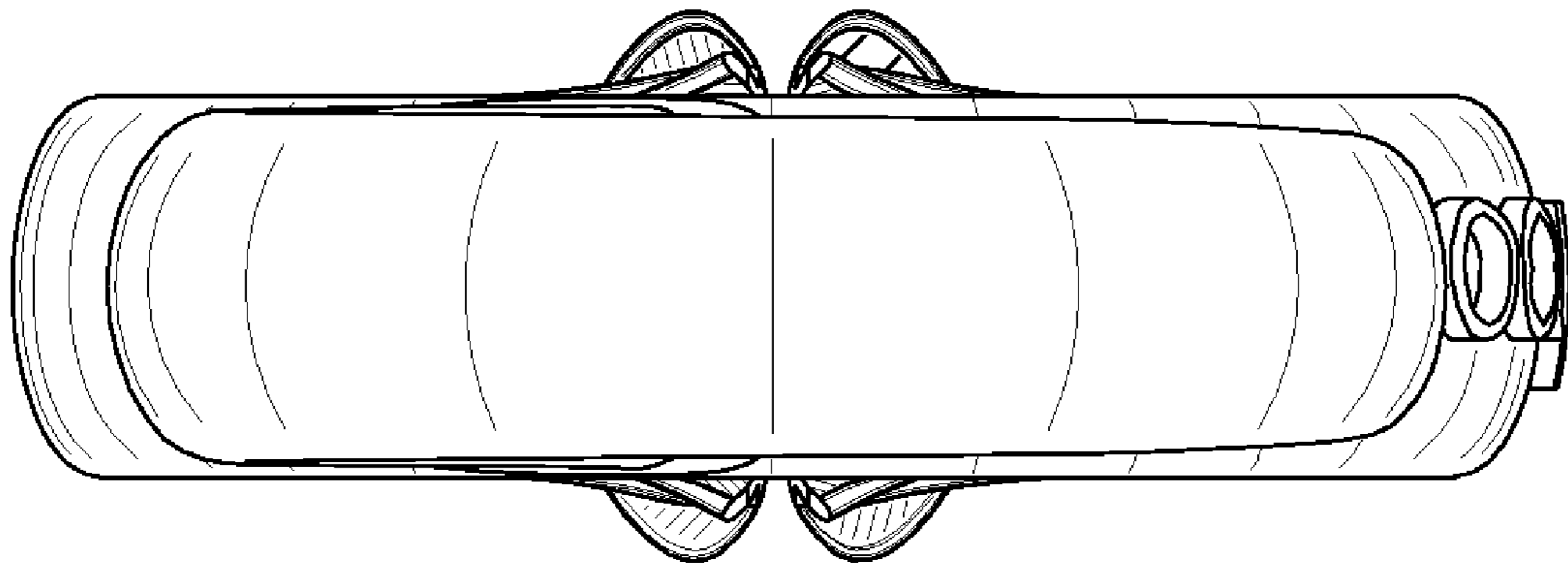




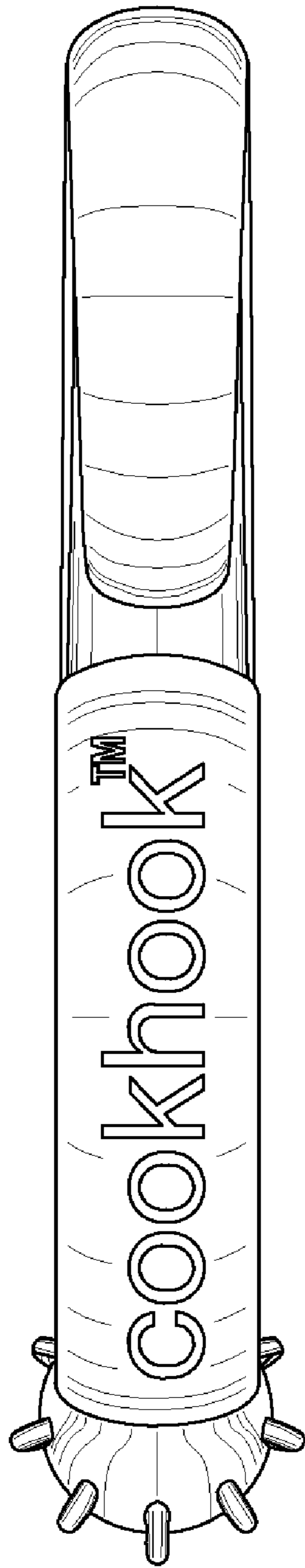
**FIG. 4**



**FIG. 5**

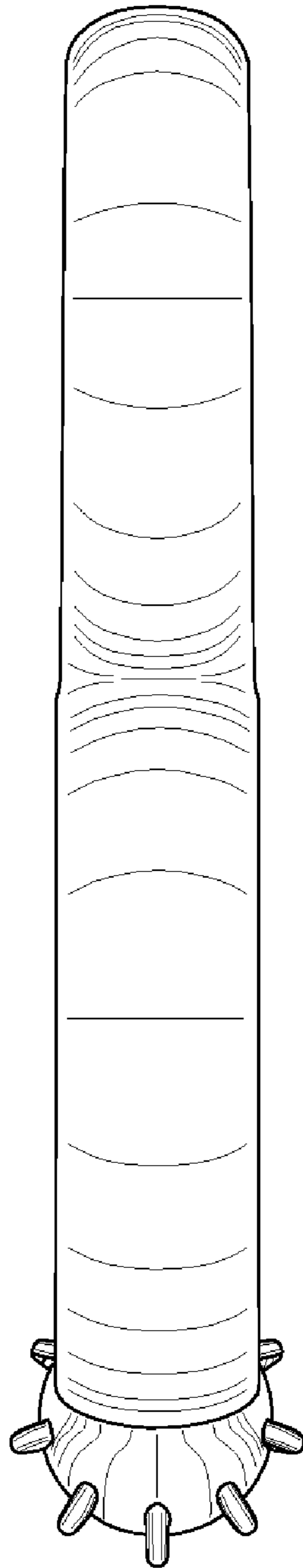


**FIG. 6**



**FIG. 7**





**FIG. 8**