



US00D569712S

(12) **United States Design Patent**
Young, IV

(10) **Patent No.:** **US D569,712 S**

(45) **Date of Patent:** **** May 27, 2008**

(54) **CABLE MANAGEMENT APPARATUS**

(75) Inventor: **James A. Young, IV**, Everett, WA (US)

(73) Assignee: **Slam Brands, Inc.**, Redmond, WA (US)

(**) Term: **14 Years**

(21) Appl. No.: **29/296,334**

(22) Filed: **Oct. 18, 2007**

(51) **LOC (8) Cl.** **08-05**

(52) **U.S. Cl.** **D8/358; D13/154**

(58) **Field of Classification Search** D13/133,
D13/154, 156, 157, 184, 137.4; D8/358,
D8/359; 174/66; 439/4, 134, 149, 501,
439/521, 528; 242/400.1, 608.6
See application file for complete search history.

(56) **References Cited**

U.S. PATENT DOCUMENTS

| | | | | | |
|-----------|-----|---------|--------------------|-------|-----------|
| 2,438,143 | A * | 3/1948 | Brown | | 174/66 |
| 3,290,453 | A * | 12/1966 | Jensen | | 242/400.1 |
| 3,689,868 | A * | 9/1972 | Snyder | | 242/400.1 |
| D372,188 | S * | 7/1996 | Van Dyke | | D8/358 |
| D410,631 | S * | 6/1999 | Foster | | D13/156 |
| D544,338 | S * | 6/2007 | Christensen et al. | | D8/358 |
| D561,566 | S * | 2/2008 | Perez Delgado | | D8/358 |

* cited by examiner

Primary Examiner—Brian N Vinson

(74) *Attorney, Agent, or Firm*—Amin, Turocy & Calvin, LLP; Thomas E. Watson

(57) **CLAIM**

The ornamental design for a cable management apparatus, as shown and described.

DESCRIPTION

FIG. 1 is a perspective view of a design for a cable management apparatus;

FIG. 2 is a first side view of the design for the cable management apparatus shown in FIG. 1;

FIG. 3 is a second side view of the design for the cable management apparatus shown in FIG. 1;

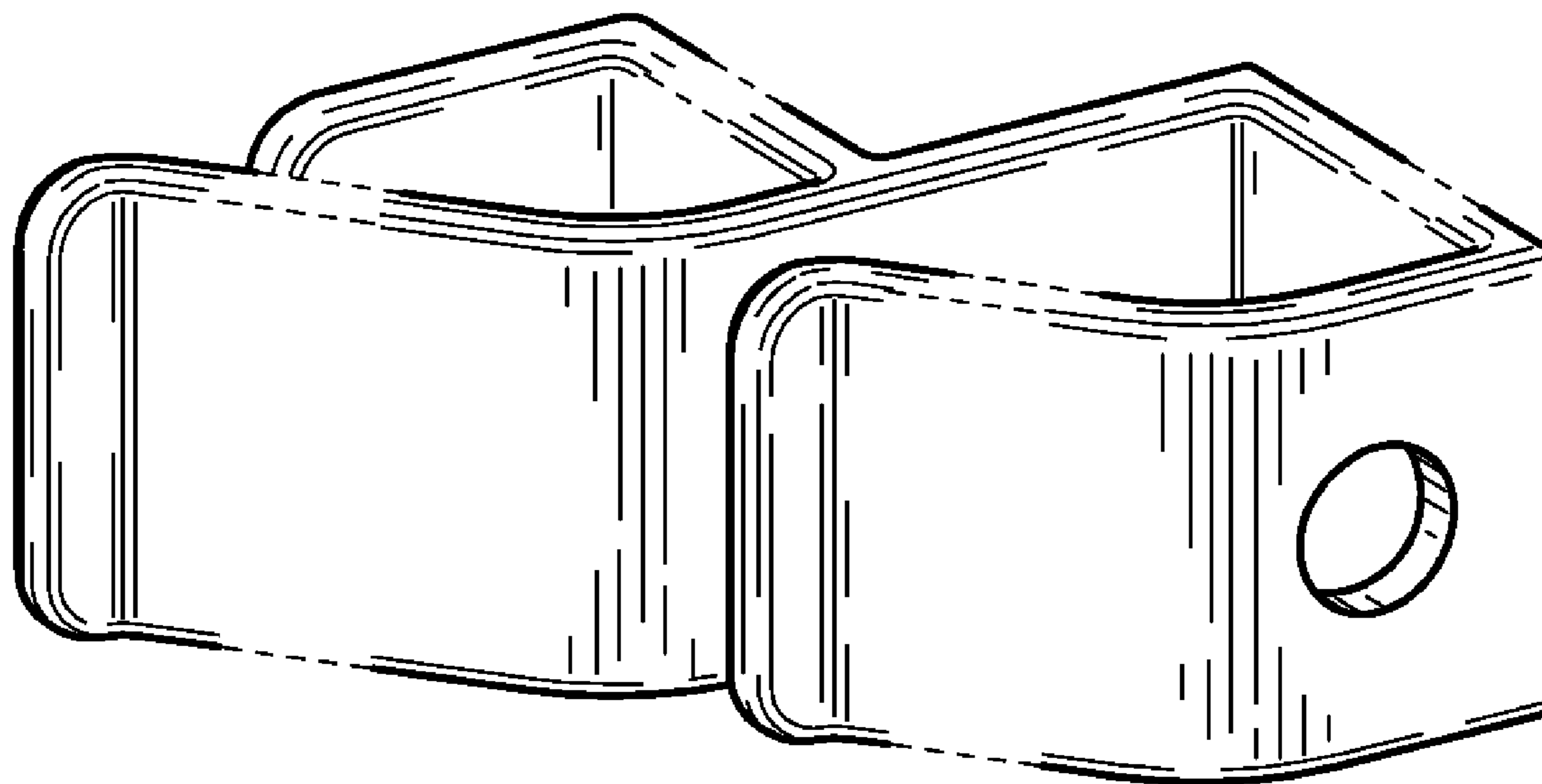
FIG. 4 is a third side view of the design for the cable management apparatus shown in FIG. 1;

FIG. 5 is a front view of the design for the cable management apparatus shown in FIG. 1; and,

FIG. 6 is a back view of the design for the cable management apparatus shown in FIG. 1.

The dashed lines in the drawings are shown for environmental purposes and form no part of the claimed design.

1 Claim, 1 Drawing Sheet



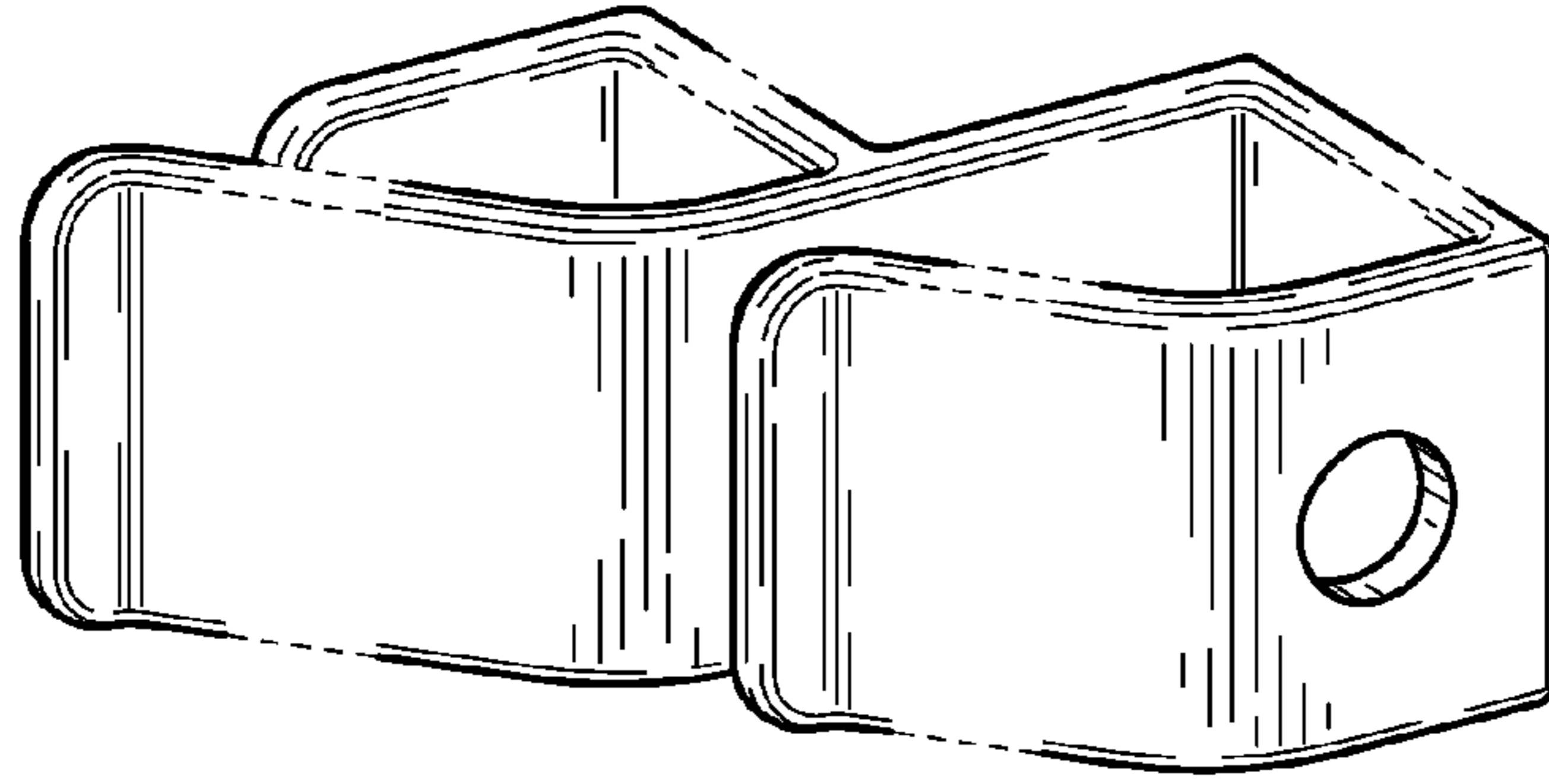


Fig. 1

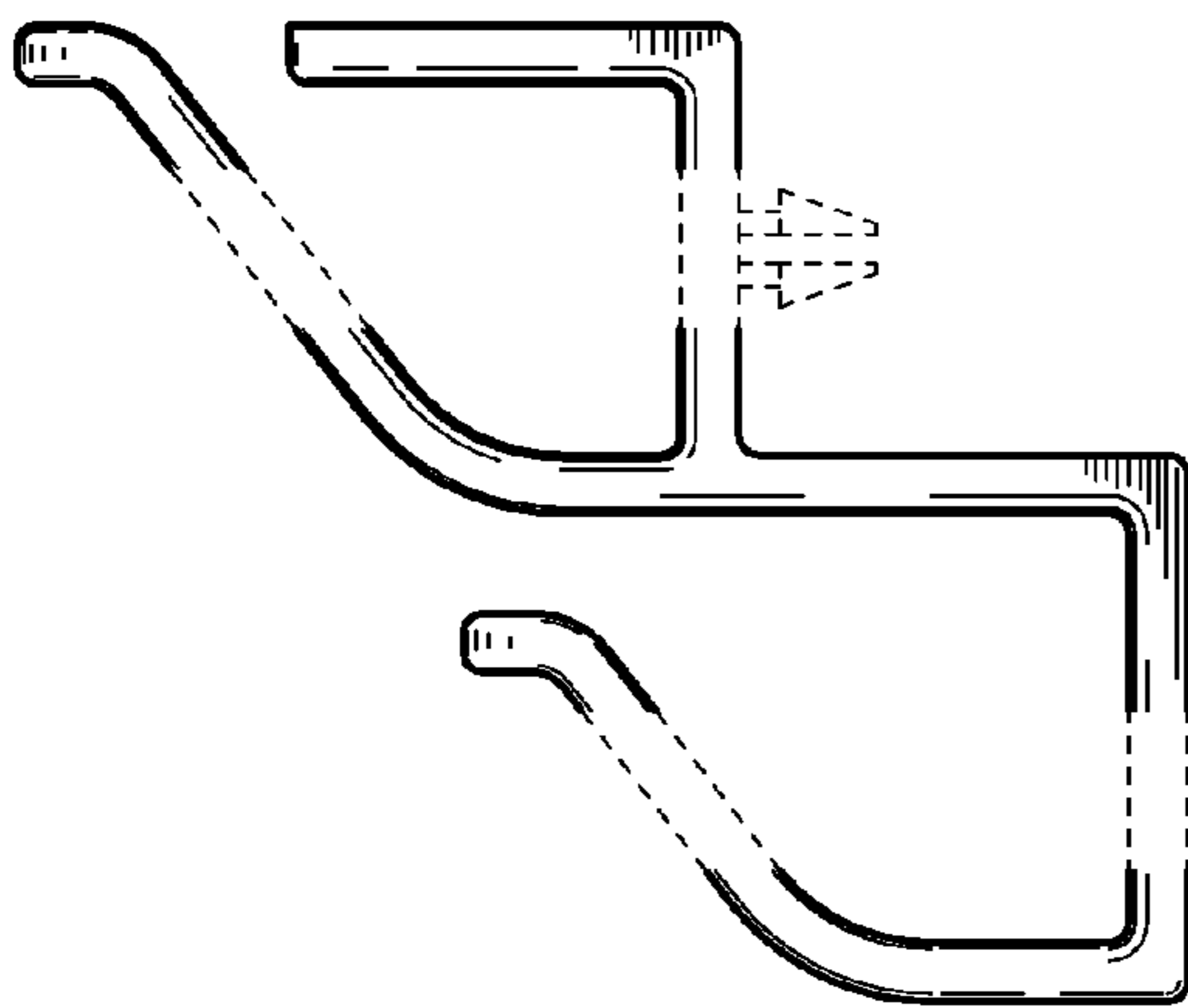


Fig. 2

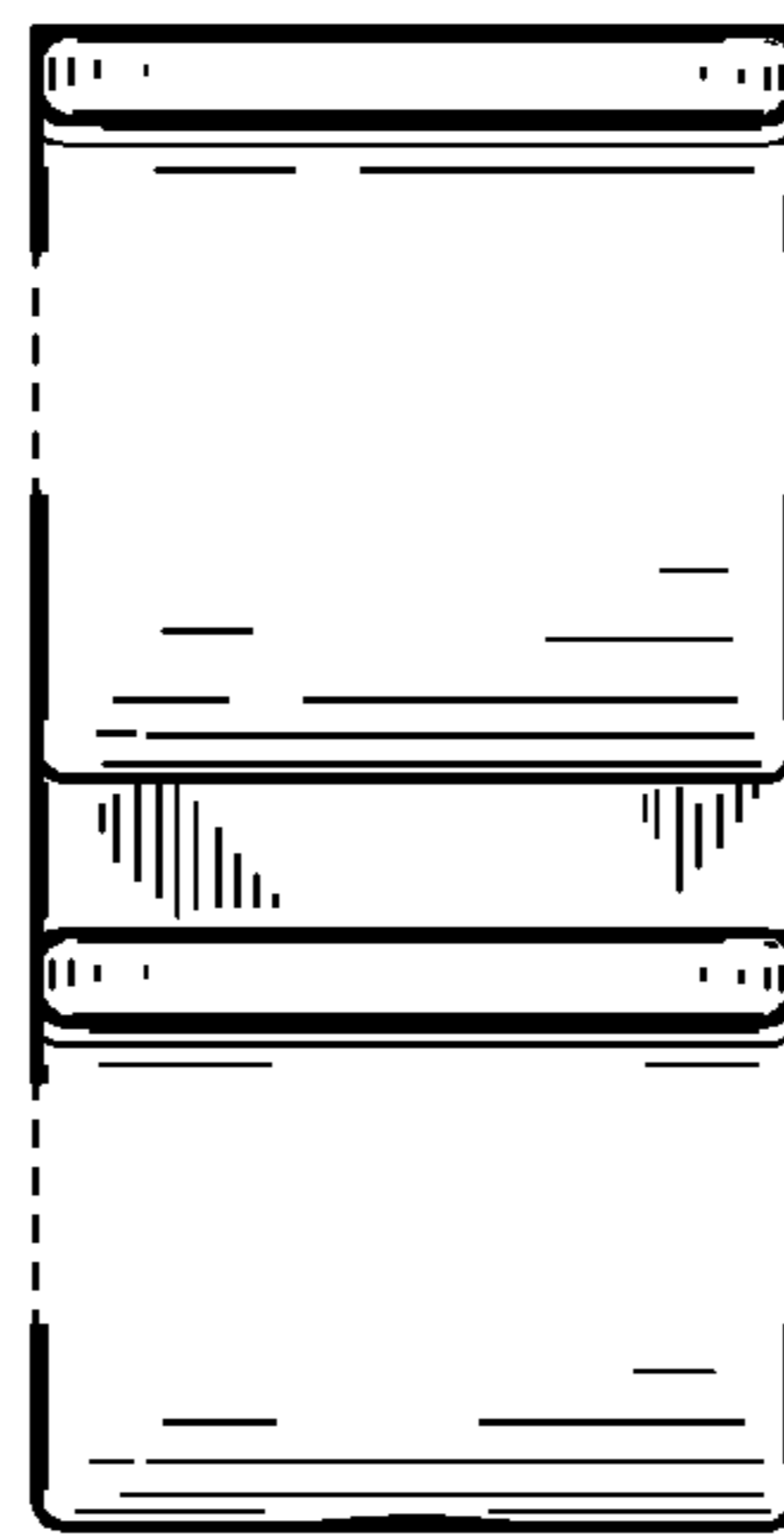


Fig. 3

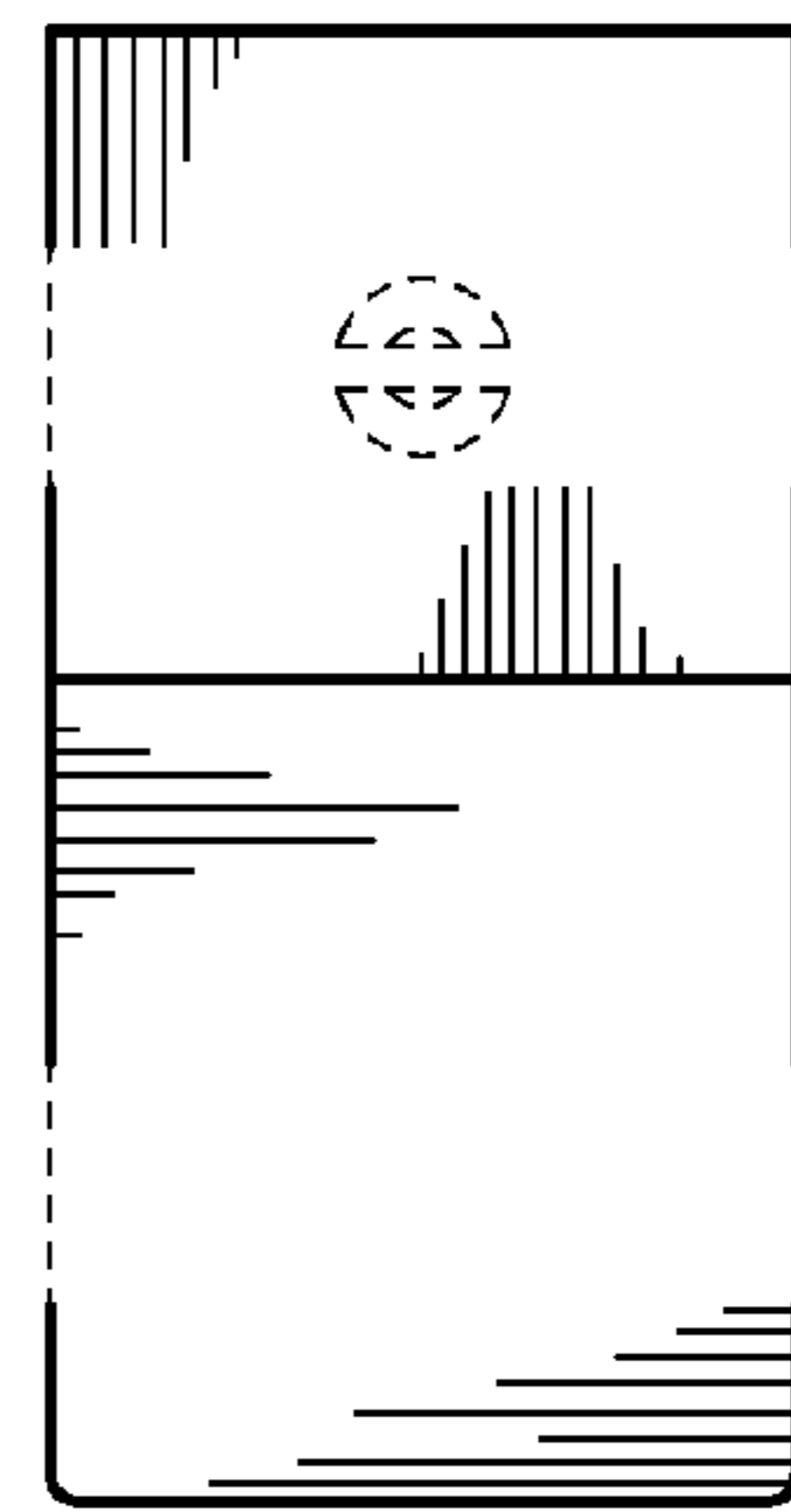


Fig. 4

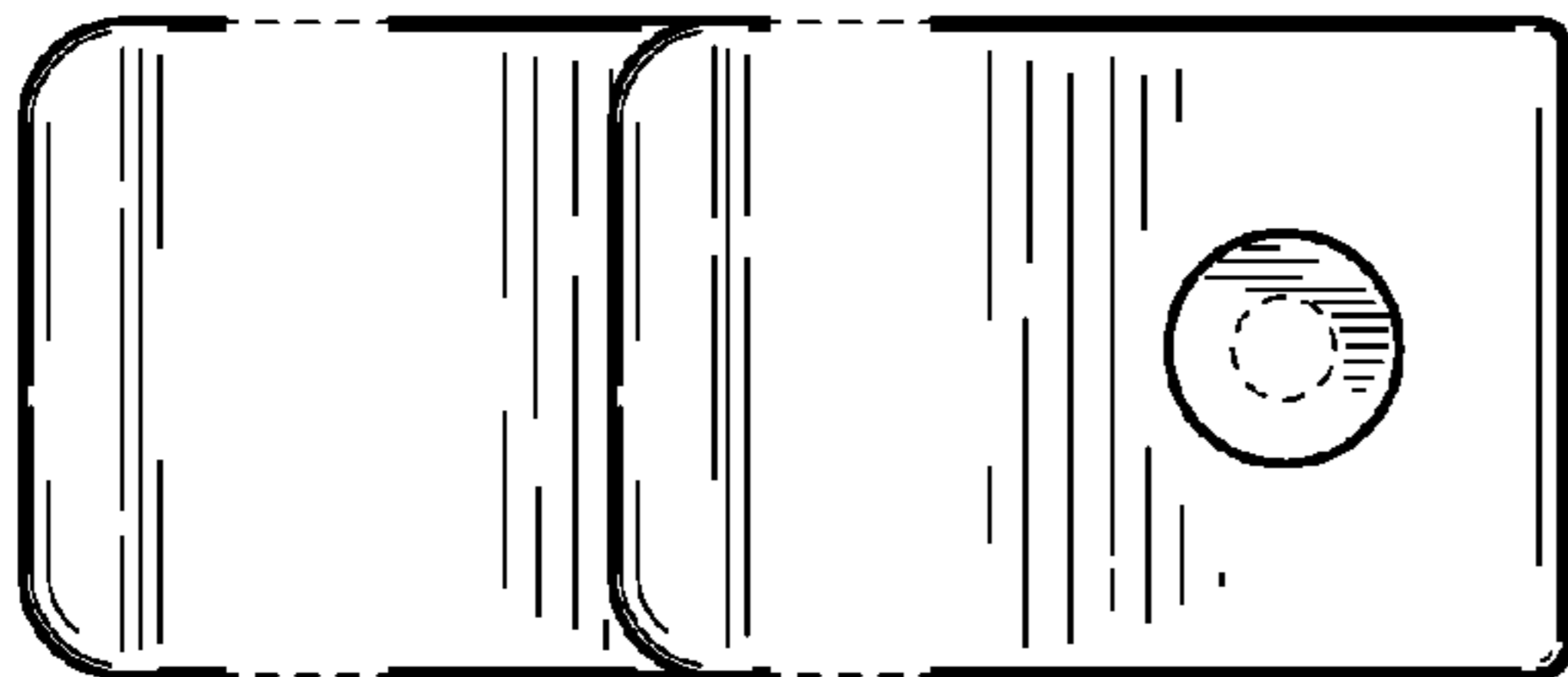


Fig. 5

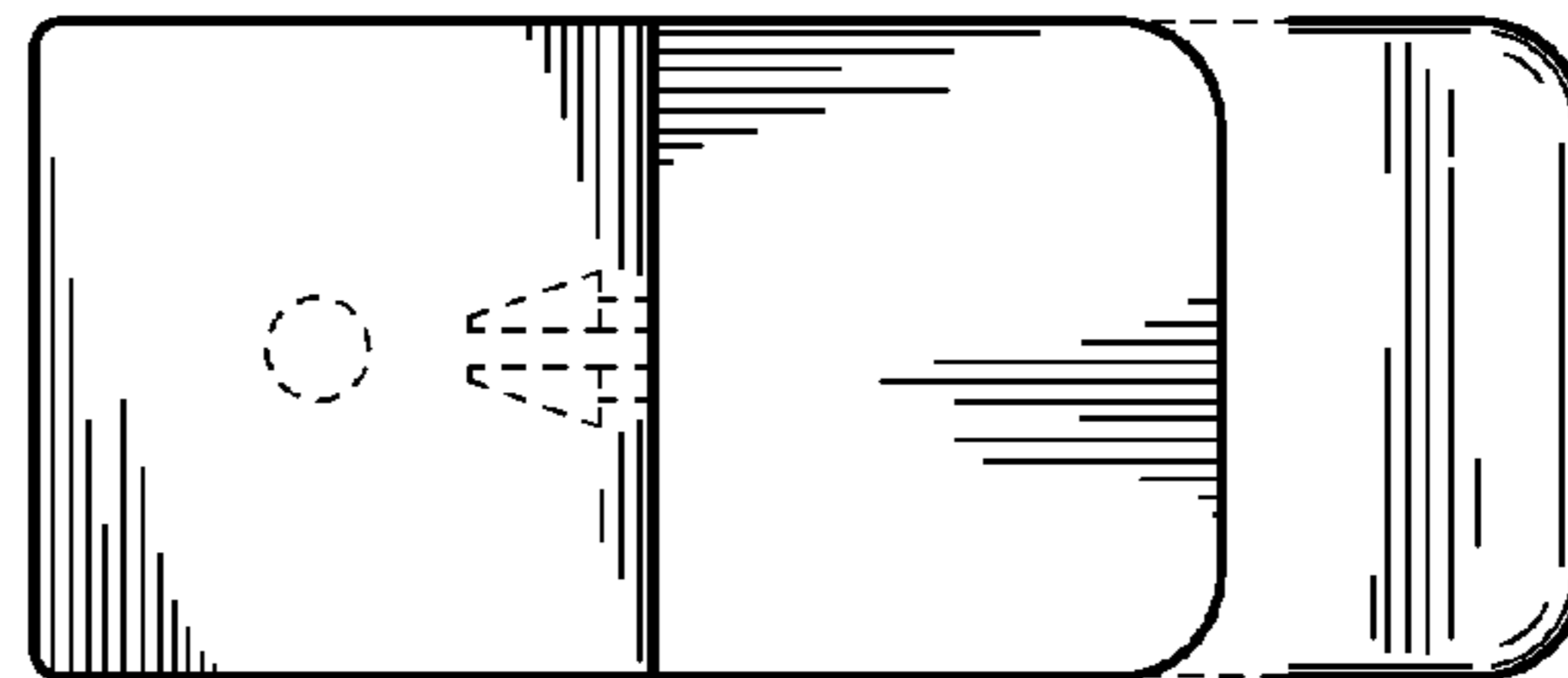


Fig. 6