



US00D569705S

(12) **United States Design Patent** (10) **Patent No.:** **US D569,705 S**
Sotebeer (45) **Date of Patent:** **** May 27, 2008**

(54) **HANDLE**
(75) **Inventor:** **Gary Sotebeer**, Eden Prairie, MN (US)
(73) **Assignee:** **Target Brands, Inc.**, Minneapolis, MN (US)

(**) **Term:** **14 Years**

(21) **Appl. No.:** **29/278,822**

(22) **Filed:** **Apr. 11, 2007**

(51) **LOC (8) Cl.** **08-06**

(52) **U.S. Cl.** **D8/317; D8/310; D9/443; D9/434**

(58) **Field of Classification Search** D8/300, D8/302, 305, 307, 310-321, DIG. 1, DIG. 2; D7/393, 394; D3/318; D23/250-254, 303, D23/305; D6/549; D15/89; 292/347, 336.3; 16/441, 118, 111 R, 110 R, DIG. 19, DIG. 30, 16/110.1, 412, 414-420, 443-446; 211/16; 220/752-754; D9/742, 751, 752, 753, 434, D9/443; 229/117.09, 117.14, 117.15, 910
See application file for complete search history.

(56) **References Cited**

U.S. PATENT DOCUMENTS

345,298	A *	7/1886	Goodbody	229/117.13
1,268,318	A *	6/1918	Brown	229/117.09
1,474,879	A *	11/1923	Ayres	383/6
1,481,592	A *	1/1924	Dozier	229/117.05
1,814,816	A *	7/1931	Appelbaum	206/280
1,937,643	A *	12/1933	Drewry	229/117.15
2,031,963	A *	2/1936	Kundts	206/167
2,252,023	A *	8/1941	Mulnix	229/117.15
2,318,973	A *	5/1943	Smith	229/117.09
2,606,711	A *	8/1952	Forrer	206/184
2,658,661	A *	11/1953	Aquino et al.	229/117.15
2,719,665	A *	10/1955	Tharpe et al.	229/117.09
2,793,801	A *	5/1957	Papadopoulos	229/117.14
3,053,432	A *	9/1962	Arneson	229/117.24
3,099,380	A *	7/1963	Nathan	229/120.011
D200,500	S *	3/1965	Schroeder	D9/433
D248,123	S *	6/1978	Cohen	D9/423

D249,239	S *	9/1978	Pfeifer	D9/422
4,195,765	A *	4/1980	Roccaforte et al.	229/117.15
4,230,261	A *	10/1980	Austin	229/117
D263,793	S *	4/1982	Magee	D9/433
D292,487	S *	10/1987	Kea	D9/432

(Continued)

OTHER PUBLICATIONS

B.F. Nelson Corp., "Box Blank," believed to have been publicly available prior to filing this design application; 1 pg.

Primary Examiner—Stella M. Reid

Assistant Examiner—Mark A Goodwin

(74) *Attorney, Agent, or Firm*—Ingrassia Fisher & Lorenz, P.C.

(57) **CLAIM**

The ornamental design for a handle, as shown and described.

DESCRIPTION

FIG. 1 is a perspective view of a handle of the invention;

FIG. 2 is a front view thereof;

FIG. 3 is a top view thereof;

FIG. 4 is a bottom view thereof, where an unclaimed object associated with the handle is shown and obscures a view of the handle according to an observer's perspective;

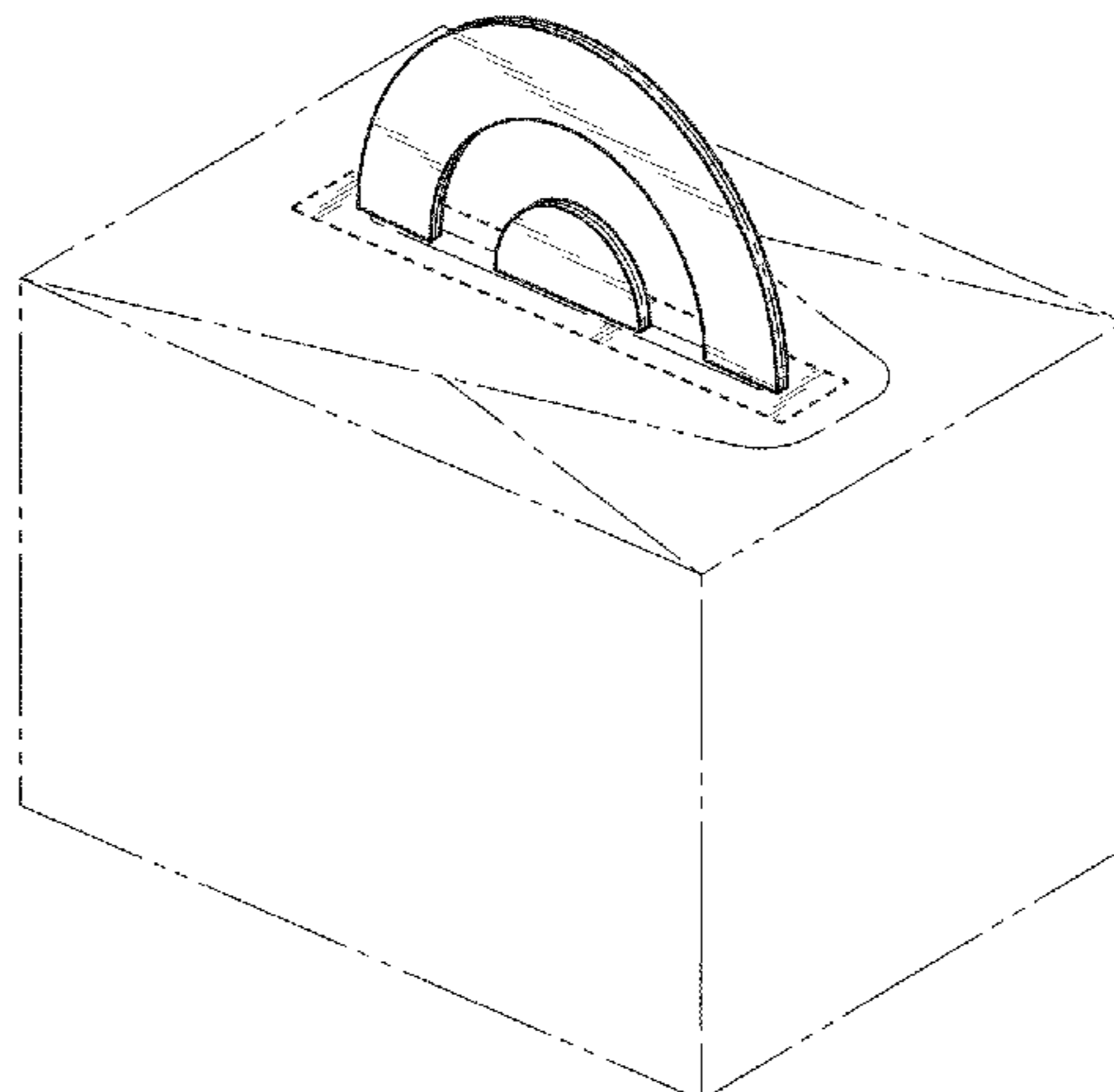
FIG. 5 is a left view thereof, the right view being identical;

FIG. 6 is an enlarged view of the left view of FIG. 6, an enlarged right view of a handle of the being identical; and,

FIG. 7 is a second perspective view thereof, where a second associated object shown in broken line is for illustrative purposes only and forms no part of the claimed design.

The broken lines immediately adjacent the shaded areas represent the bounds of the claimed design while all other broken lines are directed to environment and are for illustrative purposes only; the broken lines form no part of the claimed design.

1 Claim, 4 Drawing Sheets



US D569,705 S

Page 2

U.S. PATENT DOCUMENTS

4,700,831 A *	10/1987	Kasai	206/232	D491,466 S *	6/2004	Man	D9/434
D336,245 S *	6/1993	Savas	D9/433	D511,457 S *	11/2005	Biesecker et al.	D9/443
D424,433 S *	5/2000	Perkins et al.	D9/431	2006/0266812 A1*	11/2006	Von Bokel	229/117.14

* cited by examiner

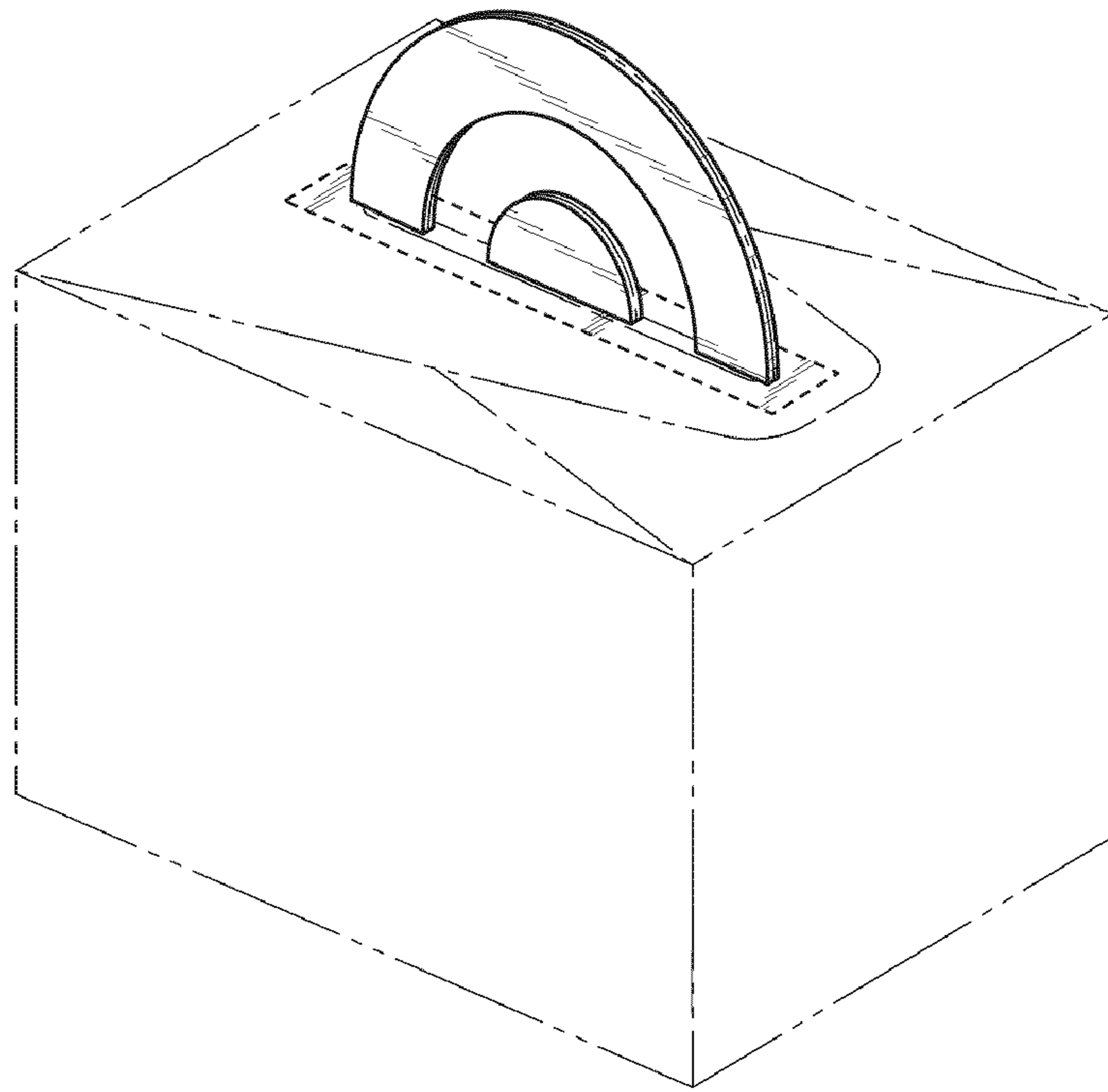


Fig. 1

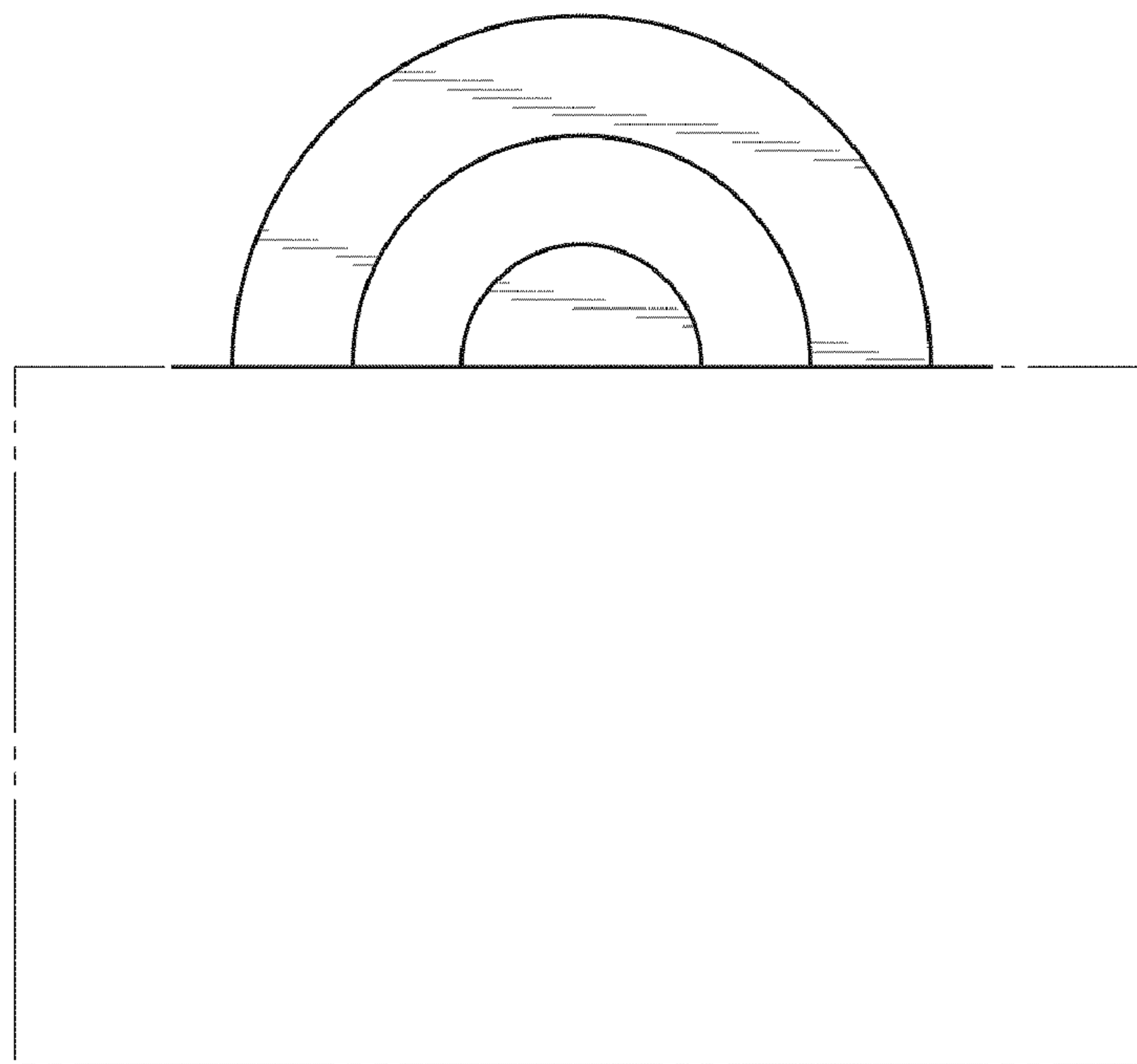


Fig. 2

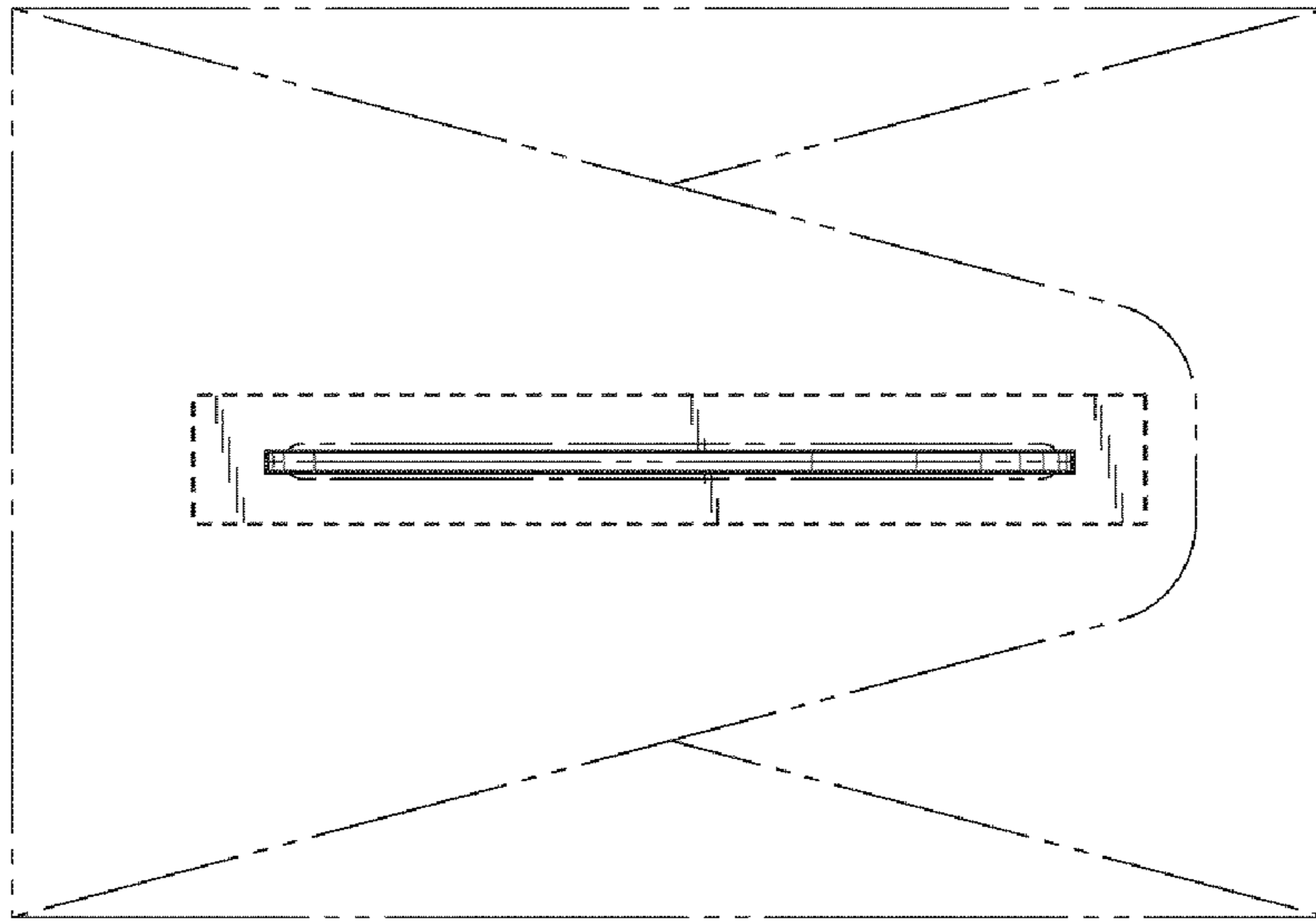


Fig. 3

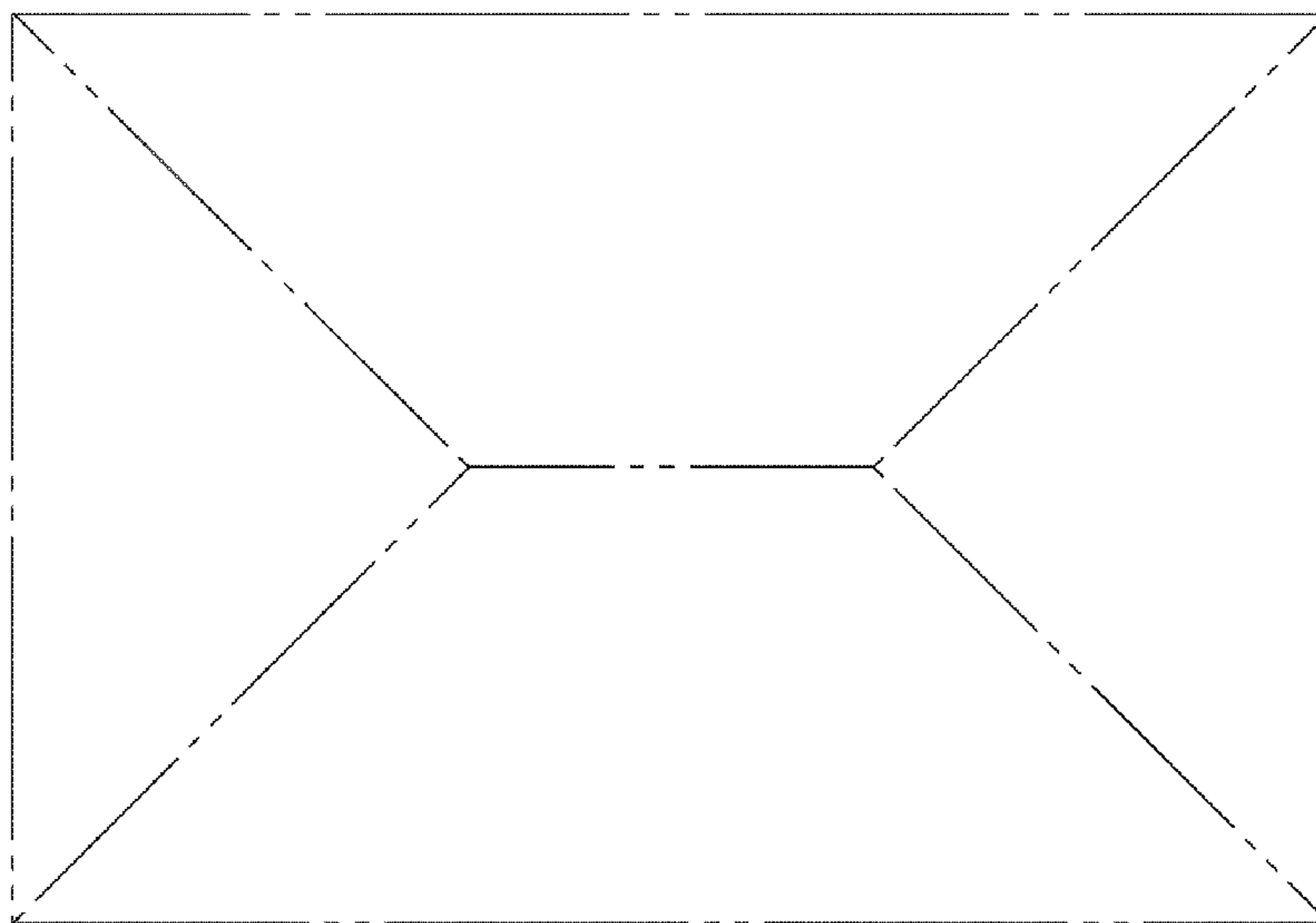


Fig. 4

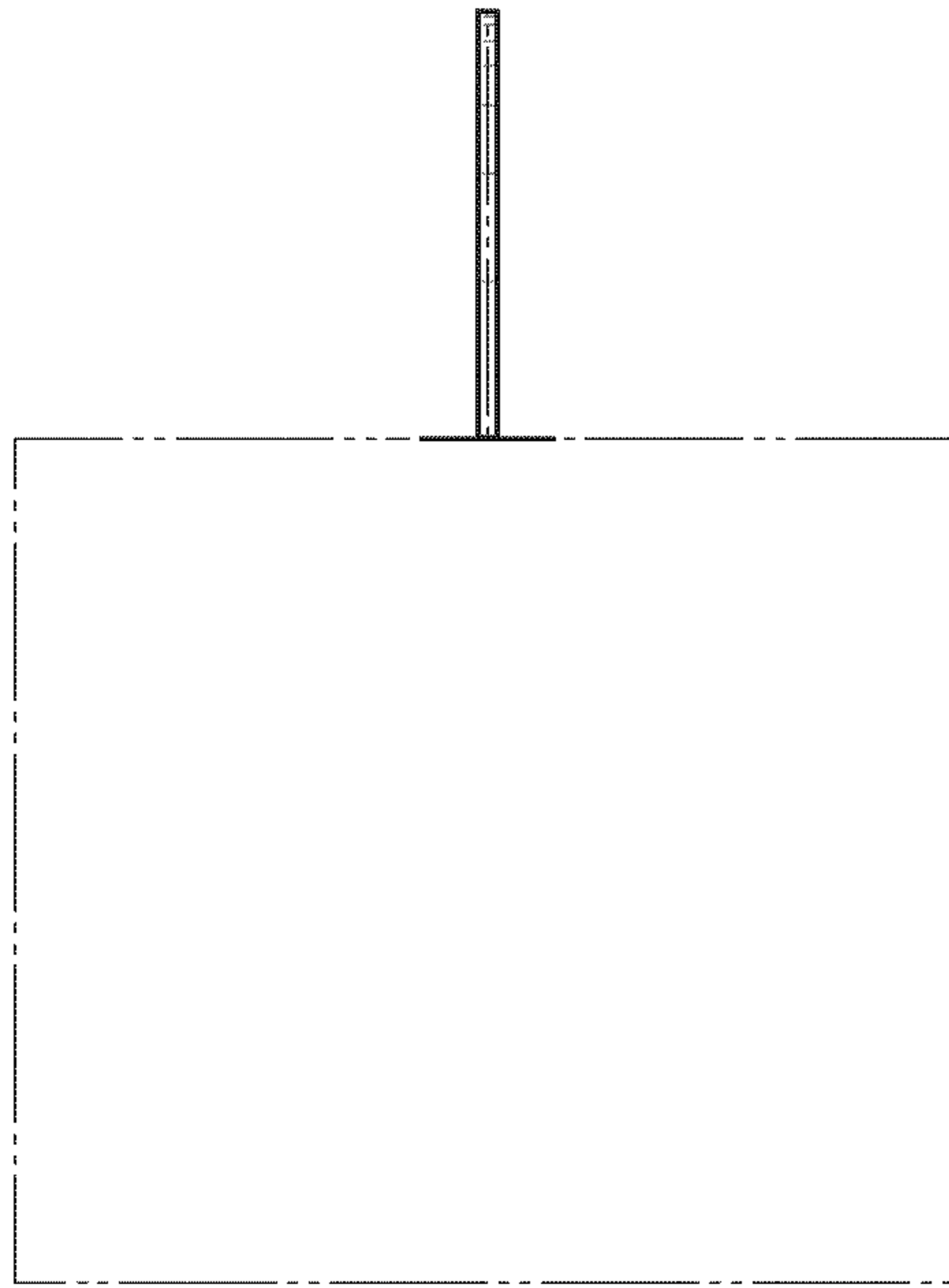


Fig. 5

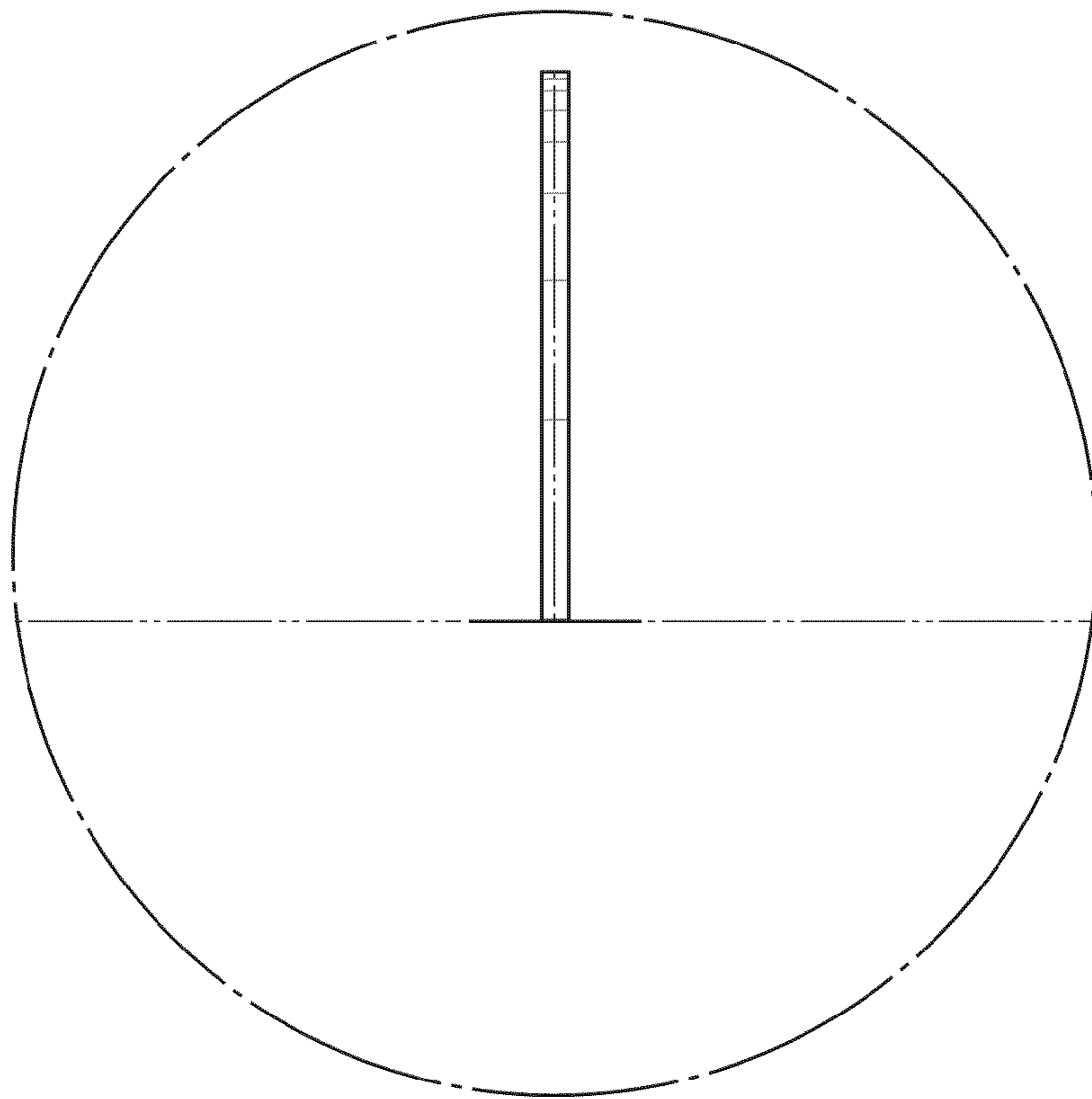


Fig. 6

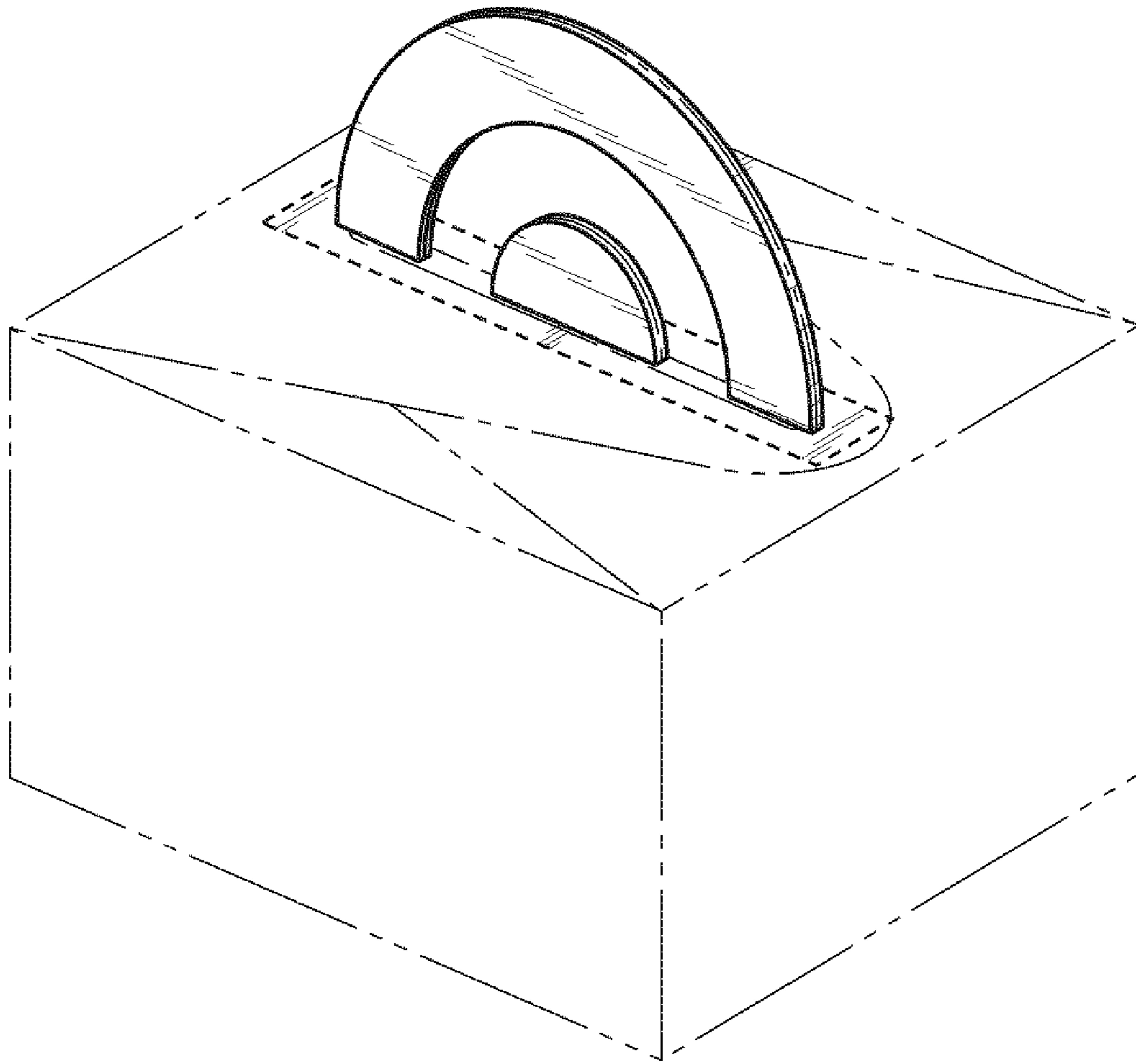


Fig. 7