



US00D569704S

(12) **United States Design Patent**
Ricereto

(10) **Patent No.:** **US D569,704 S**

(45) **Date of Patent:** **** May 27, 2008**

(54) **PULL**

(75) Inventor: **Michael Hart Ricereto**, Baltimore, MD
(US)

(73) Assignee: **Newell Operating Company**, Atlanta,
GA (US)

(**) Term: **14 Years**

(21) Appl. No.: **29/279,598**

(22) Filed: **May 3, 2007**

(51) **LOC (8) Cl.** **08-06**

(52) **U.S. Cl.** **D8/315**

(58) **Field of Classification Search** D8/300,
D8/305, 315–321, DIG. 1; D6/633; D7/393;
D3/291, 318; D23/250–254; D13/174; 292/347,
292/336.3; 16/101.1, 412, 414–420, 443–446,
16/441, 110 R, 111 R, DIG. 19, DIG. 20
See application file for complete search history.

(56) **References Cited**

U.S. PATENT DOCUMENTS

436,523 A	9/1890	Glover	
D22,755 S	8/1893	Russell	
D35,238 S	10/1901	Tower	
784,131 A	3/1905	Assel	
D47,069 S	3/1915	Burns	
D67,474 S	6/1925	Rosenthal	
2,002,817 A	5/1935	Johnson	
D98,440 S	2/1936	Martin	
D100,034 S	6/1936	McCormick	
D104,262 S	4/1937	Hewes	
D115,537 S	7/1939	Bahr	
D116,935 S	10/1939	Jung	
D121,558 S	7/1940	Borchers	
D127,190 S	5/1941	Jung	
D150,342 S *	7/1948	Felver	D8/319
D152,901 S	3/1949	Petersen	
D169,414 S *	4/1953	Budai	D8/319
D169,533 S	5/1953	Deadrick	
2,688,297 A	9/1954	Livermont et al.	
D178,865 S	10/1956	Clayton	

2,796,627 A	6/1957	Heyer	
D186,053 S	9/1959	Clayton	
D187,521 S *	3/1960	Westman	D8/317
D194,968 S	4/1963	Stelma	

(Continued)

Primary Examiner—Stella M. Reid
Assistant Examiner—Mark A Goodwin
(74) *Attorney, Agent, or Firm*—Banner & Witcoff, Ltd.

(57) **CLAIM**

I claim the ornamental design for a pull, as shown and described.

DESCRIPTION

FIG. 1 is a perspective view of a pull of the present claimed design;

FIG. 2 is a side view of the pull shown in FIG. 1, the opposite side view being identical thereto;

FIG. 3 is a top view of the pull shown in FIG. 1, the opposite bottom view being identical thereto;

FIG. 4 is a front view of the pull shown in FIG. 1;

FIG. 5 is a rear view of the pull shown in FIG. 1;

FIG. 6 is a perspective view of an alternative embodiment of a pull of the present claimed design;

FIG. 7 is a side view of the pull shown in FIG. 6, the opposite side view being identical thereto;

FIG. 8 is a top view of the pull shown in FIG. 6, the opposite bottom view being identical thereto;

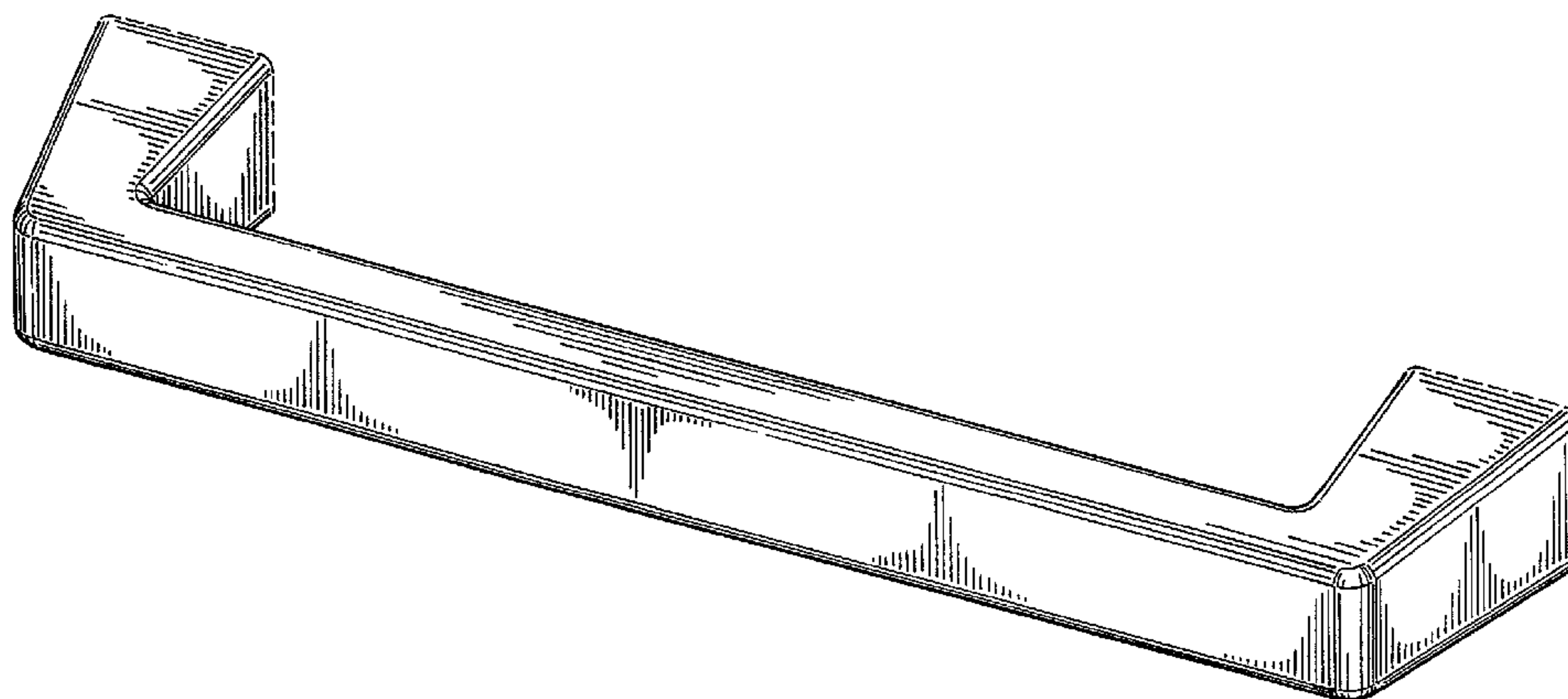
FIG. 9 is a rear view of the pull shown in FIG. 6; and,

FIG. 10 is a front view of the pull shown in FIG. 6.

Features shown in broken lines in the drawings form no part of the claimed design.

The broken away portion in FIGS. 6–10 has been shown to indicate indeterminate length.

1 Claim, 3 Drawing Sheets



US D569,704 S

U.S. PATENT DOCUMENTS					
3,096,115	A	7/1963	Patriquin et al.	D368,014	S 3/1996 Ainscough
D197,961	S *	4/1964	Heyer D8/317	D368,638	S 4/1996 Sonnenleiter
D199,839	S	12/1964	Simpson	D368,639	S 4/1996 Chieda
D200,953	S	4/1965	Menezes et al.	D368,640	S 4/1996 Sonnenleiter
D203,147	S	12/1965	Kaiser	D368,642	S 4/1996 Chieda
D203,148	S	12/1965	Kaiser	D368,643	S 4/1996 Sonnenleiter
D204,128	S	3/1966	Clayton	D368,644	S 4/1996 Bishop
D204,461	S	4/1966	Volker	D368,842	S 4/1996 Sonnenleiter
D207,898	S	6/1967	Doman	D370,613	S 6/1996 Ainscough
D217,431	S	5/1970	Russell	D370,614	S 6/1996 Ainscough
D219,702	S	1/1971	Korol	D371,062	S 6/1996 Ainscough
D222,232	S	10/1971	Horgan	D372,414	S 8/1996 De'Armond
D224,225	S	7/1972	Doman	D372,657	S 8/1996 De'Armond
D232,621	S	9/1974	Zagaroli	D372,659	S 8/1996 De'Armond
D241,843	S	10/1976	Shames	D373,065	S 8/1996 De'Armond
D252,092	S	6/1979	Popeck	D373,066	S 8/1996 De'Armond
D252,183	S	6/1979	DeWindt	D373,067	S 8/1996 De'Armond
4,193,166	A	3/1980	Neff	D374,390	S 10/1996 De'Armond
D256,862	S	9/1980	Ryan et al.	D377,655	S 1/1997 Smith
D267,187	S	12/1982	Ronvik	D377,747	S 2/1997 De'Armond
D267,774	S	2/1983	Pittenger	D381,252	S 7/1997 Chieda
D267,926	S	2/1983	Pittenger	D386,667	S 11/1997 Smith
D268,246	S	3/1983	Tegner	D388,272	S 12/1997 Moore
D270,993	S	10/1983	Tegner	D396,179	S 7/1998 Burns et al.
D270,994	S	10/1983	Tegner	D396,180	S 7/1998 Burns et al.
D271,464	S	11/1983	Carlson	D399,117	S 10/1998 Burns et al.
D272,800	S	2/1984	Pawlow	D399,406	S 10/1998 Decursu et al.
D274,035	S	5/1984	Pawlow	D399,407	S 10/1998 Burns et al.
D274,123	S	6/1984	Tegner	D399,723	S 10/1998 Burns et al.
D284,737	S	7/1986	Clayton	D401,834	S 12/1998 Burns et al.
D290,337	S	6/1987	Savage	D401,835	S 12/1998 Burns et al.
D290,493	S	6/1987	Dragos	D403,230	S * 12/1998 Ziemer et al. D8/317
D295,827	S	5/1988	Benjamin	D403,571	S 1/1999 Burns et al.
D296,073	S	6/1988	Rhoades	D406,745	S 3/1999 Burns et al.
D297,211	S	8/1988	Rhoades	D411,728	S 6/1999 O'Neil
D300,505	S	4/1989	Palm, Jr. et al.	D411,729	S 7/1999 O'Neil
D305,862	S	2/1990	Clayton	D411,794	S 7/1999 O'Neil
D305,863	S	2/1990	Gresens et al.	D411,795	S 7/1999 O'Neil
D312,381	S	11/1990	Clayton	D413,248	S 8/1999 O'Neil
D322,659	S	12/1991	Reid et al.	D414,100	S 9/1999 O'Neil
D323,726	S	2/1992	Murphy	D415,257	S 10/1999 Abel
D326,219	S	5/1992	Clayton	D415,405	S 10/1999 O'Neil
D326,990	S	6/1992	Bishop	D416,465	S 11/1999 O'Neil
D326,991	S	6/1992	Bishop	D418,387	S 1/2000 O'Neil
D326,992	S	6/1992	Clayton	D418,388	S 1/2000 O'Neil
D326,993	S	6/1992	Clayton	D418,389	S 1/2000 O'Neil
D326,994	S	6/1992	Bishop	D418,803	S 1/2000 Klimenko
D326,997	S	6/1992	Clayton	D429,455	S 8/2000 Burns et al.
D327,196	S	6/1992	Crook et al.	D429,991	S 8/2000 Short
D327,407	S	6/1992	Clayton	D431,442	S 10/2000 Short
D327,420	S	6/1992	Bishop	D431,444	S 10/2000 Short
D327,530	S	6/1992	Rawald	D431,445	S 10/2000 Short
D333,697	S	3/1993	Thomas	D431,996	S 10/2000 Short
5,255,413	A	10/1993	Sabo	D434,633	S 12/2000 Short
5,333,430	A	8/1994	Vidal	D434,962	S 12/2000 Short
D355,834	S	2/1995	Chieda	D434,963	S 12/2000 Short
D355,835	S	2/1995	Chieda	D435,424	S 12/2000 Short
D355,837	S	2/1995	Chieda	D435,426	S 12/2000 Short
D355,838	S	2/1995	Chieda	D437,202	S 2/2001 O'Neil
D355,839	S	2/1995	Chieda	D442,462	S 5/2001 Dewald et al.
D356,724	S	3/1995	Chieda	D506,378	S 6/2005 Coudurier
D357,168	S	4/1995	Chieda	D511,956	S * 11/2005 Elwell et al. D8/322
D361,491	S	8/1995	Chieda	D513,694	S * 1/2006 Vitkauskas D8/300
D361,492	S	8/1995	Chieda	D526,883	S 8/2006 Gilbert
D361,493	S	8/1995	Chieda	D530,590	S * 10/2006 Singtoroj et al. D8/302
D361,496	S	8/1995	Chieda	D541,131	S 4/2007 Ricereto et al.
D361,498	S	8/1995	Chieda	D541,619	S 5/2007 Ricereto
D361,707	S	8/1995	Chieda	D542,116	S 5/2007 Ricereto et al.
D366,998	S	2/1996	Hollingsworth	D542,119	S 5/2007 Ricereto
D367,217	S	2/1996	Hollingsworth-Ainscough	D542,622	S 5/2007 Ricereto
D367,417	S	2/1996	Ainscough		

US D569,704 S

Page 3

D542,623 S	5/2007	Ricereto	D551,056 S *	9/2007	Ricereto	D8/317
D543,088 S	5/2007	Ricereto				
D543,436 S	5/2007	Ricereto				
D545,665 S	7/2007	Ricereto et al.				

* cited by examiner

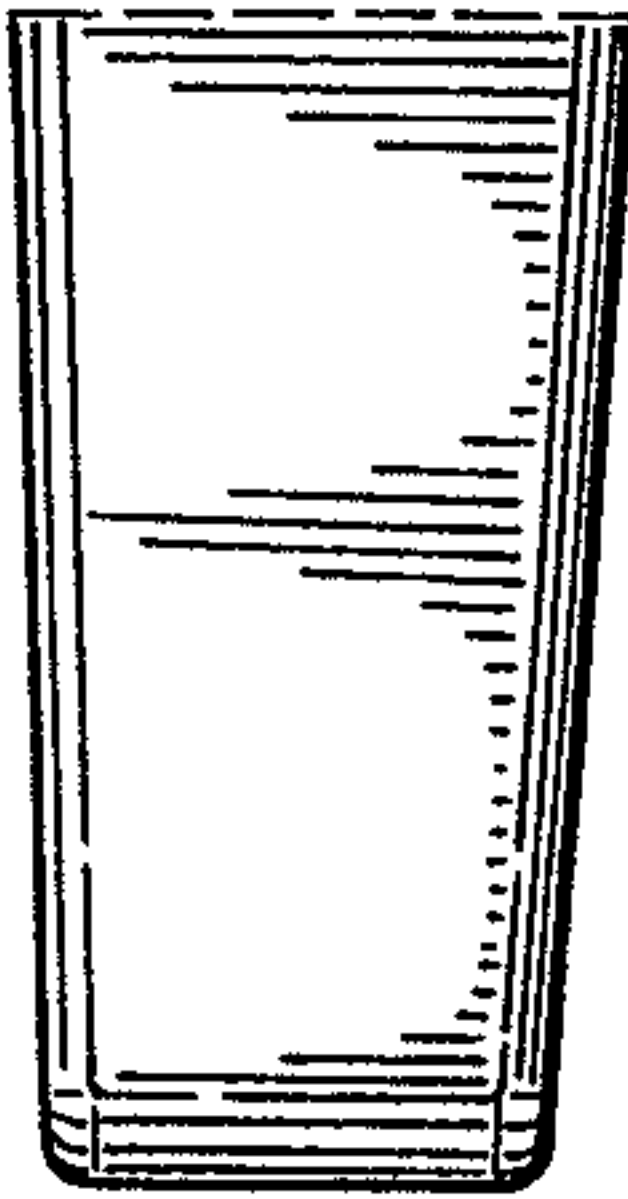


FIG. 2

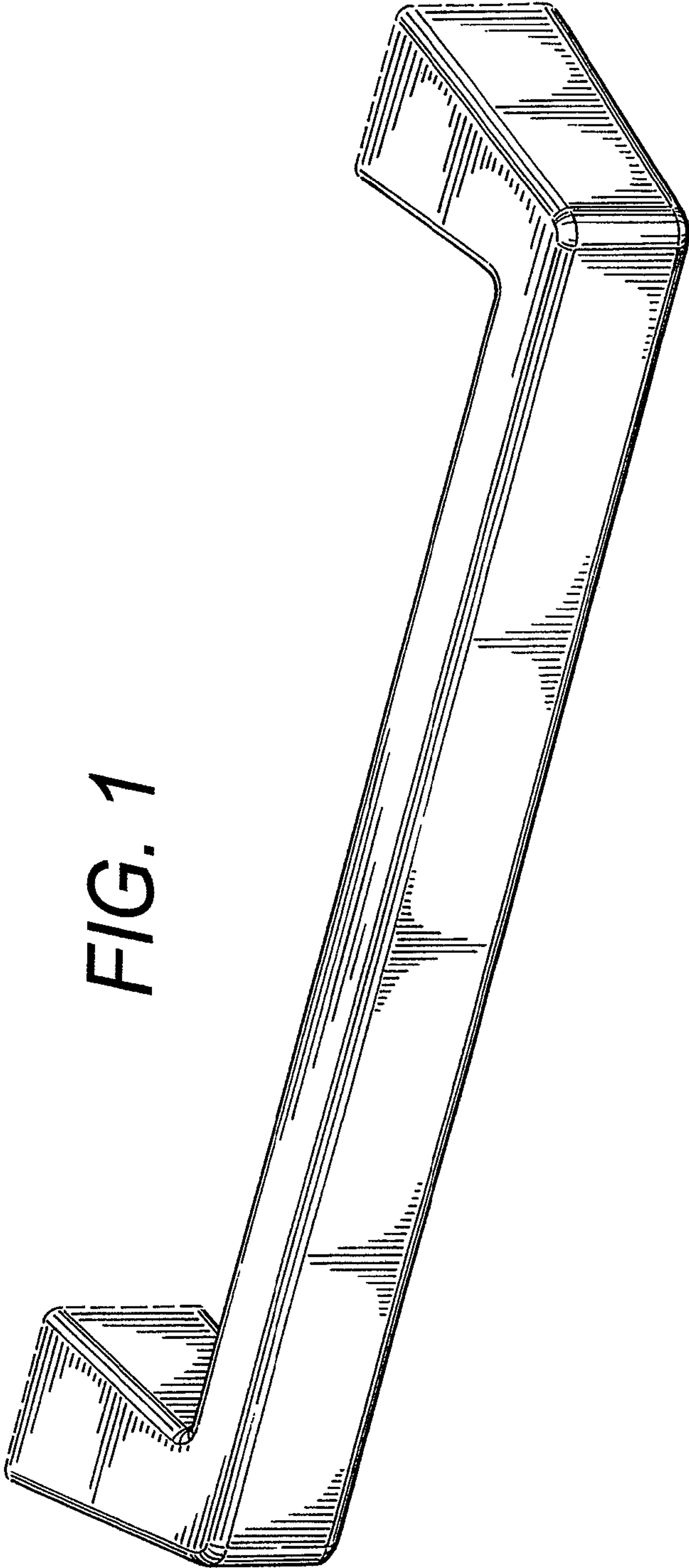


FIG. 1

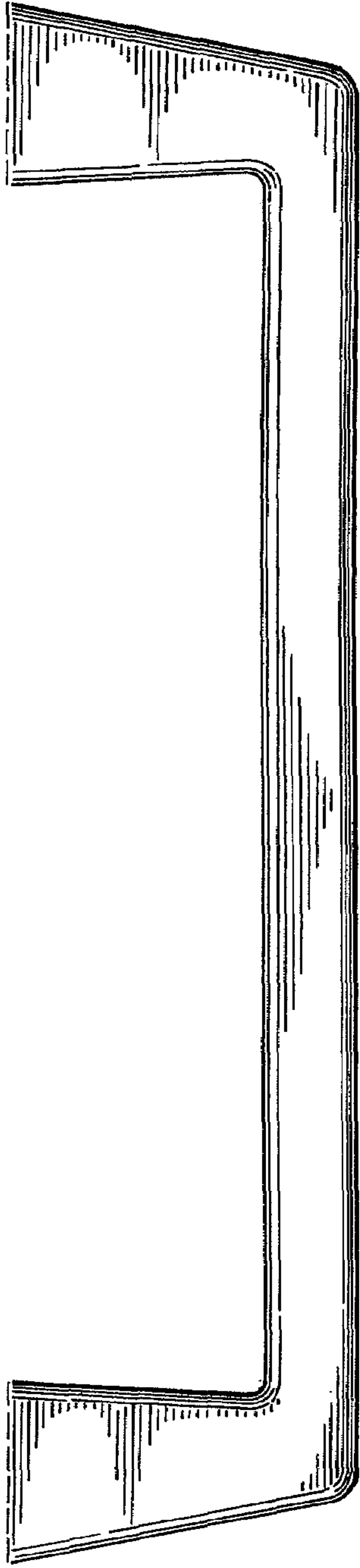


FIG. 3

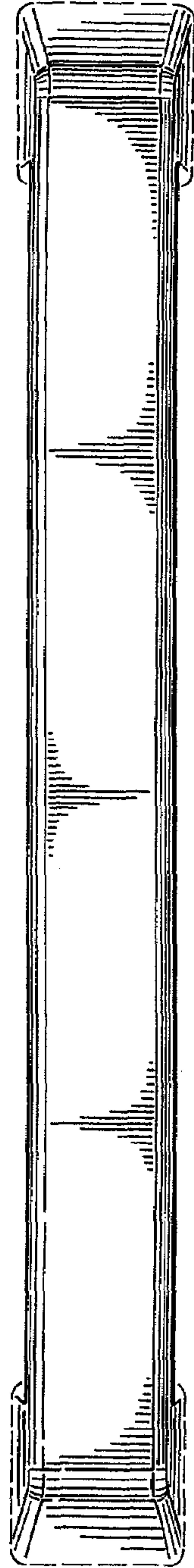


FIG. 4

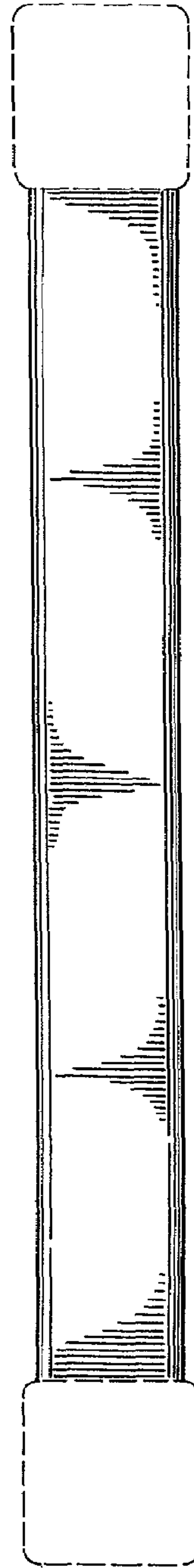


FIG. 5

FIG. 6

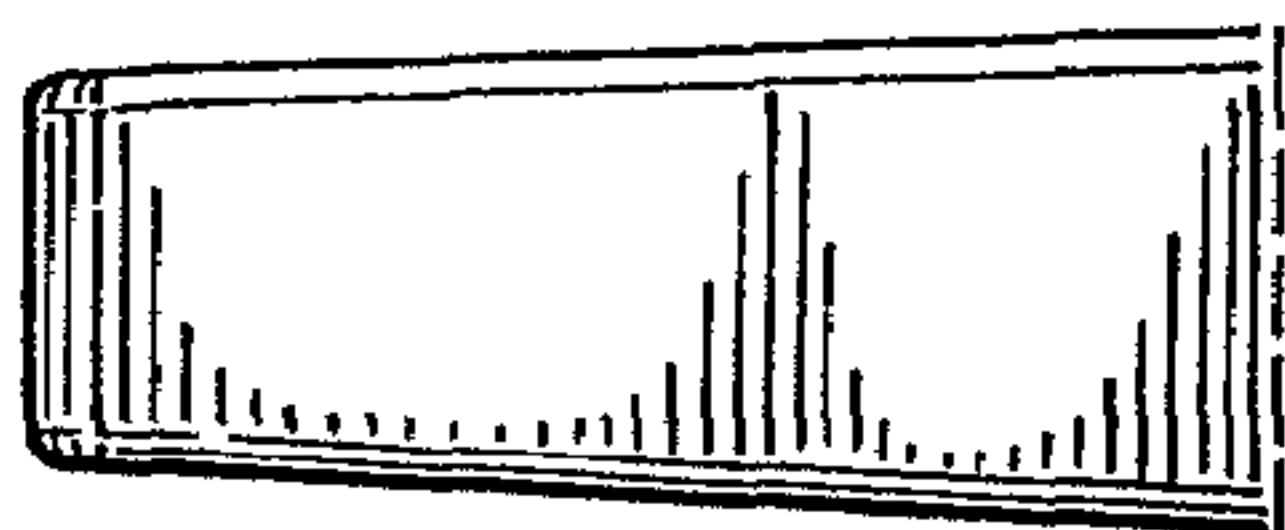
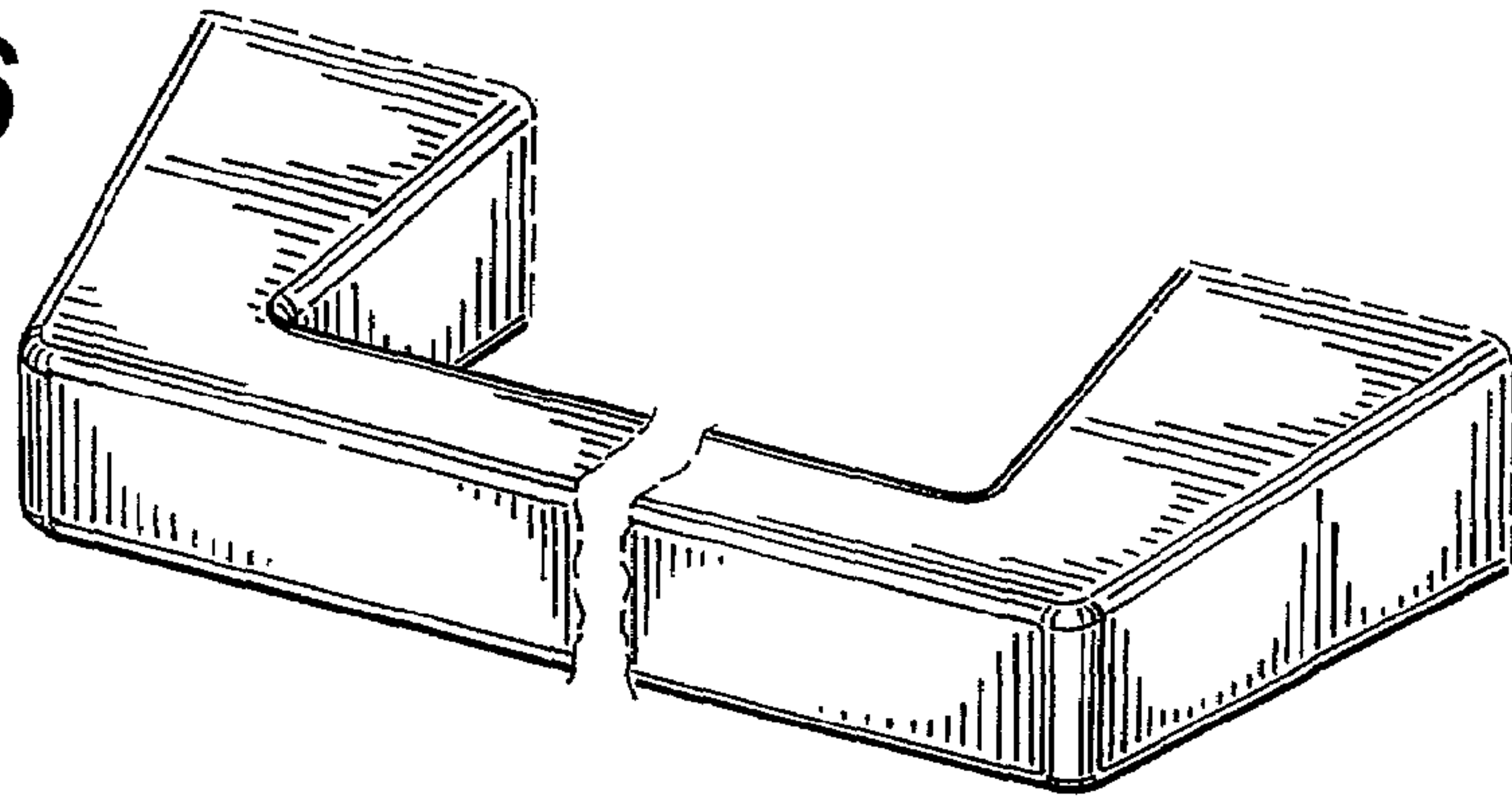


FIG. 7

FIG. 8

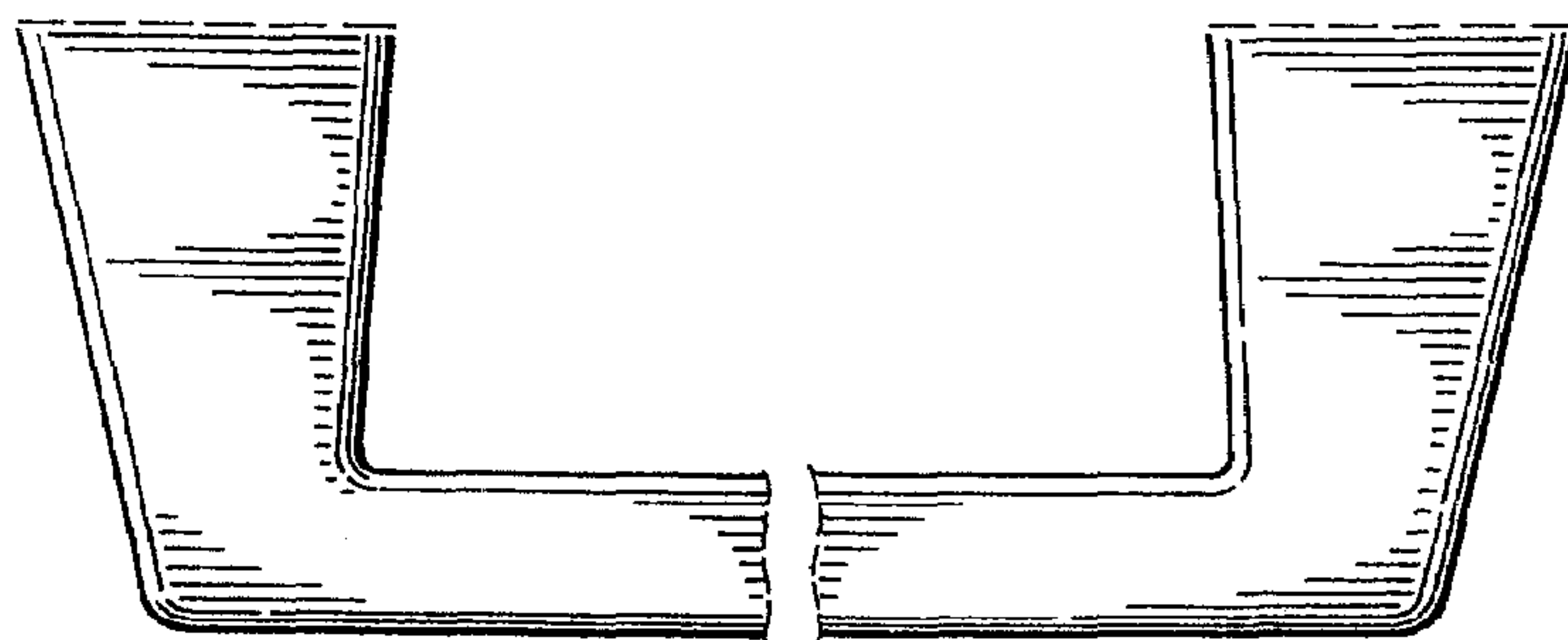


FIG. 9

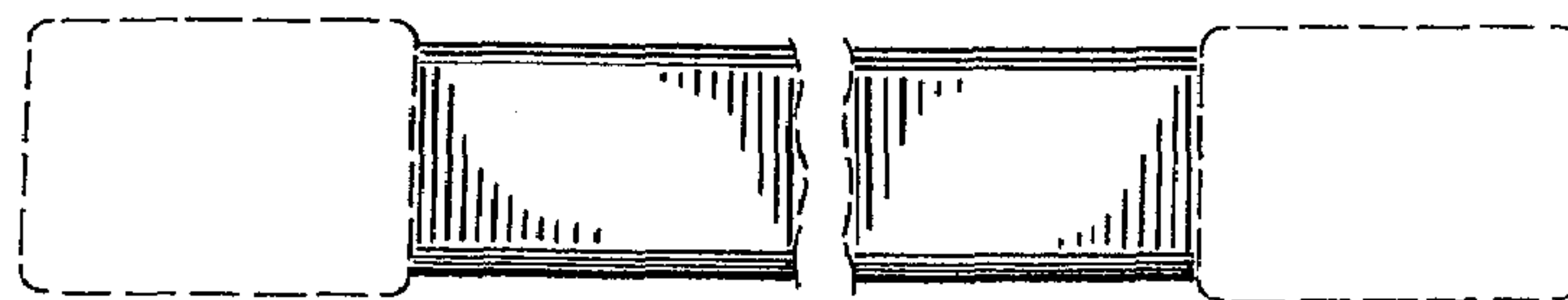


FIG. 10

