



US00D569702S

(12) **United States Design Patent**  
**Groten**

(10) **Patent No.:** **US D569,702 S**

(45) **Date of Patent:** **\*\* May 27, 2008**

(54) **TUBE CUTTER**

(75) Inventor: **Bernard Groten**, Irun (ES)

(73) Assignee: **Zenten Bernhard Groten, S.L.**, Irun  
(Guipuzcoa) (ES)

(\*\*) Term: **14 Years**

(21) Appl. No.: **29/195,438**

(22) Filed: **Dec. 11, 2003**

(30) **Foreign Application Priority Data**

Jun. 12, 2003 (EM) ..... 000041009

(51) **LOC (8) Cl.** ..... **08-05**

(52) **U.S. Cl.** ..... **D8/60**

(58) **Field of Classification Search** ..... D8/51,  
D8/57, 60, 107, 312; D10/70, 73; D15/127;  
30/92, 93, 94, 95, 96, 97, 101, 102  
See application file for complete search history.

(56) **References Cited**

**U.S. PATENT DOCUMENTS**

1,945,949	A *	2/1934	Myers	.....	7/157
D196,936	S *	11/1963	Franck	.....	D8/60
3,135,050	A *	6/1964	Franck	.....	30/102
3,624,682	A *	11/1971	Kowal	.....	30/102
5,099,577	A *	3/1992	Hutt	.....	30/101

D401,946	S *	12/1998	Azkona	.....	D15/127
6,055,732	A *	5/2000	Hu	.....	30/102
D431,765	S *	10/2000	Huang	.....	D8/60
6,393,700	B1 *	5/2002	Babb	.....	30/102
D485,150	S *	1/2004	Loparo	.....	D8/107
6,739,055	B2 *	5/2004	Lee	.....	30/98

\* cited by examiner

*Primary Examiner*—Alan P. Douglas

*Assistant Examiner*—Deanna Fluegeman

(74) *Attorney, Agent, or Firm*—Koda & Androlia

(57) **CLAIM**

The ornamental design for tube cutter, as shown and described.

**DESCRIPTION**

FIG. 1 is a perspective view taken from the front, top and left side of the tube cutter of my new design;

FIG. 2 is a front elevational view thereof;

FIG. 3 is a rear elevational view thereof;

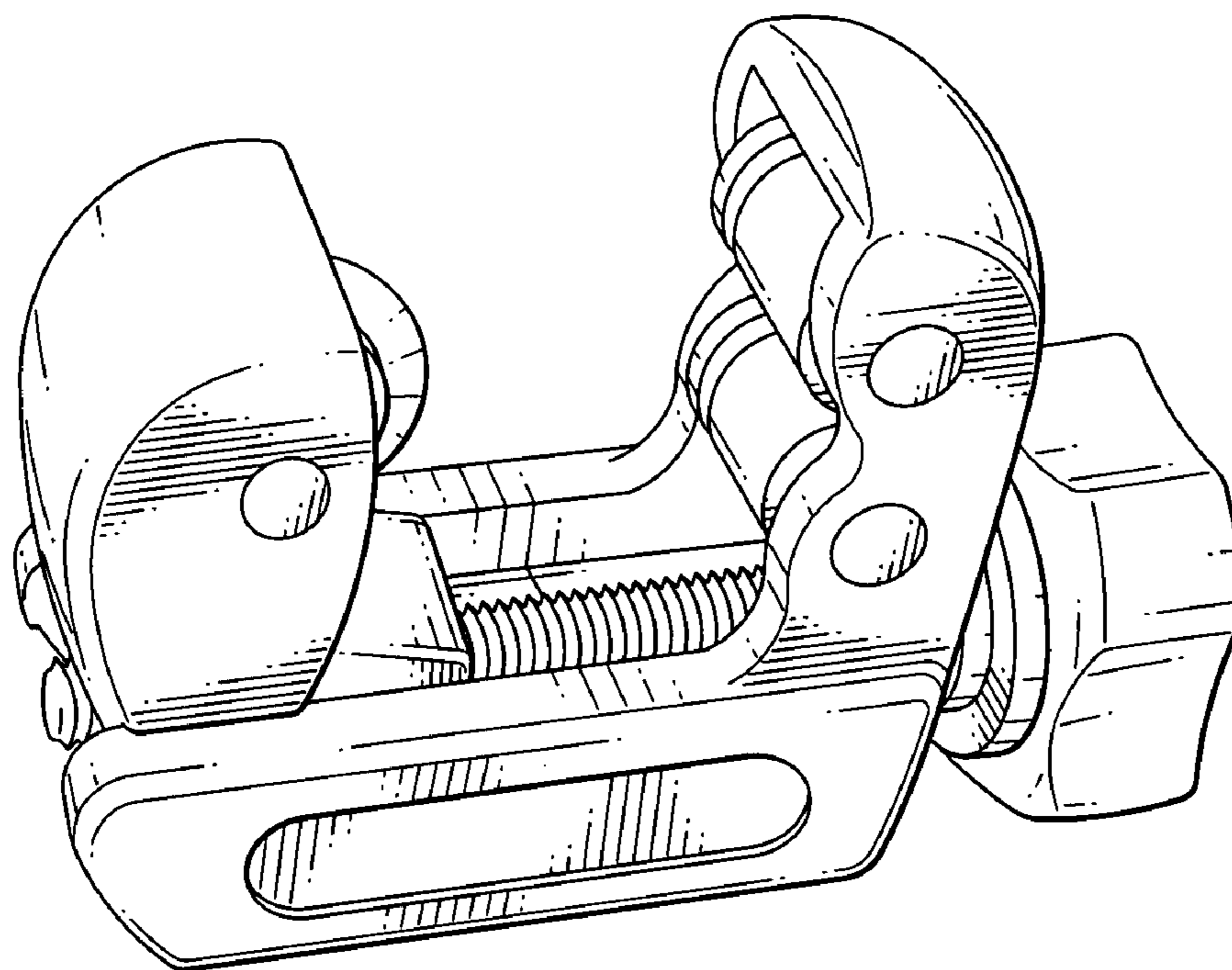
FIG. 4 is a left side elevational view thereof;

FIG. 5 is a right side elevational view thereof;

FIG. 6 is a top plan view thereof; and,

FIG. 7 is a bottom plan view thereof.

**1 Claim, 4 Drawing Sheets**



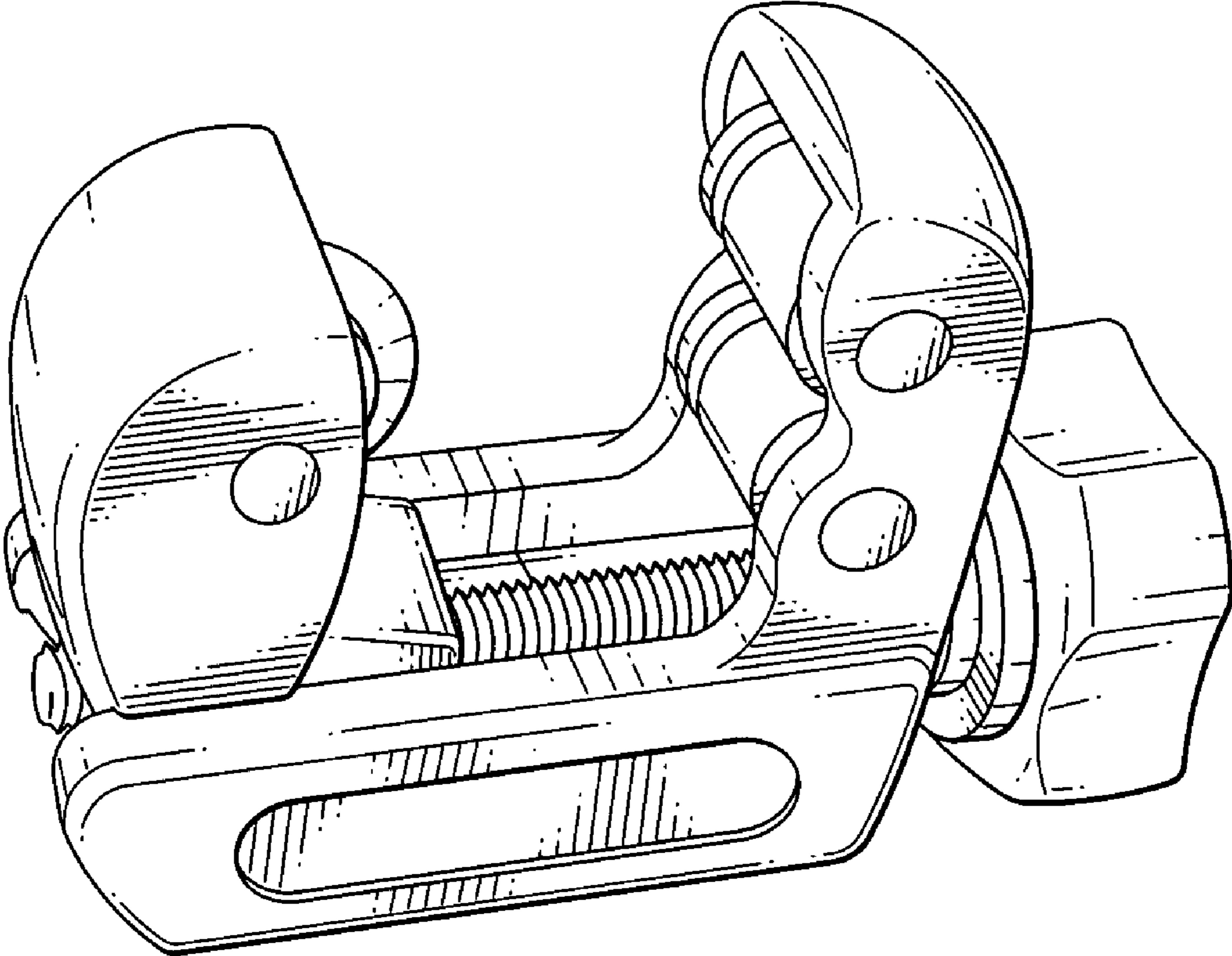


FIG. 1

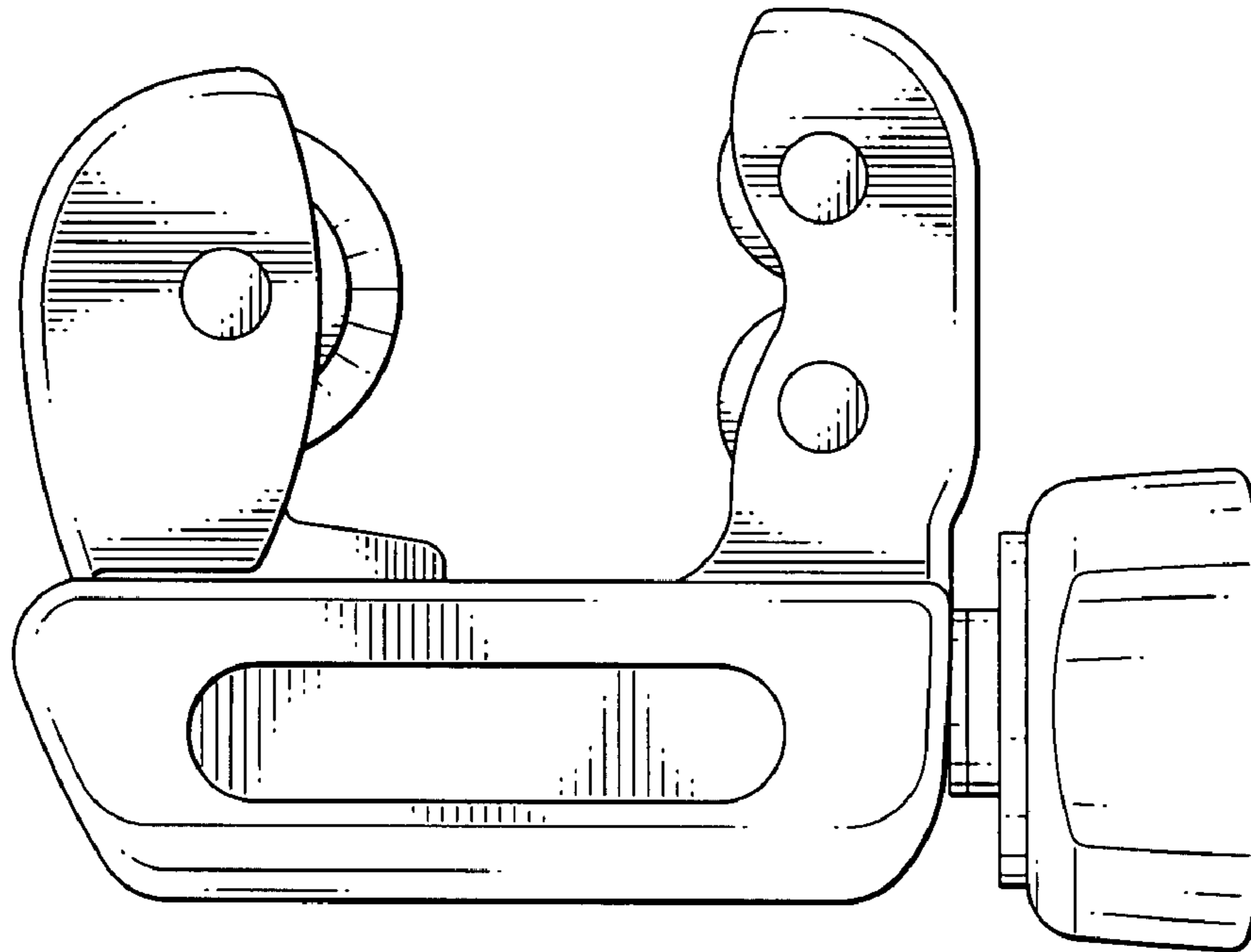


FIG. 2

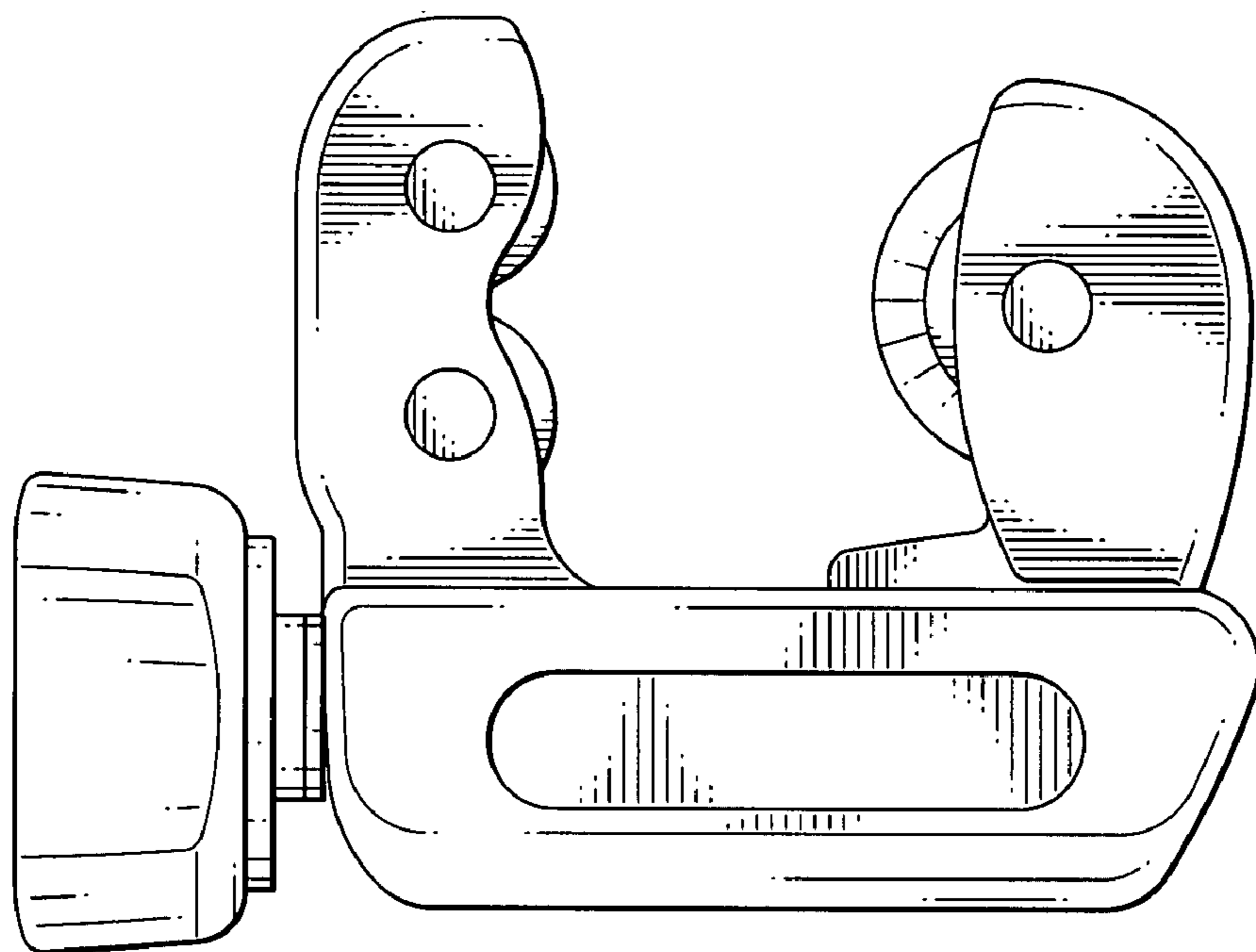


FIG. 3

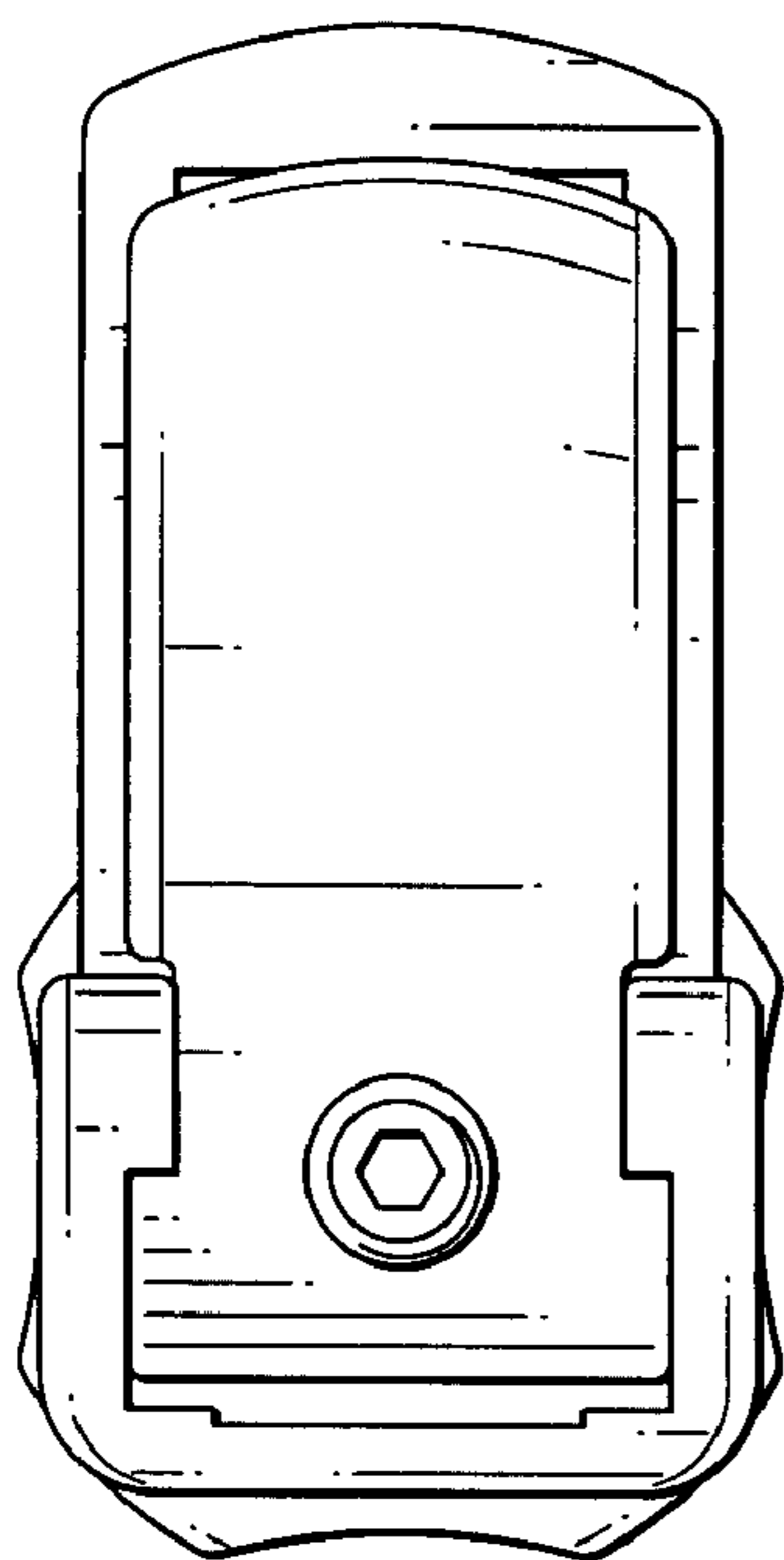


FIG. 4

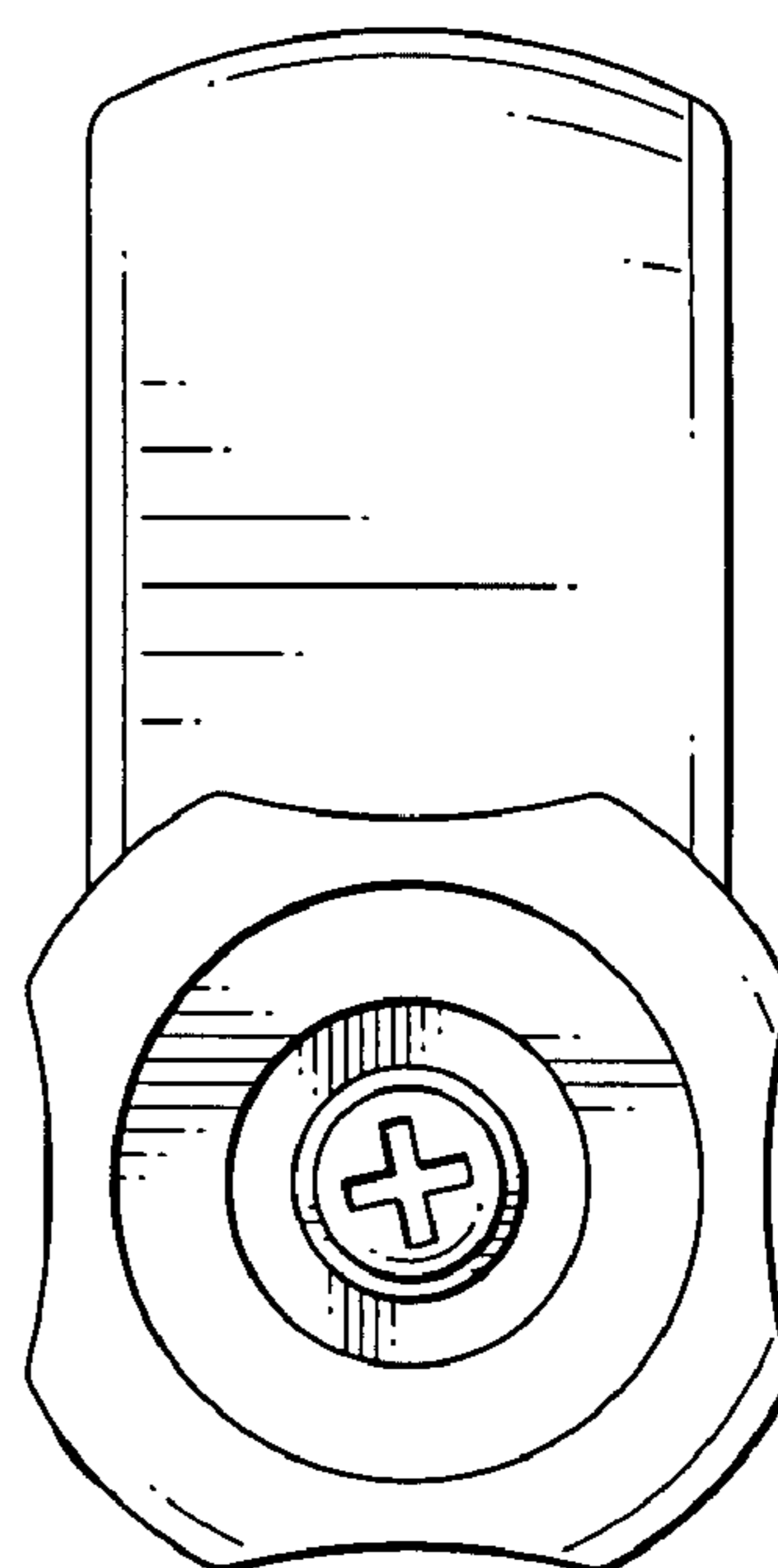


FIG. 5

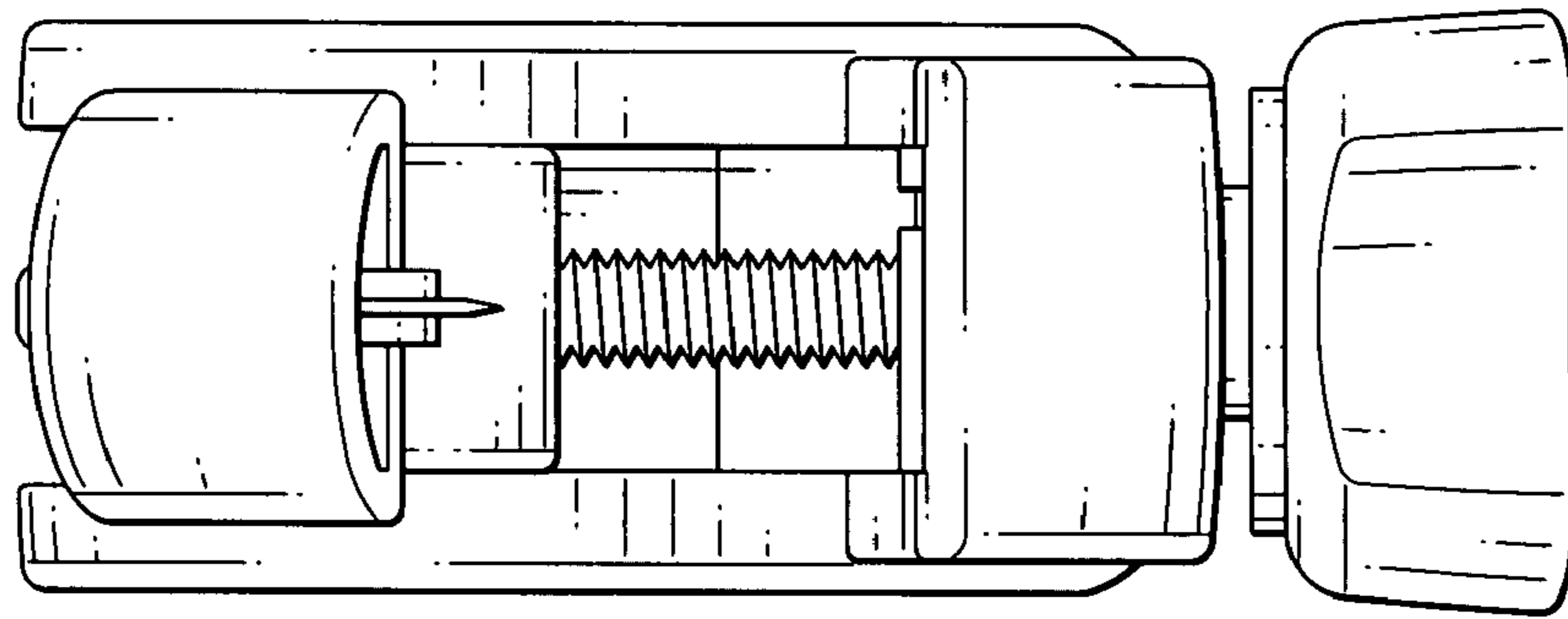


FIG. 6

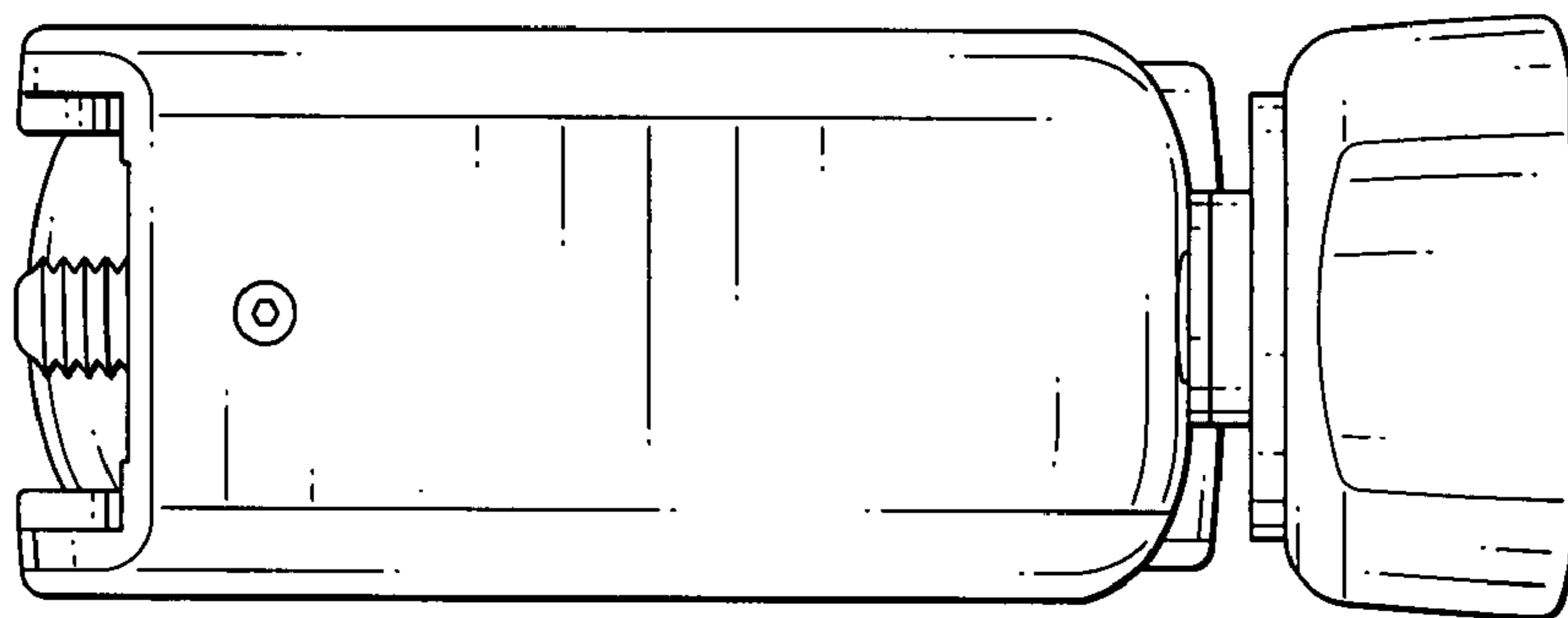


FIG. 7