



US00D569701S

(12) **United States Design Patent**
Haquin

(10) **Patent No.:** **US D569,701 S**

(45) **Date of Patent:** **** May 27, 2008**

- (54) **SCISSORS**
- (75) Inventor: **Jean-Claude Haquin**, Is-en-Bassigny (FR)
- (73) Assignee: **JCH International, SARL**, Is-en-Bassigny (FR)
- (**) Term: **14 Years**
- (21) Appl. No.: **29/260,654**
- (22) Filed: **May 30, 2006**
- (51) **LOC (8) Cl.** **08-03**
- (52) **U.S. Cl.** **D8/57**
- (58) **Field of Classification Search** 30/29, 30/266, 256, 254, 232, 341; D8/57, 58; D28/44, D28/57, 60
See application file for complete search history.

- 5,033,195 A 7/1991 Appelkvist et al.
- 5,097,599 A 3/1992 Hasegawa
- D326,165 S 5/1992 Leihe
- D329,792 S 9/1992 Chen
- D337,248 S 7/1993 Tanfoglio
- D337,249 S 7/1993 Williams
- D368,418 S 4/1996 Aida

(Continued)

FOREIGN PATENT DOCUMENTS

FR	007138	3/2001	
FR	024494	12/2002	
FR	027673	3/2003	
FR	033477	11/2003	
FR	054876	12/2005	
FR	055361	12/2005	
JP	2005304655 A *	11/2005	30/254

Primary Examiner—Jennifer Rivard
(74) *Attorney, Agent, or Firm*—Gary M. Cohen

(56) **References Cited**

U.S. PATENT DOCUMENTS

29,250 A	7/1860	DeCoursey	
116,432 A	6/1871	Gladwin	
D53,606 S *	7/1919	Rauh	D8/57
D137,343 S *	2/1944	Schlesinger	D8/57
D137,344 S	2/1944	Schlesinger	
D137,345 S	2/1944	Schlesinger	
D183,391 S	8/1958	Kaplan	
3,680,210 A	8/1972	Steinman	
D231,186 S	4/1974	Laurenti	
D247,606 S	3/1978	Breger	
D248,726 S *	8/1978	Okada	D8/57
D254,421 S *	3/1980	Backstrom	D8/57
D258,714 S *	3/1981	Backstrom	D8/57
D259,852 S	7/1981	Machida	
D277,450 S	2/1985	Hayashi	
D281,104 S *	10/1985	Davison	D8/57
4,739,552 A	4/1988	Thomas	
D296,295 S	6/1988	Cain	
D297,206 S *	8/1988	Hayashi	D8/57
D302,783 S *	8/1989	Katsuhiko	D8/57
D308,736 S	6/1990	Pina	
D313,157 S *	12/1990	Evenson	D8/57
5,007,170 A	4/1991	Mayama	

(57) **CLAIM**

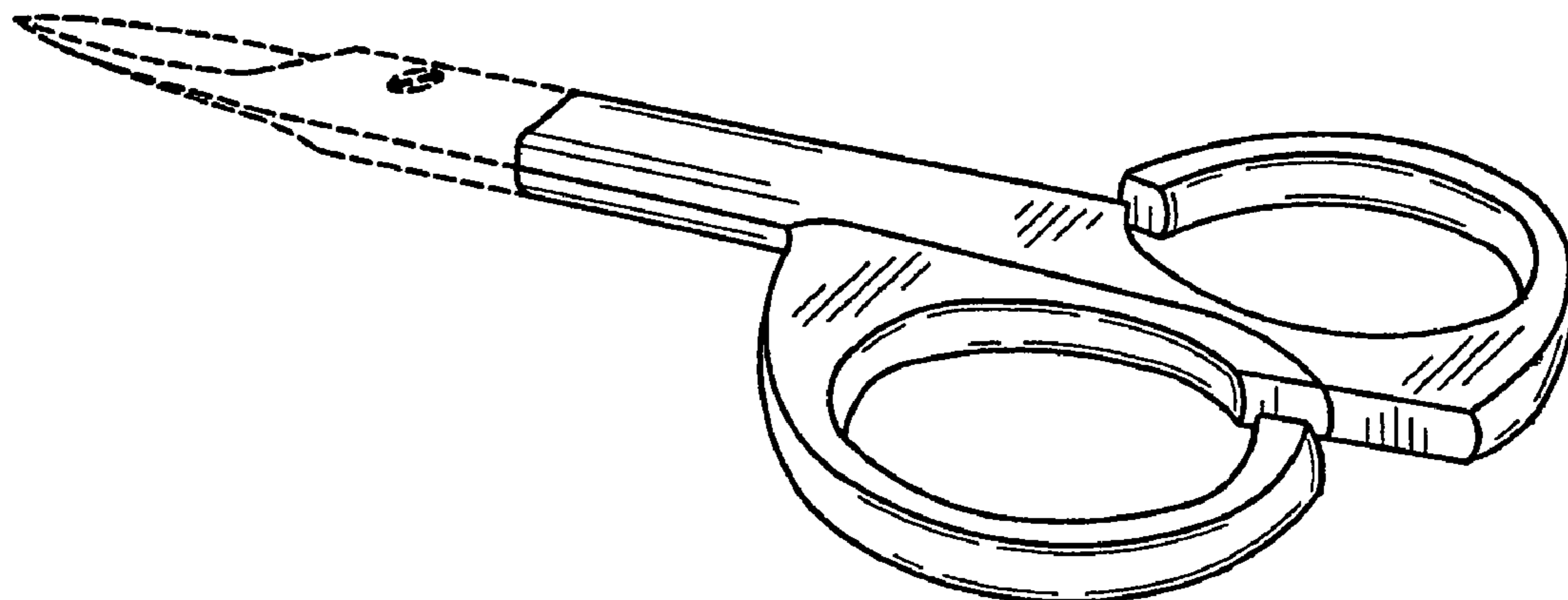
The ornamental design for a scissors, as shown and described.

DESCRIPTION

FIG. 1 is a top view of the scissors of my new design;
 FIG. 2 is a side view thereof;
 FIG. 3 is a bottom view thereof;
 FIG. 4 is an opposing side view thereof;
 FIGS. 5 and 6 are opposing end views thereof;
 FIG. 7 is an isometric view thereof;
 FIG. 8 is a top view thereof, shown in an opened position; and,
 FIG. 9 is a bottom view thereof, shown in an opened position.

The broken lines in the drawings illustrate the scissors of the present design as it would appear as a straight nail scissors, which forms no part of the design to be patented.

1 Claim, 2 Drawing Sheets



US D569,701 S

Page 2

U.S. PATENT DOCUMENTS

5,701,672	A	12/1997	Wachtel et al.						
5,758,422	A	6/1998	Frank						
D406,998	S	*	3/1999	Thomas	D8/57			
D413,778	S	*	9/1999	Matthews et al.	D8/57			
5,964,038	A	*	10/1999	DeVito	30/254			
D427,497	S		7/2000	Yeh					
D459,642	S		7/2002	Haquin					
D461,109	S		8/2002	Kurz					
D489,844	S		5/2004	Merheje					
D494,321	S		8/2004	Haquin					
D497,690	S		10/2004	Haquin					
D507,947	S	*	8/2005	Haquin	D8/58			
2004/0211068	A1	*	10/2004	Yusufov et al.	30/232			
2005/0126012	A1	*	6/2005	Ferman	30/232			

* cited by examiner

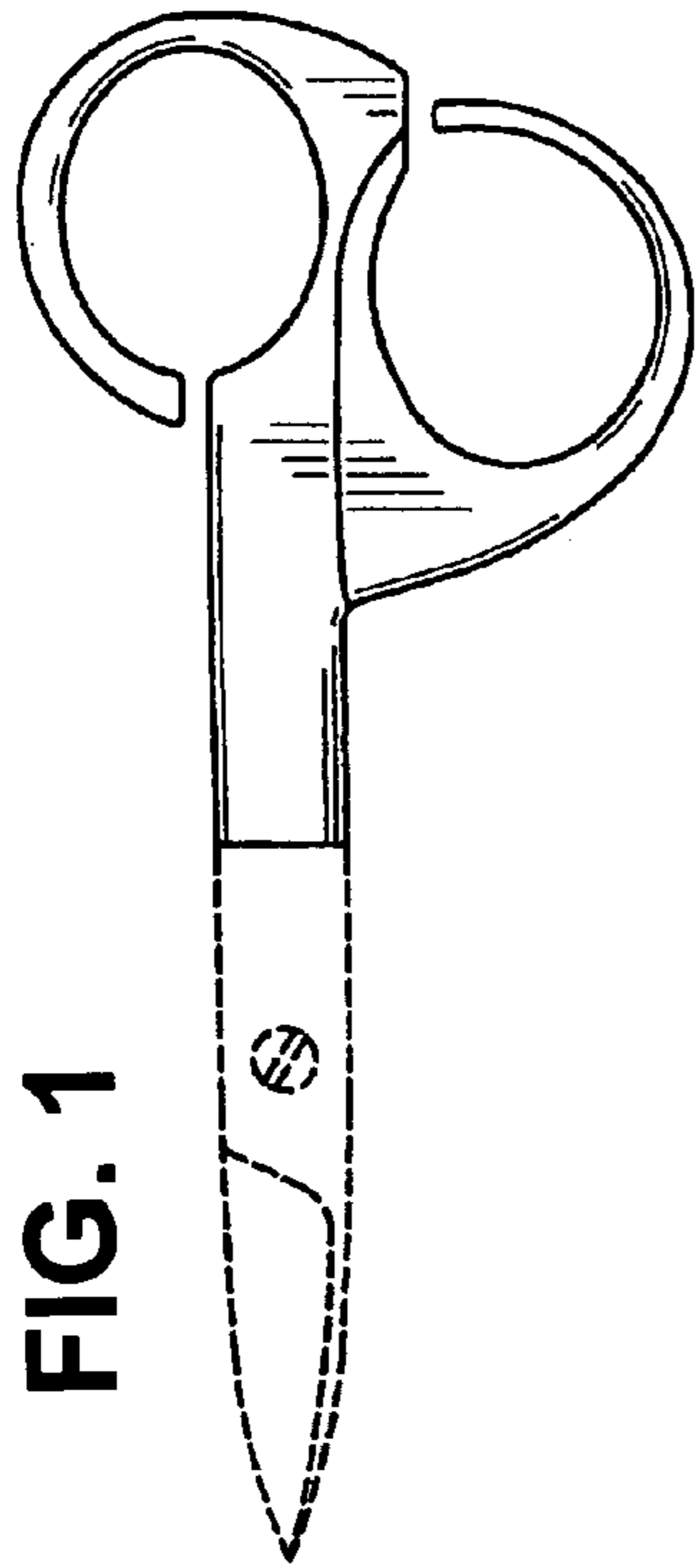


FIG. 1



FIG. 6



FIG. 2

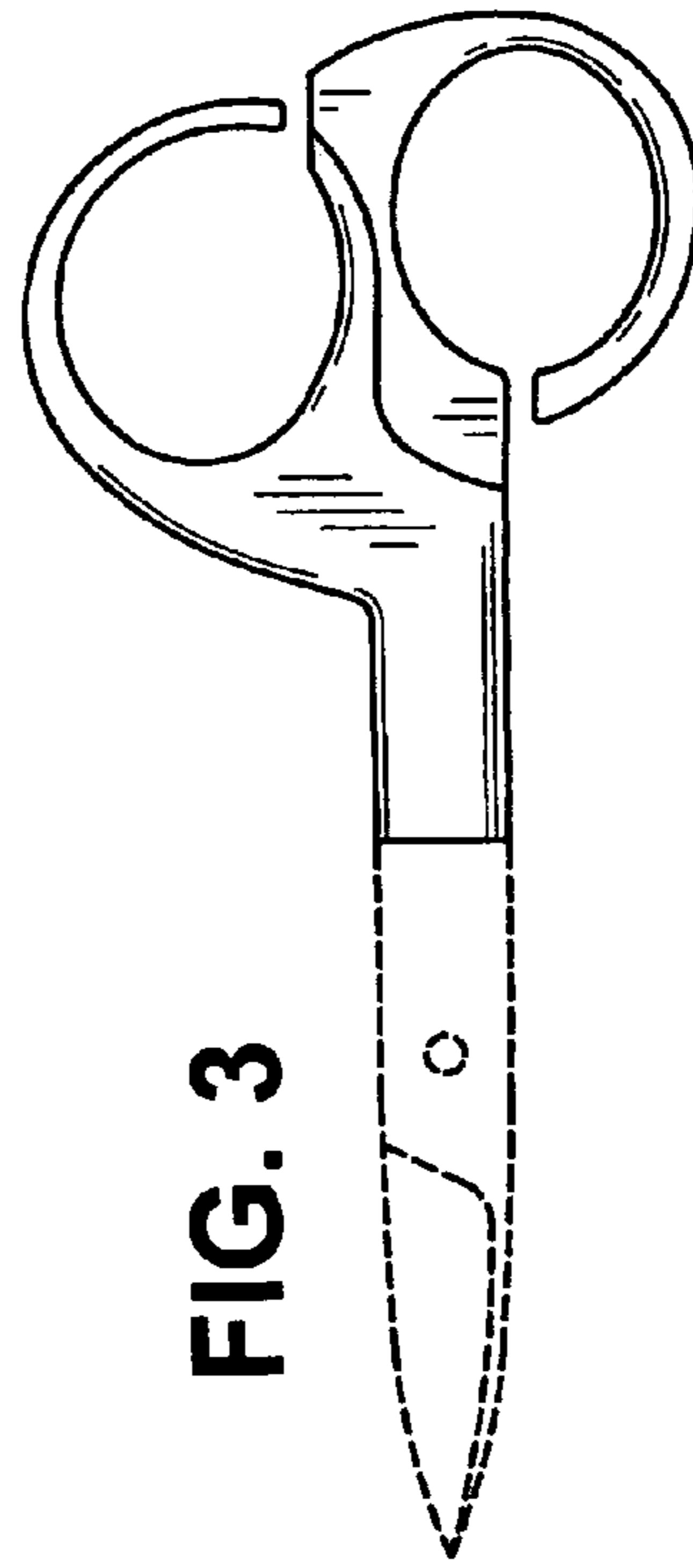


FIG. 3



FIG. 5



FIG. 4

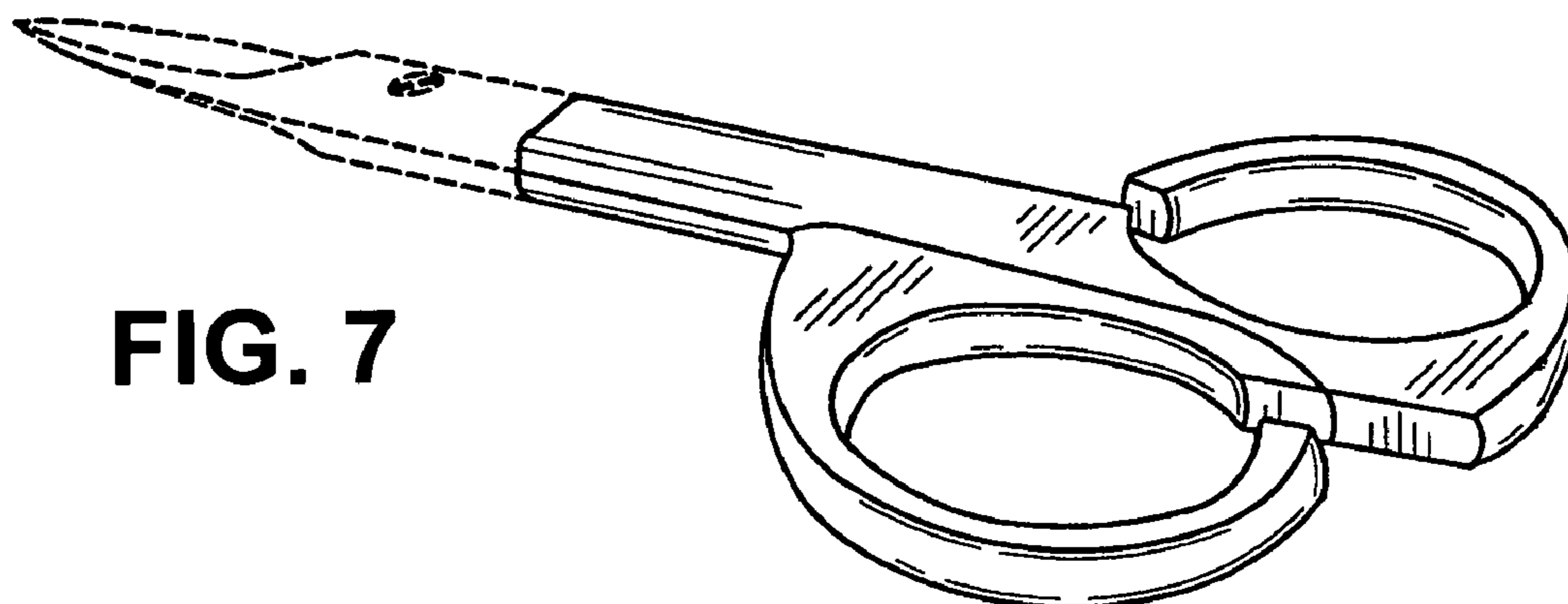


FIG. 7

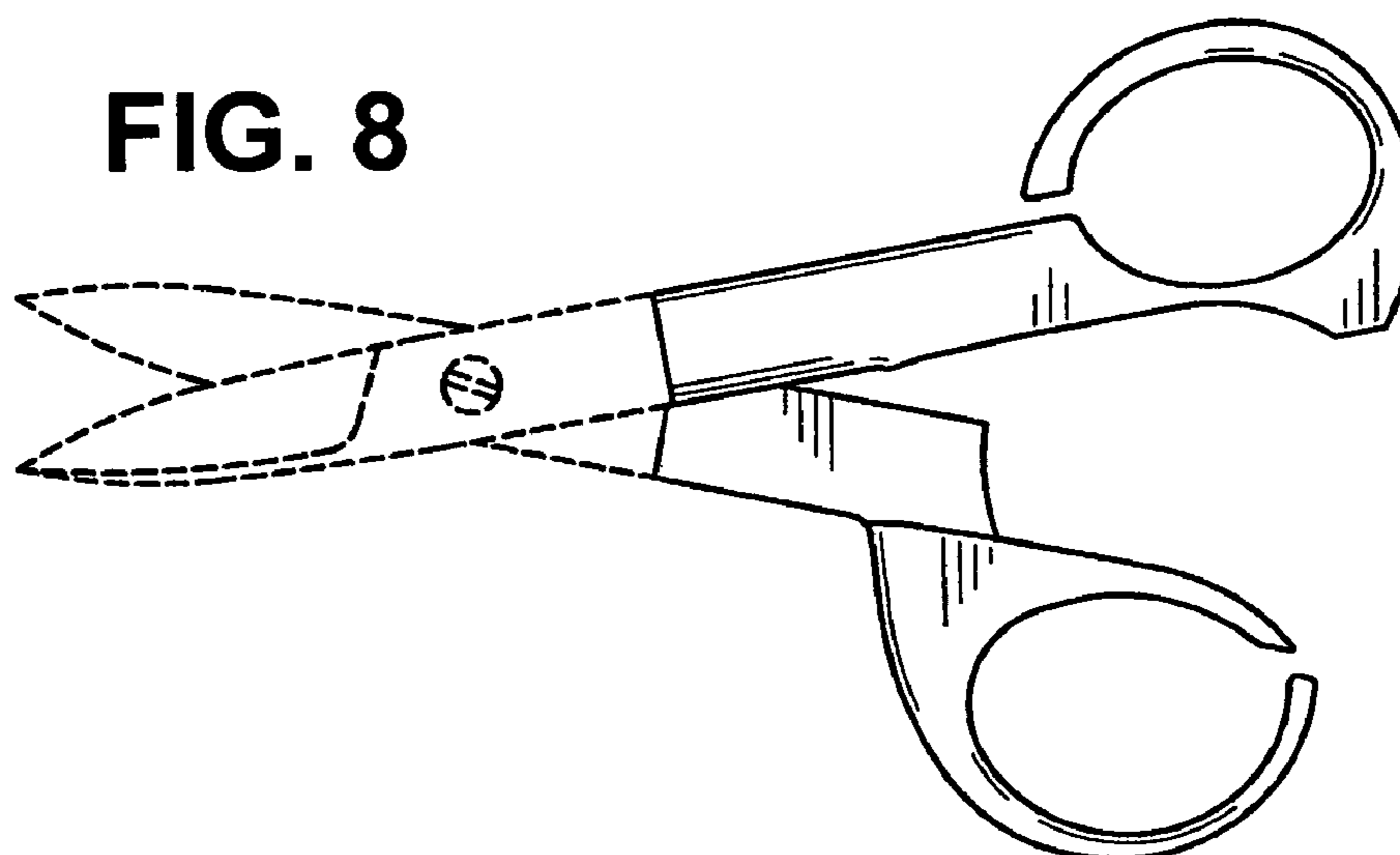


FIG. 8

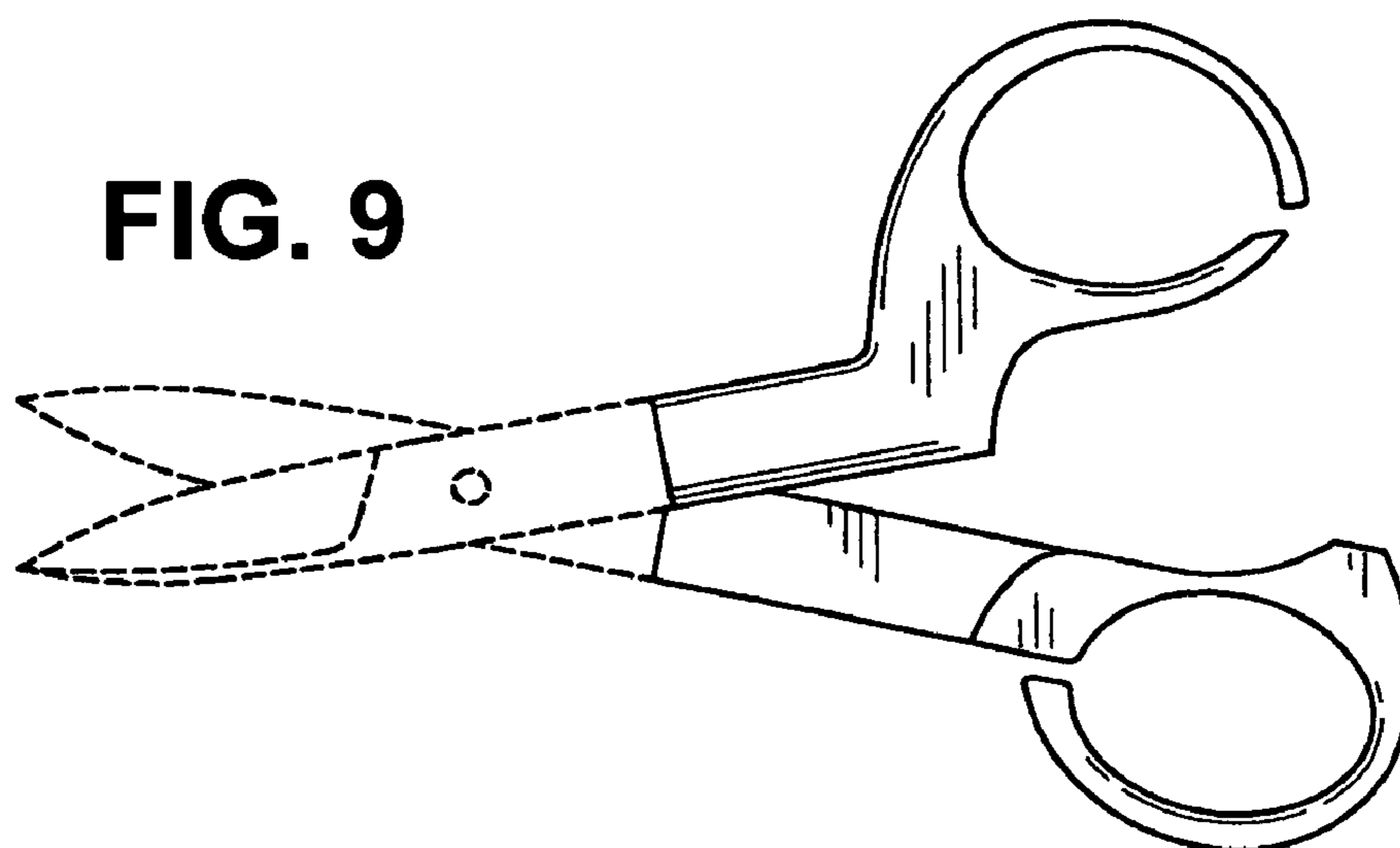


FIG. 9