



US00D569700S

(12) **United States Design Patent**
Wakefield et al.

(10) **Patent No.:** **US D569,700 S**

(45) **Date of Patent:** **** May 27, 2008**

(54) **SLEEK DESKTOP STAPLER**

(75) Inventors: **Scott Wakefield**, Andover, MA (US);
William Chura, Medford, MA (US);
Thomas Eagan, Chelmsford, MA (US);
Ashley Perkins, Lowell, MA (US); **Joel S. Marks**, Sherman Oaks, CA (US)

(73) Assignee: **Accentra, Inc.**, Newtown, PA (US)

(**) Term: **14 Years**

(21) Appl. No.: **29/297,920**

(22) Filed: **Nov. 21, 2007**

(51) **LOC (8) Cl.** **19-02**

(52) **U.S. Cl.** **D8/50**

(58) **Field of Classification Search** D8/49,
D8/50, 61, 68, 69; D19/72, 73, 65, 69; D21/532;
D24/145; 7/158, 160; 227/4, 5, 6, 7, 8,
227/120, 127, 128, 131, 132, 134, 144, 156,
227/175.1; 606/139, 143, 153, 219
See application file for complete search history.

(56) **References Cited**

U.S. PATENT DOCUMENTS

D436,009 S *	1/2001	Chi Kuo	D8/50
D436,010 S *	1/2001	Nakamura	D8/50
D446,430 S *	8/2001	Arns	D8/50
D470,025 S *	2/2003	Joss et al.	D8/50
D478,485 S *	8/2003	Huang	D8/50

D478,486 S *	8/2003	Scola et al.	D8/50
D479,678 S *	9/2003	Huang	D8/50
D502,369 S *	3/2005	Nakamura	D8/50
D517,883 S *	3/2006	Tsai	D8/50
D530,999 S *	10/2006	Kent et al.	D8/50
D554,456 S *	11/2007	Chang	D8/50

* cited by examiner

Primary Examiner—Cathron C. Brooks

Assistant Examiner—Austin Murphy

(74) *Attorney, Agent, or Firm*—Paul Y. Feng; Fulwider Patton, LLP

(57) **CLAIM**

The ornamental design for a sleek desktop stapler, as shown and described.

DESCRIPTION

FIG. 1 is a perspective view of a sleek desktop stapler showing my new design;

FIG. 2 is a left side elevational view of the sleek desktop stapler depicted in FIG. 1;

FIG. 3 is a right side elevational view thereof;

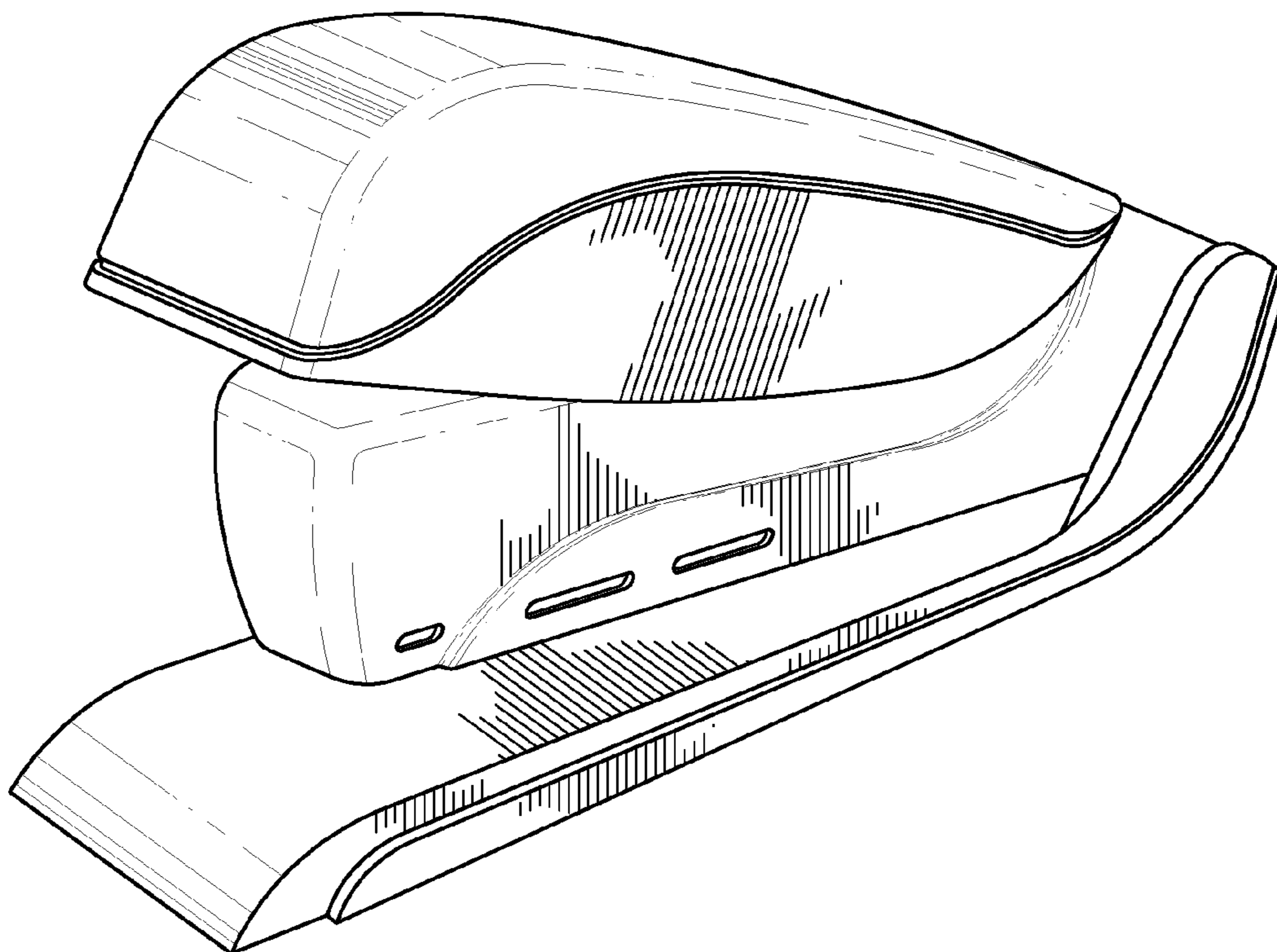
FIG. 4 is a top plan view thereof;

FIG. 5 is a bottom view thereof;

FIG. 6 is a front elevational view thereof; and,

FIG. 7 is a rear elevational thereof.

1 Claim, 4 Drawing Sheets



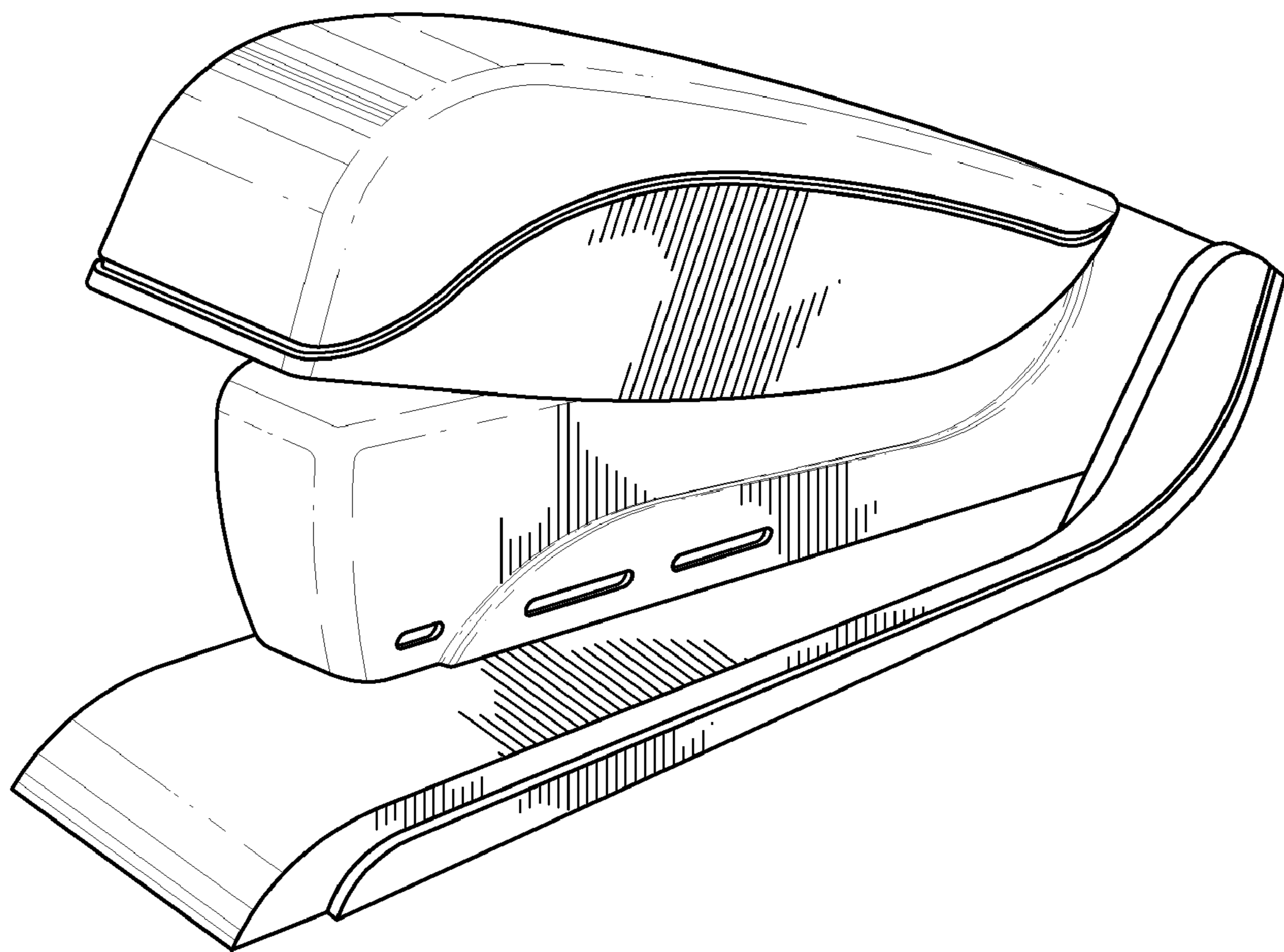


FIG. 1

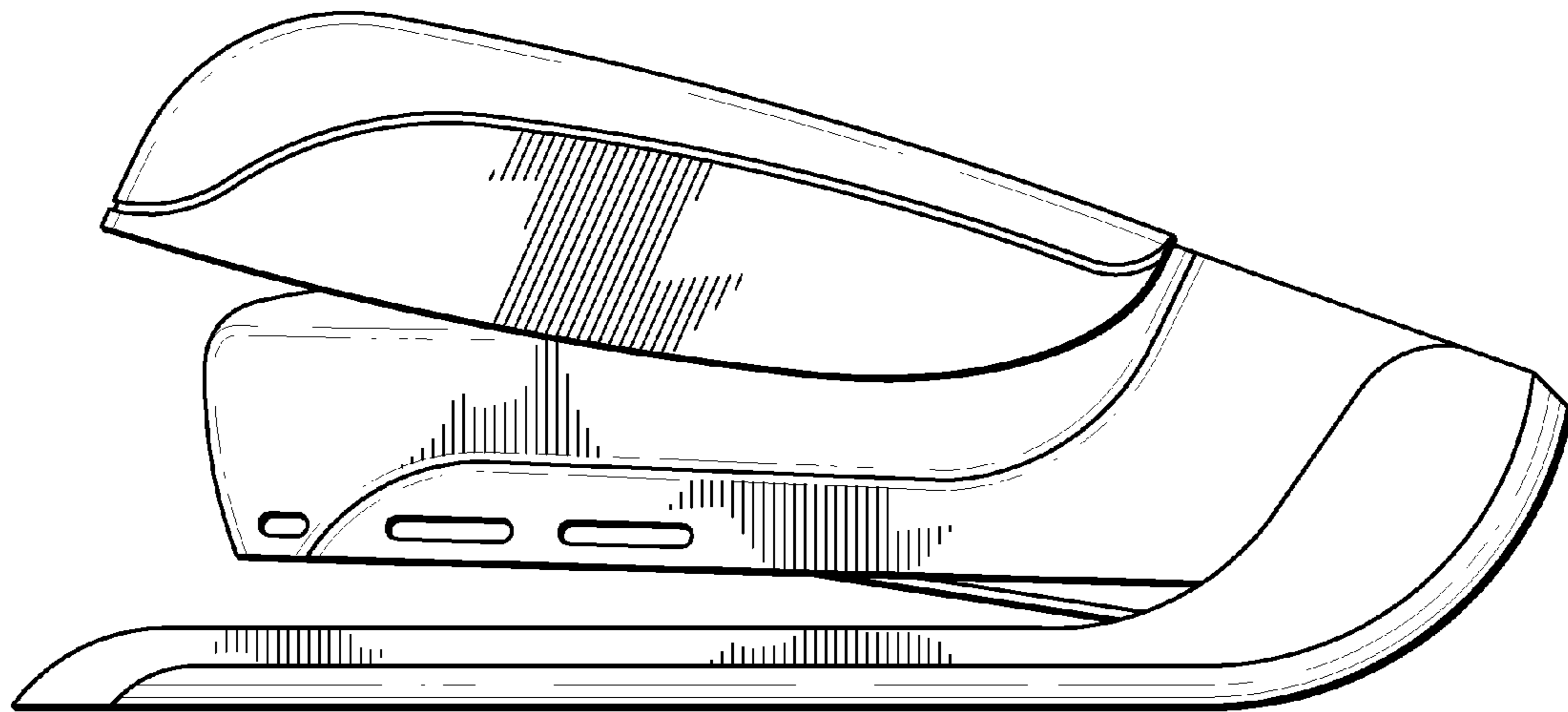


FIG. 2

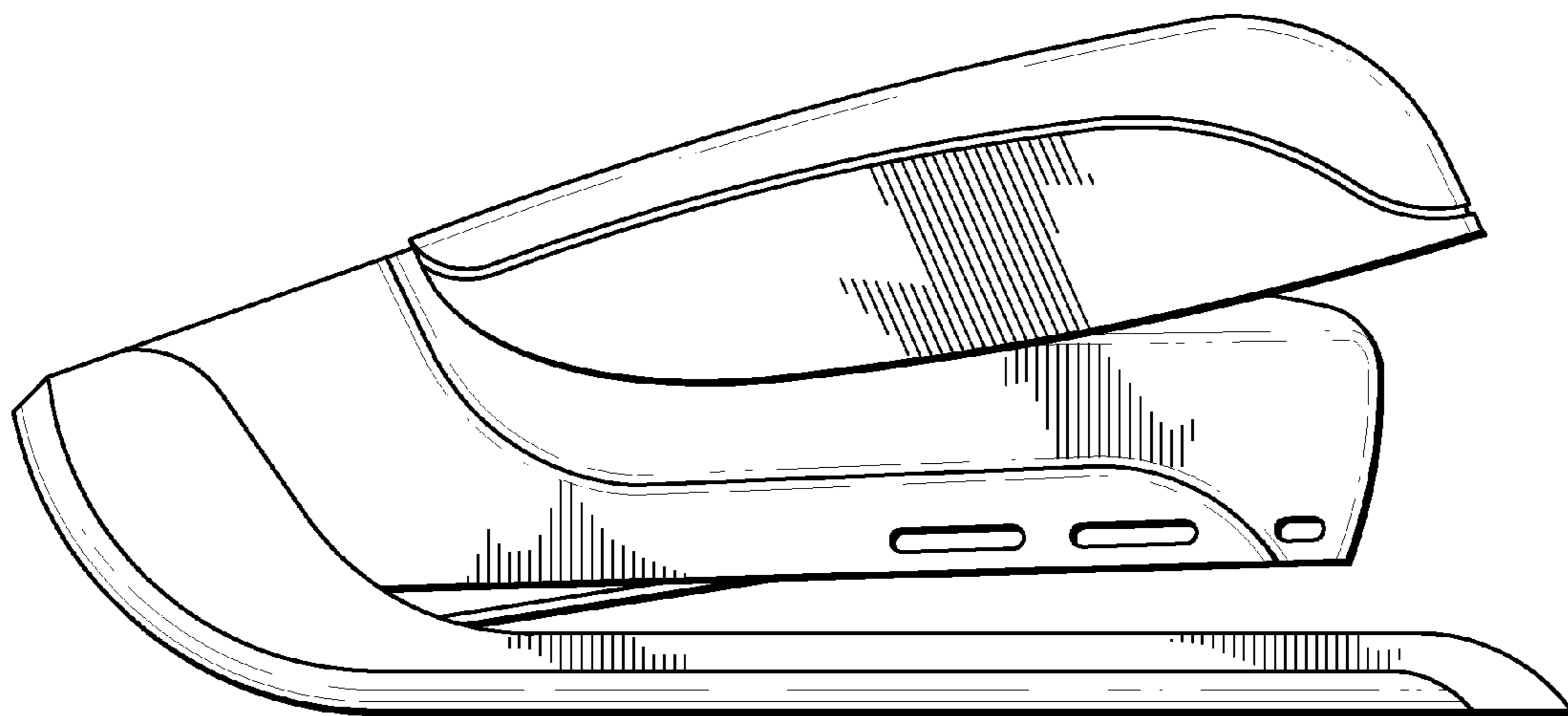


FIG. 3

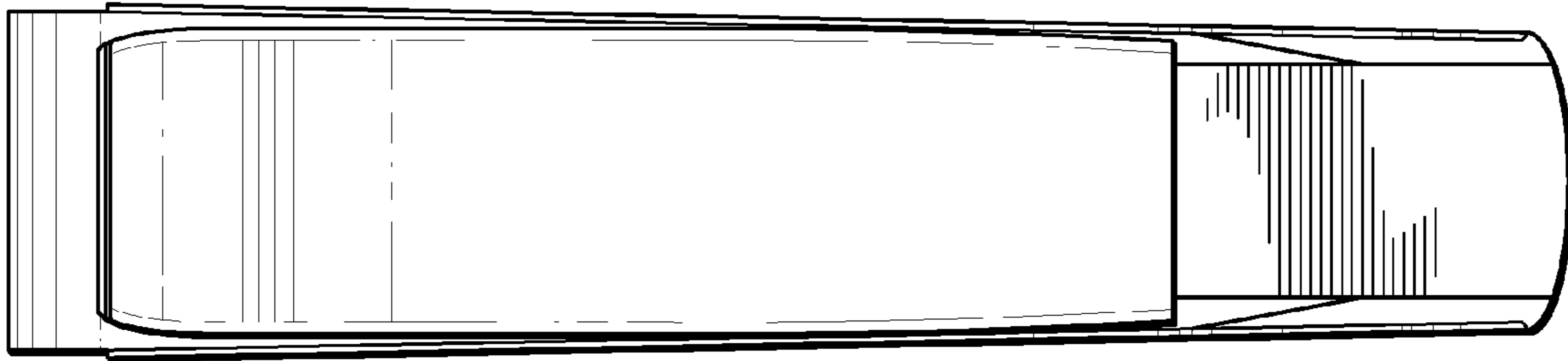


FIG. 4

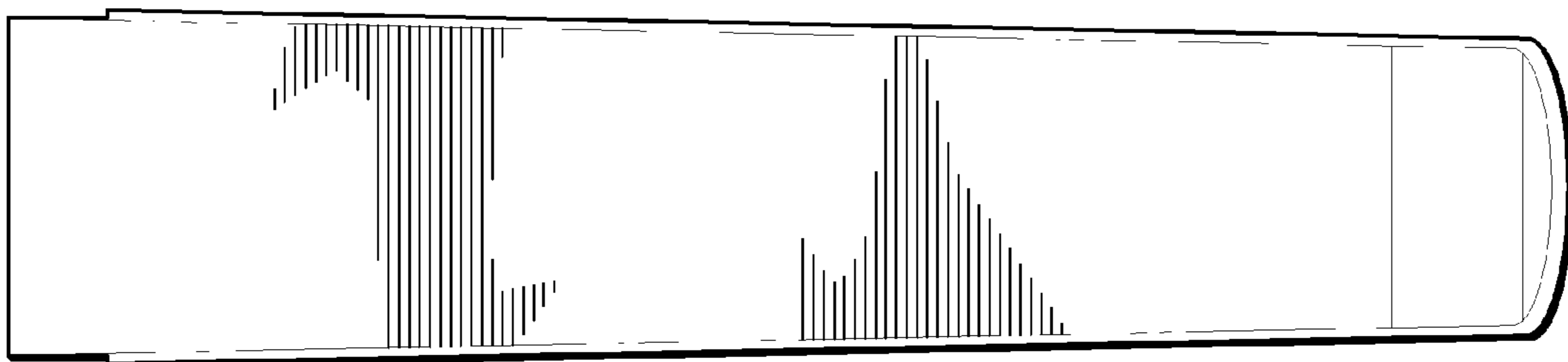


FIG. 5

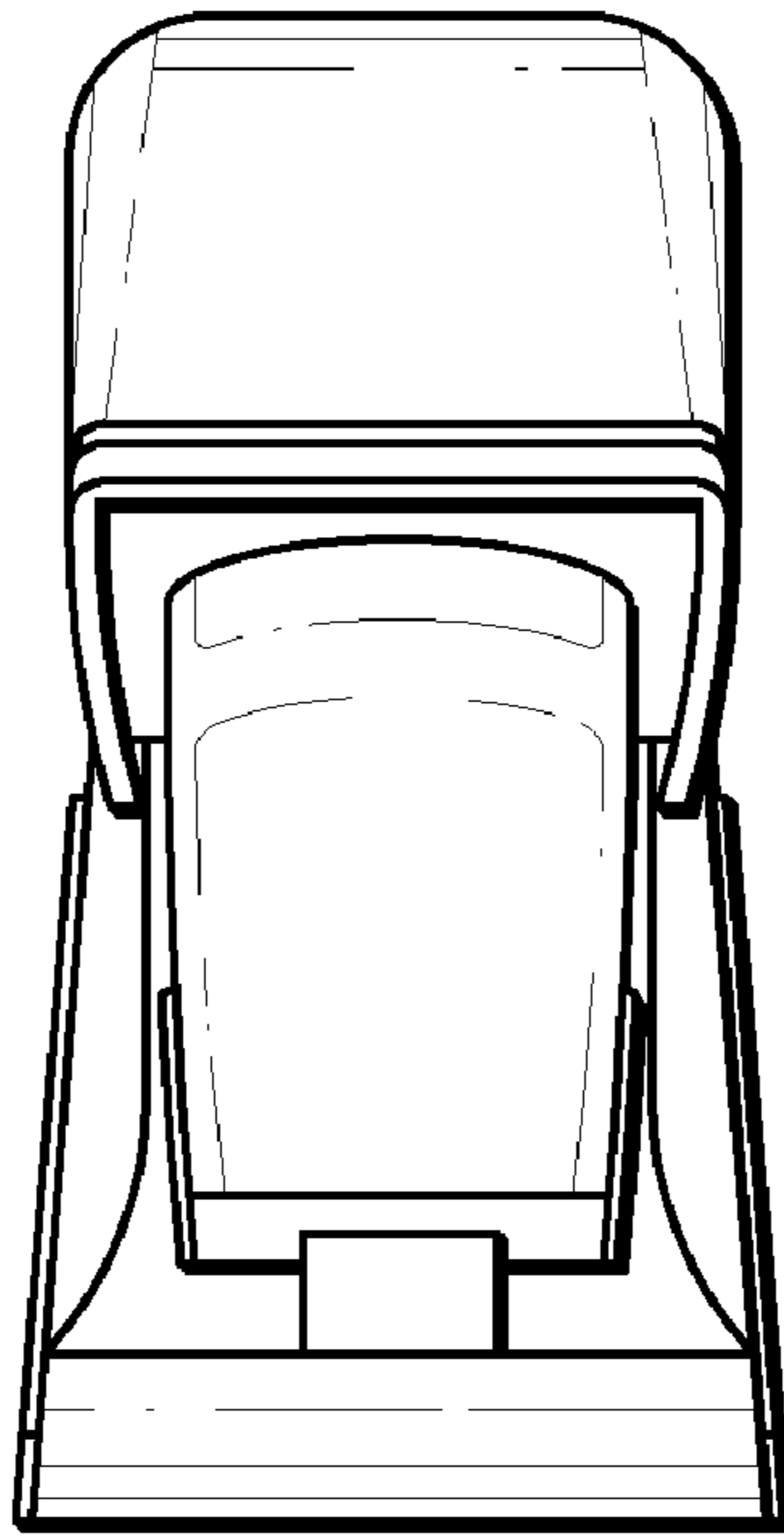


FIG. 6

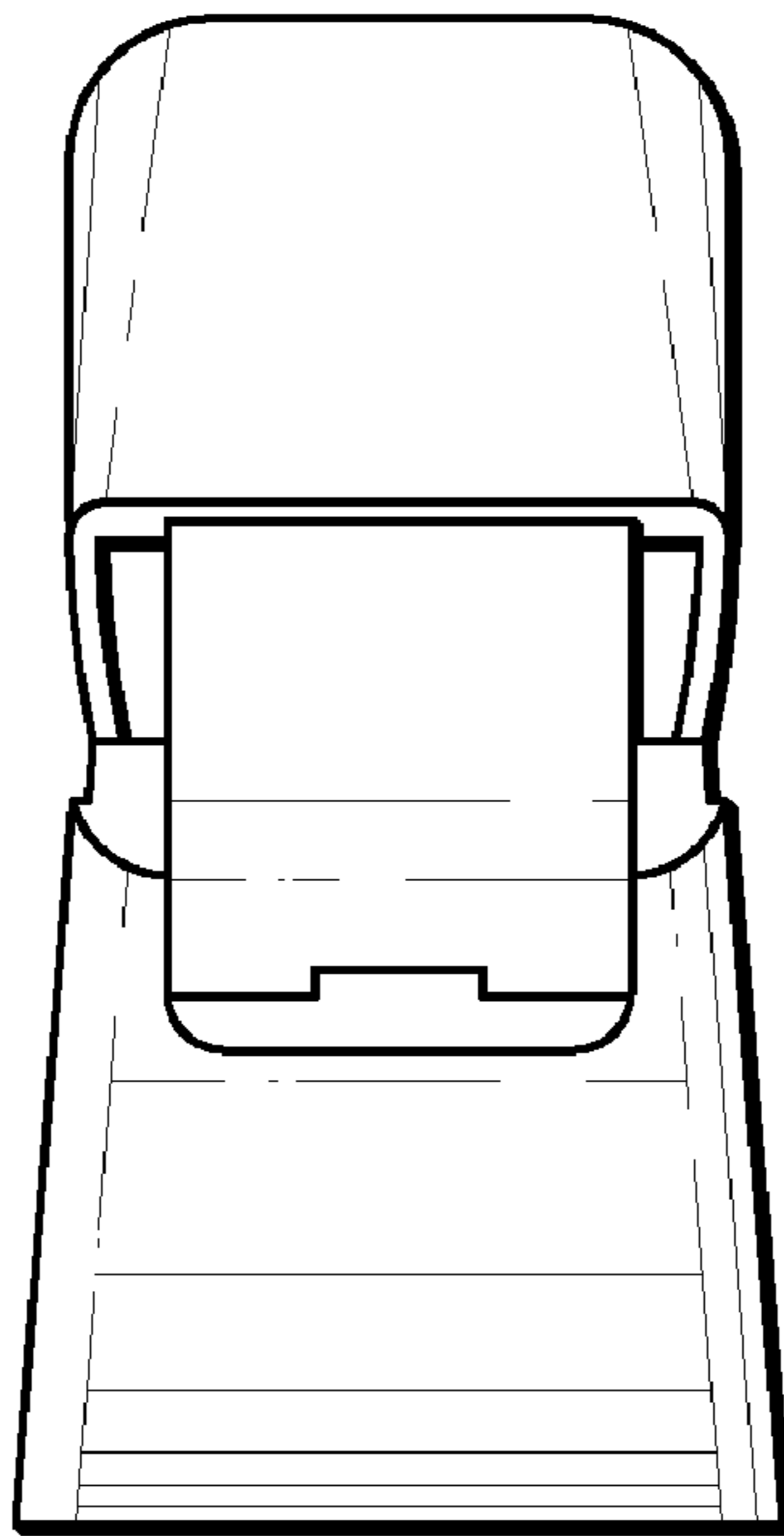


FIG. 7