



US00D569697S

(12) **United States Design Patent**
Baker

(10) **Patent No.:** **US D569,697 S**

(45) **Date of Patent:** **** May 27, 2008**

(54) **HANDLE FOR GARDEN IMPLEMENTS**

D341,525 S * 11/1993 Bernhard D8/1
6,460,911 B1 * 10/2002 Engelsiepen 294/49
D487,010 S 2/2004 Marquardt et al.

(75) Inventor: **Bruce Baker**, Ann Arbor, MI (US)

(73) Assignee: **Radius Garden LLC**, Ann Arbor, MI (US)

(**) Term: **14 Years**

(21) Appl. No.: **29/275,709**

(22) Filed: **Jan. 4, 2007**

(51) **LOC (8) Cl.** **08-01**

(52) **U.S. Cl.** **D8/10**

(58) **Field of Classification Search** D8/1,
D8/6, 10, 13; 294/54.5, 49; 56/400
See application file for complete search history.

(56) **References Cited**

U.S. PATENT DOCUMENTS

1,529,835 A * 3/1925 Hamilton 294/57
1,751,337 A * 3/1930 Krisberg 294/14
1,851,426 A * 3/1932 Haskell 81/489
D115,159 S * 6/1939 Nelson D8/10

* cited by examiner

Primary Examiner—Holly H. Baynham

Assistant Examiner—Sheryl Friedman

(74) *Attorney, Agent, or Firm*—Gifford, Krass, Sprinkle,
Anderson & Citkowski, PC

(57) **CLAIM**

The ornamental design for handle for garden implements, as shown and described.

DESCRIPTION

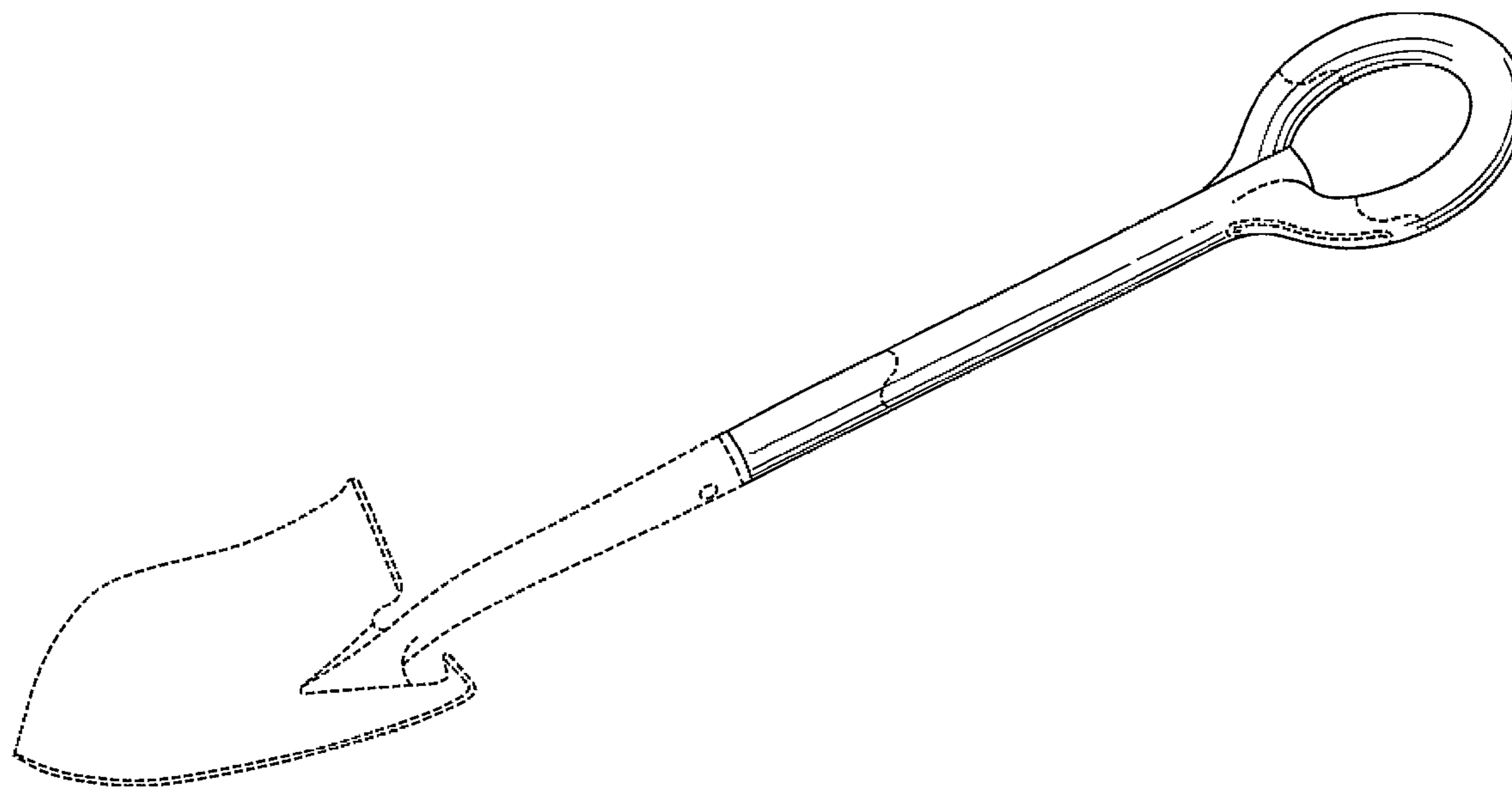
FIG. 1 is a side perspective view of the invention;

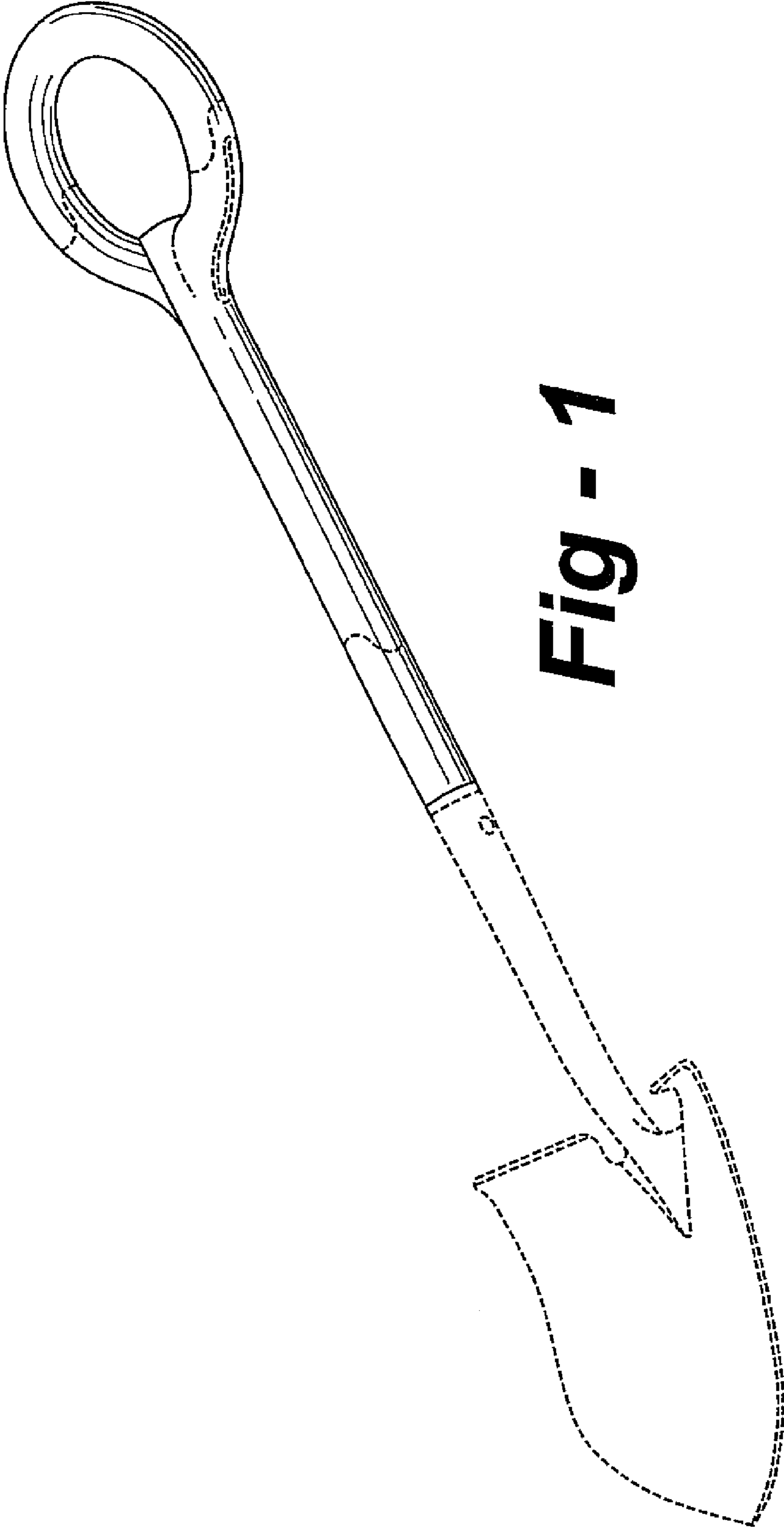
FIG. 2 is a top view of the invention; and,

FIG. 3 is a rear perspective view of the invention.

The broken line showing of the tool head is included for the purpose of illustrating environment and forms no part of the claimed design.

1 Claim, 2 Drawing Sheets





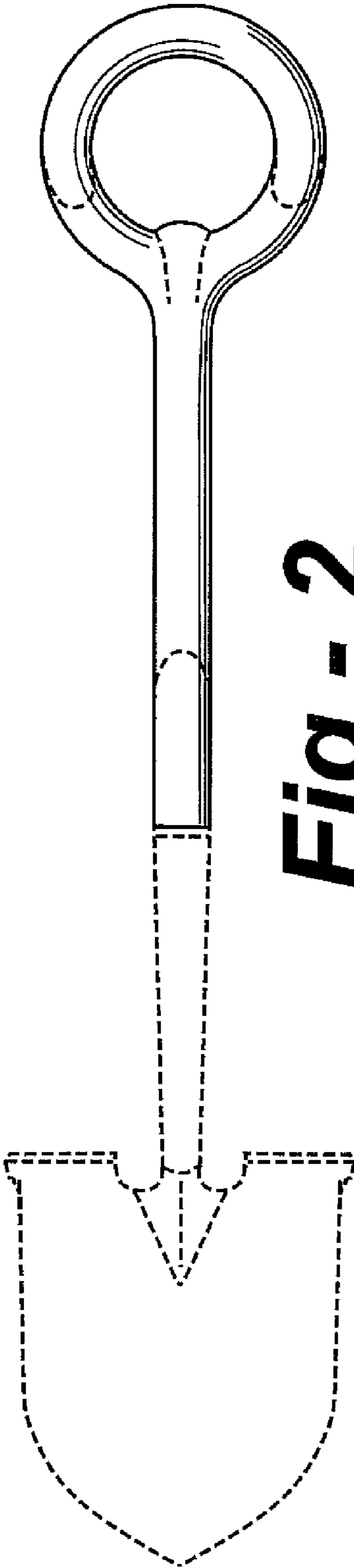


Fig - 2

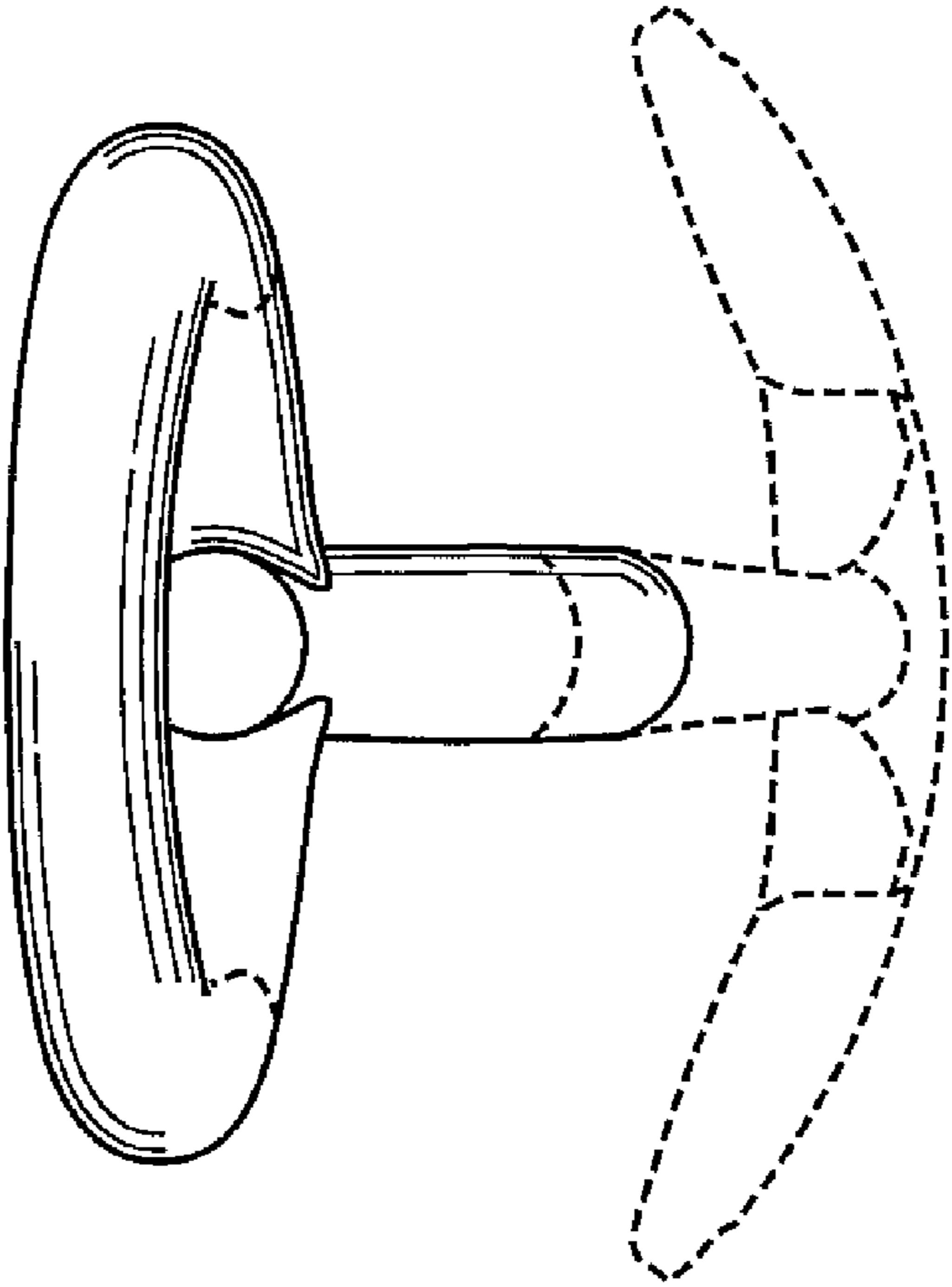


Fig - 3