



US00D569694S

(12) **United States Design Patent** (10) **Patent No.:** **US D569,694 S**
Bizzell (45) **Date of Patent:** **** May 27, 2008**

(54) **CUTTING BOARD ASSEMBLY**
(75) Inventor: **Daniel Lee Bizzell**, Davidson, NC (US)
(73) Assignee: **CCB Technologies, LLC**, Charlotte, NC (US)
(**) Term: **14 Years**
(21) Appl. No.: **29/296,861**
(22) Filed: **Oct. 30, 2007**

D357,847 S * 5/1995 Hoffman D7/698
D372,176 S 7/1996 Meisner
D374,380 S * 10/1996 Sawatsky D7/698
5,626,067 A 5/1997 Lothe
5,865,105 A 2/1999 Pepelanov
5,904,271 A 5/1999 Collins et al.
5,924,352 A 7/1999 Lothe
5,938,185 A * 8/1999 Kletter 269/289 R
6,082,645 A 7/2000 Himmighofen

(Continued)

Related U.S. Application Data

(63) Continuation of application No. 11/530,889, filed on Sep. 11, 2006.

(51) **LOC (8) Cl.** **07-04**
(52) **U.S. Cl.** **D7/698**
(58) **Field of Classification Search** D7/388,
D7/586, 637, 638, 696, 698, 552.2, 699;
D32/56-58; 99/446, 449; 269/13-15, 289 R,
269/291, 297, 298, 302.1, 289 MR, 315;
D3/283, 289, 900

See application file for complete search history.

(56) **References Cited**

U.S. PATENT DOCUMENTS

D140,595 S * 3/1945 Browne et al. D7/698
2,609,024 A * 9/1952 Russ 269/15
2,796,902 A 6/1957 Mercury
3,598,164 A * 8/1971 August 269/13
3,798,975 A 3/1974 Horst
4,041,964 A 8/1977 Shamoon
4,243,184 A 1/1981 Wright
D259,166 S 5/1981 Krusche
4,456,021 A 6/1984 Leavens
D282,043 S * 1/1986 Morin D7/552.2
D283,777 S 5/1986 Morin
4,653,737 A 3/1987 Haskins
4,840,361 A 6/1989 Richter
5,363,755 A 11/1994 Liang
5,366,208 A * 11/1994 Benjamin 269/13
5,382,009 A 1/1995 Mertz
5,386,978 A 2/1995 Ladwig

FOREIGN PATENT DOCUMENTS

CA 1171740 11/1969

OTHER PUBLICATIONS

Daniel Lee Bizzell et al., U.S. Appl. No. 29/296,404, filed Oct. 19, 2007.

Primary Examiner—Caron D. Veynar
Assistant Examiner—Ricky Pham
(74) *Attorney, Agent, or Firm*—Tillman Wright, PLLC;
Chad D. Tillman; James D. Wright

(57) **CLAIM**

The ornamental design for a cutting board assembly, as shown and described.

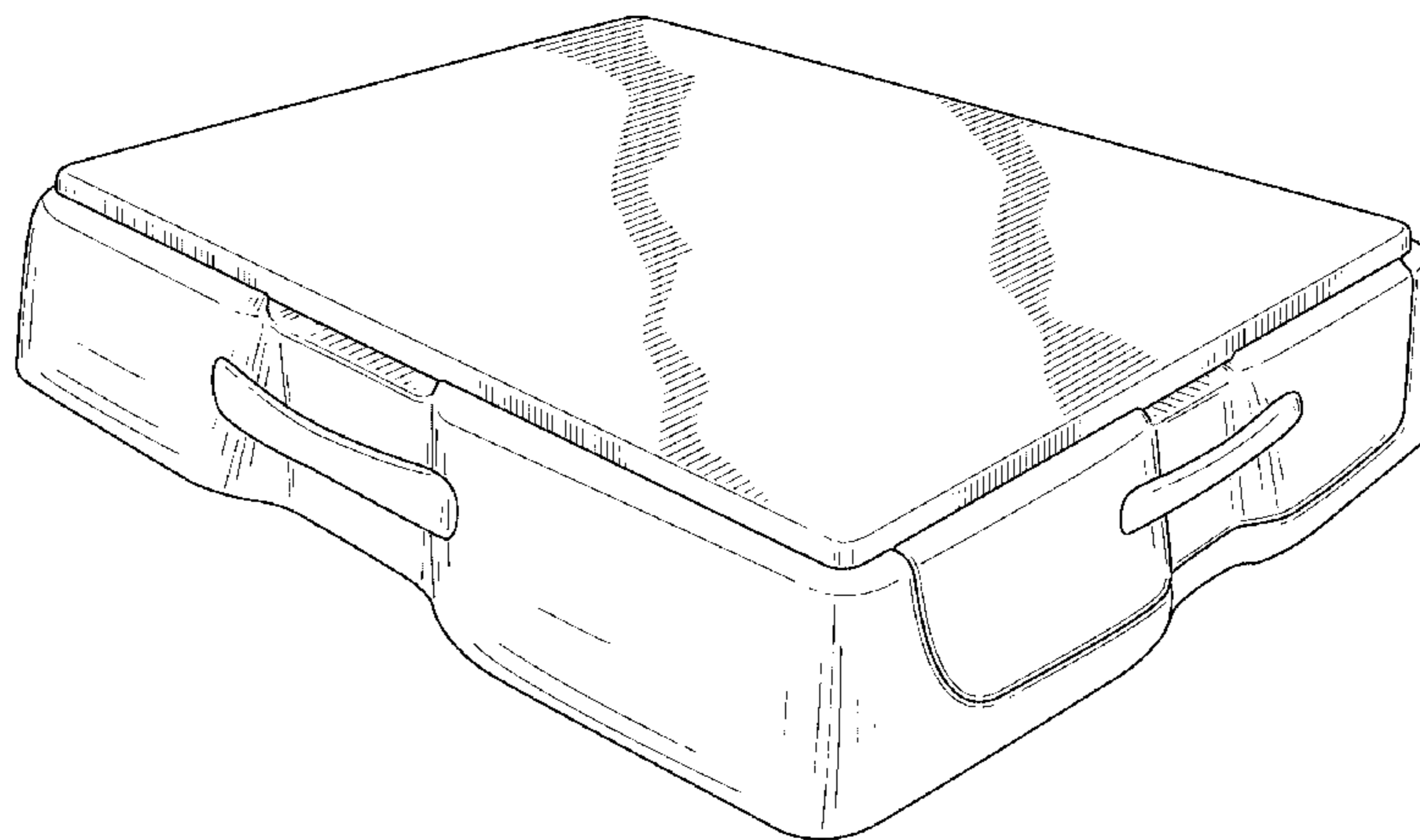
DESCRIPTION

FIG. 1 is a perspective view of the design for a cutting board assembly in accordance with a first embodiment of the present invention; and,

FIG. 2 is a side elevational view of the cutting board assembly of FIG. 1.

Broken lines shown in the drawings form no part of the claimed design. That which is shown in the drawings comprises that which is claimed, namely, the design shown in the perspective view of FIG. 1 and side elevational view of FIG. 2. The claimed design does not extend to the bottom; to the side opposite to the side shown in FIGS. 1 and 2; or to the end opposite to the end shown in FIG. 1.

1 Claim, 2 Drawing Sheets



US D569,694 S

Page 2

U.S. PATENT DOCUMENTS

6,359,239 B1 3/2002 Missler
6,371,470 B1 4/2002 Ward
6,478,293 B1 11/2002 Keener
6,651,970 B2 11/2003 Scott
D500,645 S 1/2005 Goggin

D500,940 S 1/2005 Goggin
2005/0040580 A1* 2/2005 Davis 269/289 R
2006/0208410 A1* 9/2006 McRorie, III 269/289 R
2007/0108685 A1* 5/2007 Casale et al. 269/289 R
2007/0108686 A1* 5/2007 Casale et al. 269/289 R

* cited by examiner

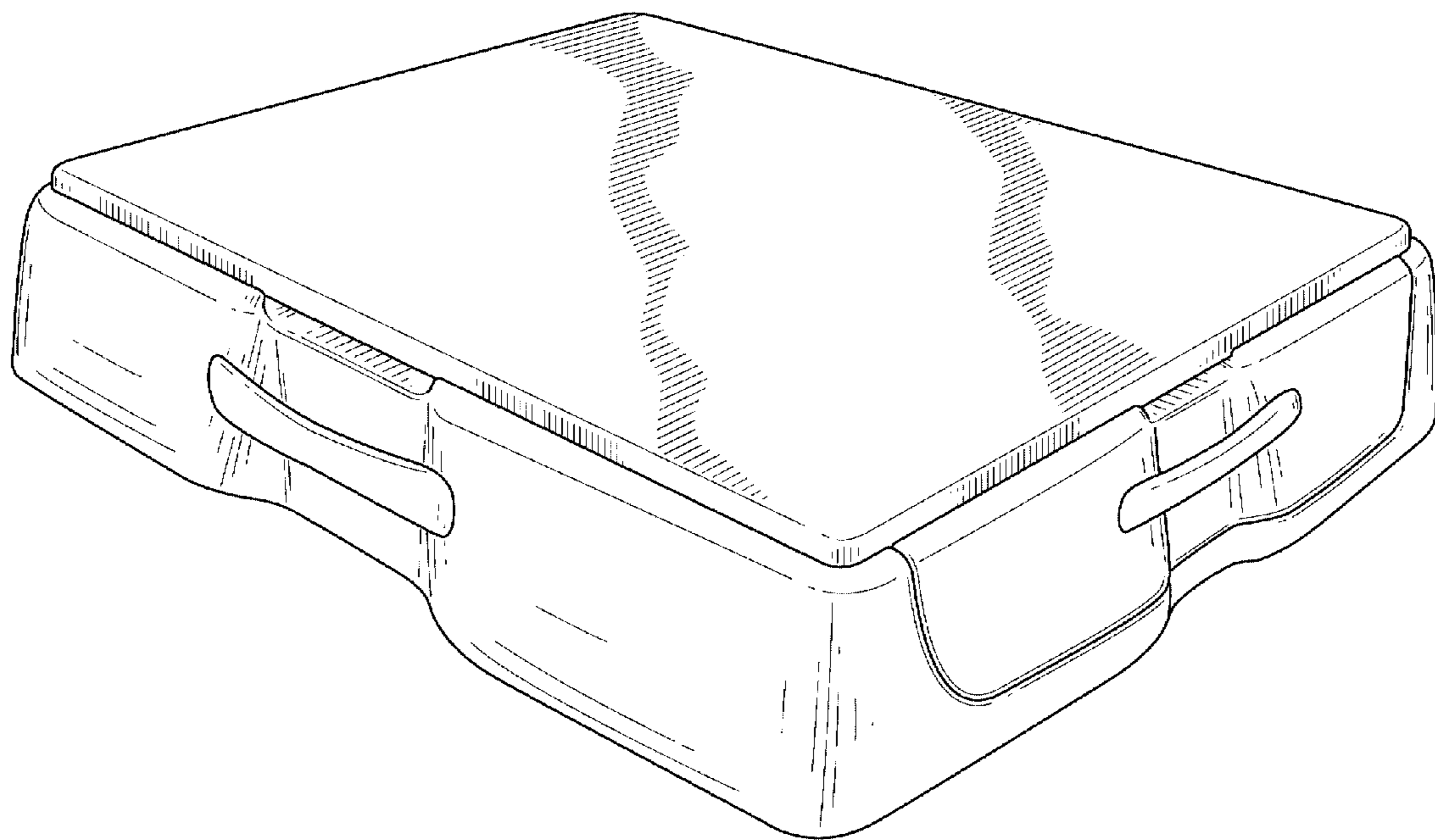


FIG. 1

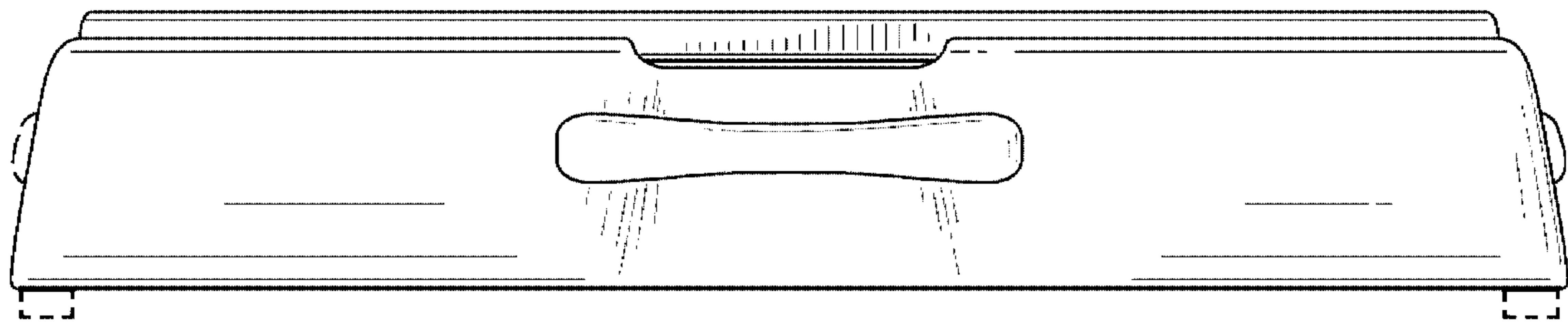


FIG. 2