



US00D569693S

(12) **United States Design Patent**
Zell

(10) **Patent No.:** **US D569,693 S**

(45) **Date of Patent:** **** May 27, 2008**

(54) **WINE ILLUMINATOR**

(75) Inventor: **Jeffrey M. Zell**, Potomac, MD (US)

(73) Assignee: **JM Zell Partners, Ltd**, Washington, DC (US)

(**) Term: **14 Years**

(21) Appl. No.: **29/252,576**

(22) Filed: **Jan. 25, 2006**

(51) **LOC (8) Cl.** **07-01**

(52) **U.S. Cl.** **D7/619.1; D7/387**

(58) **Field of Classification Search** D30/133;
D12/411, 420; 297/202, 215.1, 215.16; 601/57;
D6/354; 248/105, 146, 309.1–316; D8/371,
D8/380; D10/46.2; 222/472, 566; D23/201;
D21/385; 220/737, 738, 741–743, 752;
99/275; D19/86; D3/229; D7/300, 301,
D7/303, 305–307, 314, 368, 357, 409, 316–319,
D7/387, 388, 392, 397, 392.1, 396.2, 514.21,
D7/600–602, 600.1, 619.1, 622, 629, 705
See application file for complete search history.

(56) **References Cited**

U.S. PATENT DOCUMENTS

611,857	A *	10/1898	Buck	248/105
1,249,341	A	12/1917	Cropsey	
2,177,337	A	10/1939	Stein	240/6.4
2,547,450	A	4/1951	Du Pont	222/113
2,596,452	A	5/1952	Wehmiller et al.	88/14
3,868,047	A	2/1975	Bersano	222/166
4,344,113	A	8/1982	Ditto et al.	362/101
4,496,124	A	1/1985	Cole	248/146
4,515,334	A *	5/1985	Horne	248/146
4,836,476	A	6/1989	Wolf	248/146
4,863,131	A *	9/1989	Kinseley	248/220.41
5,026,480	A	6/1991	Fischer	210/515
D329,781	S	9/1992	Ito	D7/619
5,307,250	A	4/1994	Pearson	362/101
5,645,315	A *	7/1997	Walker et al.	297/215.1
D417,185	S *	11/1999	Marks	D12/411
D434,235	S *	11/2000	Kuipers	D6/354

6,149,230	A *	11/2000	Bontrager	297/202
6,174,066	B1	1/2001	Vinding-Diers	362/96
6,254,247	B1	7/2001	Carson	362/101
6,425,421	B1	7/2002	Morrison	141/64

(Continued)

Primary Examiner—Philip S. Hyder

Assistant Examiner—Cynthia Underwood

(74) *Attorney, Agent, or Firm*—Greenberg Traurig LLP

(57) **CLAIM**

The ornamental design for a wine illuminator, as shown and described.

DESCRIPTION

FIG. 1 is a top perspective view of the wine illuminator, showing the present design;

FIG. 2 is a top plan view of the present design;

FIG. 3 is a right elevation view of the present design, the right elevation being essentially a mirror image thereof;

FIG. 4 is a rear elevation view of the present design;

FIG. 5 is a front elevation view of the present design;

FIG. 6 is an alternative right elevation view of the present design, the items in phantom being disclaimed from the design.

FIG. 7 is a top plan view of an alternative embodiment of the present design;

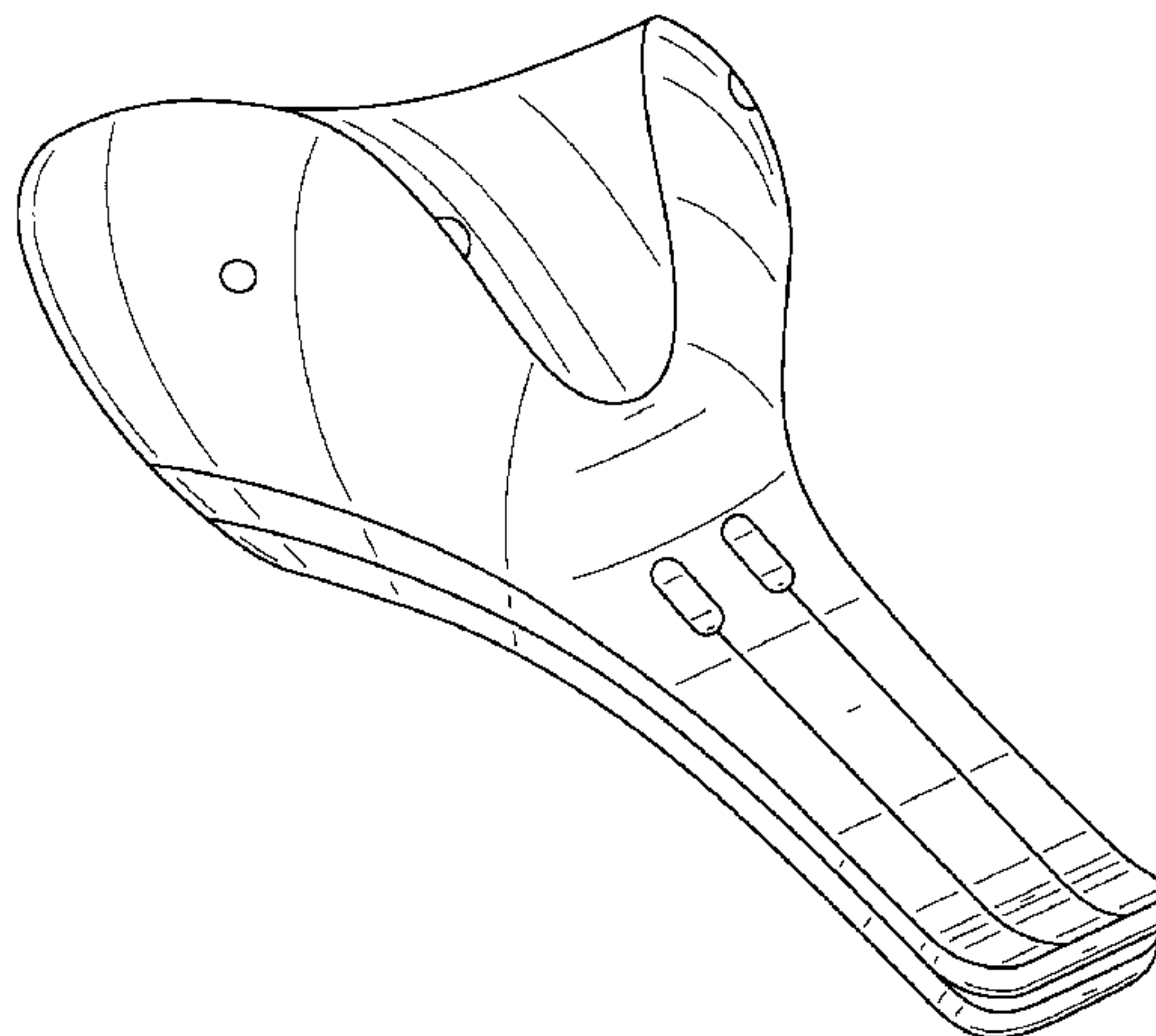
FIG. 8 is a right elevation view of an alternative embodiment of the present design, the right elevation being essentially a mirror image thereof;

FIG. 9 is a rear elevation view of an alternative embodiment of the present design;

FIG. 10 is a front elevation view of an alternative embodiment of the present design; and,

FIG. 11 is an alternative left elevation view of an alternative embodiment of the present design, the items in phantom being disclaimed from the design.

1 Claim, 7 Drawing Sheets



US D569,693 S

Page 2

U.S. PATENT DOCUMENTS							
				7,108,667	B1 *	9/2006	Turudich 601/57
6,669,283	B2 *	12/2003	Yu 297/215.16	2002/0108672	A1	8/2002	Morrison 141/64
6,793,363	B2	9/2004	Jensen 362/101	2004/0035296	A1	2/2004	Schauz et al. 99/275
D498,357	S *	11/2004	Smith D3/215	2005/0191395	A1	9/2005	Creasey et al. 426/335
D501,444	S *	2/2005	Andrews D12/420				
D511,438	S *	11/2005	Johnson D7/619.1				

* cited by examiner

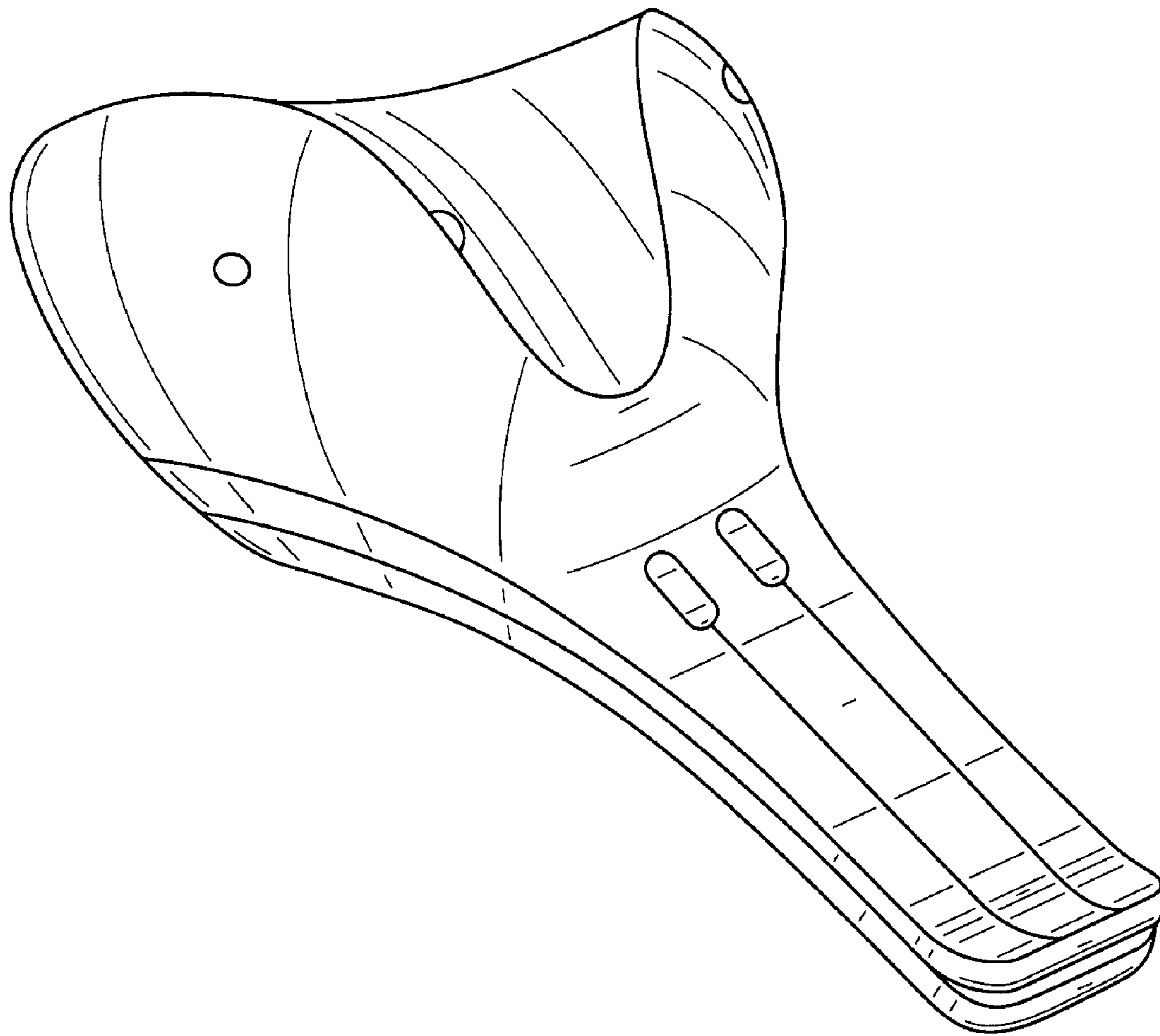


Fig. 1

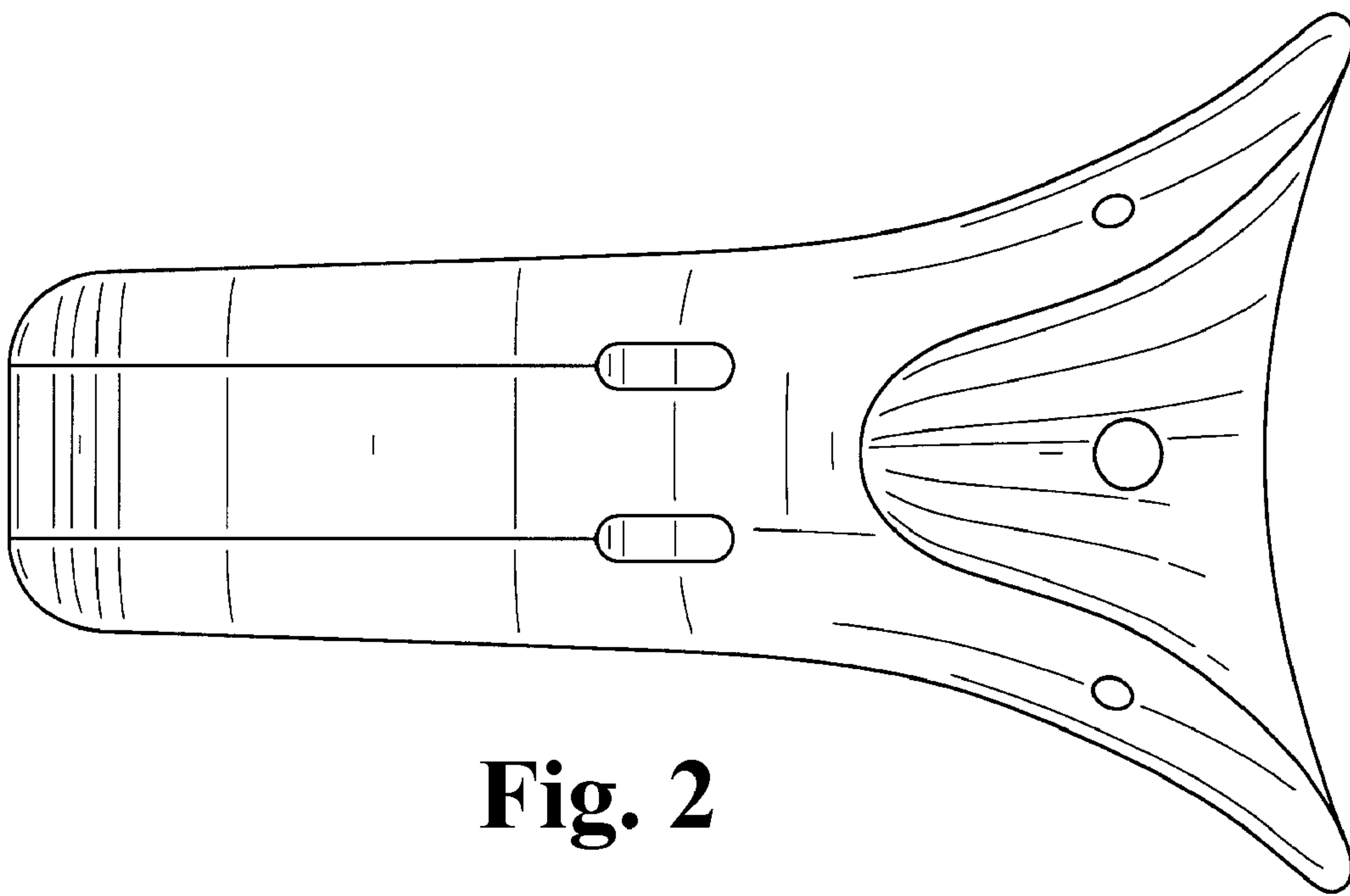


Fig. 2

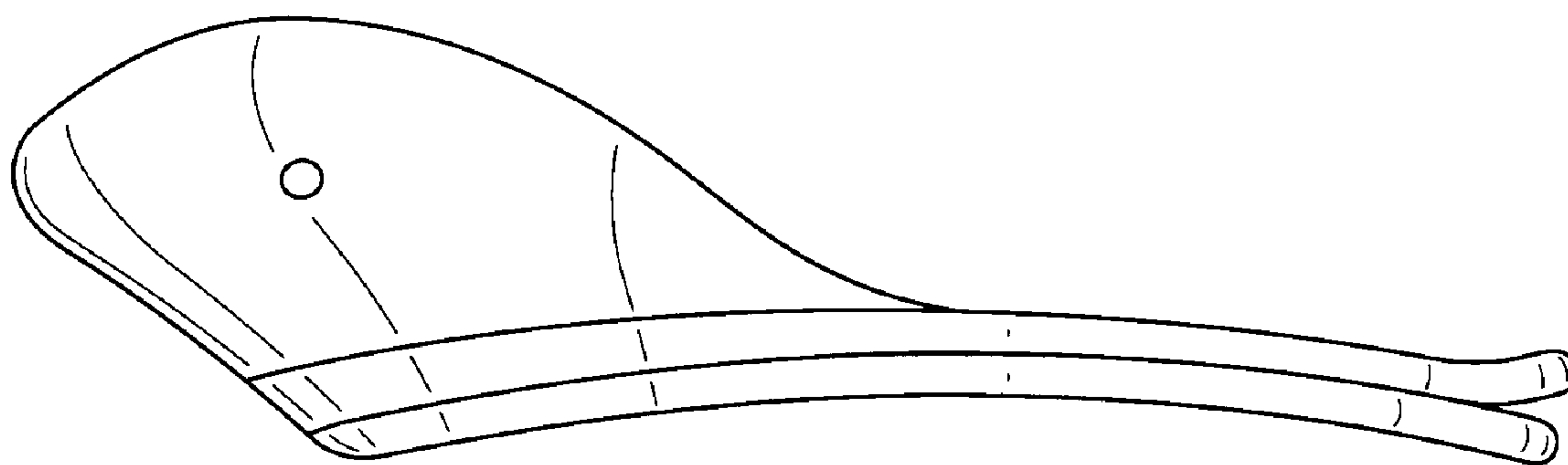


Fig. 3

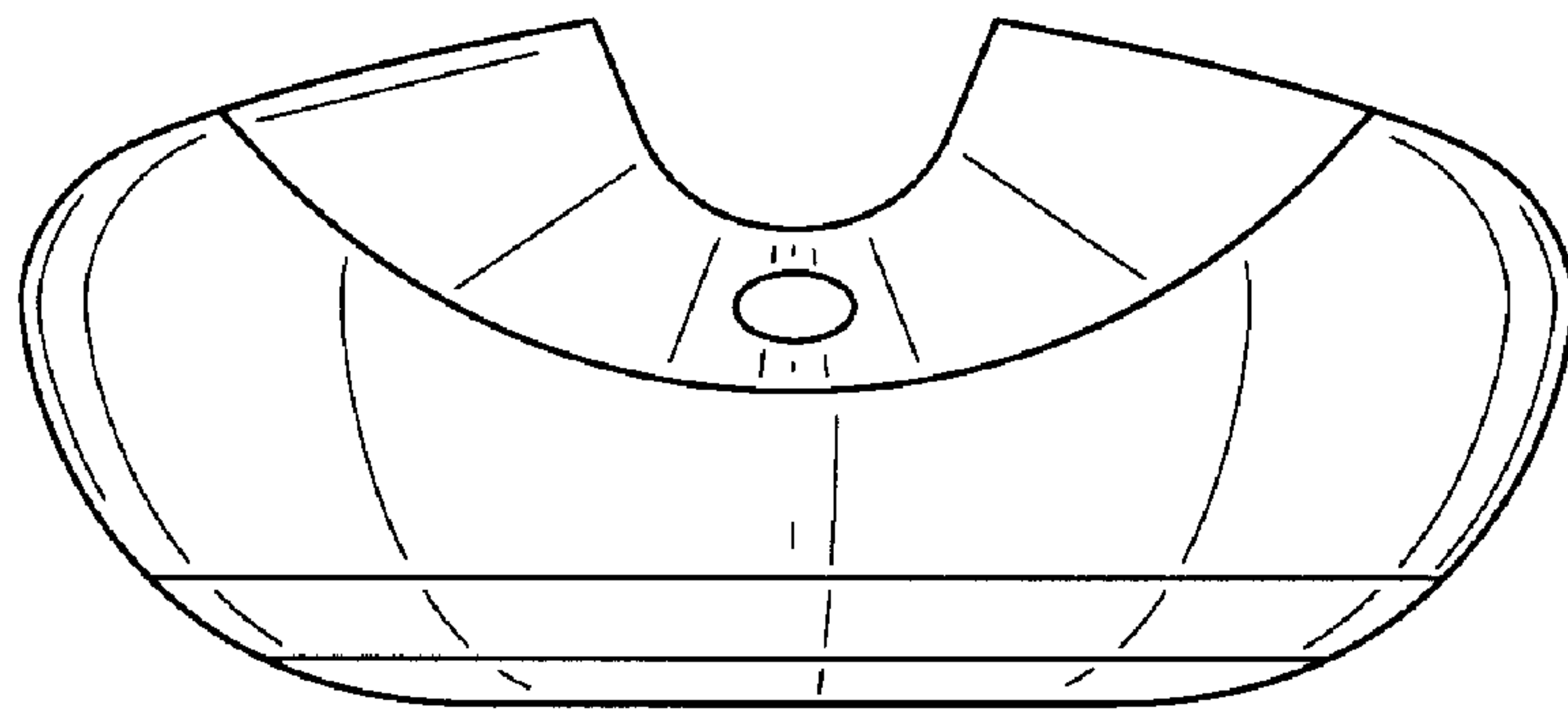


Fig. 4

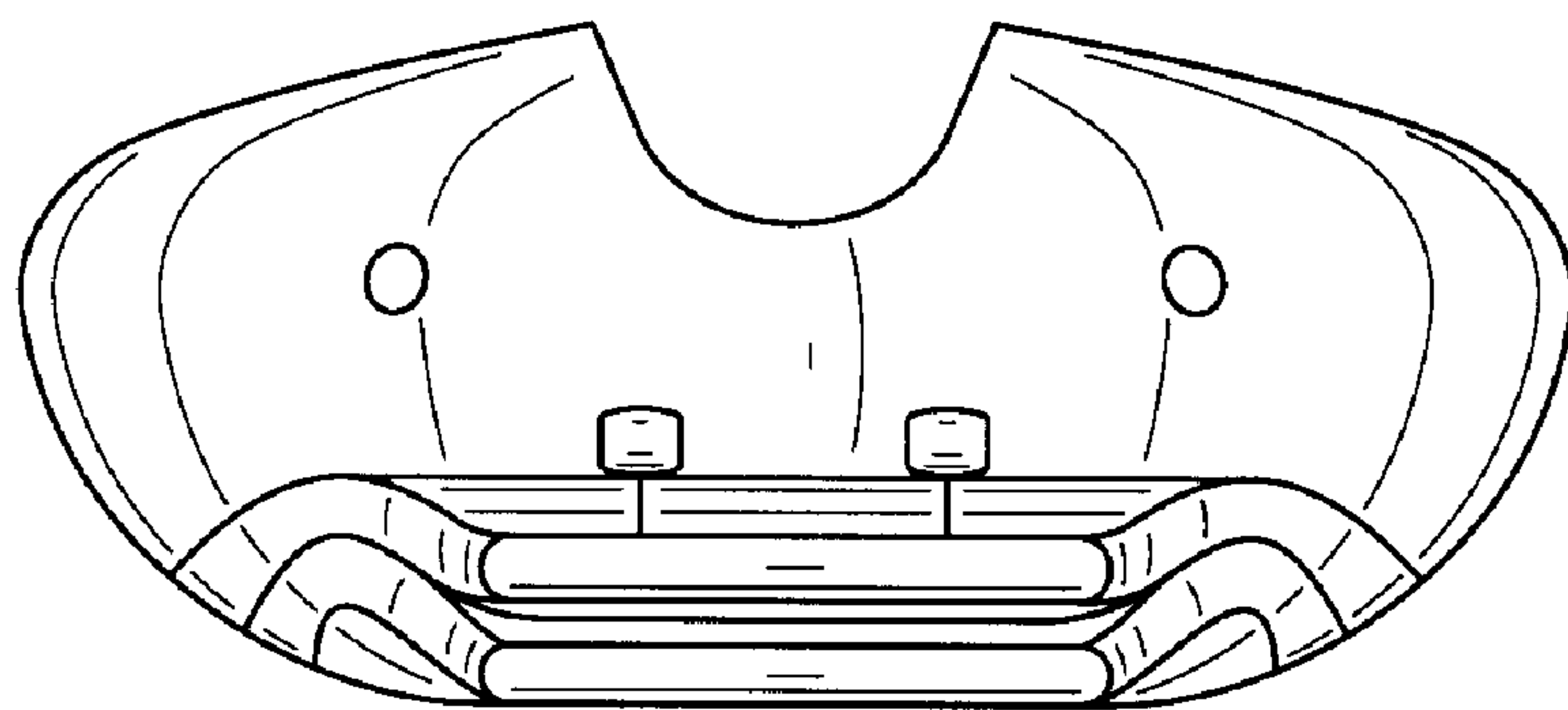


Fig. 5

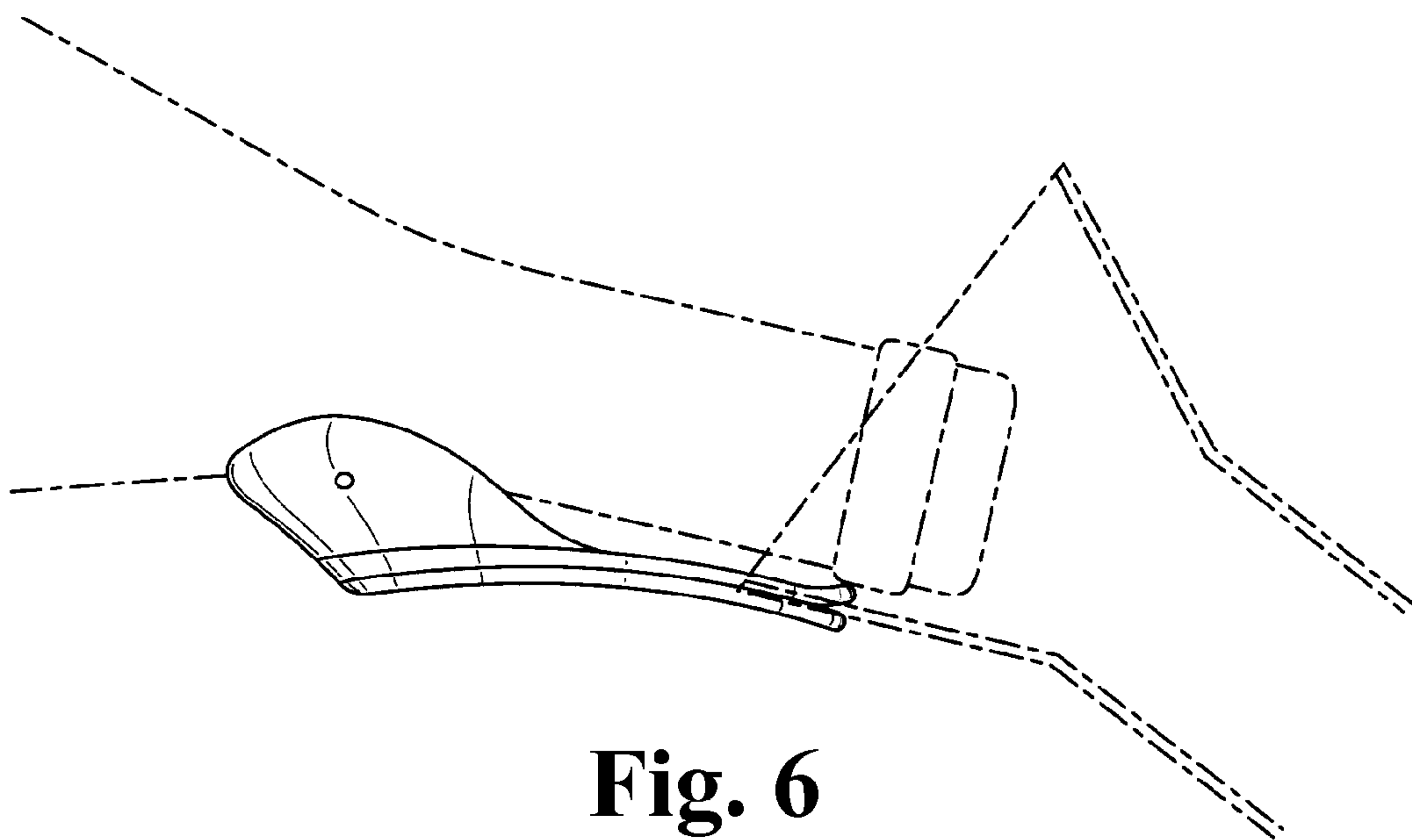


Fig. 6

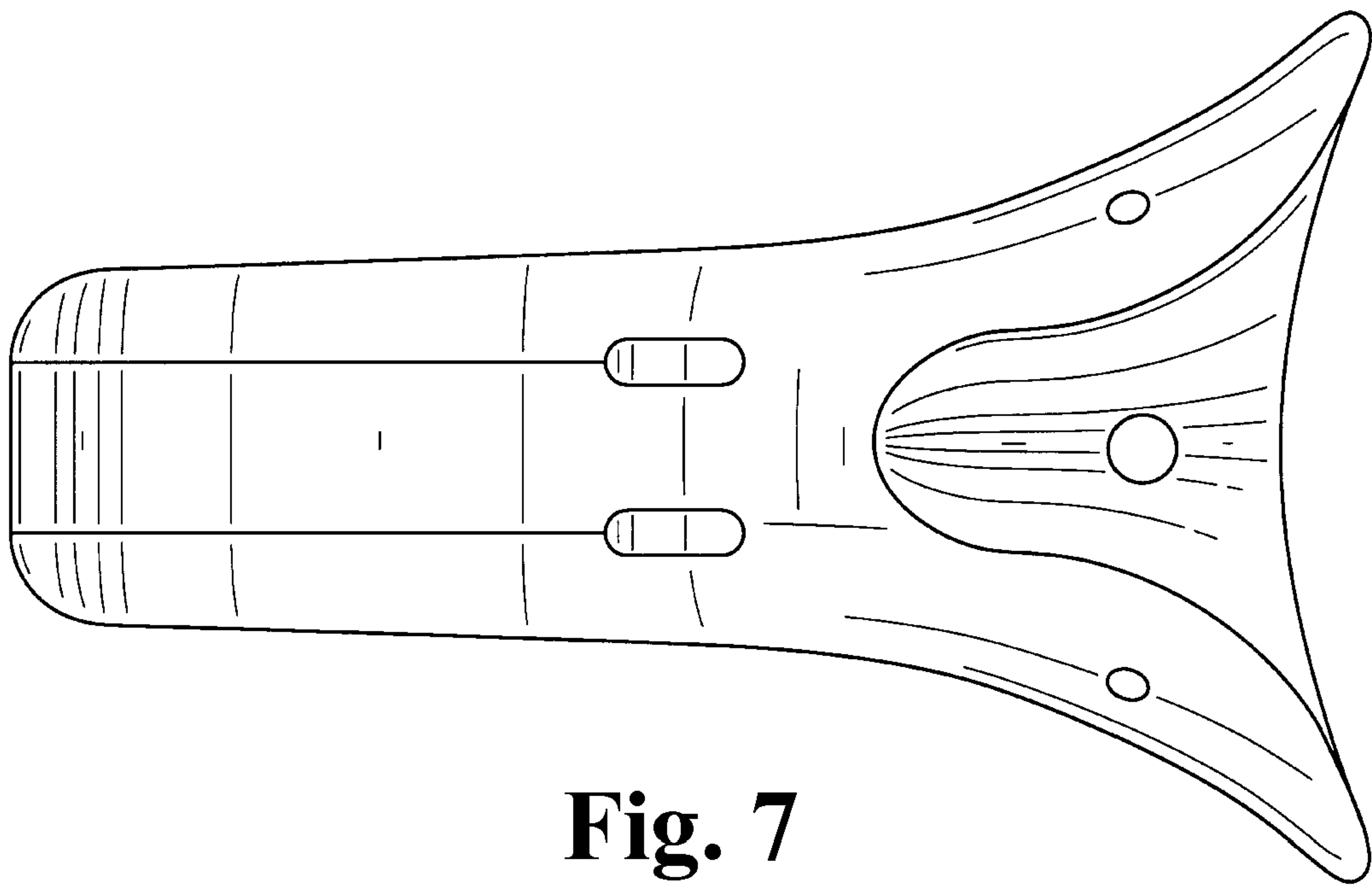


Fig. 7

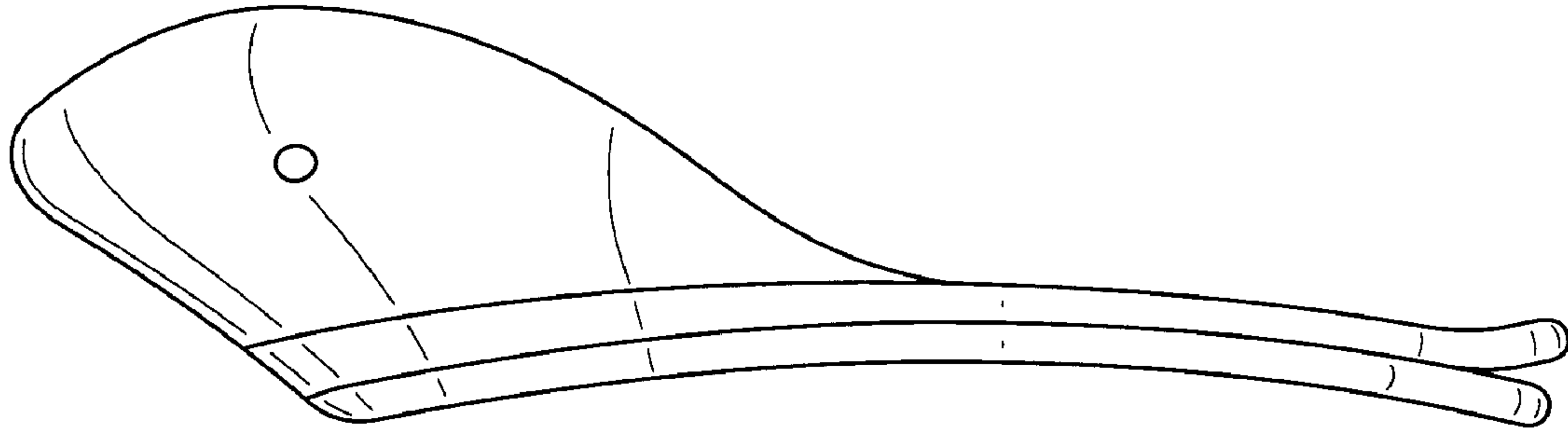


Fig. 8

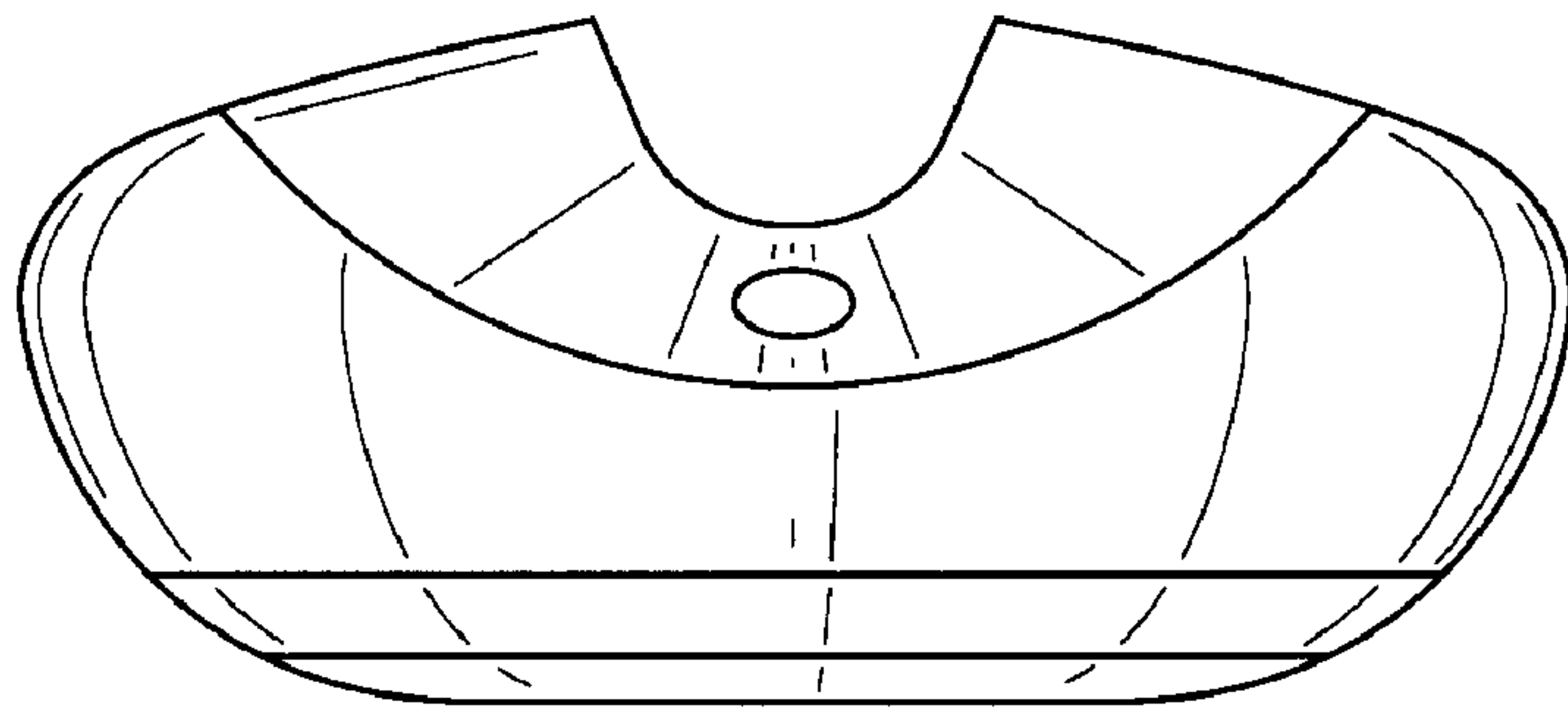


Fig. 9

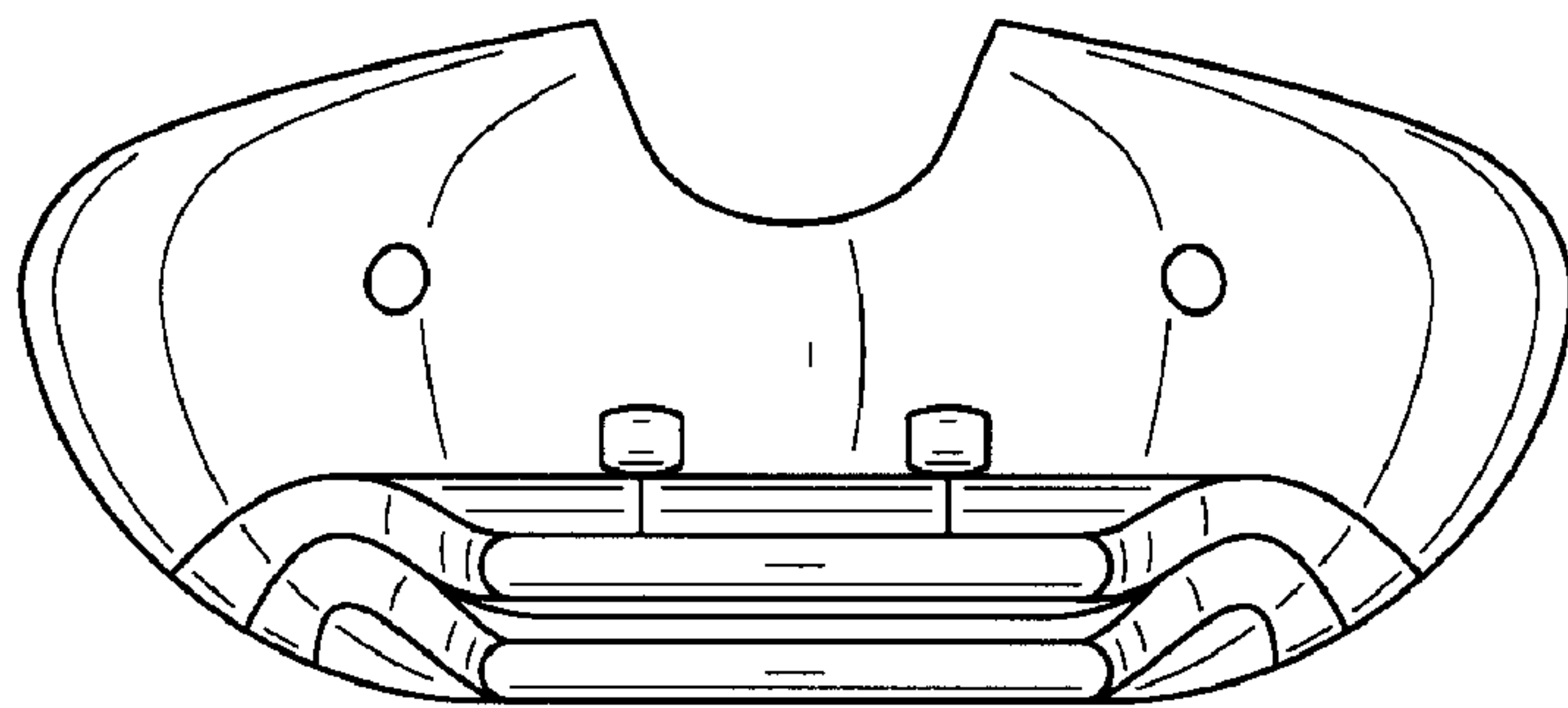


Fig. 10

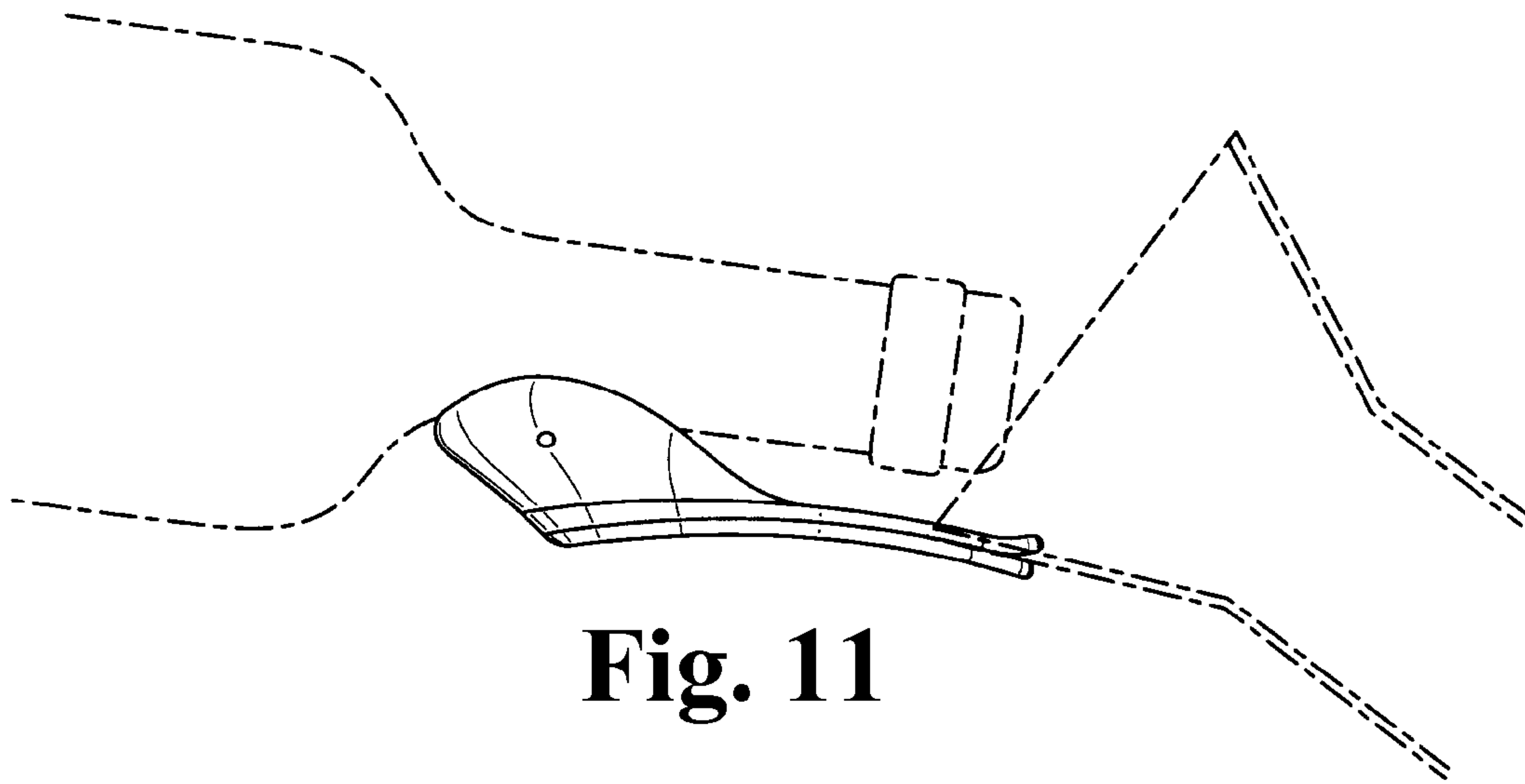


Fig. 11