



US00D569692S

(12) **United States Design Patent**
Zell

(10) **Patent No.:** **US D569,692 S**

(45) **Date of Patent:** **** May 27, 2008**

(54) **WINE ILLUMINATOR**

(75) Inventor: **Jeffrey M. Zell**, Potomac, MD (US)

(73) Assignee: **JM Zell Partners, Ltd.**, Washington, DC (US)

(**) Term: **14 Years**

(21) Appl. No.: **29/252,575**

(22) Filed: **Jan. 25, 2006**

(51) **LOC (8) Cl.** **07-01**

(52) **U.S. Cl.** **D7/619.1; D7/387**

(58) **Field of Classification Search** D30/133;
D12/411, 420; 297/202, 215.1, 215.16; 601/57;
D6/354; 248/105, 146, 309.1-316; D8/371,
D8/380; D10/46.2; 222/472, 566; D23/201;
D21/385; 220/737, 738, 741-743, 752;
99/275; D19/86; D3/229; D7/300, 301,
D7/303, 305-307, 314, 368, 357, 409, 316-319,
D7/387, 388, 392, 397, 392.1, 396.2, 514.21,
D7/600-602, 619.1, 622, 629, 705
See application file for complete search history.

(56) **References Cited**

U.S. PATENT DOCUMENTS

611,857	A *	10/1898	Buck	248/105
1,249,341	A	12/1917	Cropsey	
2,177,337	A	10/1939	Stein	240/6.4
2,547,450	A	4/1951	Du Pont	222/113
2,596,452	A	5/1952	Wehmiller et al.	88/14
3,868,047	A	2/1975	Bersano	222/166
4,344,113	A	8/1982	Ditto et al.	362/101
4,496,124	A	1/1985	Cole	248/146
4,515,334	A	5/1985	Horne	248/146
D297,335	S *	8/1988	Atwell	D19/86
4,767,092	A *	8/1988	Weatherly	248/311.2
4,836,476	A	6/1989	Wolf	248/146
4,951,910	A *	8/1990	March	248/311.2
5,026,480	A	6/1991	Fischer	210/515
D329,372	S *	9/1992	Wilms	D8/380
D329,781	S	9/1992	Ito	D7/619
5,307,250	A	4/1994	Pearson	362/101

D355,510	S *	2/1995	Duncan	D30/133
5,558,236	A *	9/1996	Williams et al.	211/74
D399,092	S *	10/1998	Miller	D7/397
D417,185	S *	11/1999	Marks	D12/411
6,174,066	B1	1/2001	Vinding-Diers	362/96
6,254,247	B1	7/2001	Carson	362/101

(Continued)

Primary Examiner—Philip S. Hyder
Assistant Examiner—Cynthia Underwood
(74) *Attorney, Agent, or Firm*—Greenberg Traurig LLP

(57) **CLAIM**

The ornamental design for a wine illuminator, as shown and described.

DESCRIPTION

FIG. 1 is a top perspective view of the wine illuminator, showing the present design;

FIG. 2 is a top plan view of the present design;

FIG. 3 is a right elevation view of the present design, the right elevation being essentially a mirror image thereof;

FIG. 4 is a rear elevation view of the present design;

FIG. 5 is a front elevation view of the present design;

FIG. 6 is an alternative right elevation view of the present design, the items in phantom being disclaimed from the design.

FIG. 7 is a top plan view of an alternative embodiment of the present design;

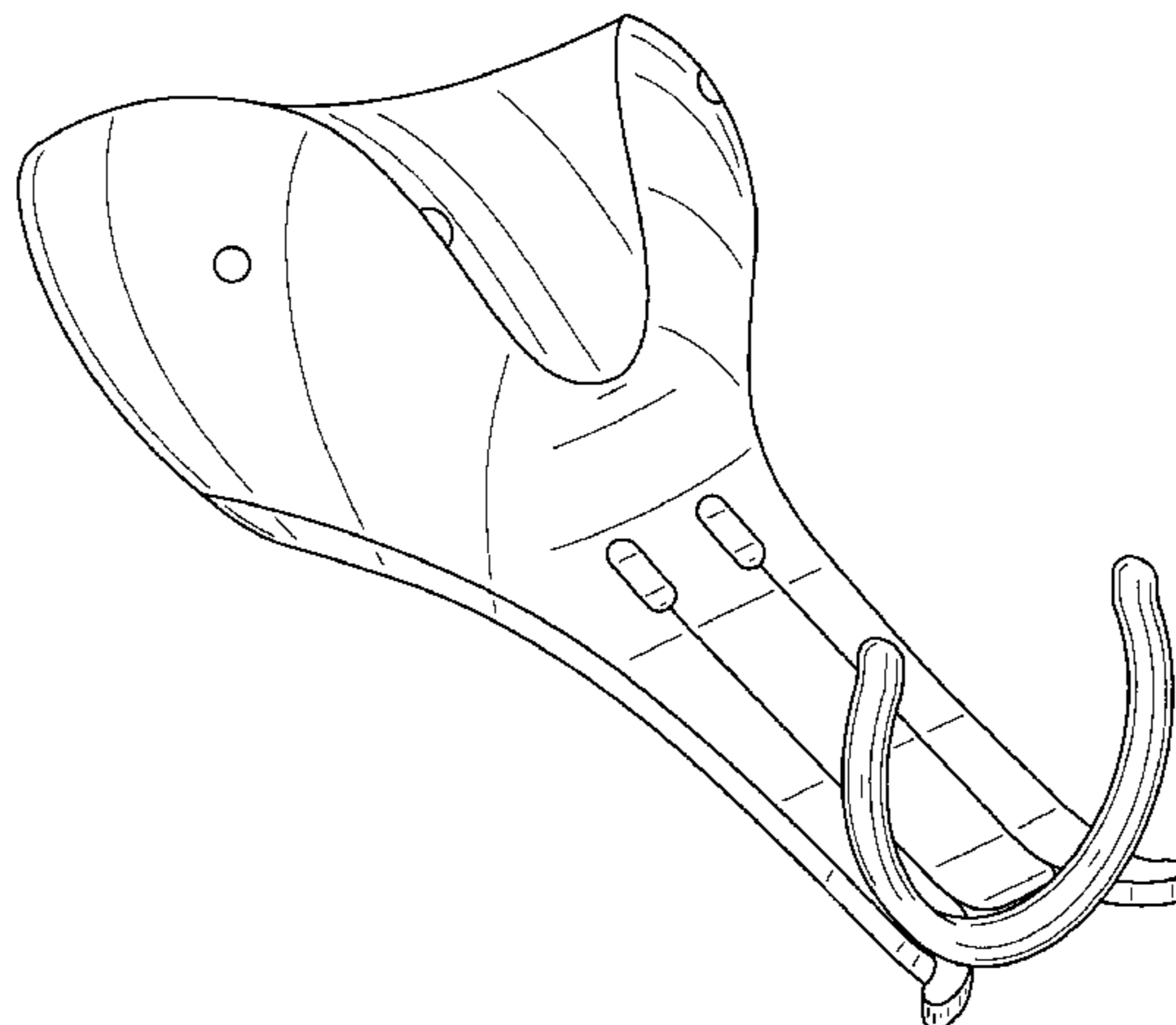
FIG. 8 is a right elevation view of an alternative embodiment of the present design, the right elevation being essentially a mirror image thereof;

FIG. 9 is a rear elevation view of an alternative embodiment of the present design;

FIG. 10 is a front elevation view of an alternative embodiment of the present design; and,

FIG. 11 is an alternative left elevation view of an alternative embodiment of the present design, the items in phantom being disclaimed from the design.

1 Claim, 7 Drawing Sheets



US D569,692 S

Page 2

U.S. PATENT DOCUMENTS

D453,665 S *	2/2002	Loiacono	D7/619.1	D524,607 S *	7/2006	Kent-Fawkes	D7/622
D456,603 S *	5/2002	Phetthaweebancha	D3/229	2002/0108672 A1	8/2002	Morrison	141/64
6,425,421 B1	7/2002	Morrison	141/64	2004/0035296 A1	2/2004	Schauz et al.	99/275
6,793,363 B2	9/2004	Jensen	362/101	2005/0191395 A1	9/2005	Creasey et al.	426/335

* cited by examiner

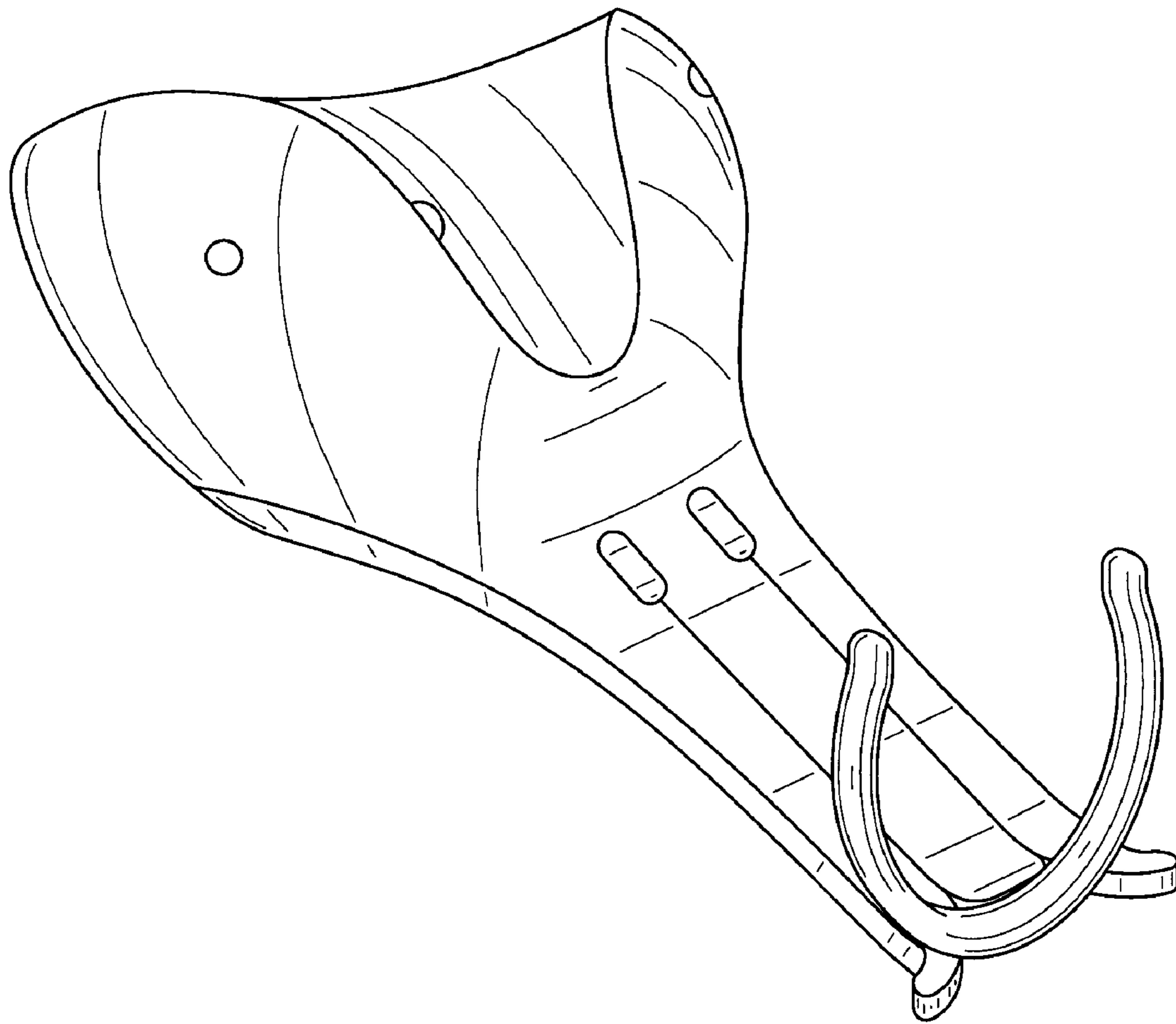


Fig. 1

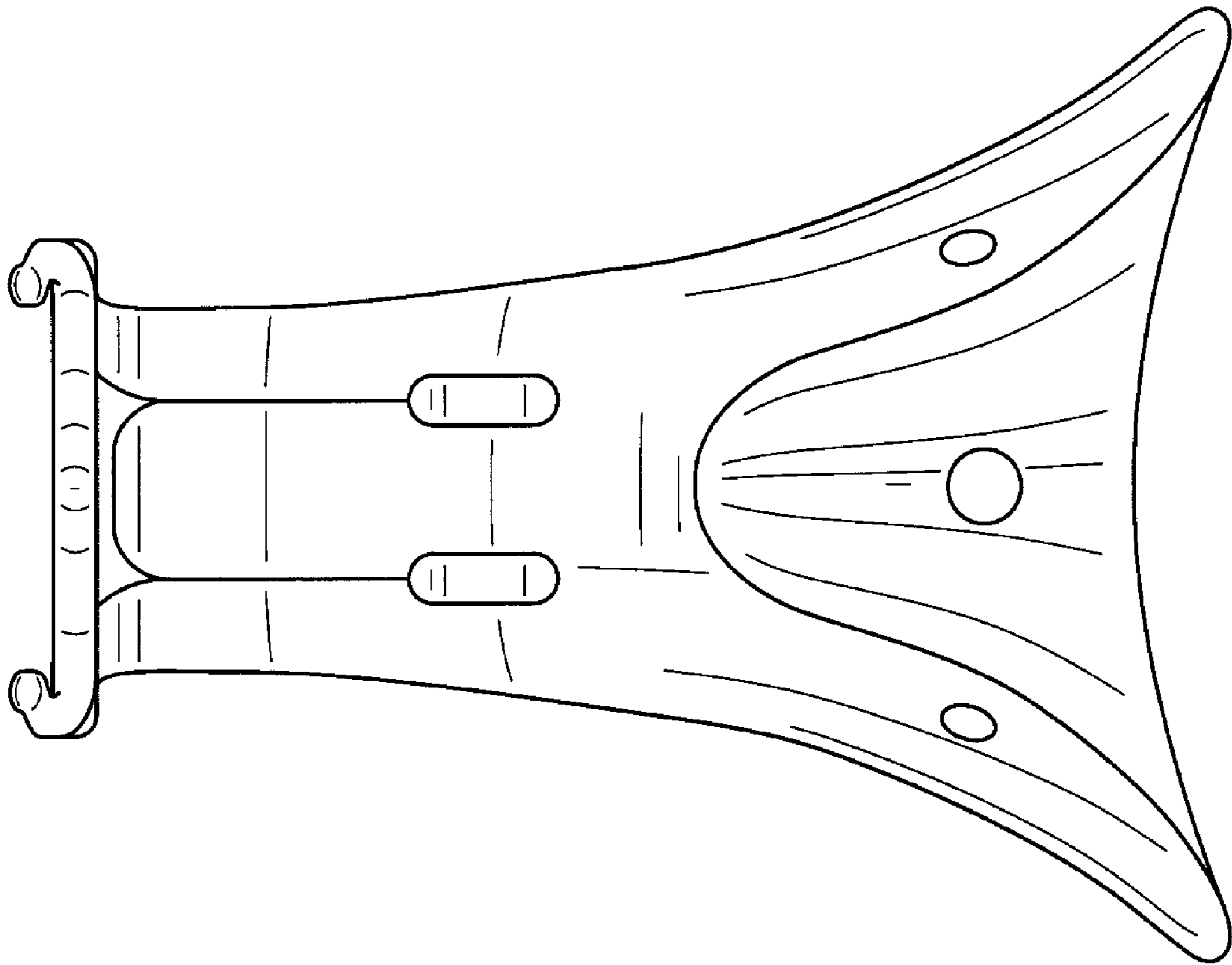


Fig. 2

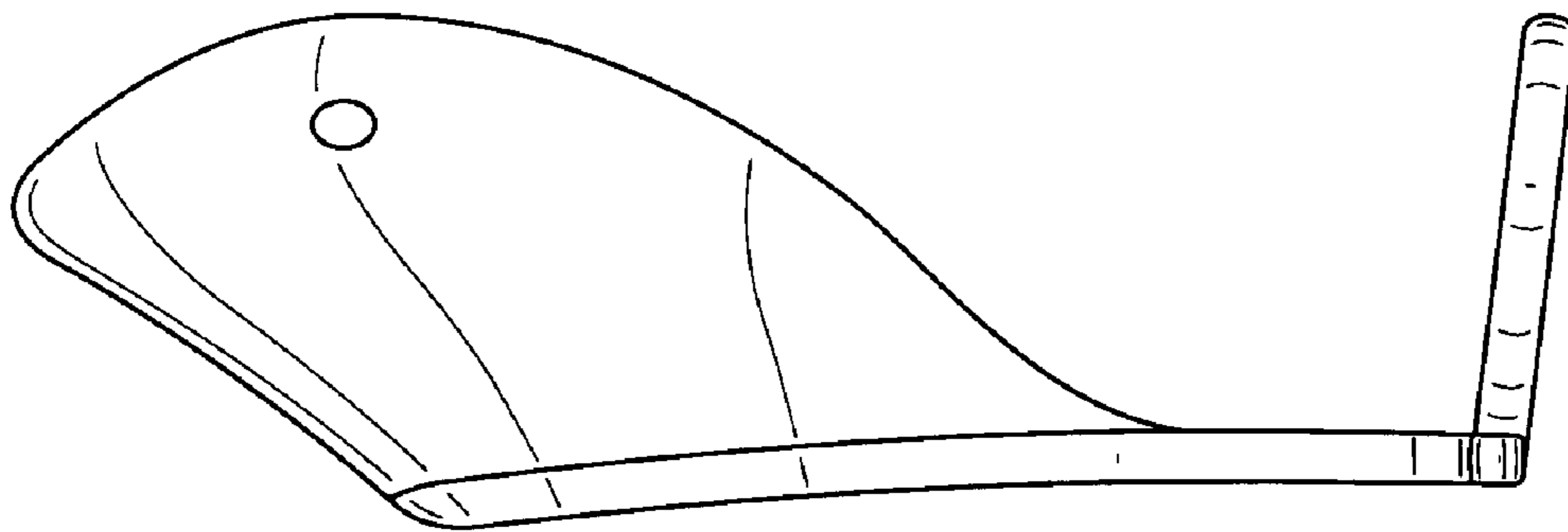


Fig. 3

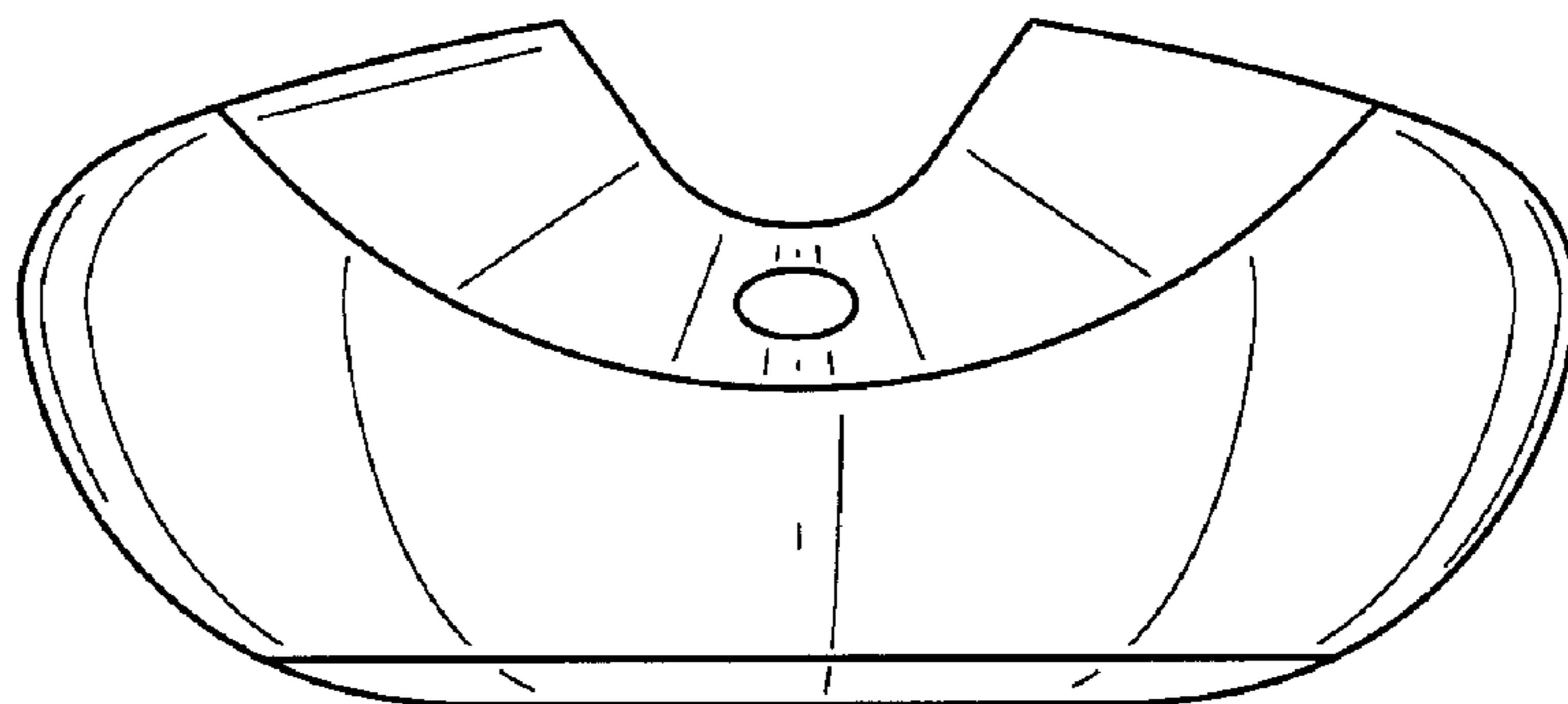


Fig. 4

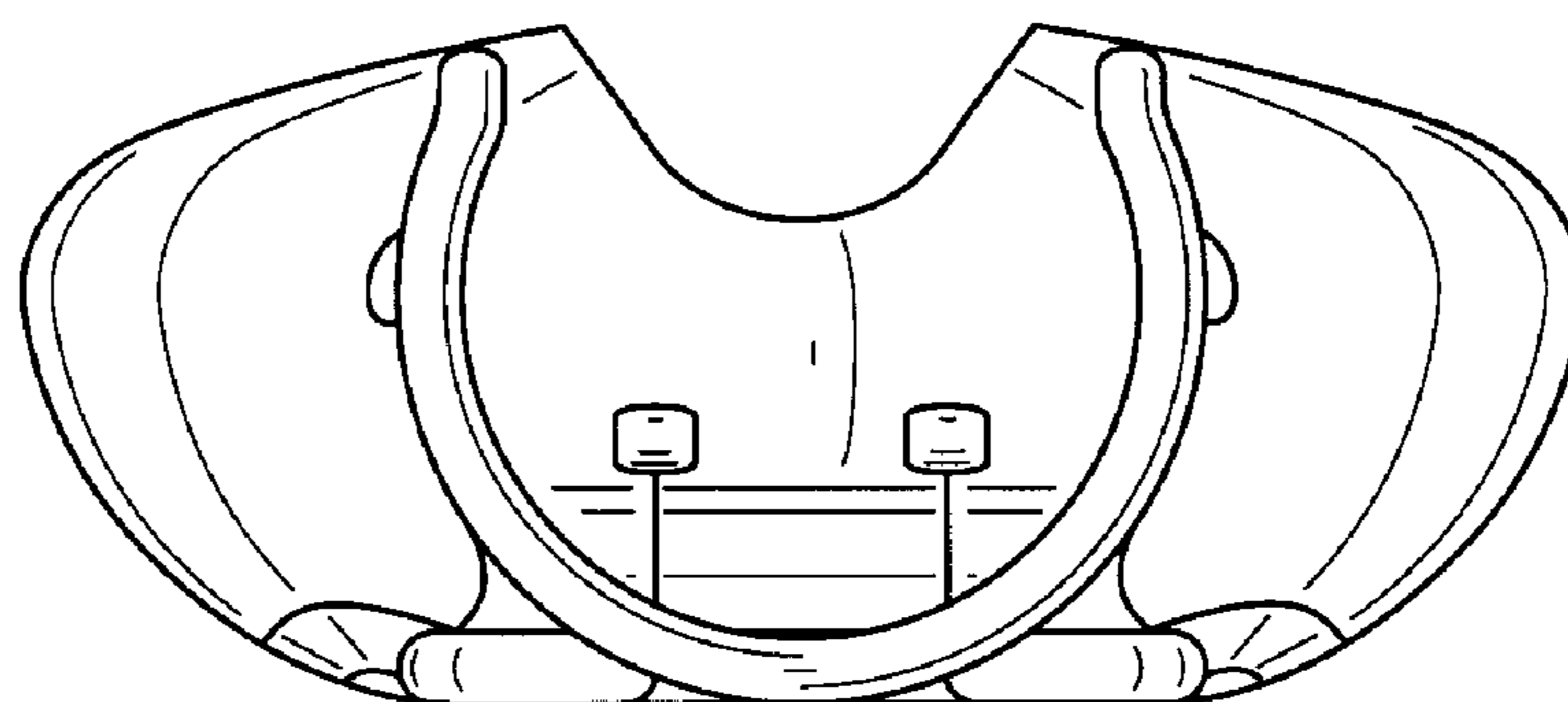


Fig. 5

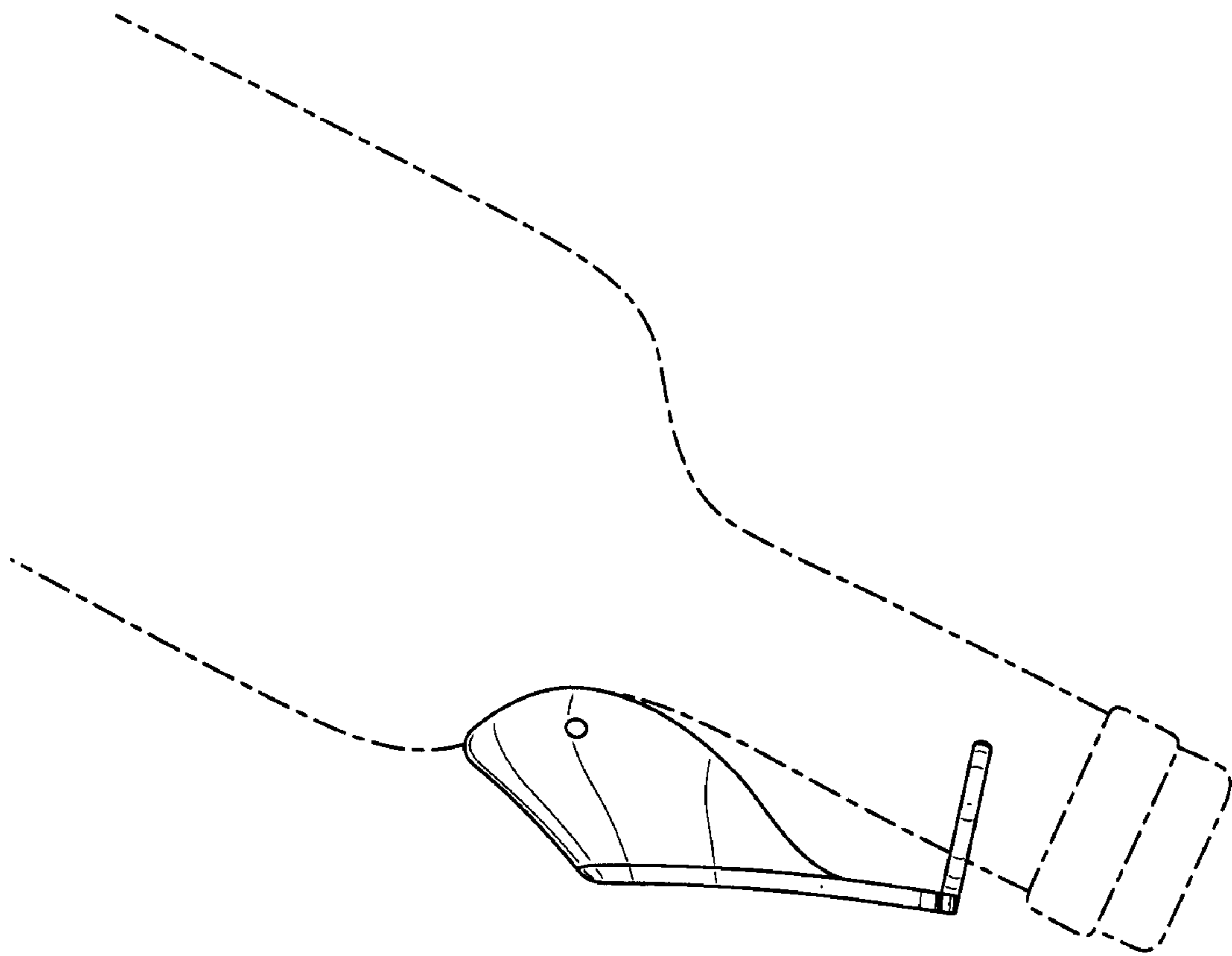


Fig. 6

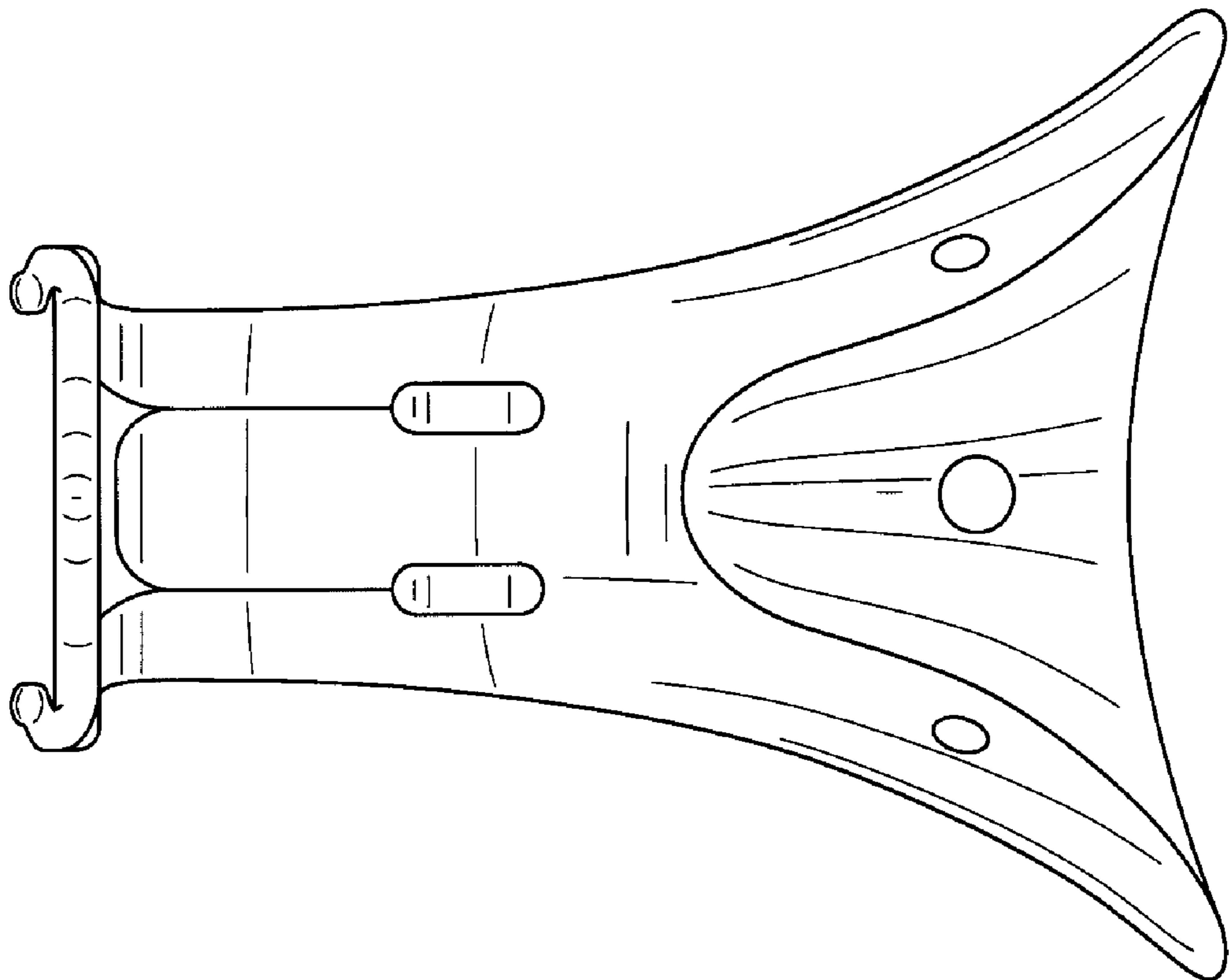


Fig. 7

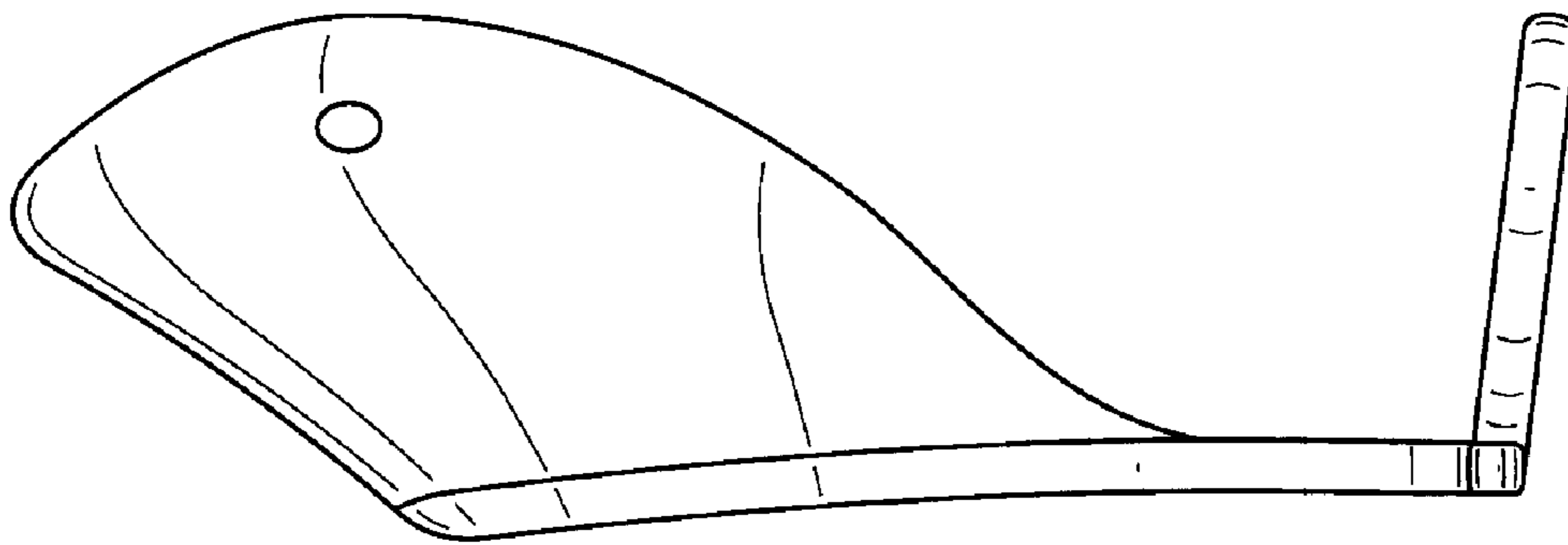


Fig. 8

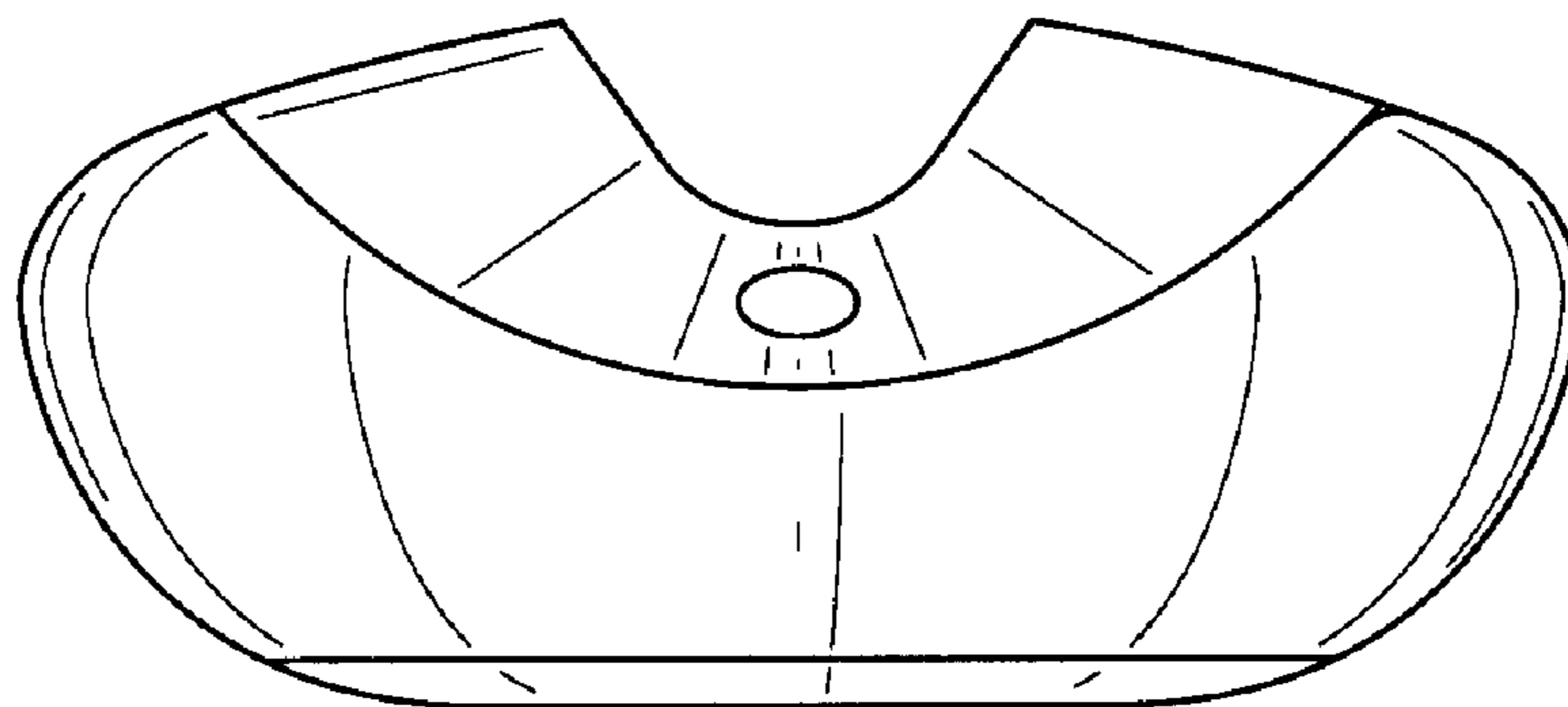


Fig. 9

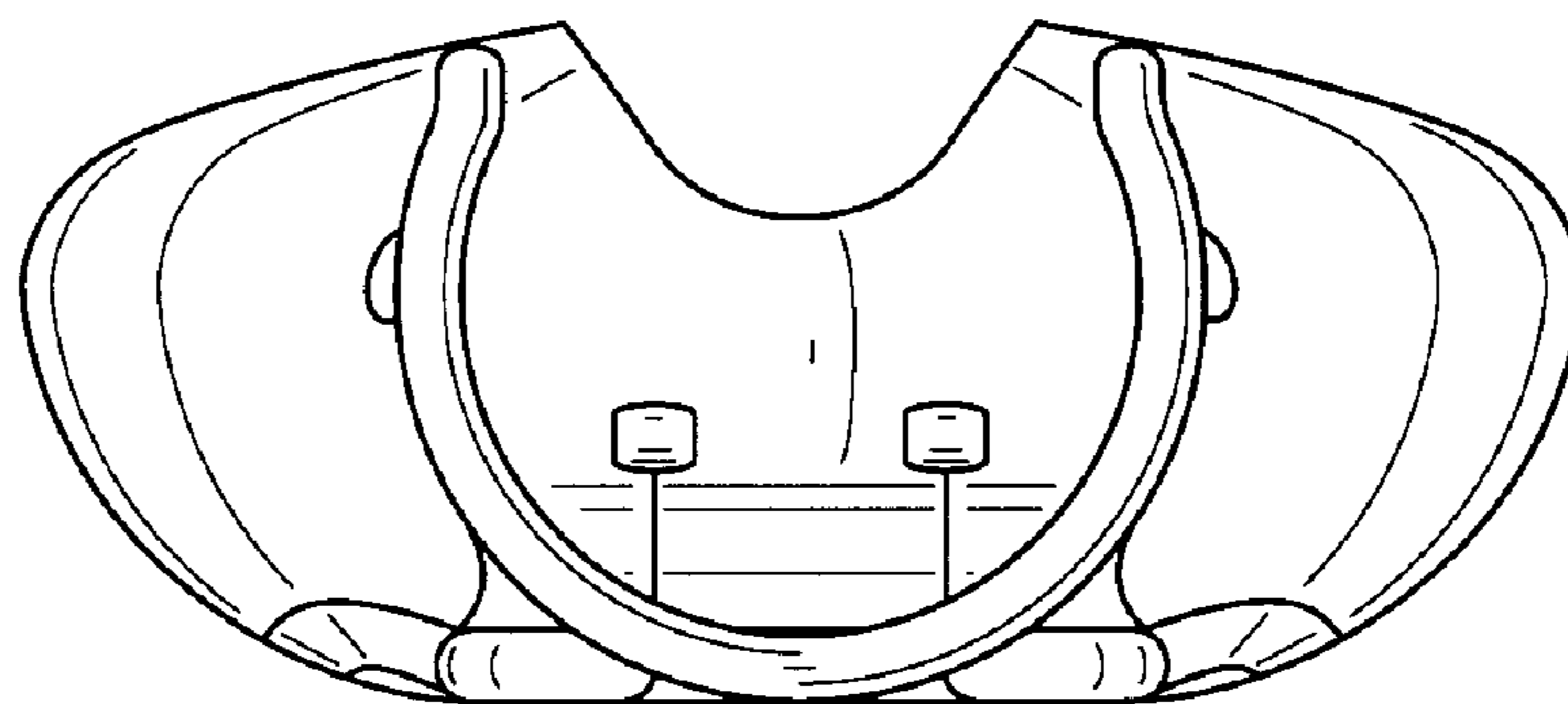


Fig. 10

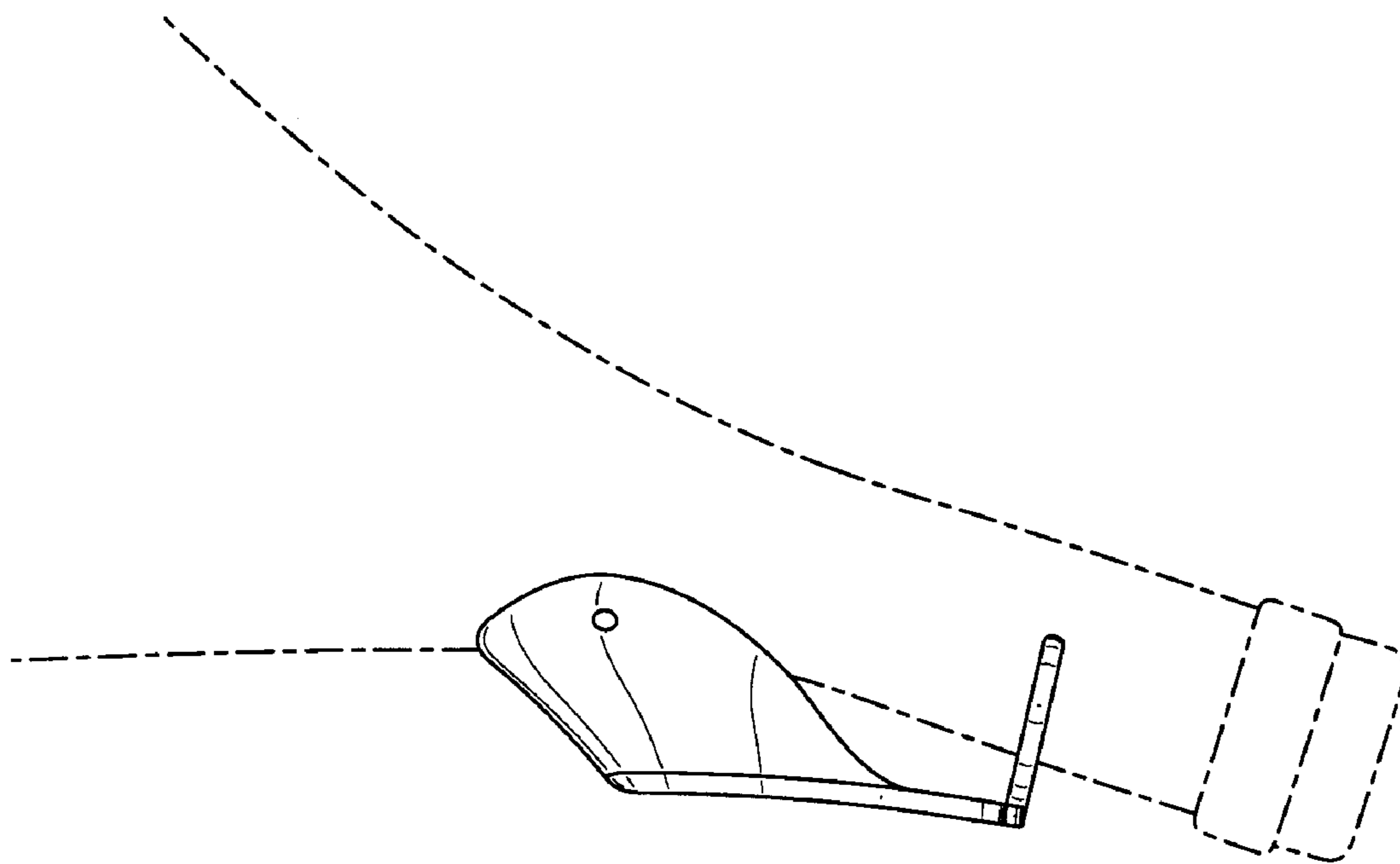


Fig. 11