



US00D569691S

(12) **United States Design Patent**
Goodman et al.

(10) **Patent No.:** **US D569,691 S**

(45) **Date of Patent:** **** May 27, 2008**

(54) **FRUIT BOWL**

(75) Inventors: **Sheldon H. Goodman**, Solon, OH
(US); **Omer I. Sazir**, Cleveland, OH
(US)

(73) Assignee: **Spectrum Diversified Designs, Inc.**,
Streetsboro, OH (US)

(**) Term: **14 Years**

(21) Appl. No.: **29/279,485**

(22) Filed: **May 2, 2007**

(51) **LOC (8) Cl.** **07-01**

(52) **U.S. Cl.** **D7/601**

(58) **Field of Classification Search** D7/601,
D7/602, 409, 584, 586, 587; D6/566, 567,
D6/525, 511, 537, 540, 572, 574; D19/76;
211/181.1, 13.1, 41.3, 41.4, 86.01, 88.01;
220/766-769, 494, 485, 488; D3/304, 306
See application file for complete search history.

(56) **References Cited**

U.S. PATENT DOCUMENTS

D274,880 S * 7/1984 Bentson D7/409
D339,266 S * 9/1993 Lockett D7/409
D371,228 S * 6/1996 Monin D30/121
D379,872 S * 6/1997 Sanchez et al. D3/306

D397,584 S * 9/1998 Vannello D7/601
D442,019 S * 5/2001 Wyche D7/354
D446,688 S * 8/2001 Vanello D7/601
D462,422 S * 9/2002 Conner D3/306
D519,325 S * 4/2006 Goodman et al. D7/601

* cited by examiner

Primary Examiner—Terry A Wallace

(74) *Attorney, Agent, or Firm*—Pearne & Gordon LLP

(57) **CLAIM**

The ornamental design for a fruit bowl, as shown and described.

DESCRIPTION

FIG. 1 is a perspective view of a fruit bowl, showing our new design;

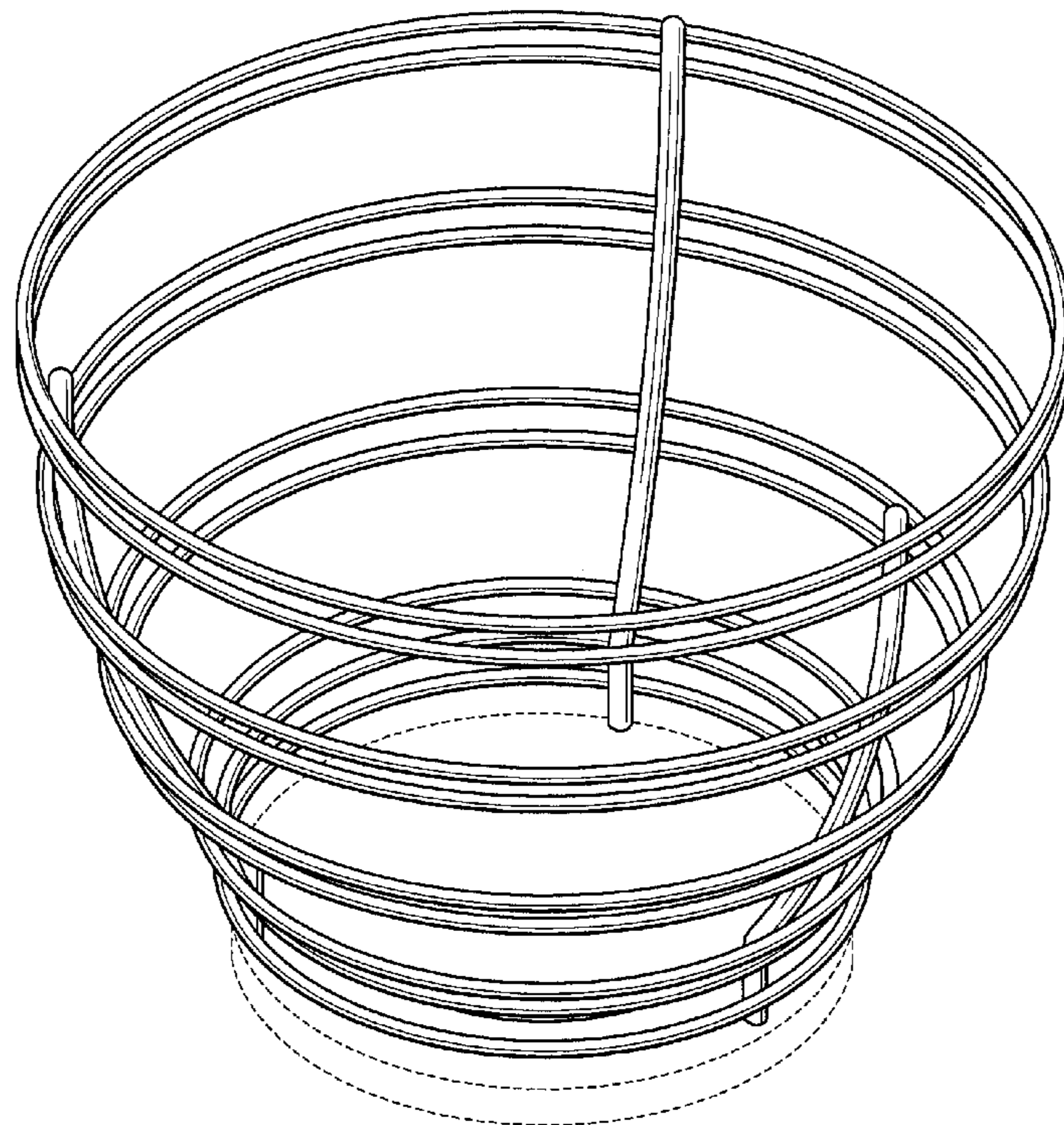
FIG. 2 is a front elevational view thereof;

FIG. 3 is a top plan view thereof; and,

FIG. 4 is a perspective view of an alternate embodiment of FIG. 1. the jagged broken lines form no part of the claimed design and the subject matter between the jagged lines is broken away to disclose indeterminate height and a variable number of rings.

The broken lines are for illustrative purposes only and form no part of the claimed design.

1 Claim, 3 Drawing Sheets



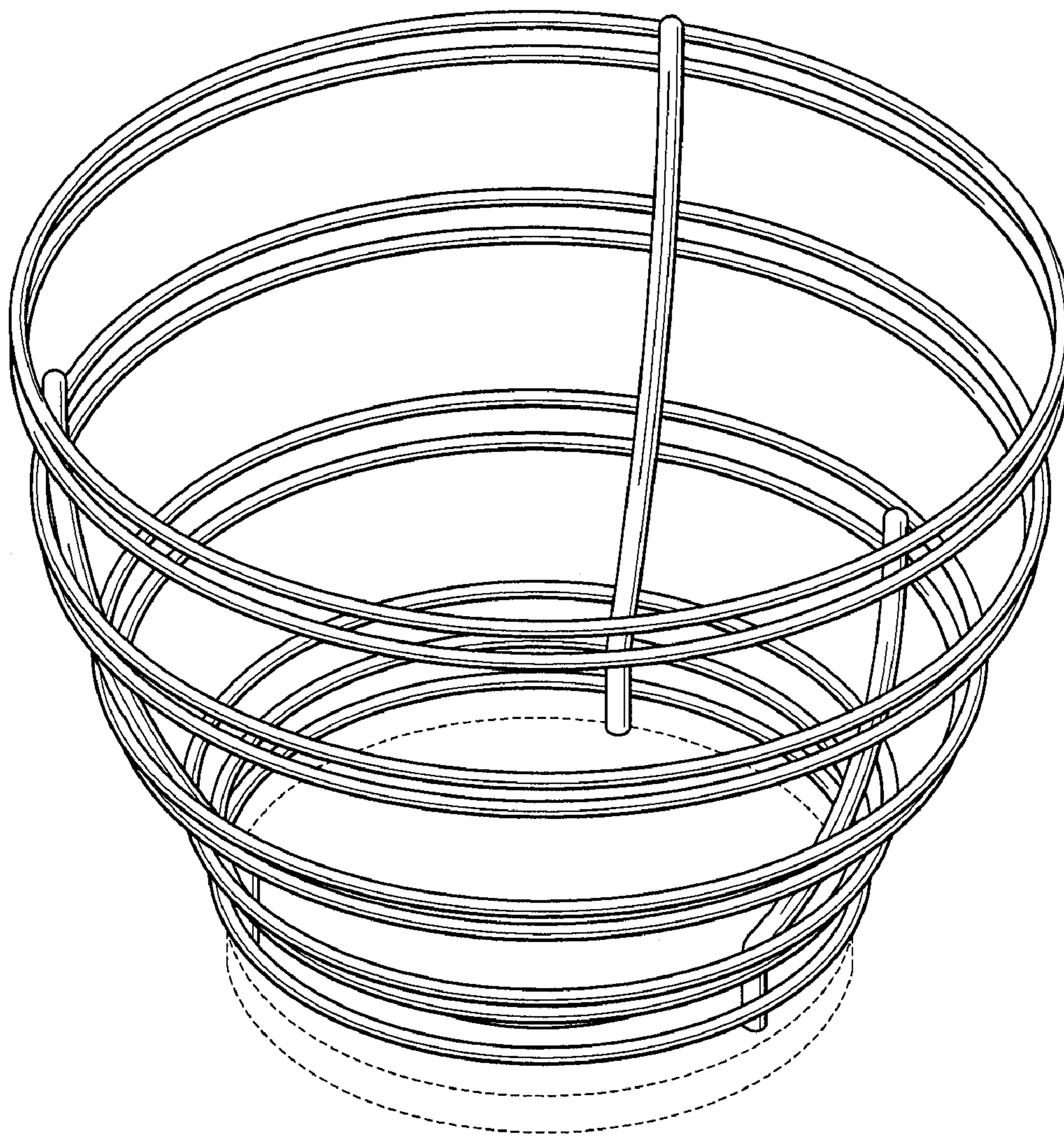


FIG. 1

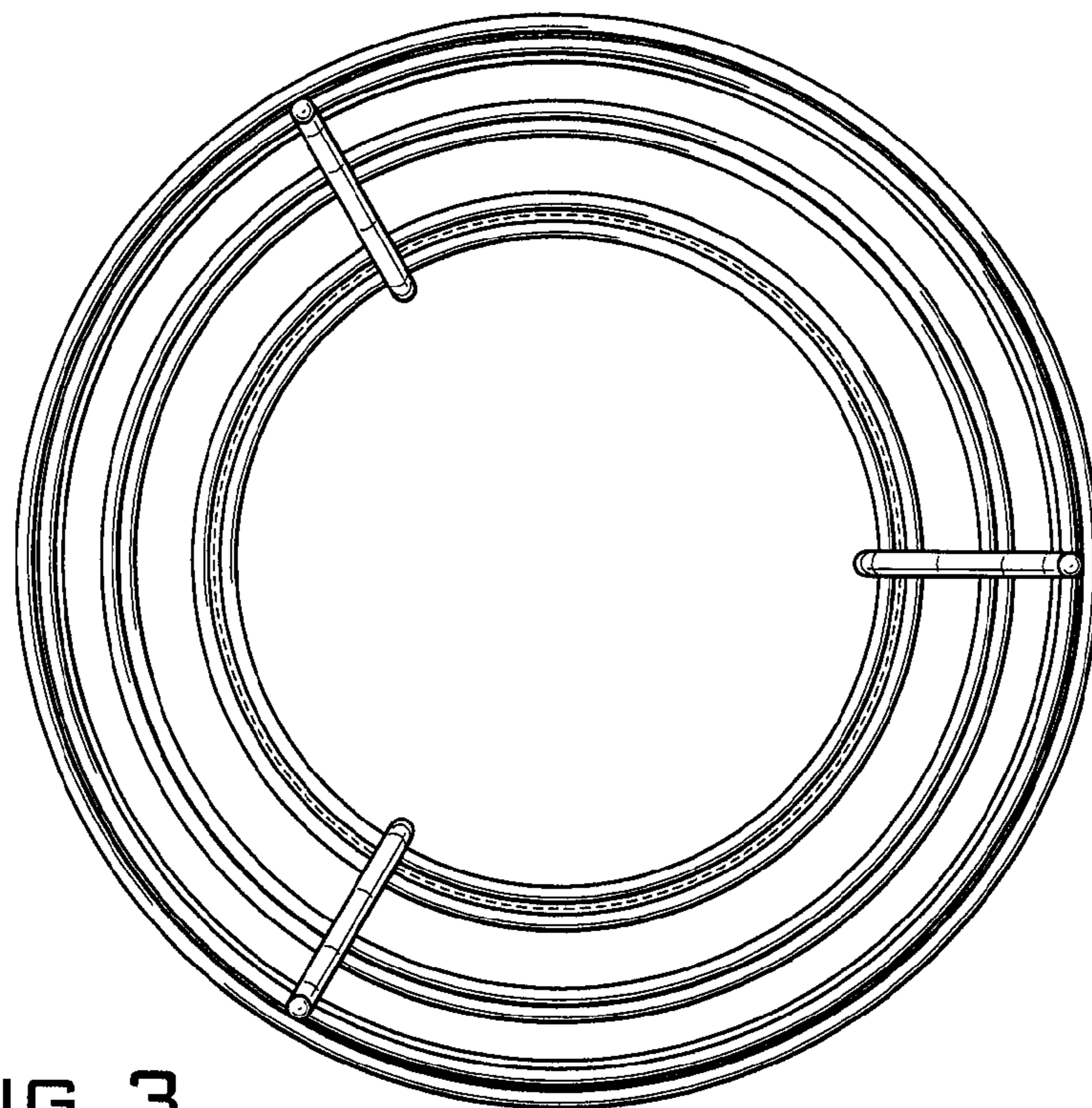


FIG. 3

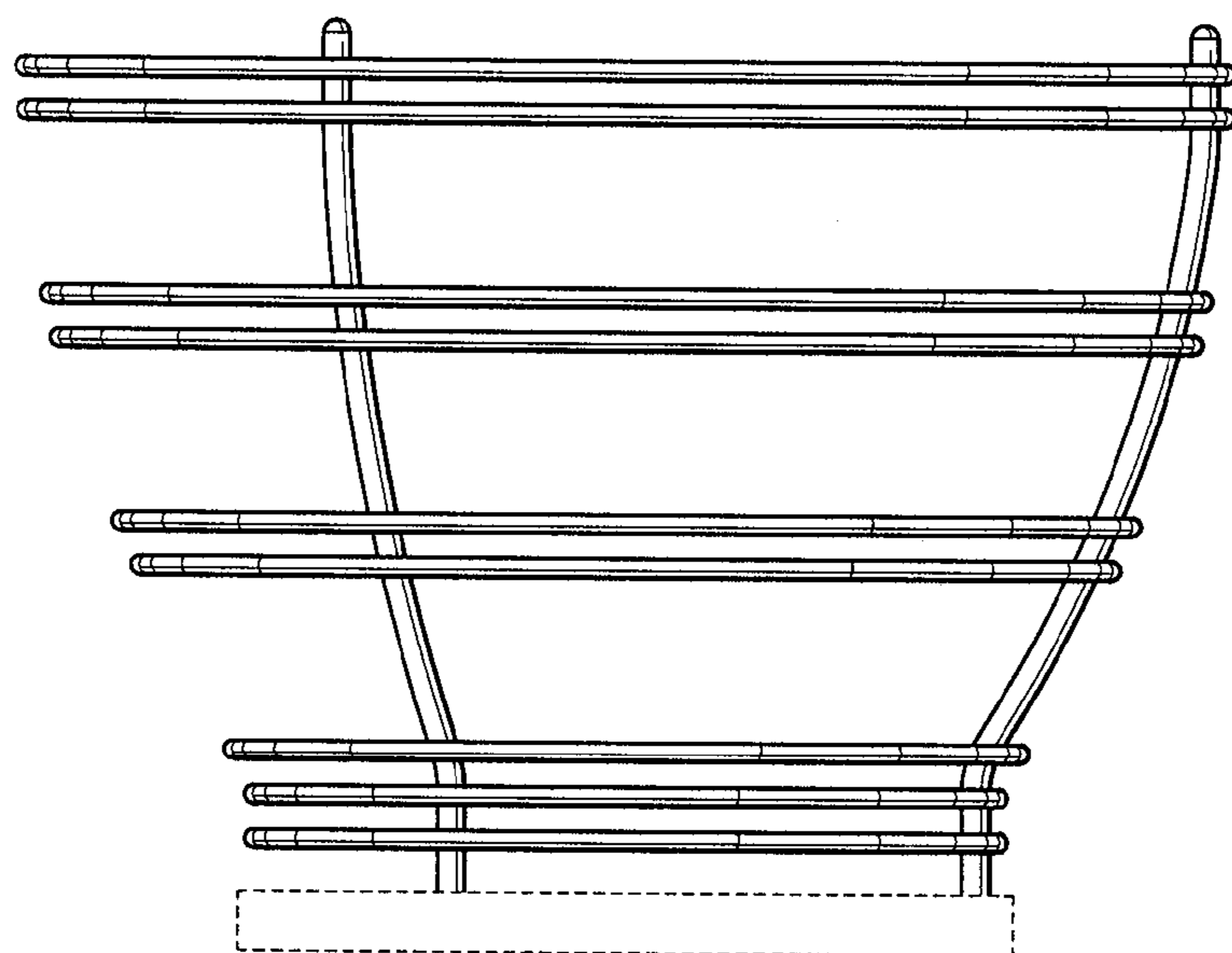


FIG. 2

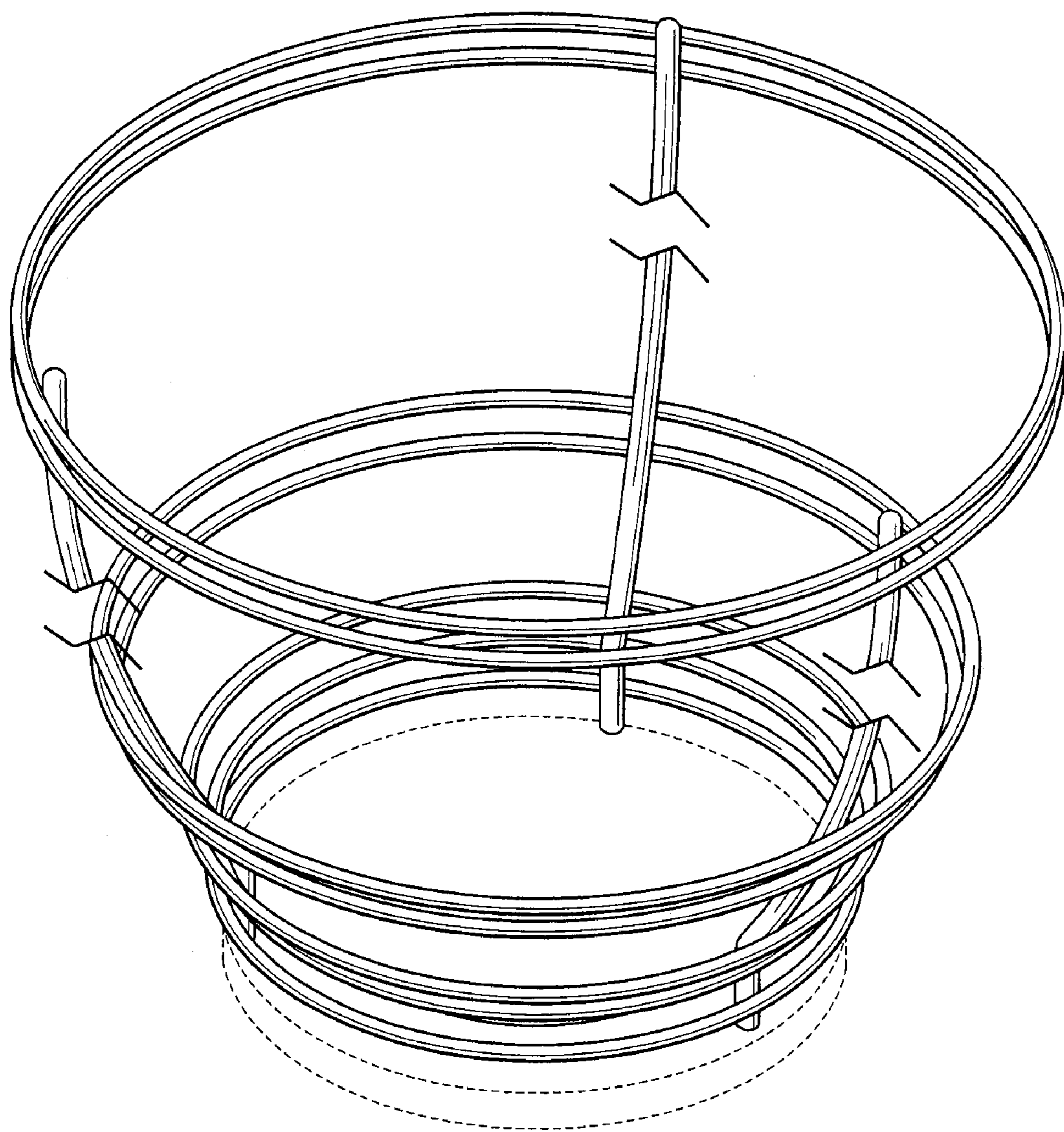


FIG. 4