

US00D569686S

(12) **United States Design Patent**
Martin et al.

(10) **Patent No.:** **US D569,686 S**

(45) **Date of Patent:** **** May 27, 2008**

(54) **PORTION OF AN APPLIANCE**

(75) Inventors: **Robert H. Martin**, Anderson, SC (US);
Robert Pezzetta, Porcia (IT); **Kent**
Allen Stephen Crookshanks,
Anderson, SC (US); **Vittorio**
Cascianelli, Anderson, SC (US)

(73) Assignee: **Electrolux Home Products, Inc.**,
Cleveland, OH (US)

(**) Term: **14 Years**

(21) Appl. No.: **29/282,682**

(22) Filed: **Jul. 26, 2007**

(51) **LOC (8) Cl.** **07-02**

(52) **U.S. Cl.** **D7/405**

(58) **Field of Classification Search** D7/339-341,
D7/346-349, 402, 405-406; 126/21 A, 21 R,
126/273 A, 39 B; 219/391-394
See application file for complete search history.

(56) **References Cited**

U.S. PATENT DOCUMENTS

3,924,601 A * 12/1975 Nuss 126/21 R
D366,983 S * 2/1996 Leukhardt et al. D7/349
D477,177 S * 7/2003 Jeong D7/340
D521,317 S * 5/2006 Hessen et al. D7/405
D521,805 S * 5/2006 Hessen et al. D7/405

D536,208 S * 2/2007 Ostlund et al. D7/340
D536,568 S * 2/2007 Ostlund et al. D7/340
D543,781 S * 6/2007 Martin et al. D7/405
D560,958 S * 2/2008 Shin et al. D7/348

* cited by examiner

Primary Examiner—Robert A. Delehanty

Assistant Examiner—Mark Cavanna

(74) *Attorney, Agent, or Firm*—Banner & Witcoff, Ltd.

(57) **CLAIM**

The ornamental design for a portion of an appliance, as shown and described.

DESCRIPTION

FIG. 1 is a front perspective view of a portion of an appliance showing our new design;

FIG. 2 is a front view thereof;

FIG. 3 is a left side view thereof;

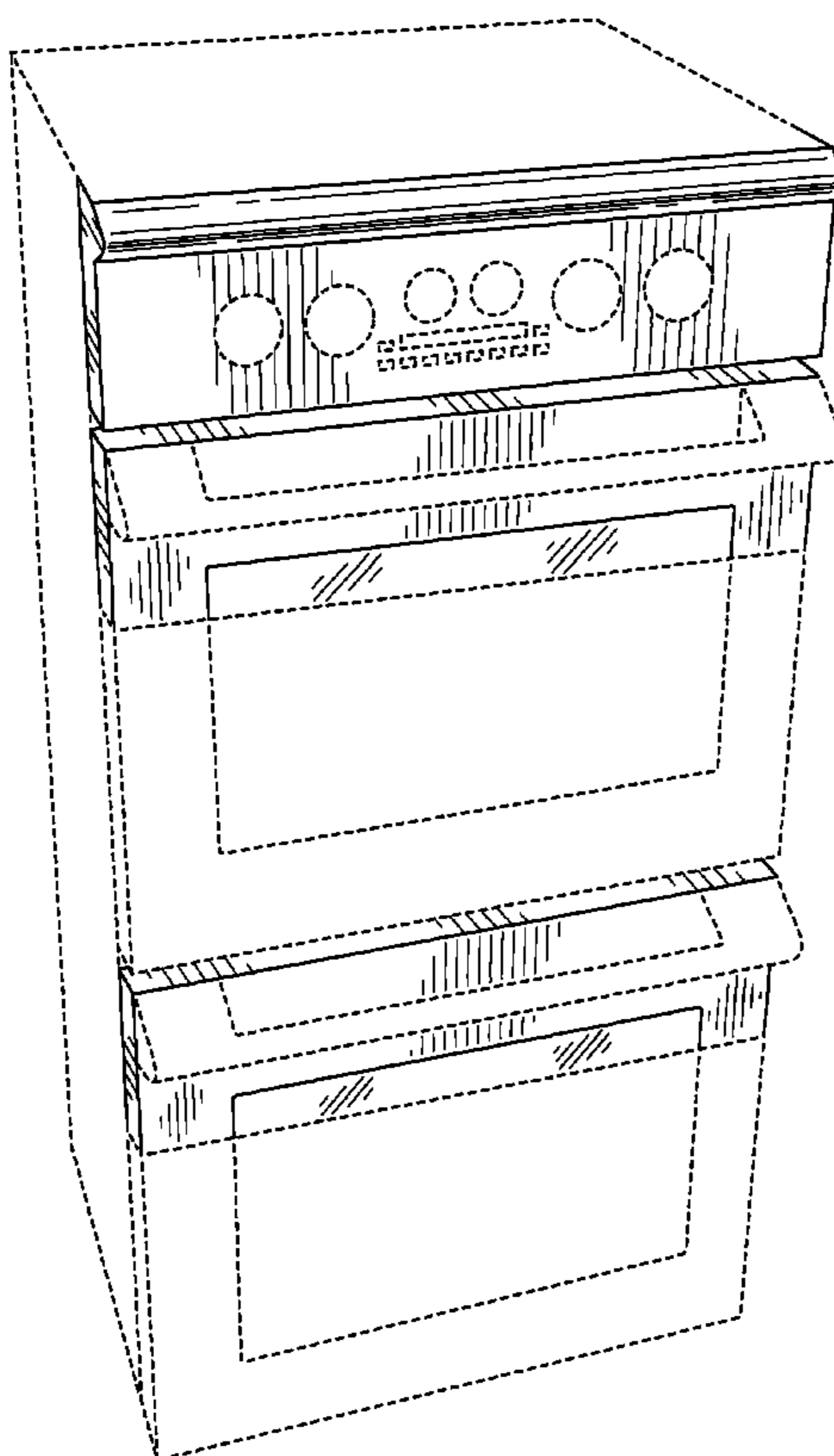
FIG. 4 is a right side view thereof;

FIG. 5 is a top view thereof; and,

FIG. 6 is a bottom view thereof.

The broken line showing of various regions, including the unshaded areas therein, is for illustrative purposes and forms no part of the claimed design.

1 Claim, 6 Drawing Sheets



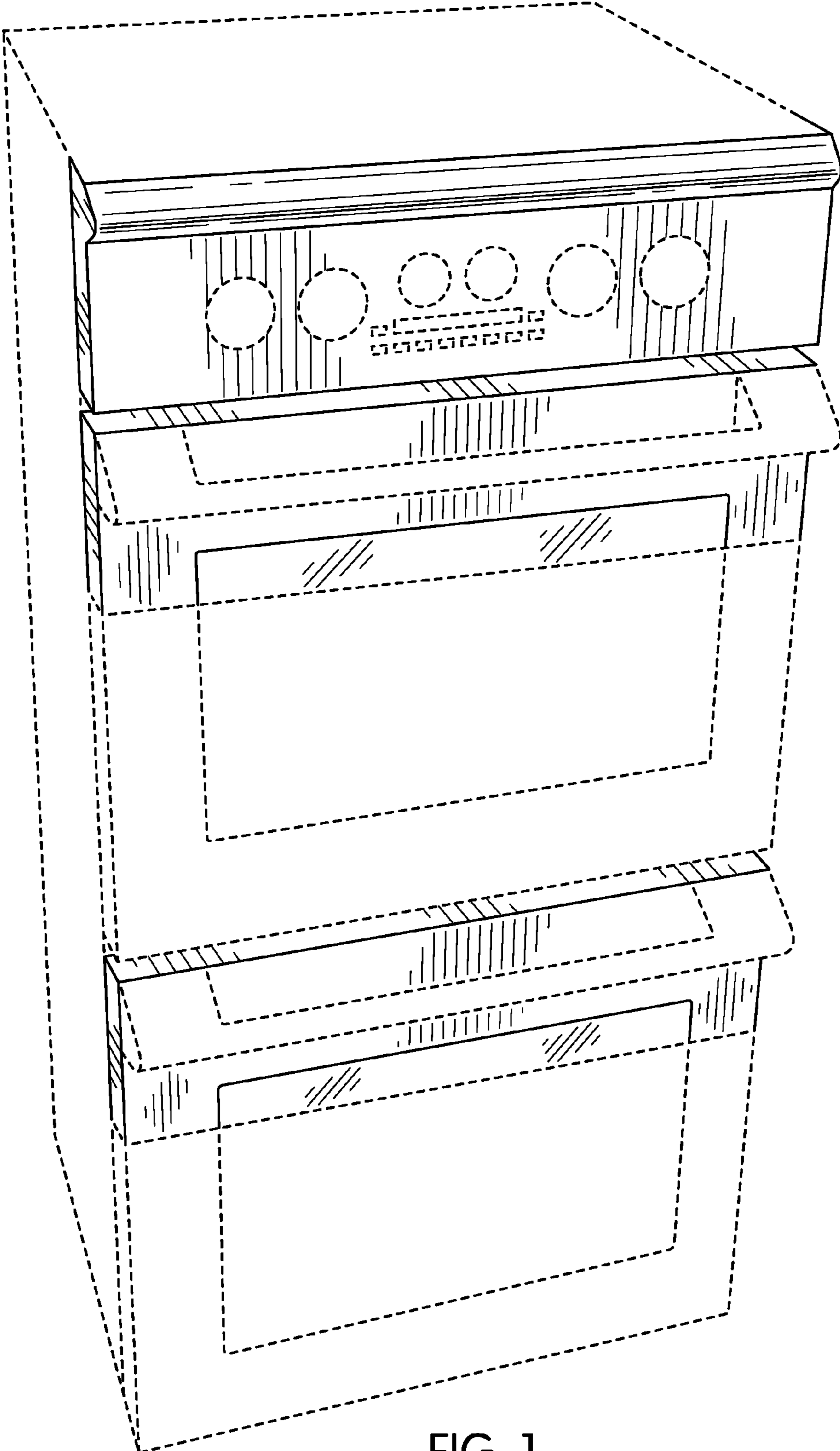


FIG. 1

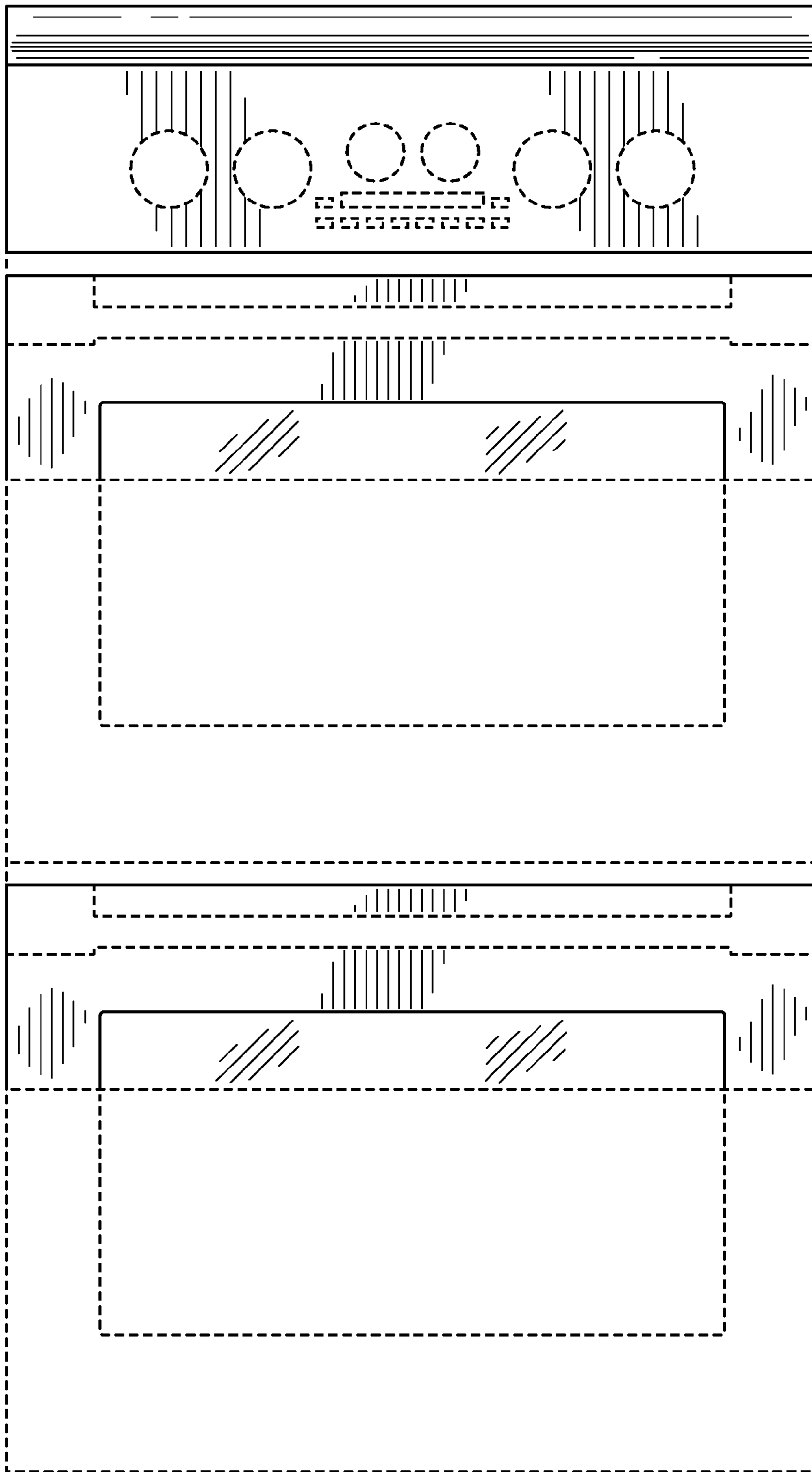


FIG. 2

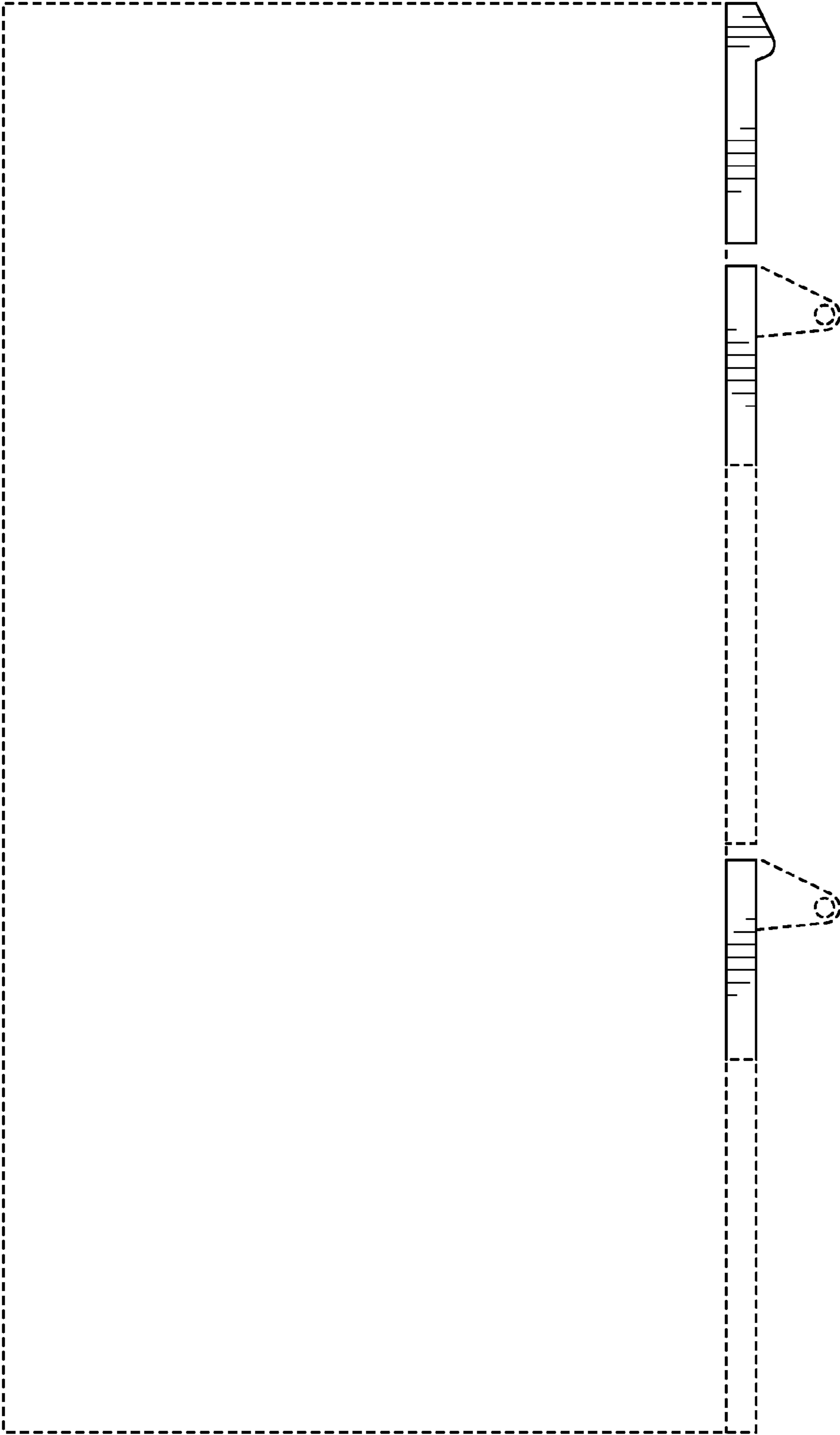


FIG. 3

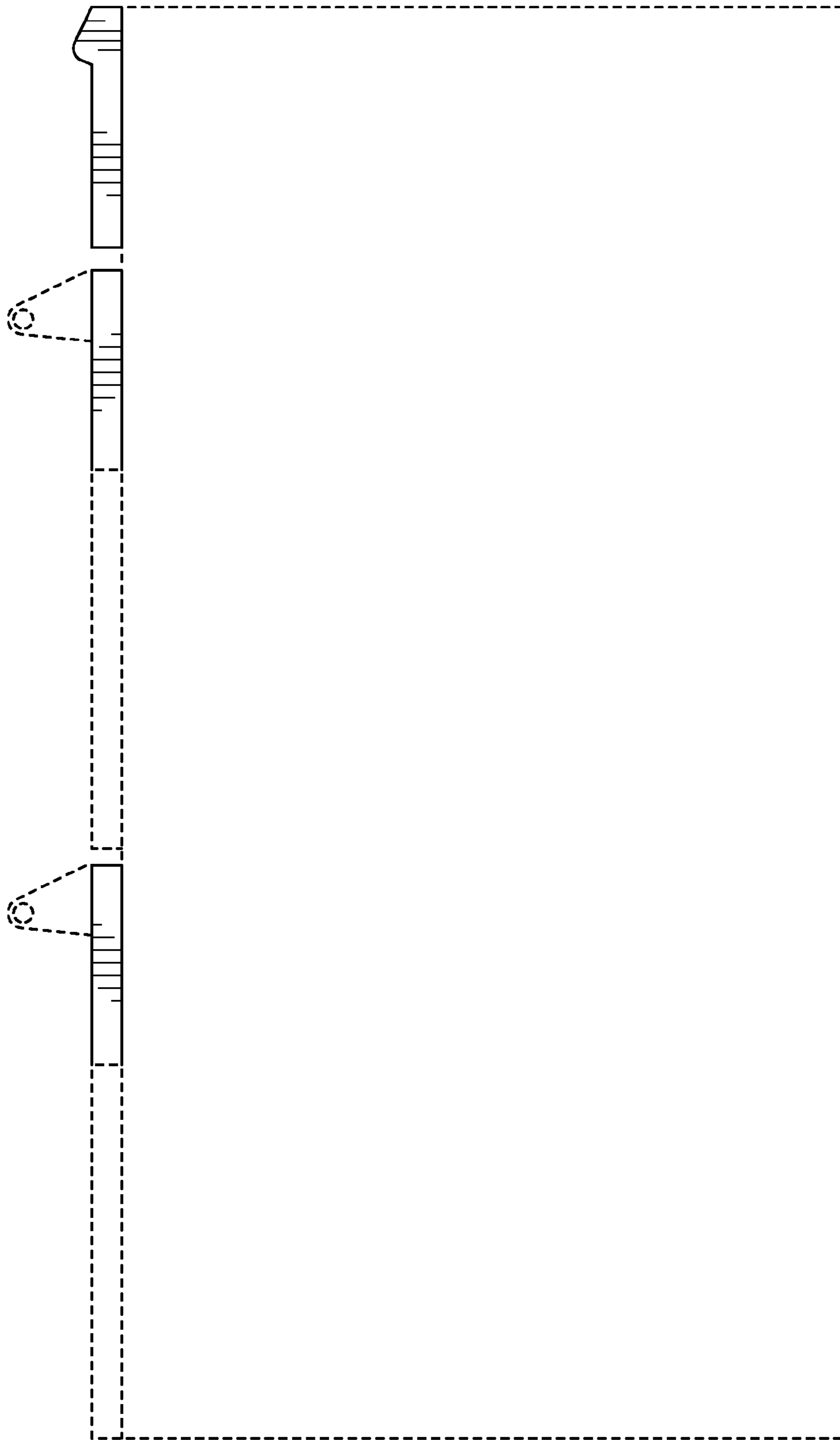


FIG. 4

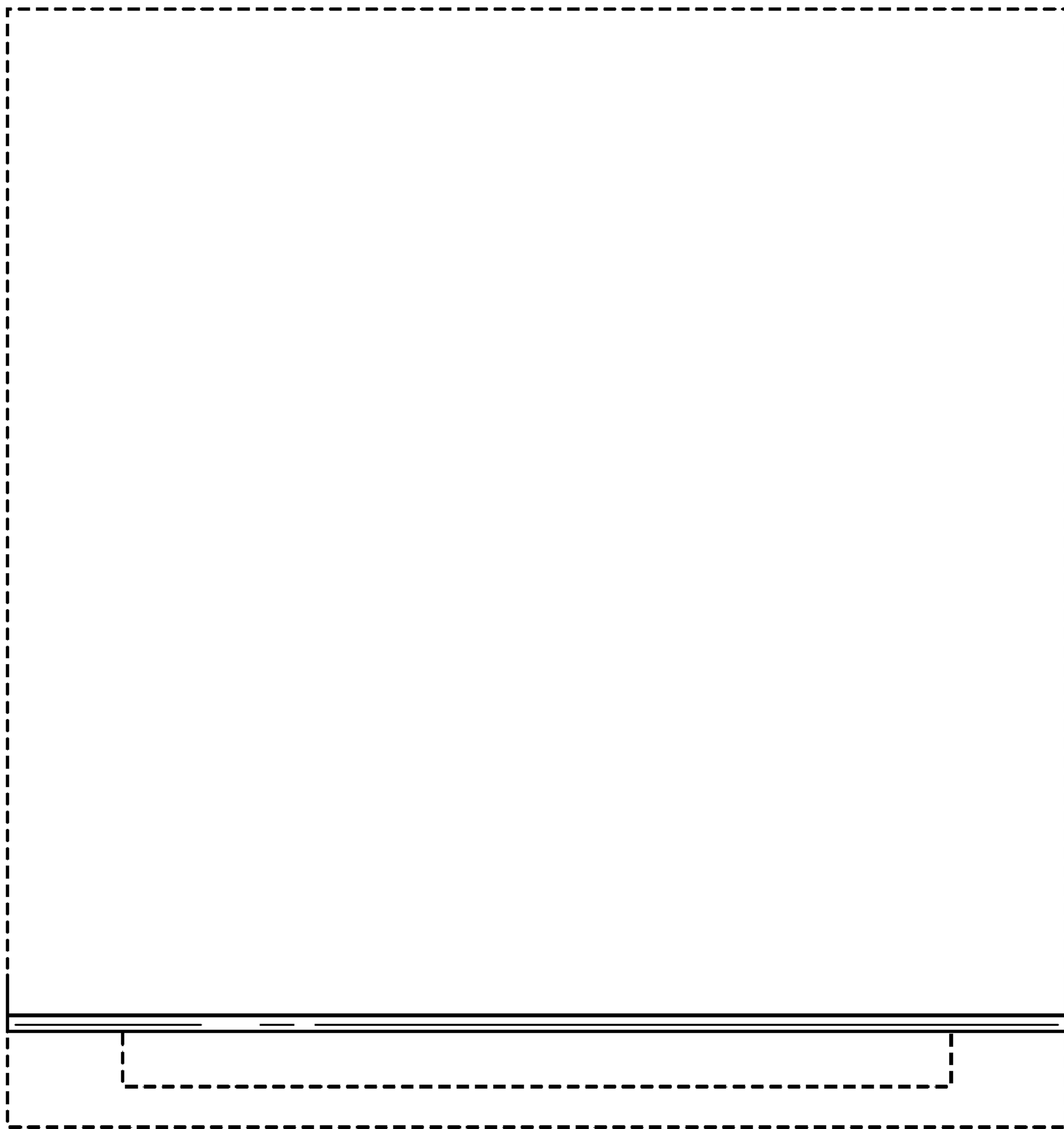


FIG. 5

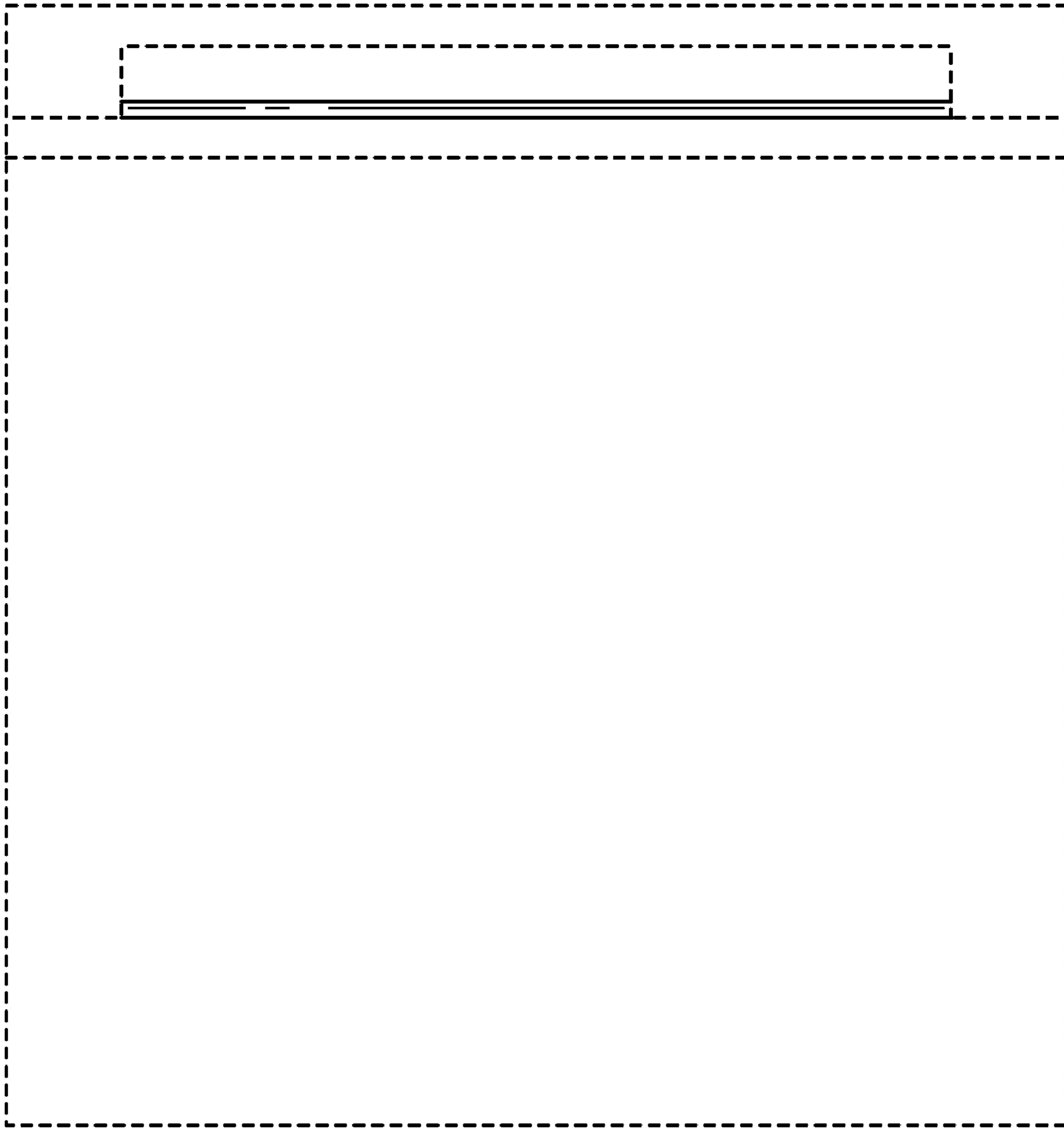


FIG. 6