



US00D569685S

(12) **United States Design Patent**  
**Liu**

(10) **Patent No.:** **US D569,685 S**

(45) **Date of Patent:** **\*\* May 27, 2008**

(54) **POT VALVE**

(76) Inventor: **Ming-Tung Liu**, 2F, No. 7, Alley 45,  
Lane 236, Sec. 5, Jhongsiao E. Rd.,  
Sinyi Dist., Taipei City (TW)

(\*\*) Term: **14 Years**

(21) Appl. No.: **29/281,576**

(22) Filed: **Jun. 26, 2007**

(51) **LOC (8) Cl.** ..... **07-01**

(52) **U.S. Cl.** ..... **D7/398; D7/387**

(58) **Field of Classification Search** ..... D7/407,  
D7/398, 397, 396.6, 396.1, 387, 558, 900,  
D7/388, 396, 624.1; D8/349; D9/434; D23/209;  
D11/143; 47/67; 222/566, 185.1; 224/566,  
224/483; 248/309.1

See application file for complete search history.

(56) **References Cited**

**U.S. PATENT DOCUMENTS**

D260,175 S *	8/1981	Hein et al. ....	D24/162
D281,300 S *	11/1985	Gluck .....	D6/495
D327,807 S *	7/1992	Jung .....	D7/387
D389,011 S *	1/1998	DeCoster .....	D7/387
D412,551 S *	8/1999	Smith et al. ....	D23/209
D437,770 S *	2/2001	Garske et al. ....	D8/349
D448,974 S *	10/2001	Hydak et al. ....	D7/397
D472,604 S *	4/2003	Fritze .....	D23/209
D502,052 S *	2/2005	Meade .....	D7/396.2
6,889,948 B2 *	5/2005	Melancon et al. ....	248/309.1
7,293,676 B2 *	11/2007	Liston et al. ....	222/185.1

2007/0175335 A1\* 8/2007 Liverani et al. .... 99/279  
2007/0251955 A1\* 11/2007 Green ..... 222/185.1

\* cited by examiner

*Primary Examiner*—Philip Hyder  
*Assistant Examiner*—Cynthia Underwood  
(74) *Attorney, Agent, or Firm*—Apex Juris, pllc; Tracy M Heims

(57) **CLAIM**

The ornamental design for a pot valve, as shown and described.

**DESCRIPTION**

FIG. 1 is a perspective view of a pot valve showing my new design;

FIG. 2 is a front view thereof;

FIG. 3 is a rear view thereof;

FIG. 4 is a left side view thereof;

FIG. 5 is a right side view thereof;

FIG. 6 is top view thereof;

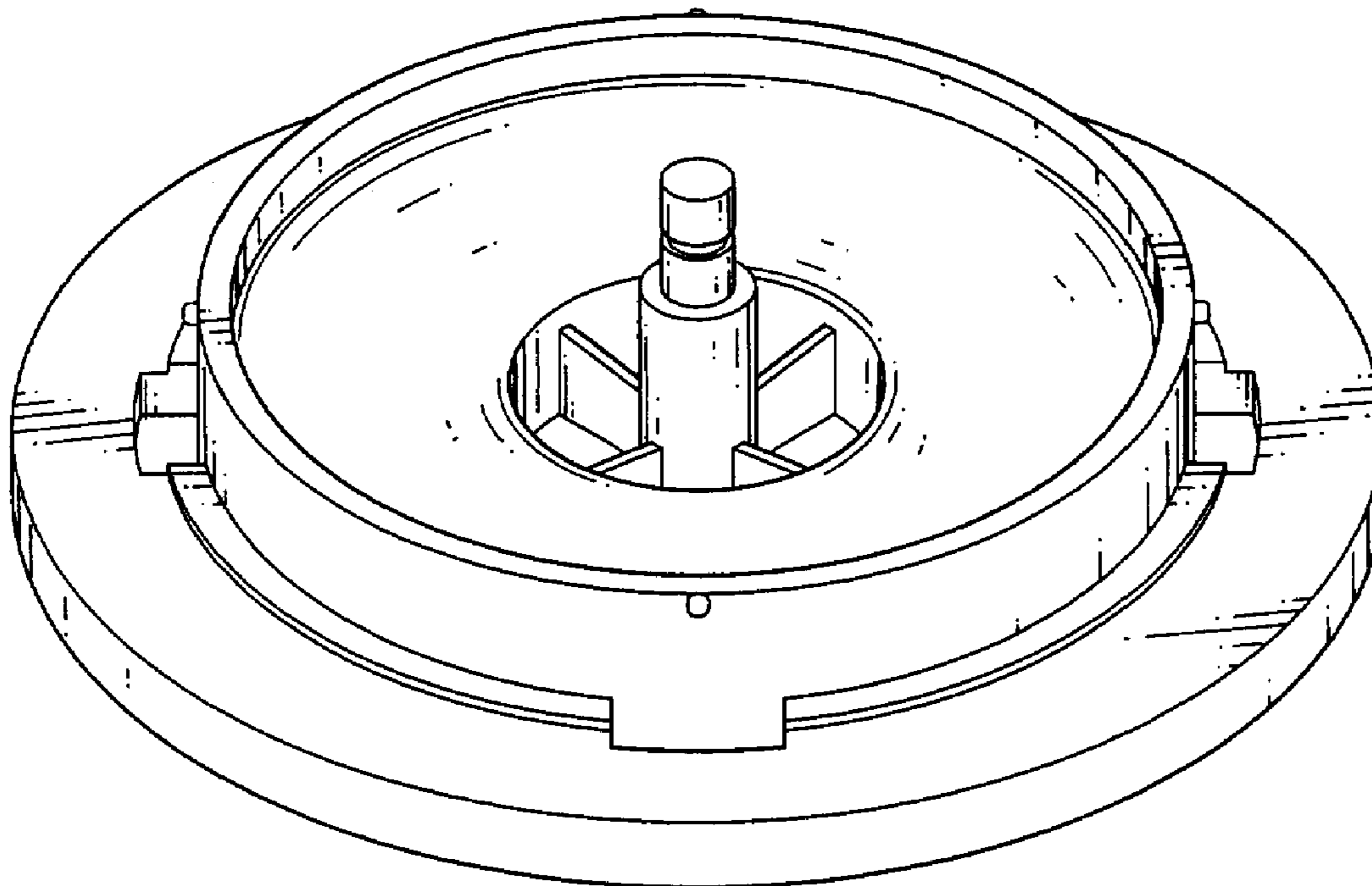
FIG. 7 is a bottom view thereof; and

FIG. 8 is another perspective view thereof; and,

FIG. 9 is an operational right side view of the pot valve mounted under a teapot.

The broken lines are shown for illustrative purposes only and form no part of the claimed design.

**1 Claim, 6 Drawing Sheets**



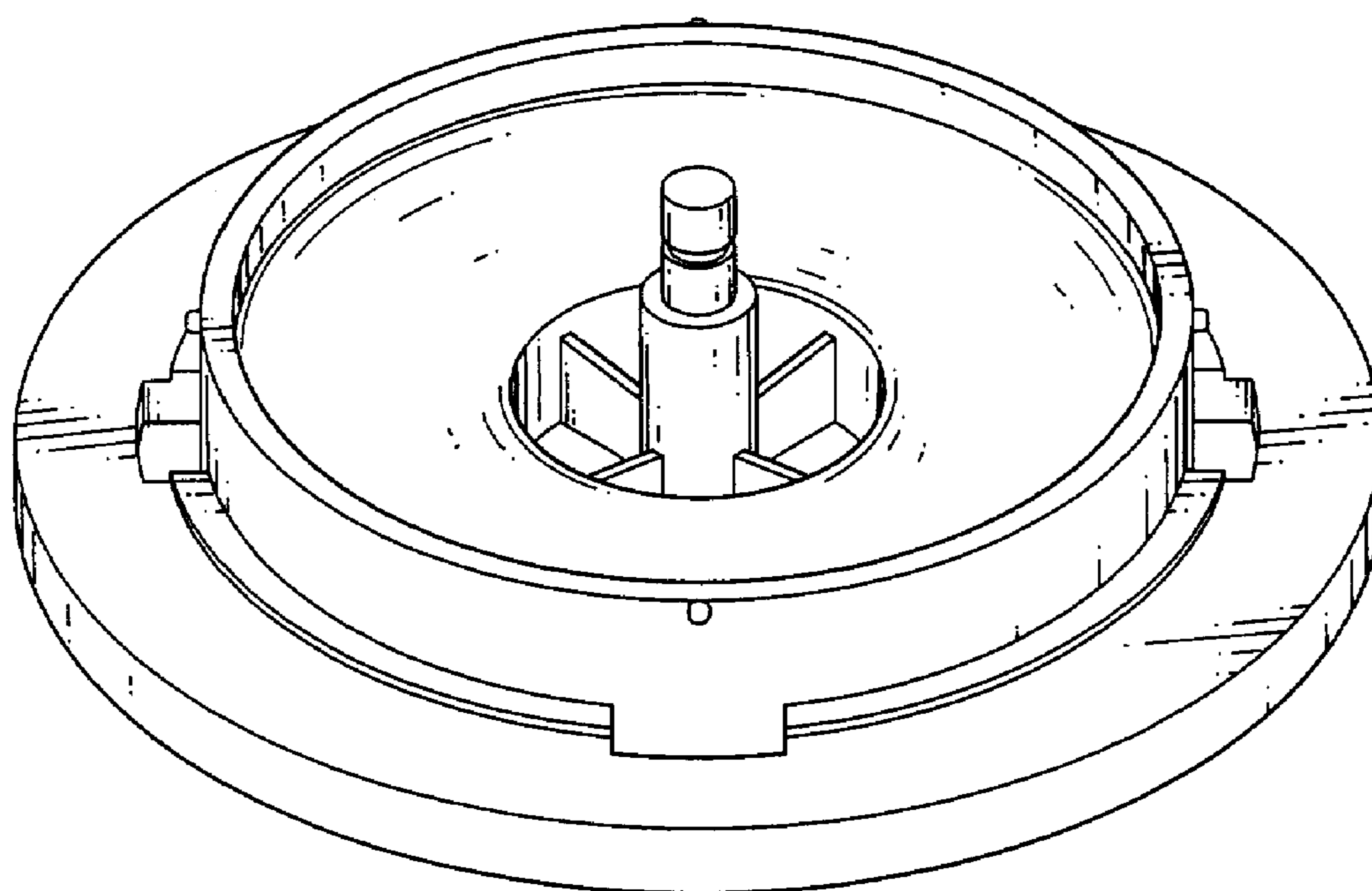


FIG. 1

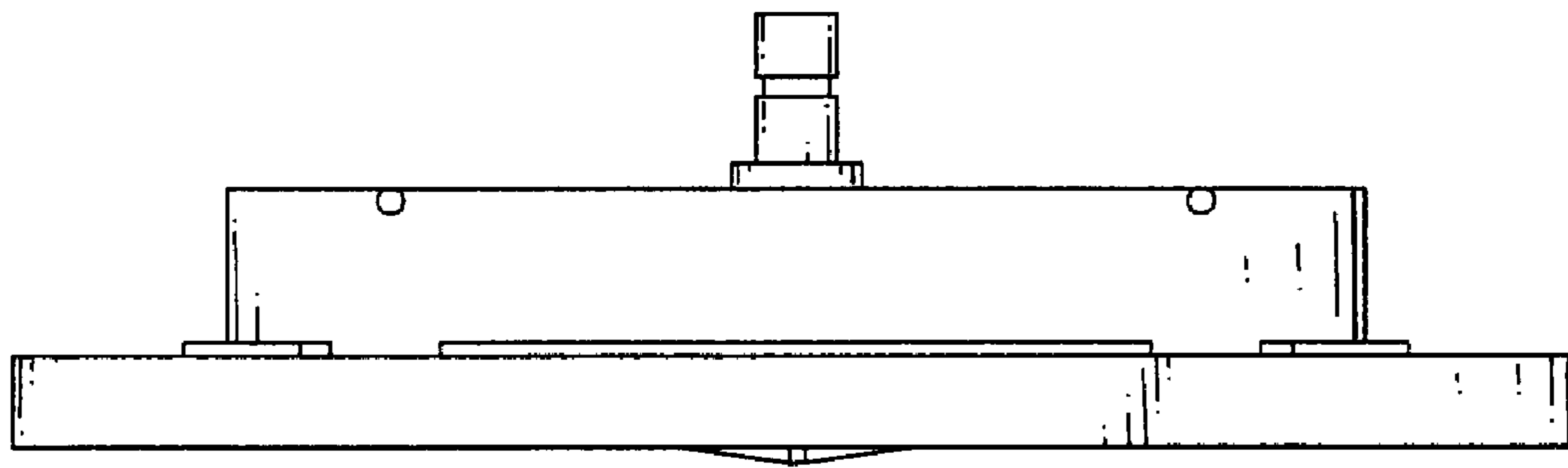


FIG. 2

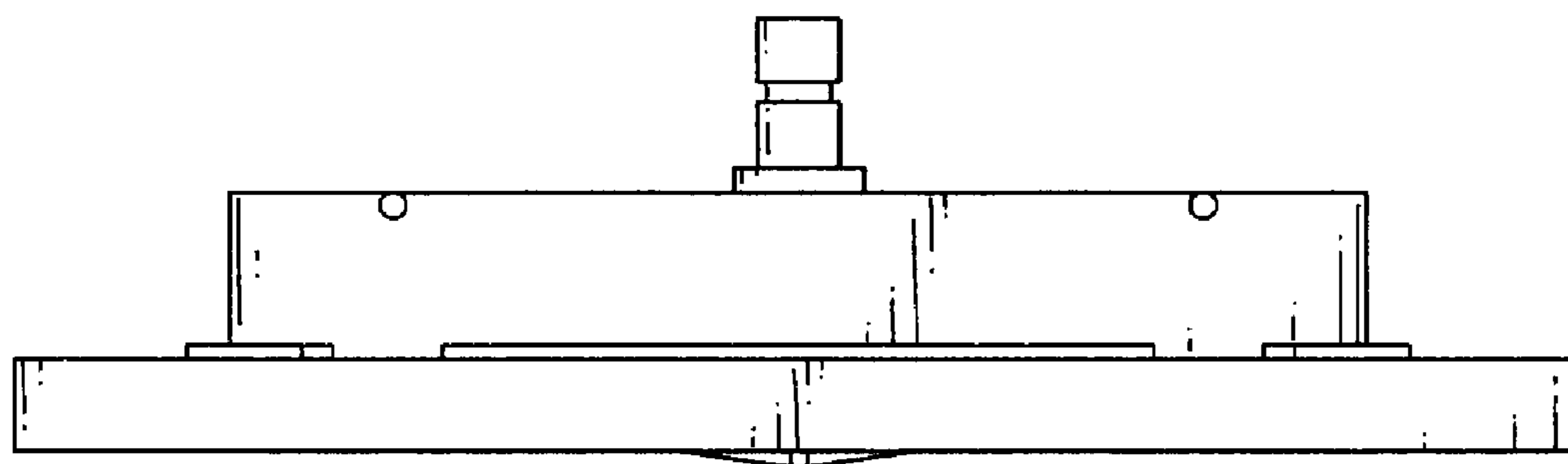


FIG. 3

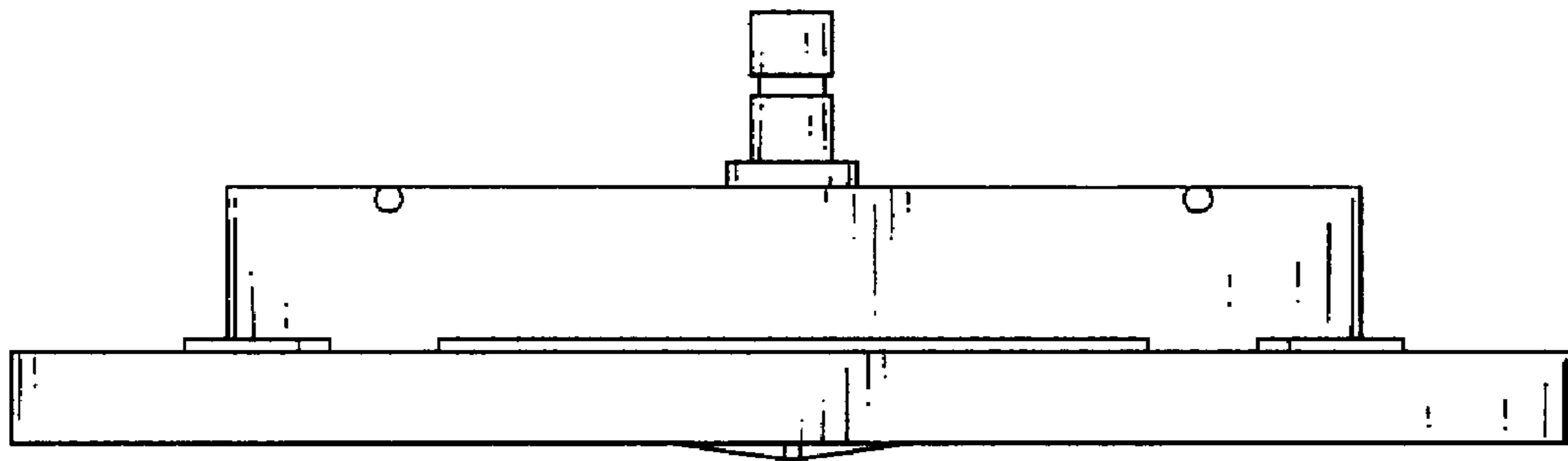


FIG. 4

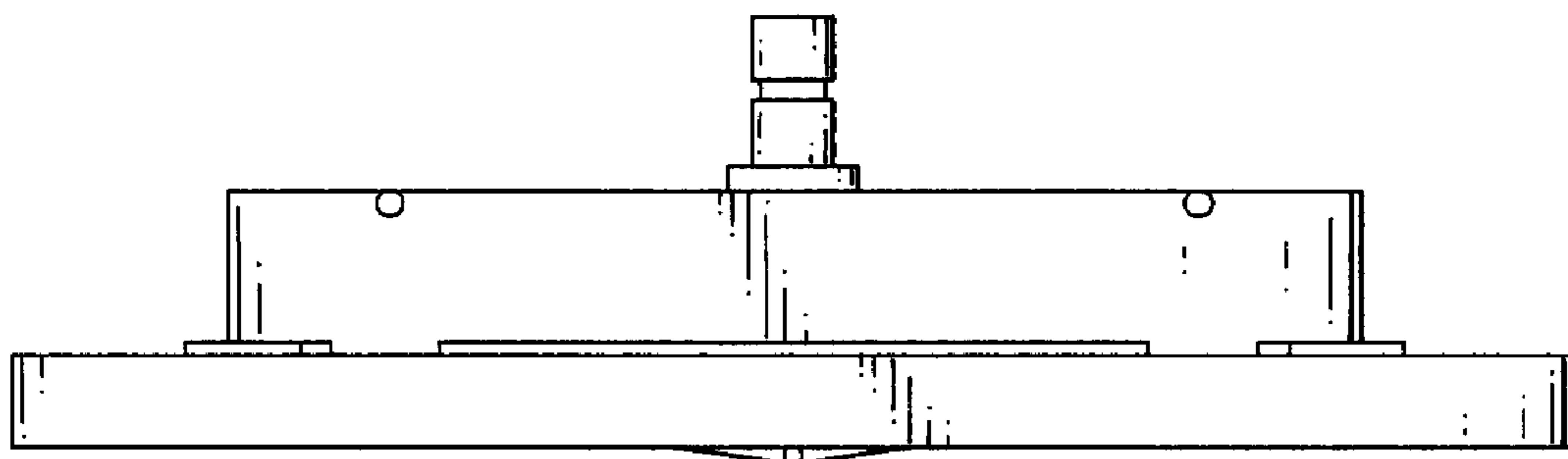


FIG. 5

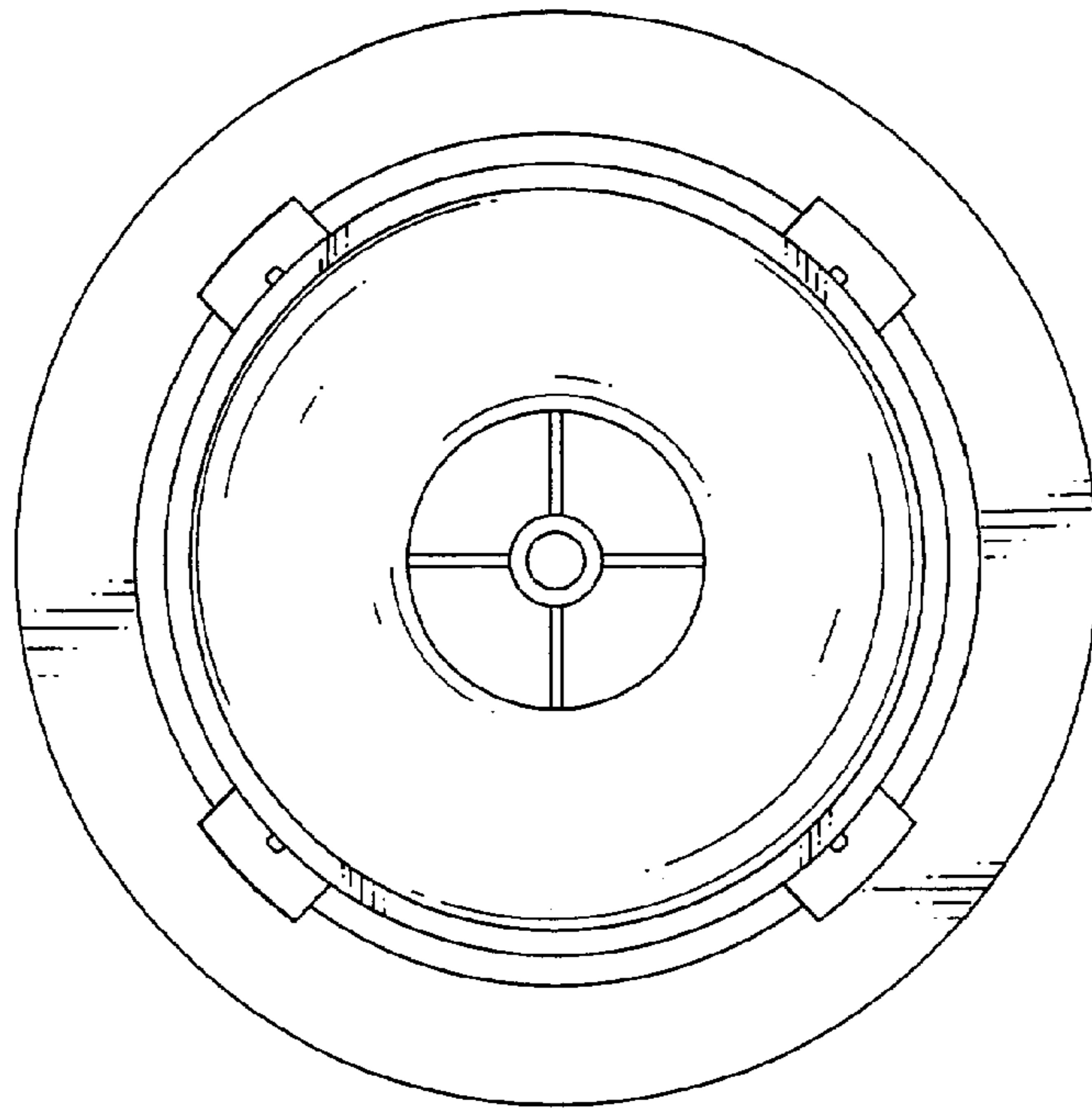


FIG. 6

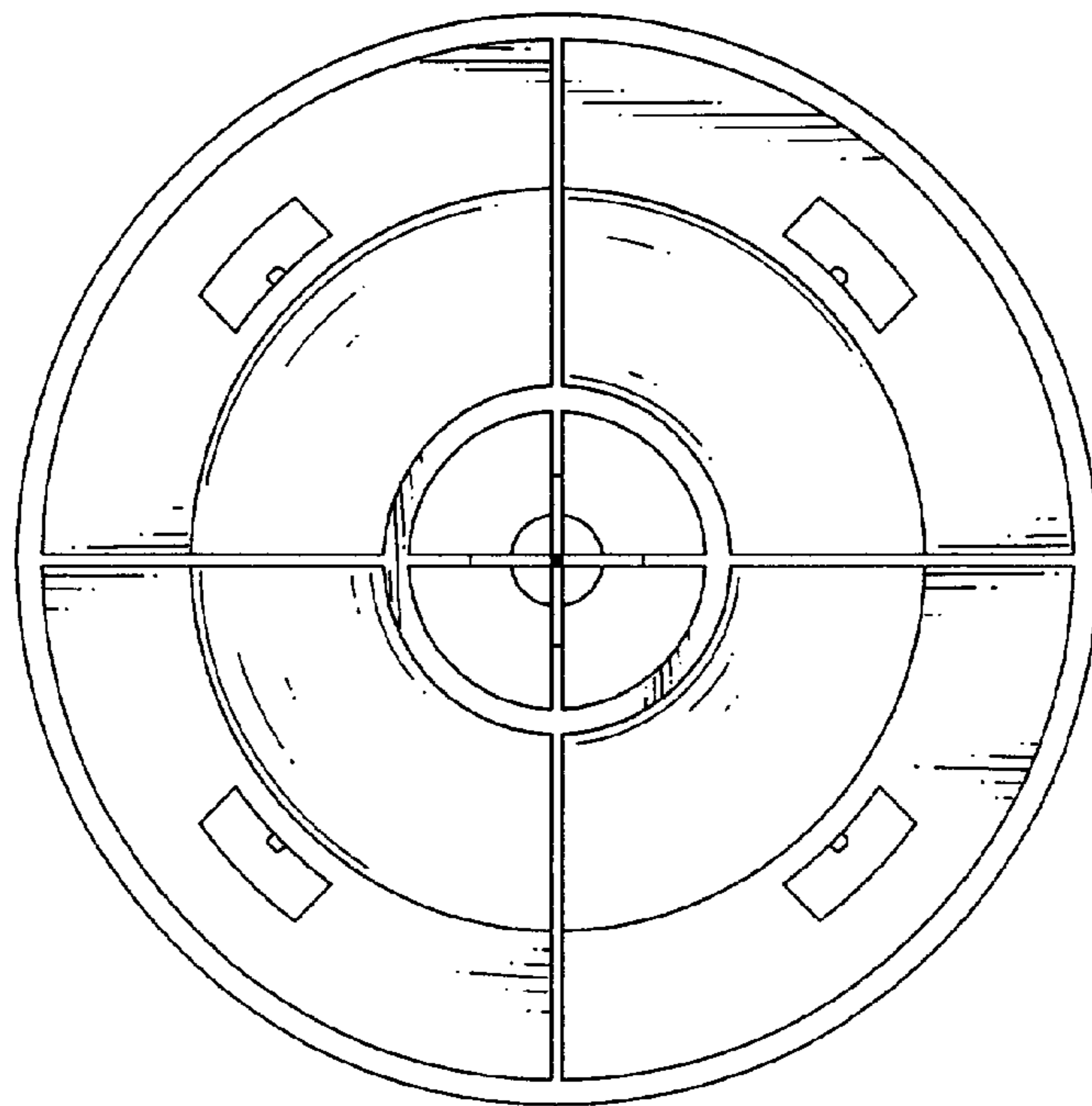


FIG. 7

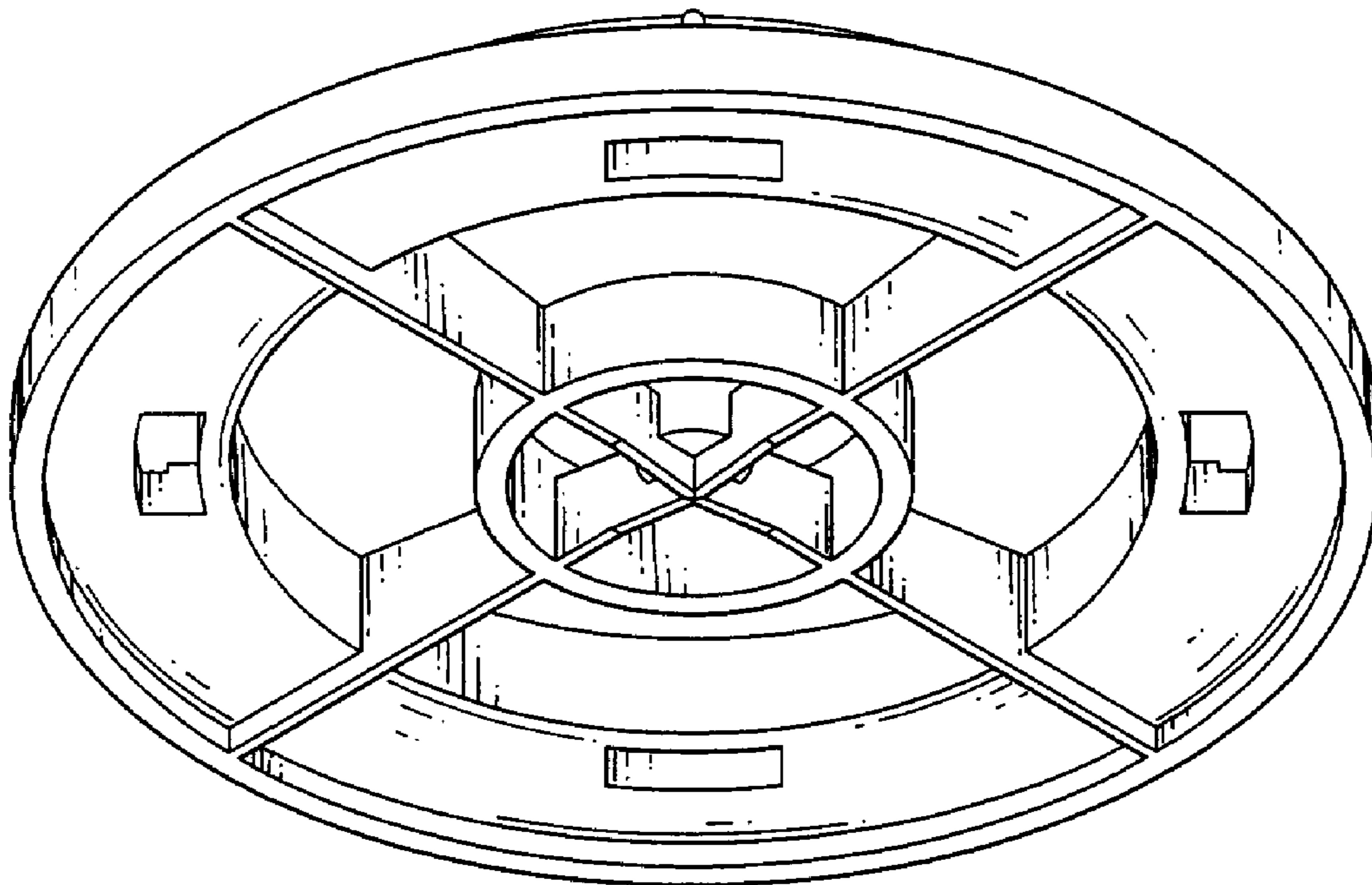


FIG. 8

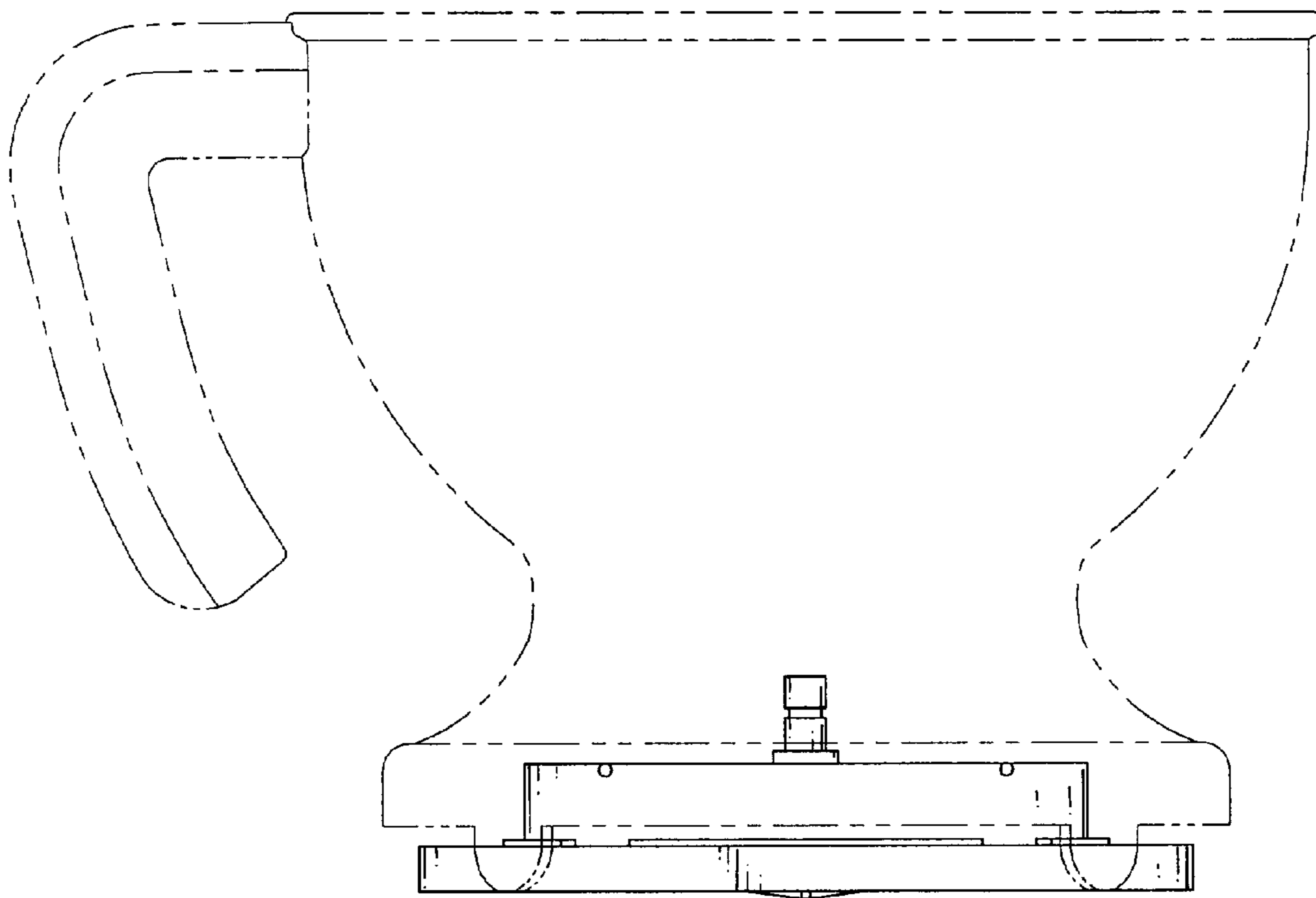


FIG. 9