



US00D569675S

(12) **United States Design Patent**
Sumser et al.

(10) **Patent No.:** **US D569,675 S**

(45) **Date of Patent:** **** May 27, 2008**

(54) **TOASTER OVEN**

(75) Inventors: **Daniel Sumser**, Lake Worth, FL (US);
Giovanni Pino, Delray Beach, FL (US);
Brooks Rorke, Guilford, CT (US)

(73) Assignee: **SunBeam Products, Inc.**, Boca Raton,
FL (US)

(**) Term: **14 Years**

(21) Appl. No.: **29/298,981**

(22) Filed: **Dec. 17, 2007**

(51) **LOC (8) Cl.** **07-02**

(52) **U.S. Cl.** **D7/350.4; D7/328**

(58) **Field of Classification Search** D7/323,
D7/328-333, 340-342, 346-348, 350.1-350.4,
D7/351, 385-390, 402-407, 411; 99/391;
126/19 M, 273 E; 219/414, 739-740, 756-758;
338/28

See application file for complete search history.

(56) **References Cited**

U.S. PATENT DOCUMENTS

D226,404 S *	2/1973	Hauenstein	D7/328
3,859,903 A *	1/1975	Kipp	99/391
D245,470 S *	8/1977	Ernest	D7/350.4
4,135,179 A *	1/1979	Snyder	338/28
D253,271 S *	10/1979	Rakocy	D7/350.4
D296,858 S *	7/1988	Ooki	D7/350.4
D305,595 S *	1/1990	Yoo	D7/351

D309,078 S *	7/1990	Kokubo	D7/351
D336,814 S *	6/1993	Brookshire	D7/350.4
D386,938 S *	12/1997	Piret	D7/350.4
D412,637 S *	8/1999	Piret	D7/350.4
6,080,967 A *	6/2000	Sandor et al.	219/414
D446,418 S *	8/2001	Cruz	D7/350.4

* cited by examiner

Primary Examiner—Caron D. Veynar

Assistant Examiner—Ricky Pham

(74) *Attorney, Agent, or Firm*—Seth Blum

(57) **CLAIM**

The ornamental design for a toaster oven, as shown and described.

DESCRIPTION

FIG. 1 is a right top front perspective view of the toaster oven;

FIG. 2 is a left side elevation view thereof;

FIG. 3 is a front elevation view thereof;

FIG. 4 is a right side elevation view thereof;

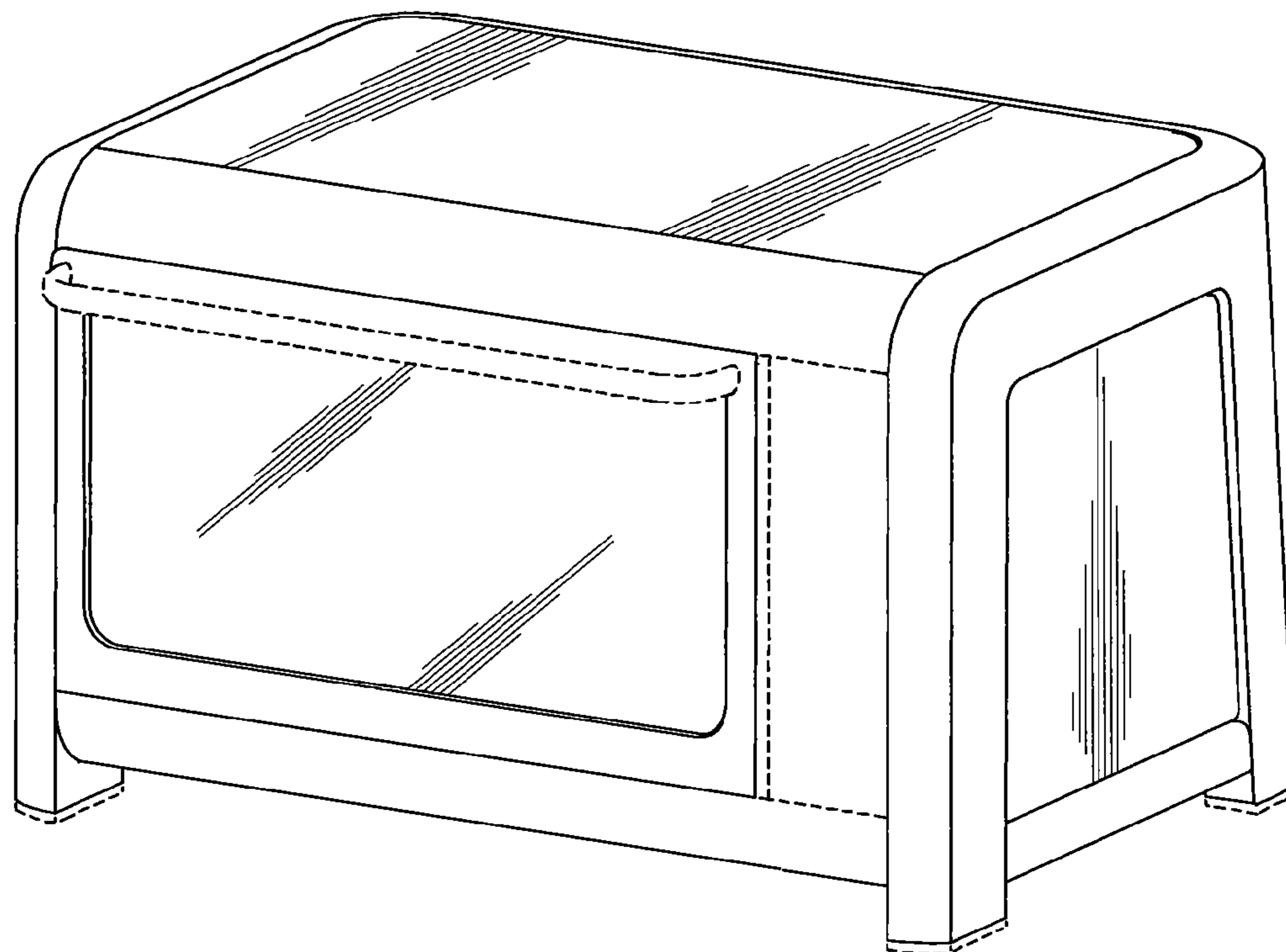
FIG. 5 is a rear elevation view thereof;

FIG. 6 is a top plan view thereof; and,

FIG. 7 is a bottom plan view thereof.

The broken lines in the drawings are for illustrative purposes only and form no part of the claimed design.

1 Claim, 7 Drawing Sheets



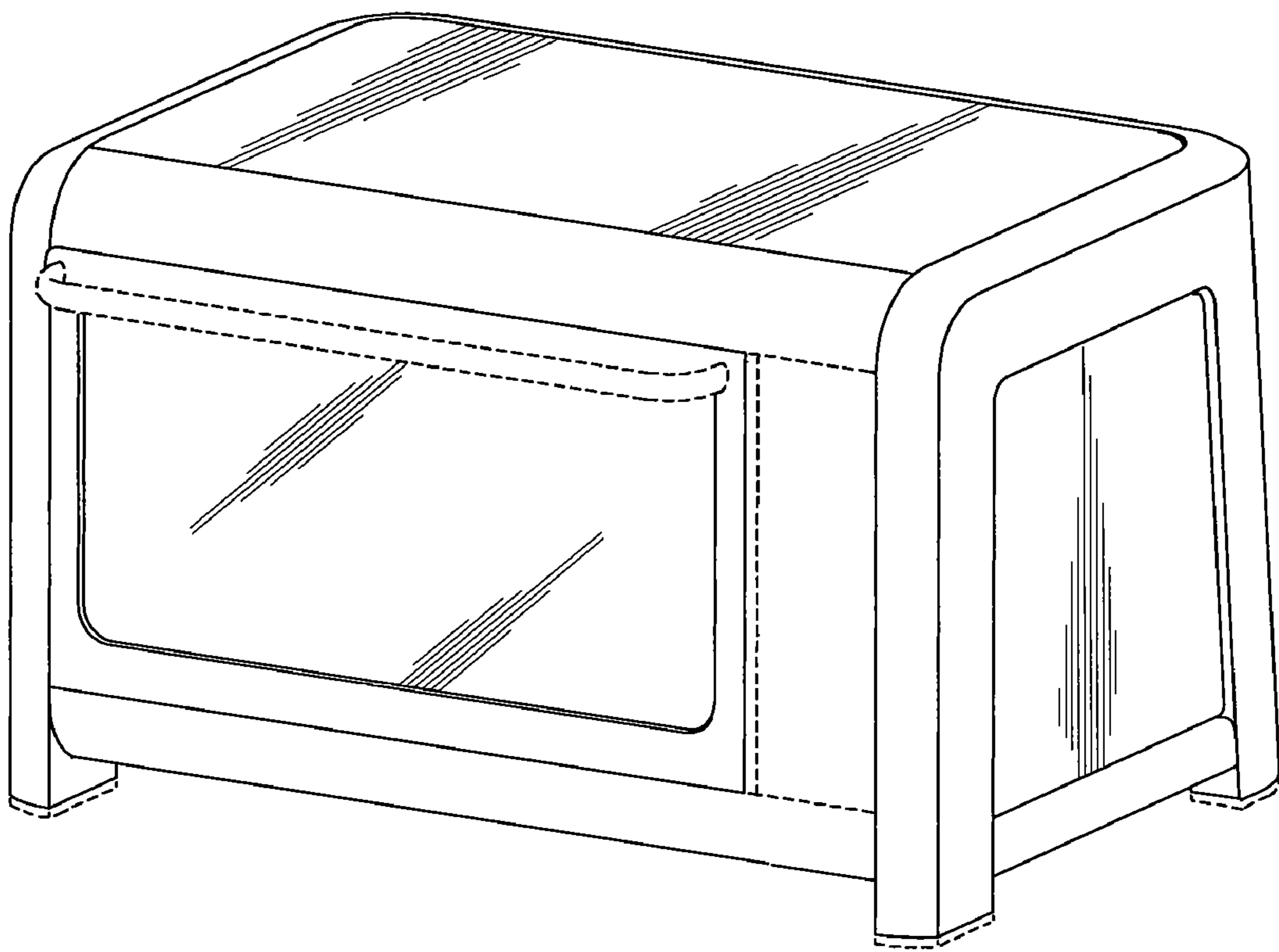


FIG 1

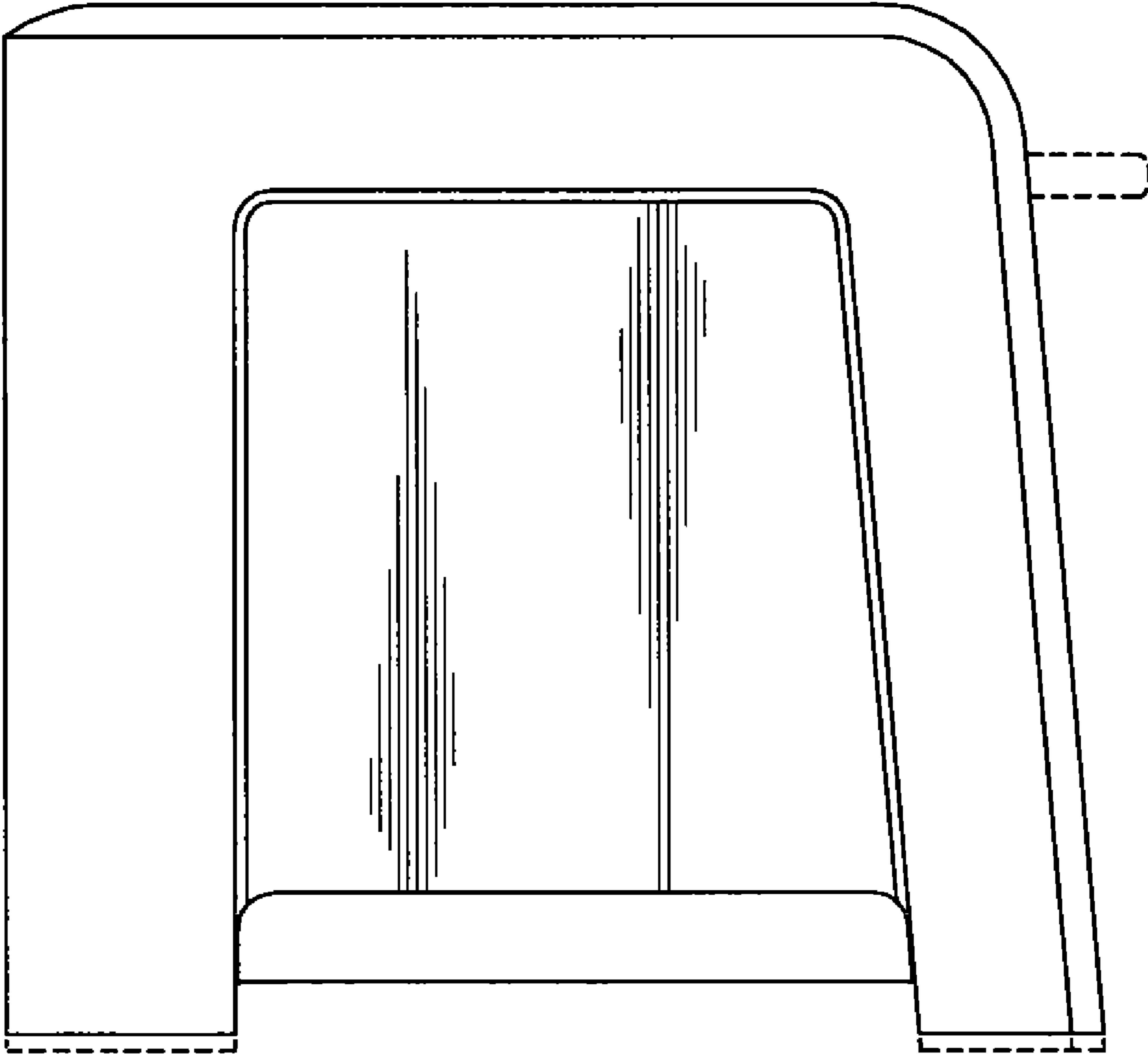


FIG 2

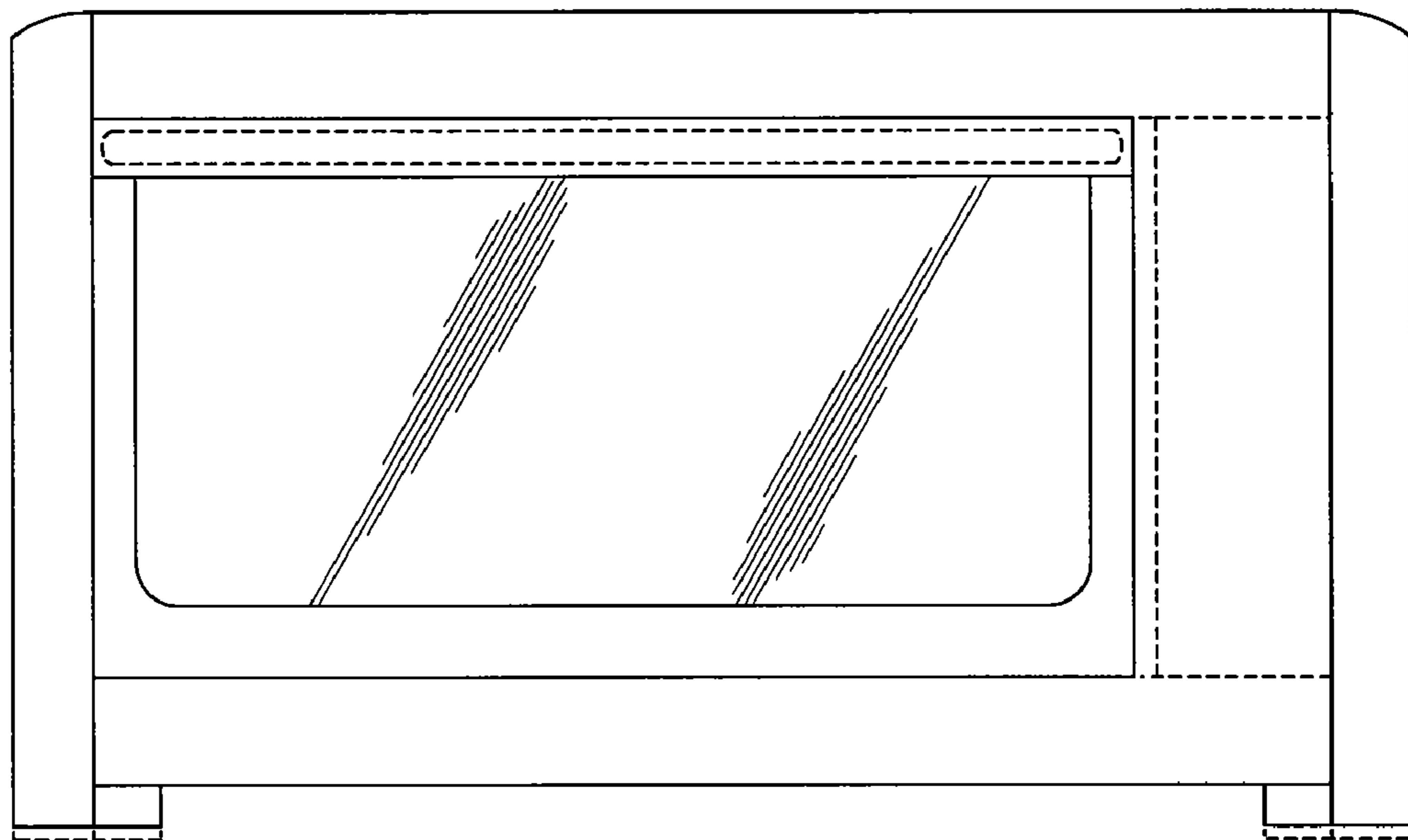


FIG 3

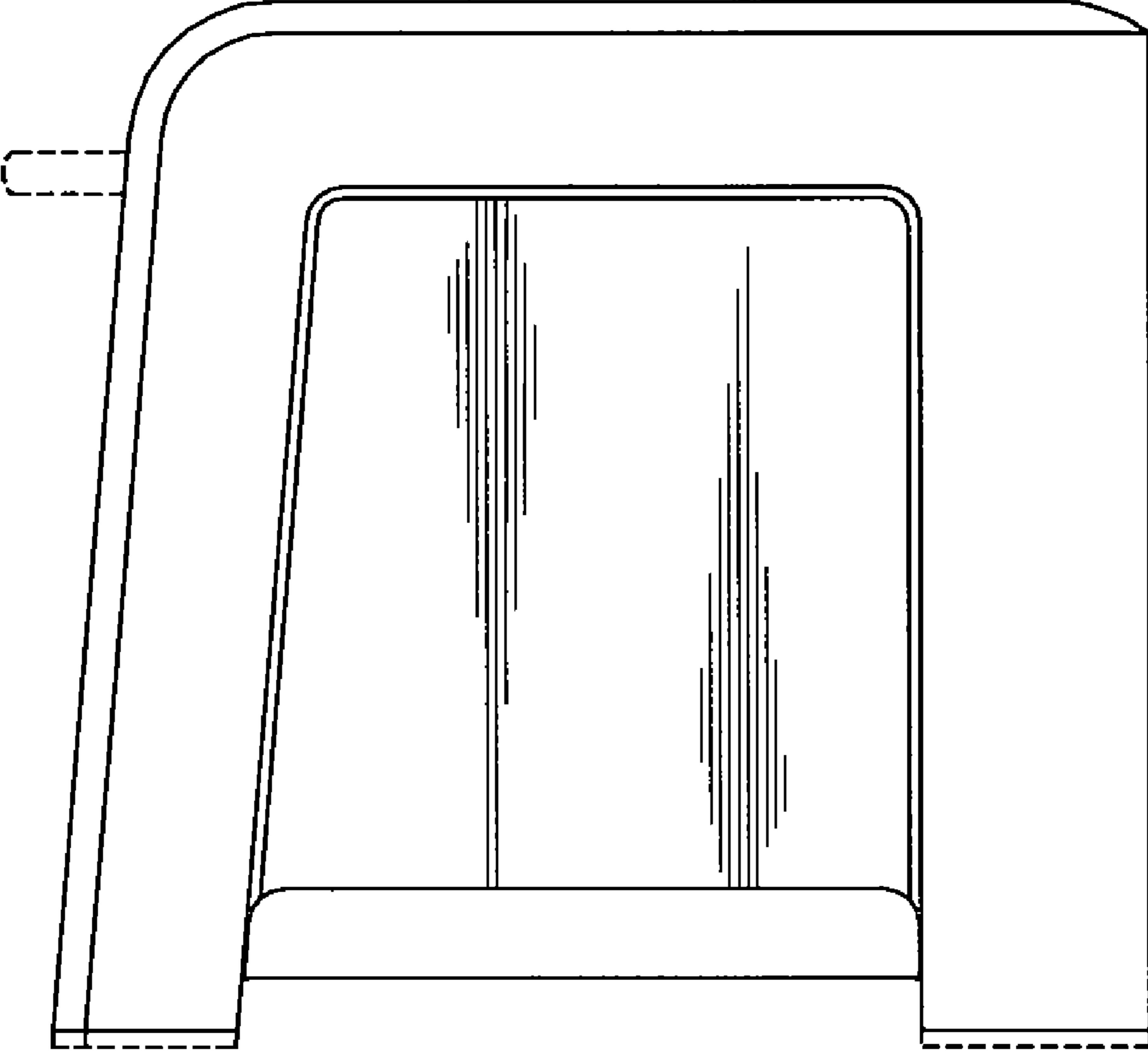


FIG 4

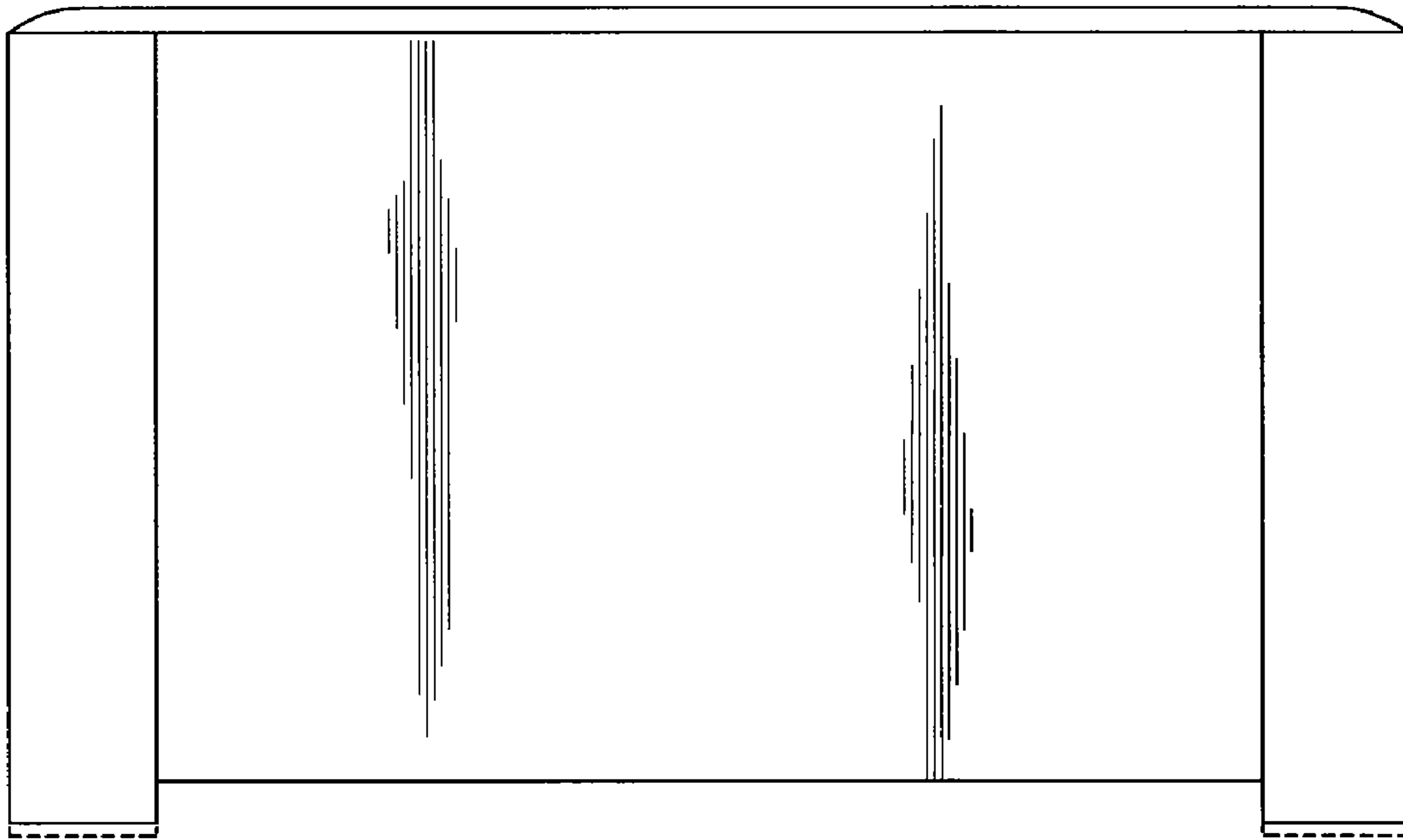


FIG 5

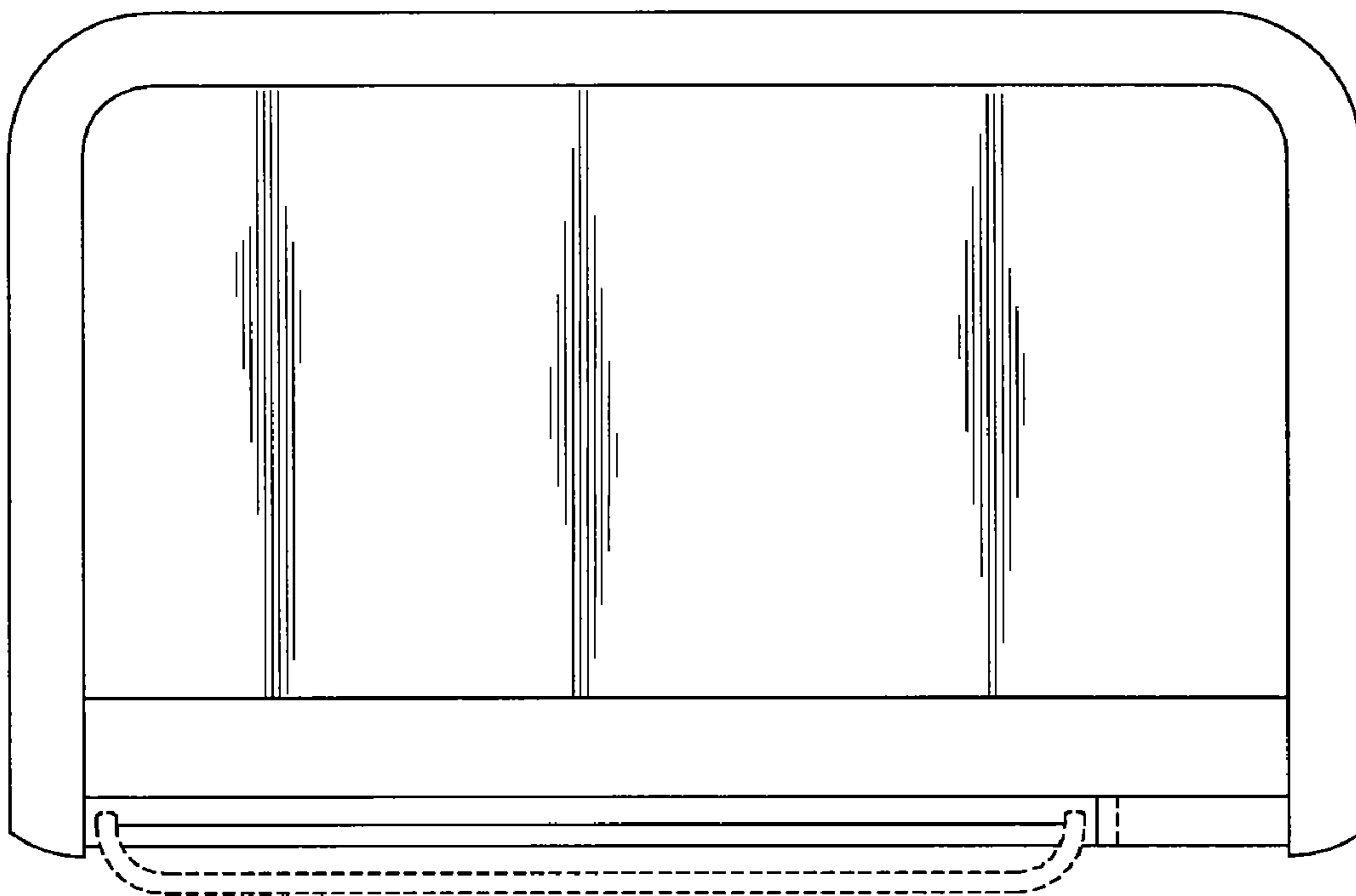


FIG 6

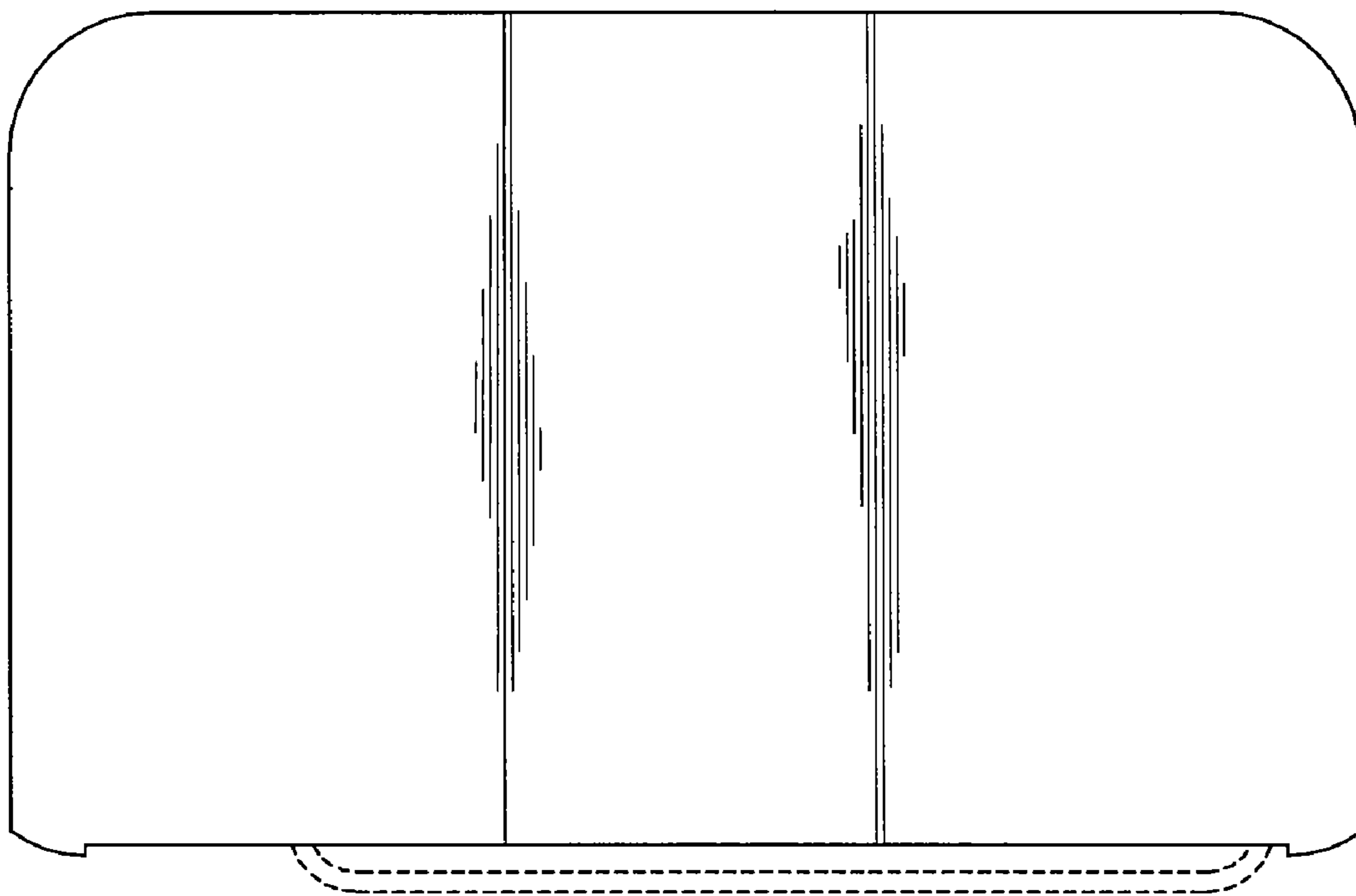


FIG 7