



US00D569673S

(12) **United States Design Patent**
Gostt et al.

(10) **Patent No.:** **US D569,673 S**

(45) **Date of Patent:** **** May 27, 2008**

(54) **COMBINED TOWEL AND CONTAINER FOR CAMPING PURPOSES**

(76) Inventors: **Nicholas James Gostt**, Unit 3/44 Campbell Street, Woonona, New South Wales (AU) 2517; **Anthea Leigh Gostt**, Unit 3/44 Campbell Street, Woonona, New South Wales (AU) 2517

(**) Term: **14 Years**

(21) Appl. No.: **29/257,950**

(22) Filed: **Apr. 14, 2006**

(30) **Foreign Application Priority Data**

Oct. 19, 2005 (AU) 14601/05
Oct. 19, 2005 (AU) 14602/05

(51) **LOC (8) Cl.** **06-13**

(52) **U.S. Cl.** **D6/608; D6/595**

(58) **Field of Classification Search** D6/582, D6/595, 596, 602, 603, 606, 608, 609; 5/102, 5/122, 123, 416 AM, 413 R, 417-420, 485, 5/489, 490, 495, 496, 502, 630, 652, 653; D3/201, 215, 274, 303; 428/68, 81, 35.5; 224/575-577; 2/69.5, 410; D29/575-577
See application file for complete search history.

(56) **References Cited**

U.S. PATENT DOCUMENTS

666,034 A * 1/1901 Solomon 2/69.5
1,637,088 A * 7/1927 Padolsky 2/69.5
1,677,743 A * 7/1928 Berton 5/653
3,633,227 A * 1/1972 Tegeler 5/413 R
4,542,050 A * 9/1985 Gallant 428/35.5
4,634,618 A * 1/1987 Greer et al. 428/81
D317,841 S * 7/1991 Mendyk D6/602
5,414,881 A * 5/1995 Terrazas 5/417
5,481,768 A * 1/1996 Shink 5/482
D388,553 S * 12/1997 Sapin D29/119
5,785,219 A * 7/1998 Kraft 224/576
6,393,638 B1 * 5/2002 MacColl 5/419

D463,629 S * 9/2002 Black D29/118

* cited by examiner

Primary Examiner—Robert M. Spear

Assistant Examiner—Mary Ann Calabrese

(74) *Attorney, Agent, or Firm*—Brooks Kushman P.C.

(57) **CLAIM**

The ornamental design for a combined towel and container for camping purposes, as shown and described.

DESCRIPTION

FIG. 1 is top perspective view of the combined towel and container for camping purposes showing my new design;

FIG. 2. is bottom perspective view of the design of FIG. 1, showing the open pocket of the container portion;

FIG. 3 is an exploded bottom perspective view of the design of FIG. 1, showing the container detached from the towel;

FIG. 4 is bottom side perspective view of the design of the design FIG. 1, shown in an alternate filled and closed configuration with the pocket closed;

FIG. 5 is bottom side perspective view of the design of FIG. 1, shown in a second alternate filled and closed configuration with the pocket open;

FIG. 6 is a bottom perspective view of the design of FIG. 1, shown in a third alternate position with the container removed from the towel and the skirt closed and held behind the pocket;

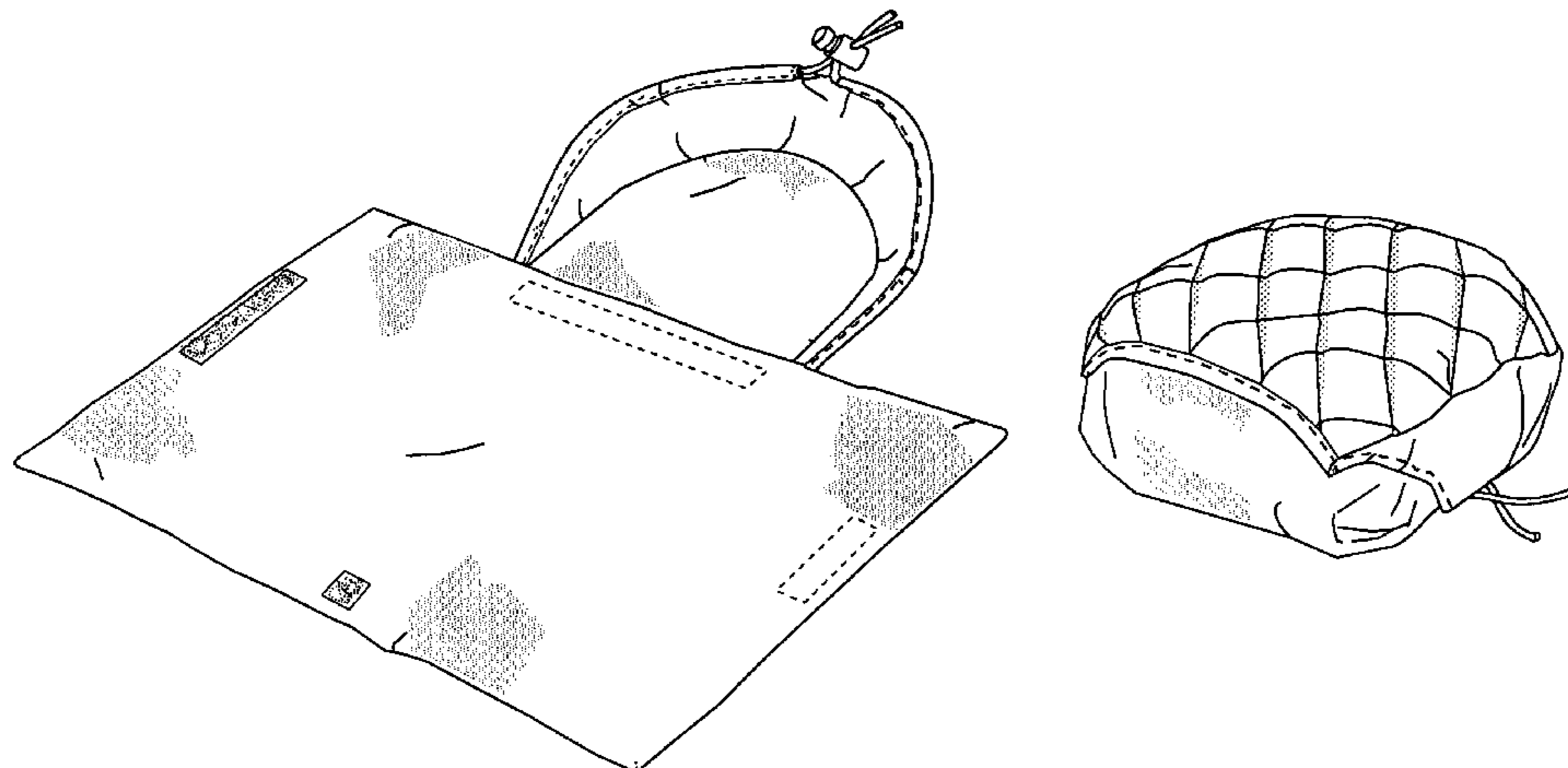
FIG. 7 is top perspective view of the design of FIG. 1, shown in a fourth alternate position with the container removed from the towel and the skirt closed and held by the cord and toggle; and,

FIG. 8 is top perspective view of the design of FIG. 1 shown in a fifth alternate position with the towel stuffed into and held into the closed skirt.

In the drawings the broken lined represent stitching forming part of the claimed design.

The shading throughout the views are understood to be applied uniformly to the surfaces.

1 Claim, 3 Drawing Sheets



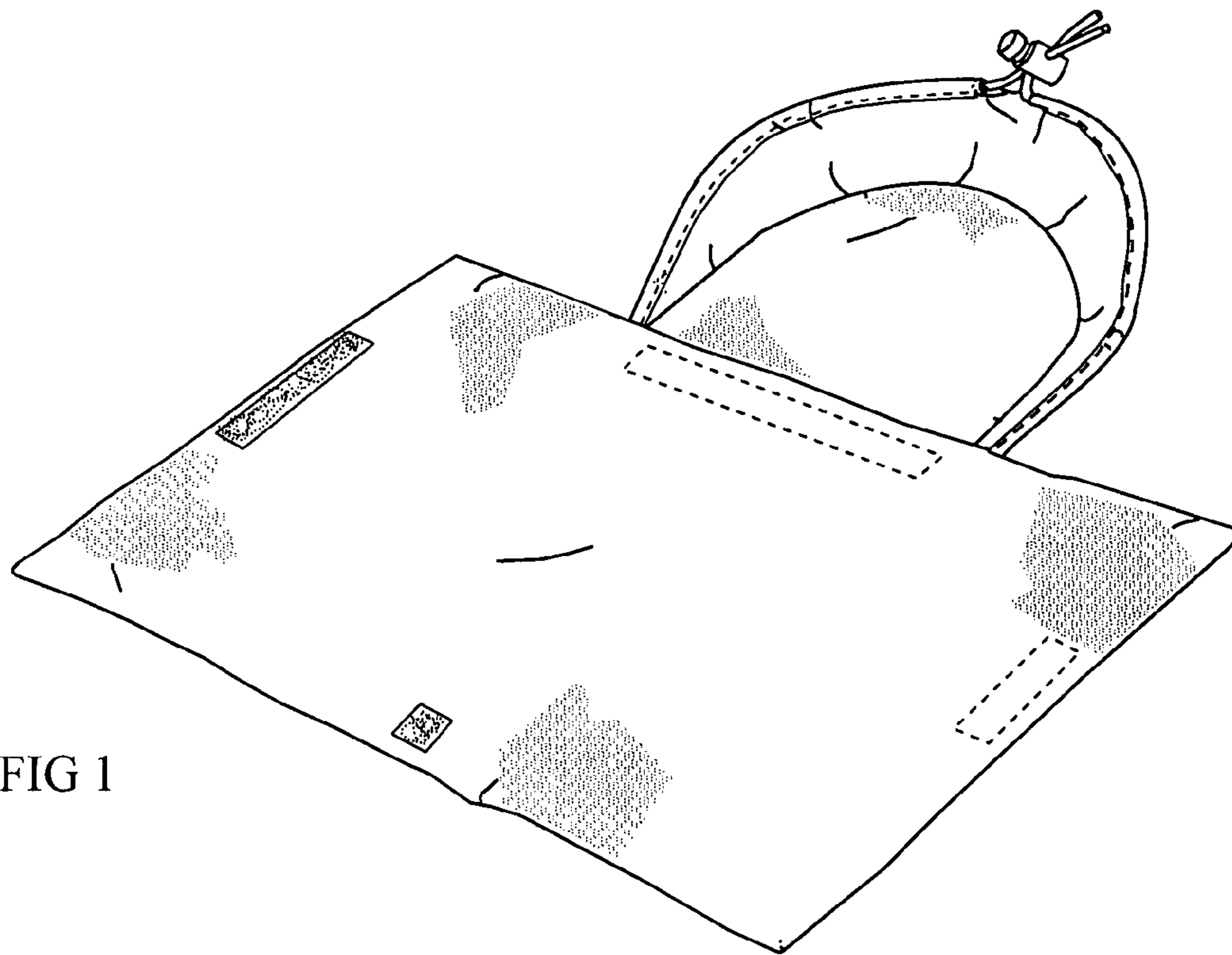


FIG 1

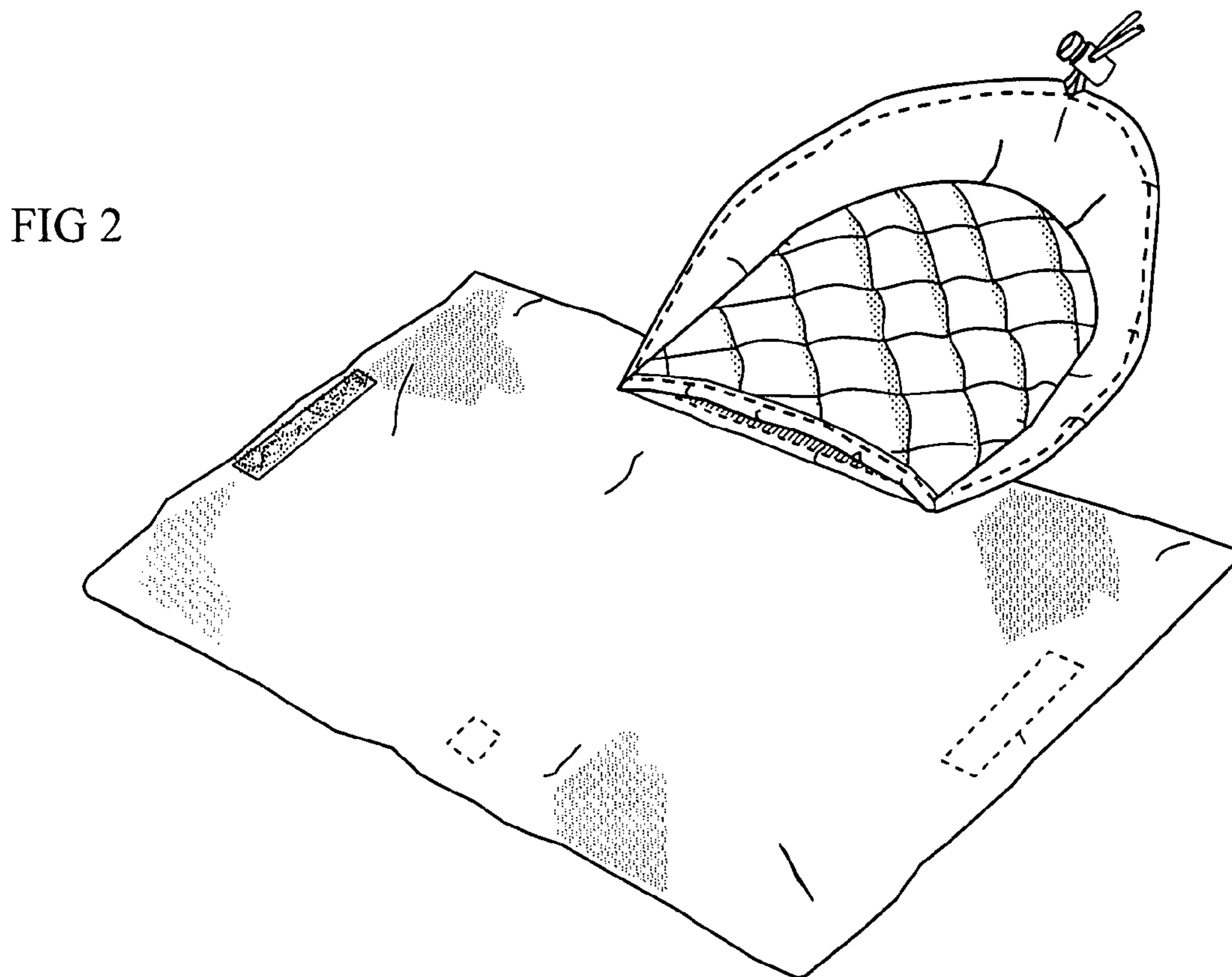


FIG 2

FIG 3

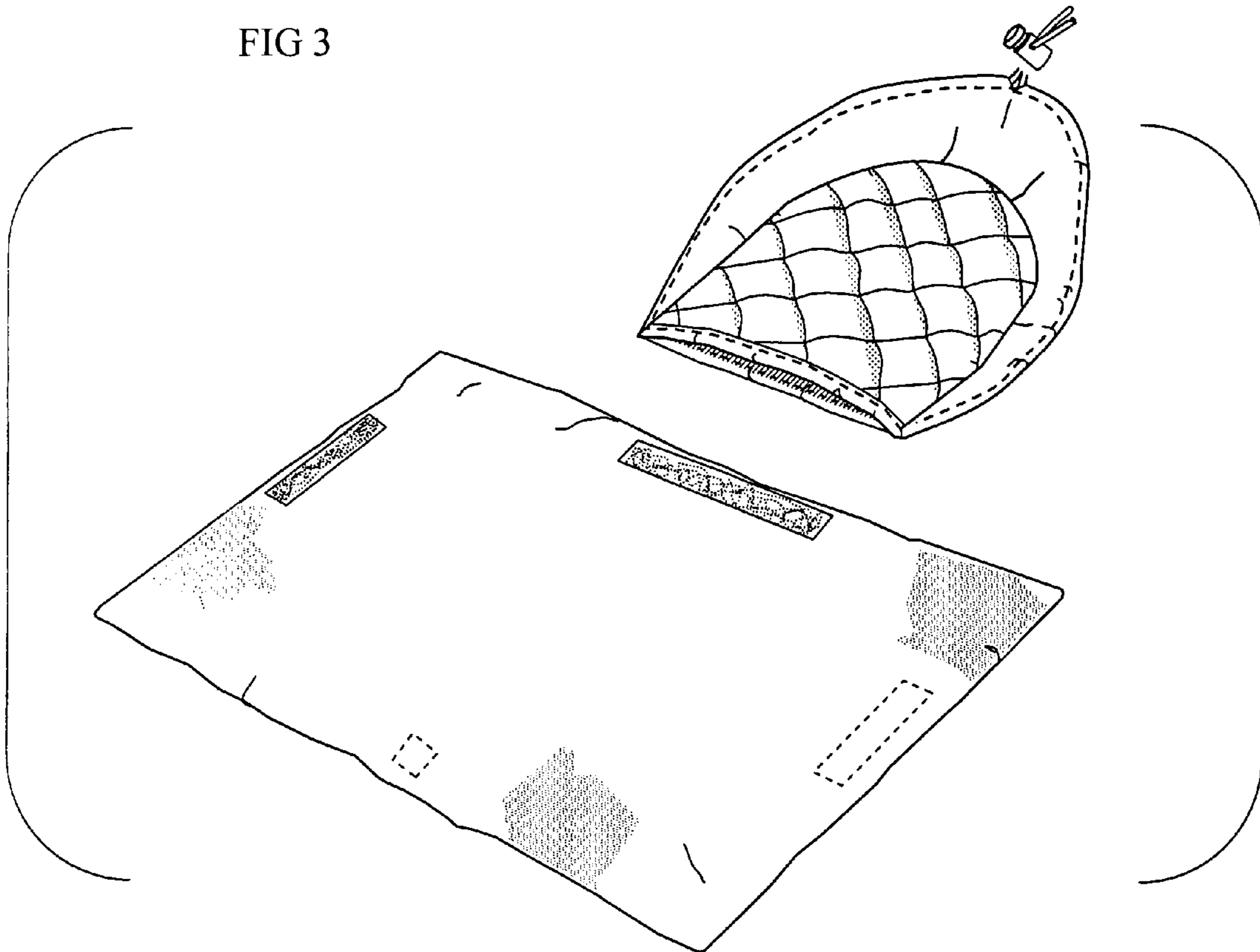


FIG 4

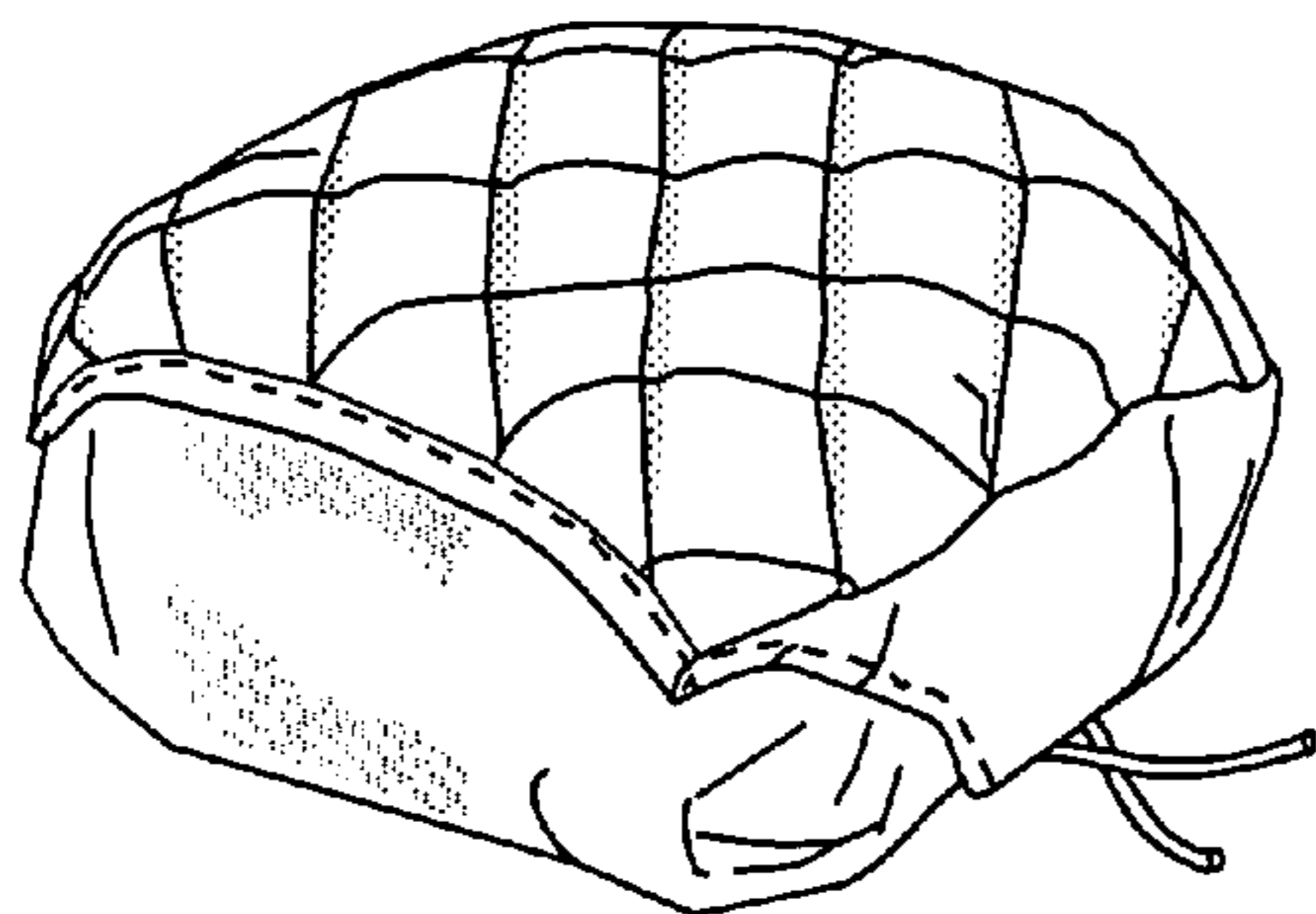


FIG 5

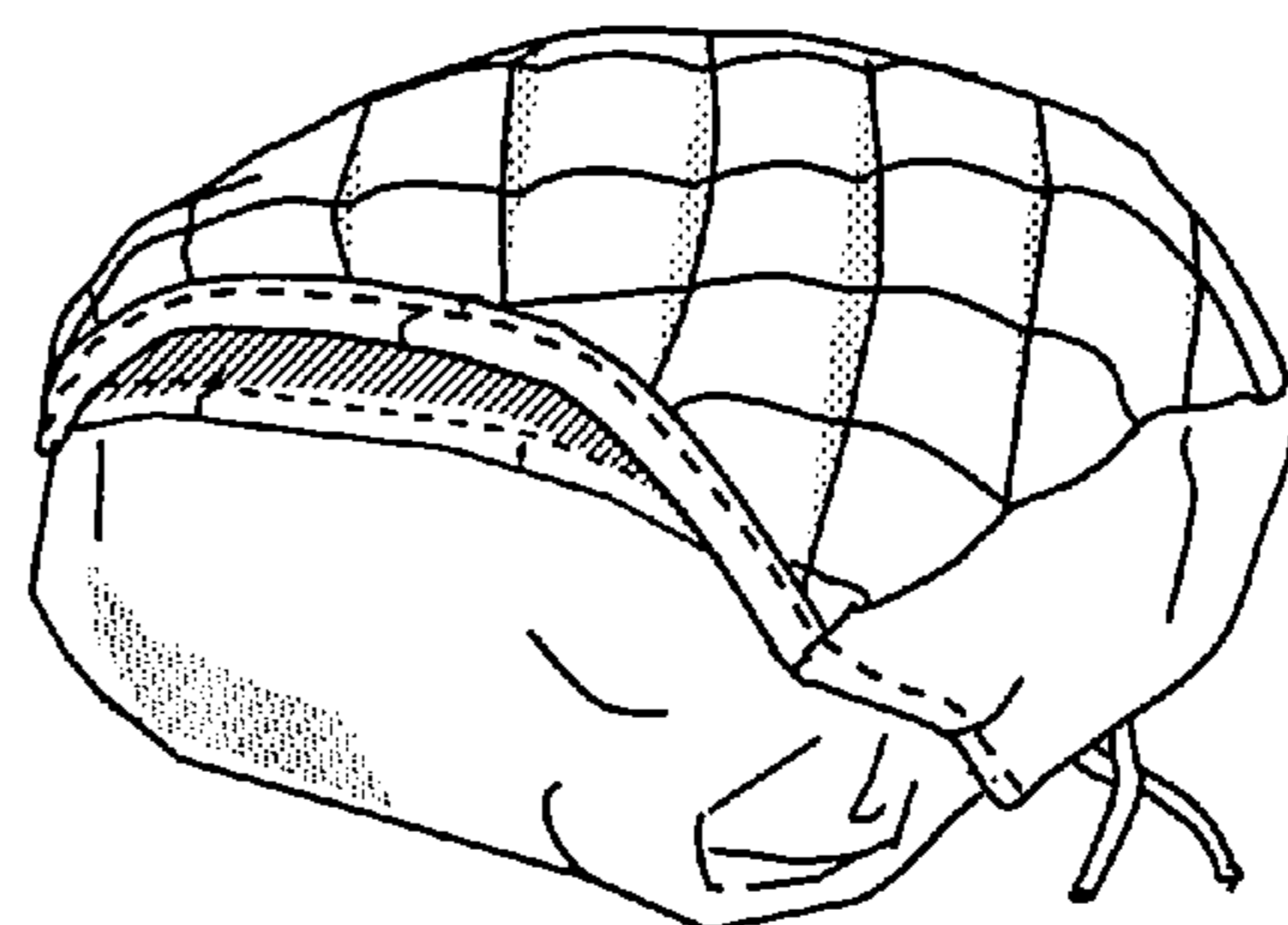


FIG 6

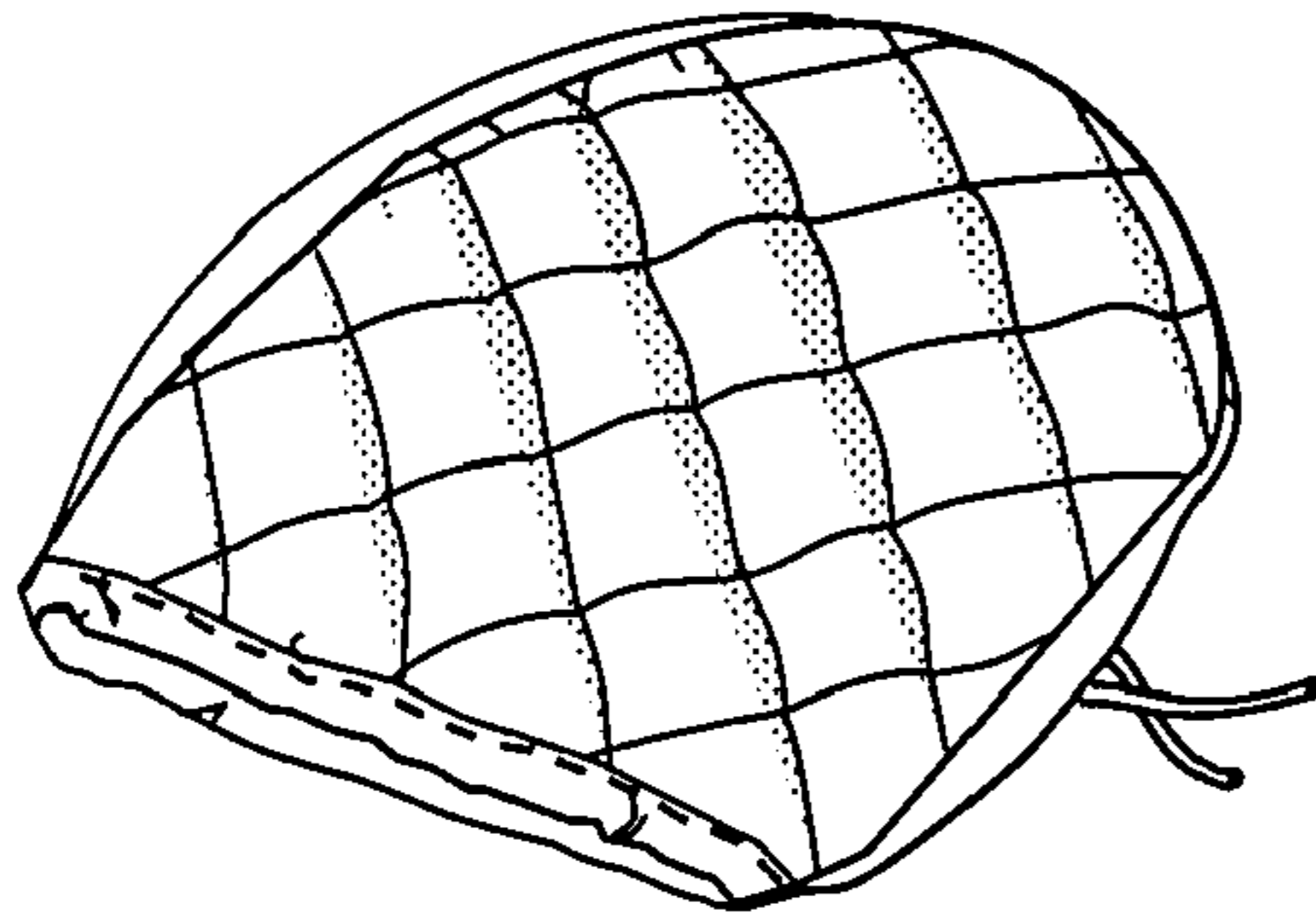


FIG 7

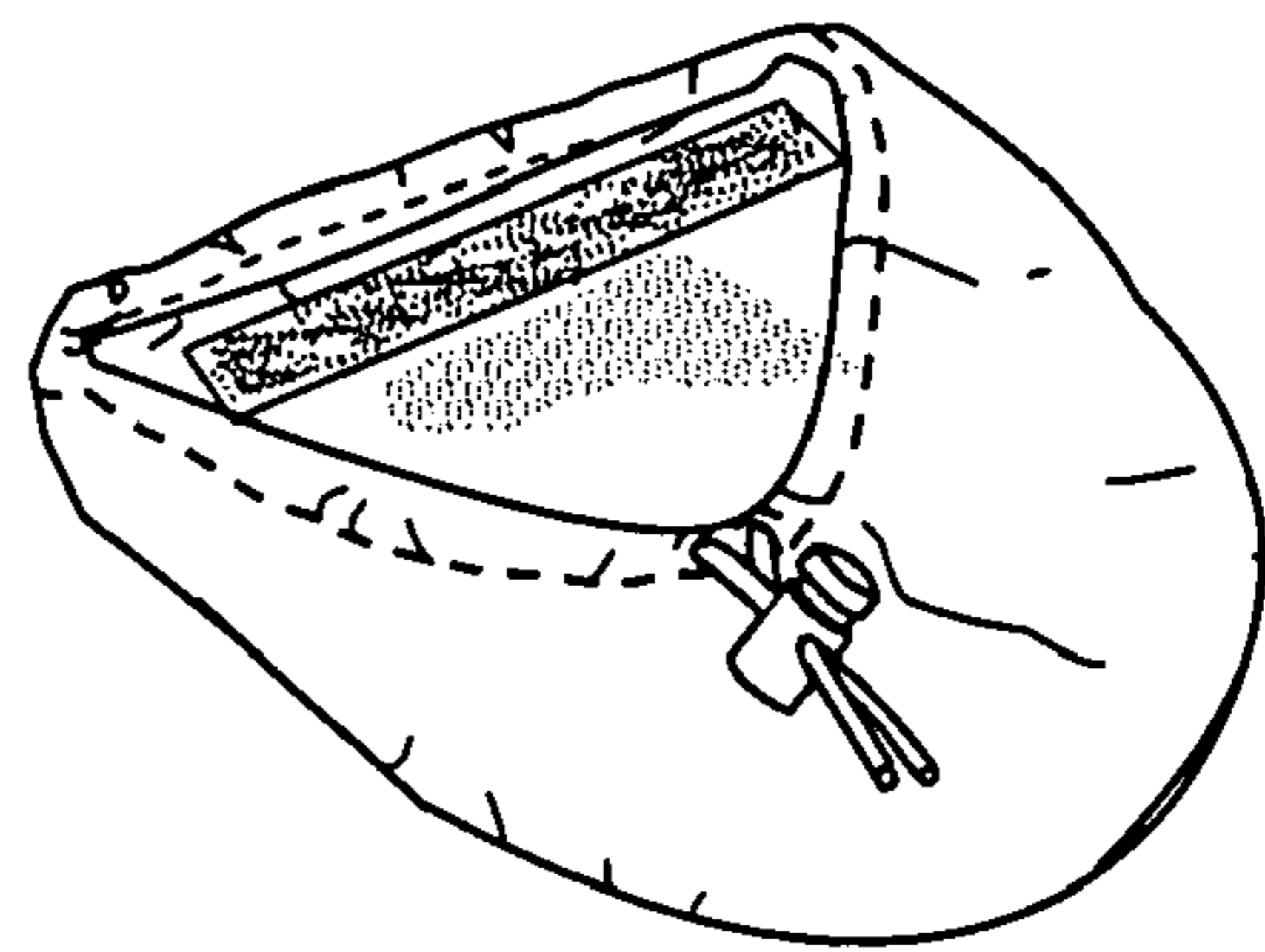


FIG 8

