



US00D569671S

(12) **United States Design Patent**  
**Thompson et al.**

(10) **Patent No.:** **US D569,671 S**

(45) **Date of Patent:** **\*\* May 27, 2008**

(54) **WALL MOUNTABLE WIRE MIRROR ASSEMBLY**

(75) Inventors: **Craig Thompson**, Inver Grove Heights, MN (US); **Christopher J. Miller**, Milan (IT); **Peter J. Newbould**, Milan (IT)

(73) Assignee: **3M Innovative Properties Company**, St. Paul, MN (US)

(\*\*) Term: **14 Years**

(21) Appl. No.: **29/276,117**

(22) Filed: **Jan. 16, 2007**

(51) **LOC (8) Cl.** ..... **06-04**

(52) **U.S. Cl.** ..... **D6/568**

(58) **Field of Classification Search** ..... D6/524, D6/527, 532, 536-540; D7/502, 550, 554.2, D7/56; 206/77.1, 557, 587, 823; 211/13.1, 211/85.4, 85.12; D9/682, 690, 692, 566, D9/568

See application file for complete search history.

(56) **References Cited**

**U.S. PATENT DOCUMENTS**

D272,969 S \* 3/1984 Sussman ..... D6/568

D282,993 S \* 3/1986 Sanford ..... D6/568  
D455,273 S \* 4/2002 Harwanko ..... D6/568  
D491,731 S \* 6/2004 Harwanko ..... D6/568  
D532,636 S \* 11/2006 Thorsteinsson et al. .... D6/540  
D543,403 S \* 5/2007 Tau ..... D6/540

\* cited by examiner

*Primary Examiner*—Brian N Vinson

(74) *Attorney, Agent, or Firm*—David B. Patchett

(57) **CLAIM**

The ornamental design for a wall mountable wire mirror assembly, as shown and described.

**DESCRIPTION**

FIG. 1 is a perspective view showing the new design for a wall mountable wire mirror assembly;

FIG. 2 is a front view thereof;

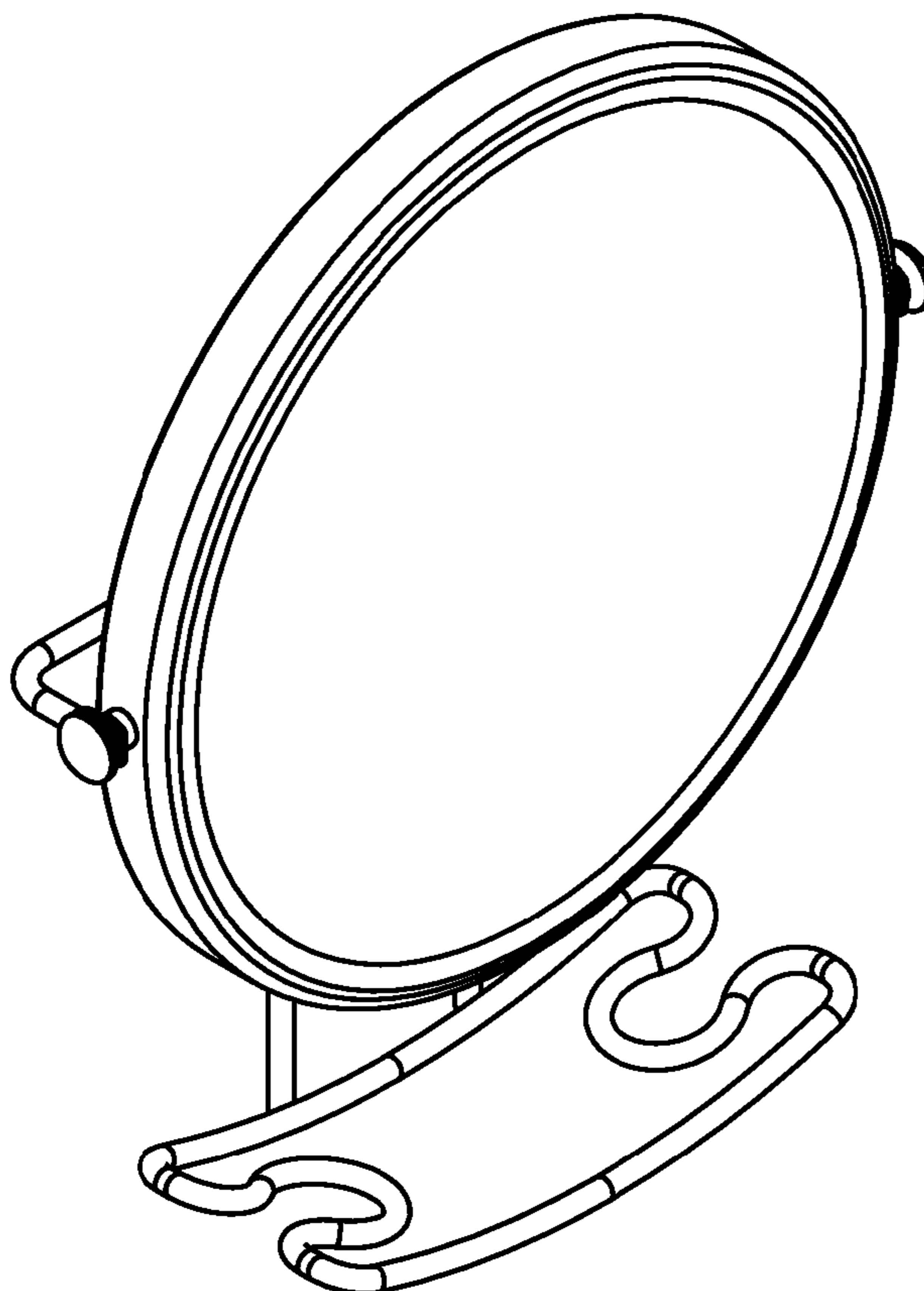
FIG. 3 is a rear view thereof;

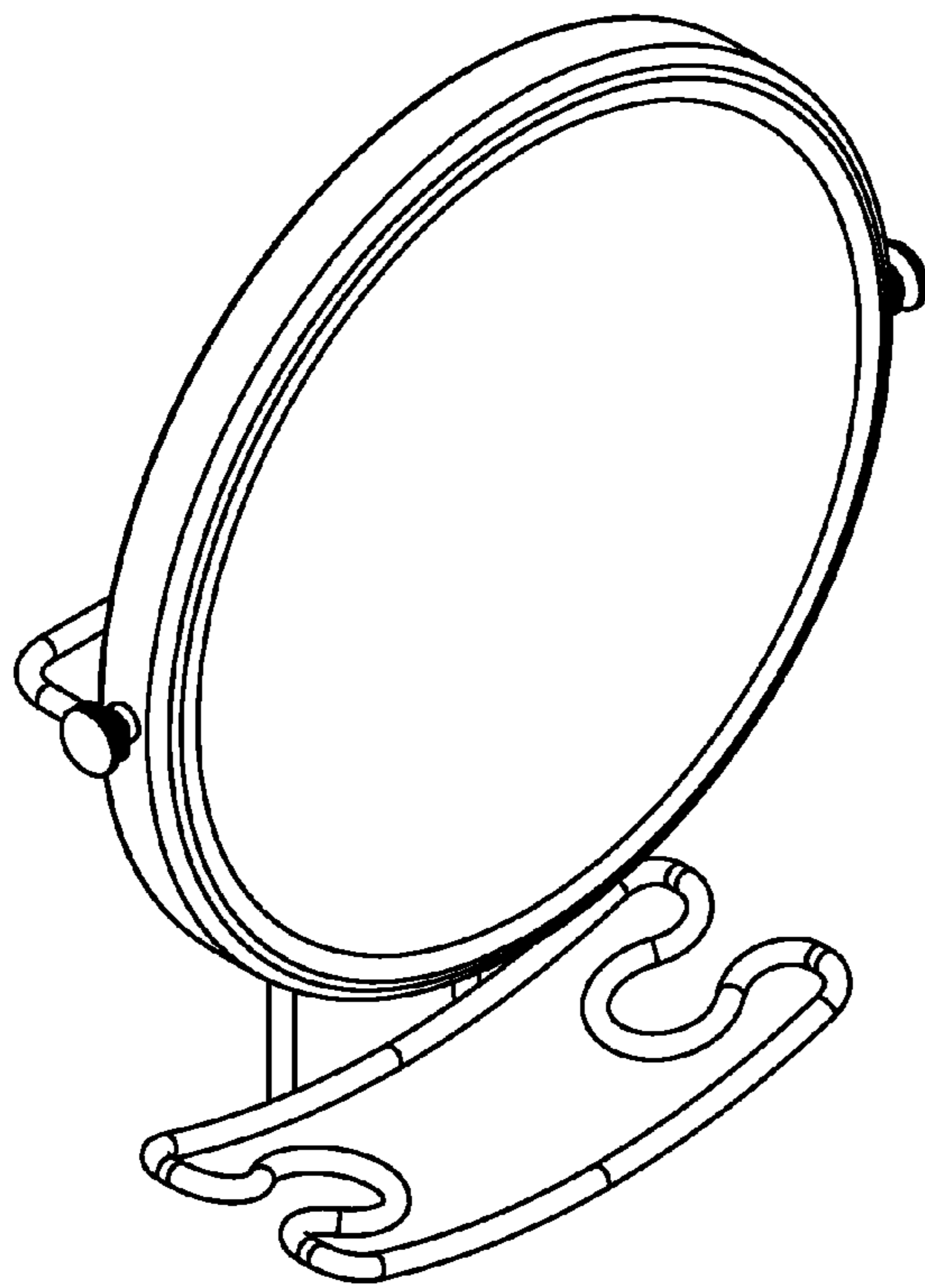
FIG. 4 is a top view thereof;

FIG. 5 is a bottom view thereof; and,

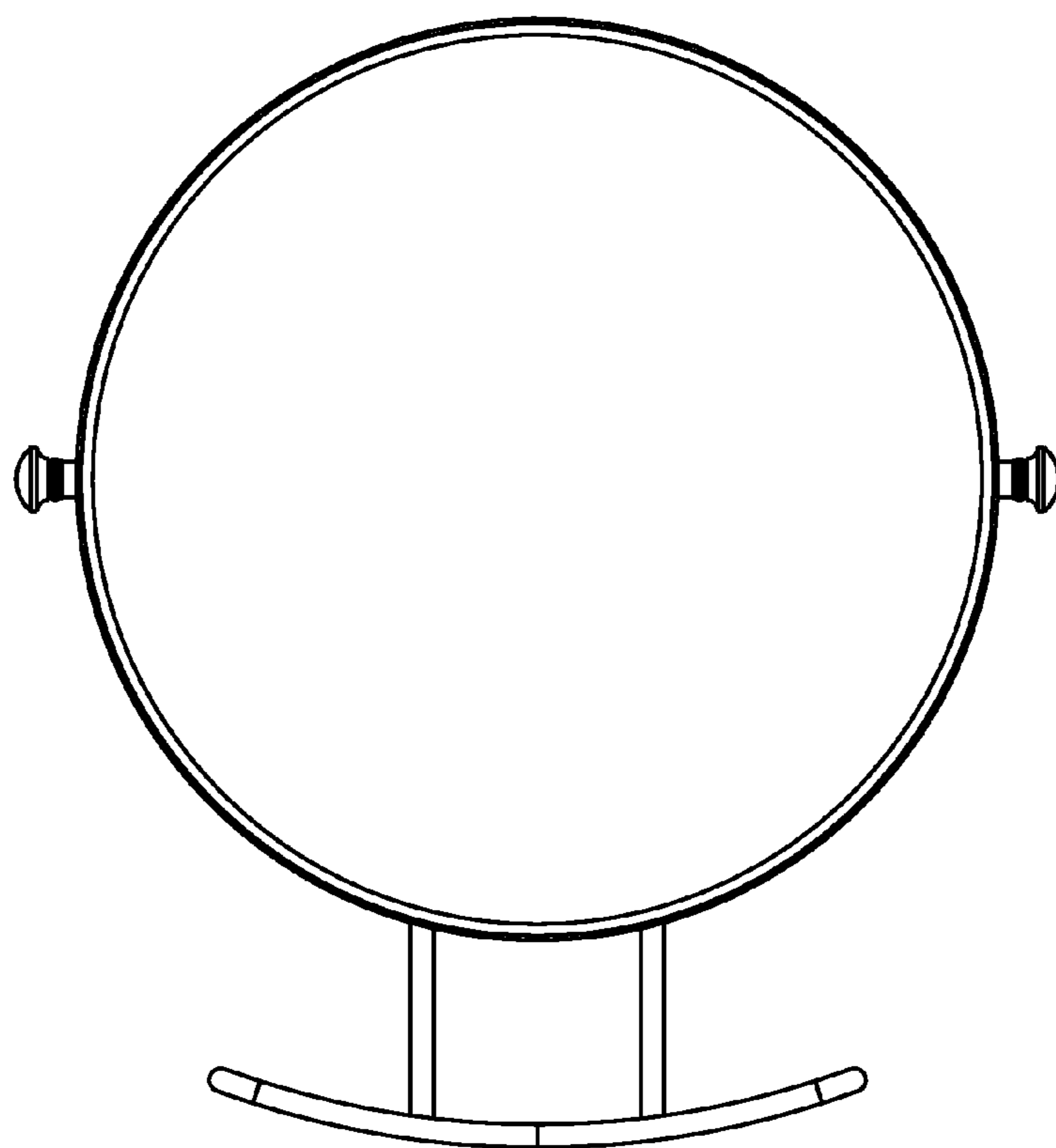
FIG. 6 is a side view thereof; the opposite side view thereof being a mirror image of the side view shown.

**1 Claim, 3 Drawing Sheets**

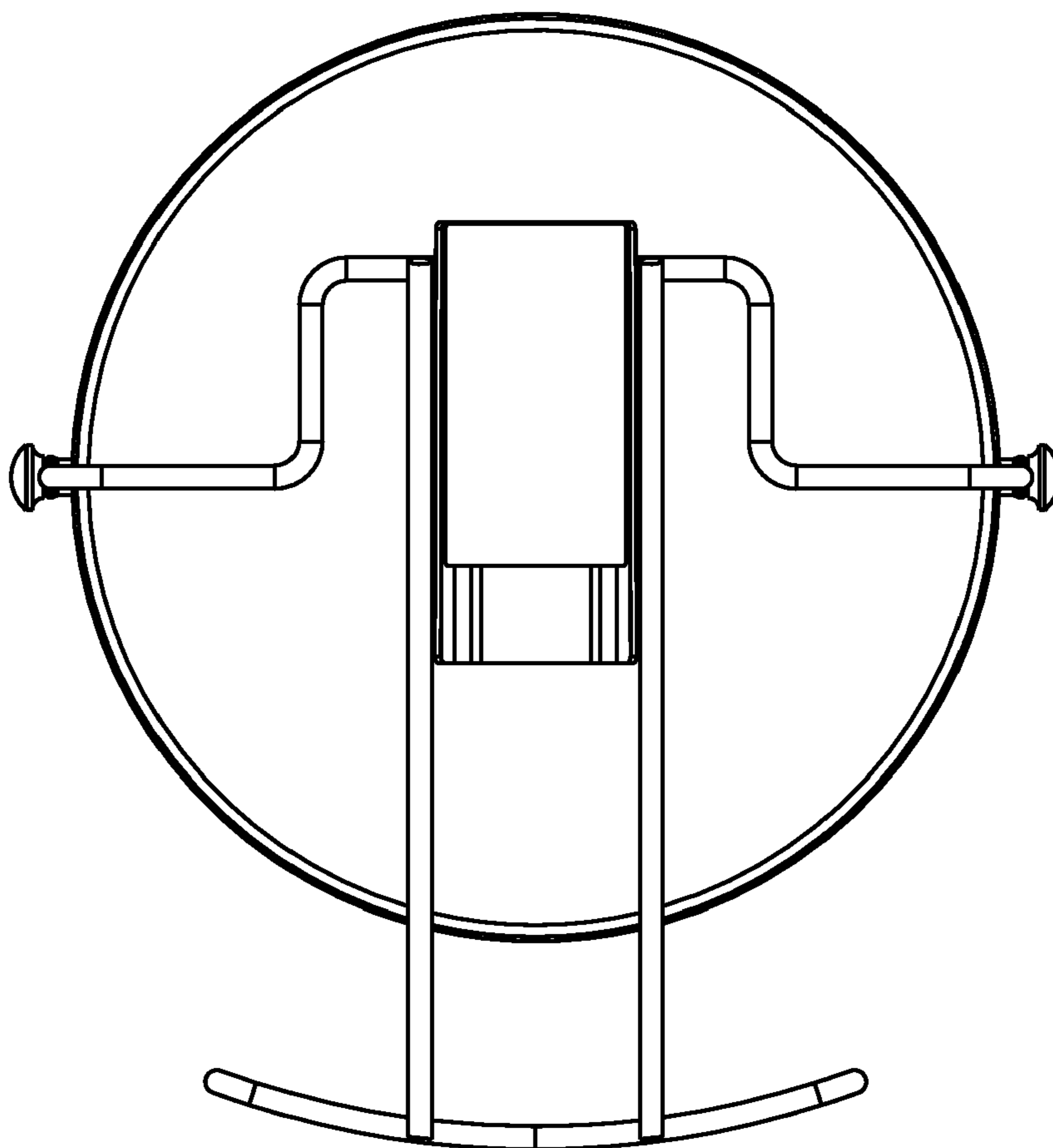




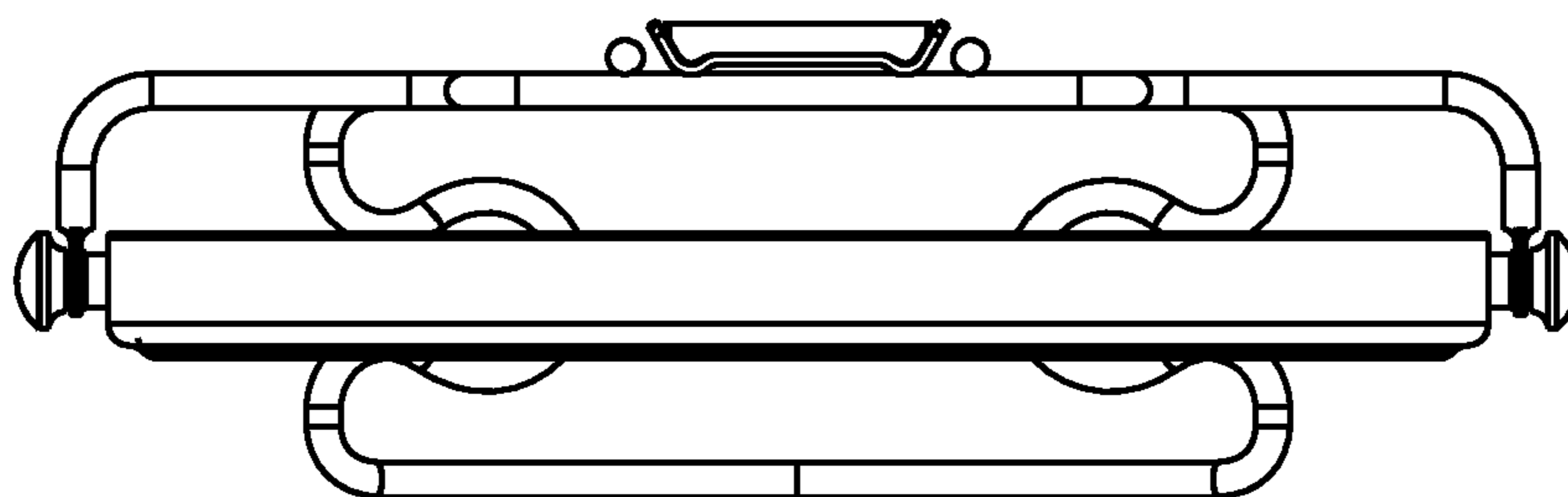
*Fig. 1*



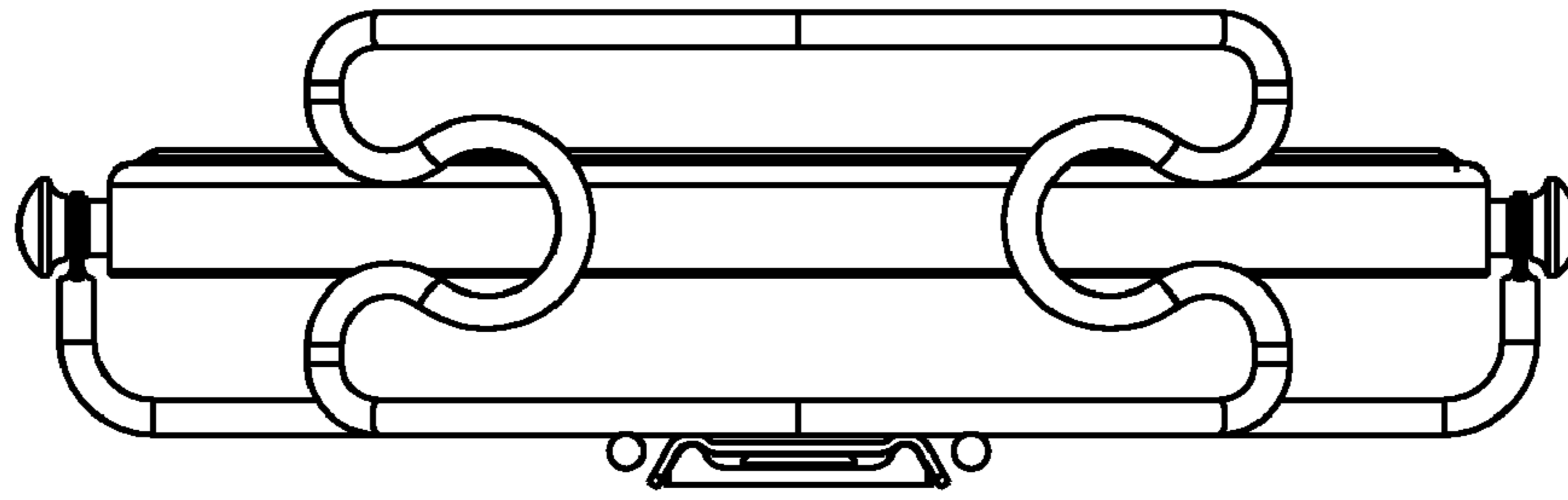
*Fig. 2*



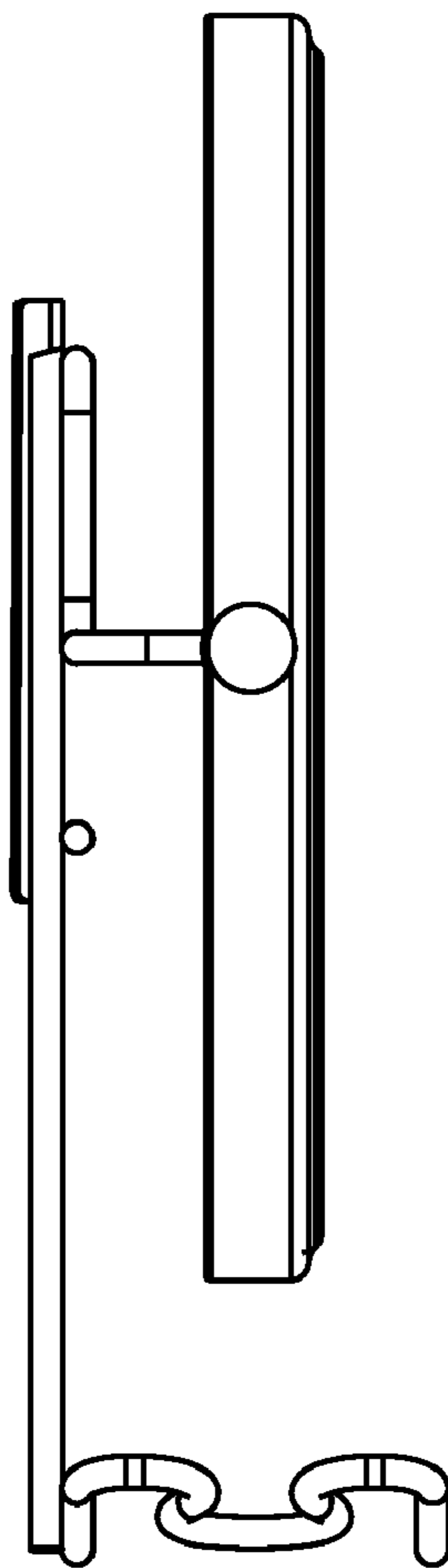
*Fig. 3*



*Fig. 4*



*Fig. 5*



*Fig. 6*