



US00D569670S

(12) **United States Design Patent**
Chen

(10) **Patent No.:** **US D569,670 S**

(45) **Date of Patent:** **** May 27, 2008**

(54) **SUPPORT POST FOR A TOWEL RACK**

D412,420 S * 8/1999 Harris D6/524
D504,263 S * 4/2005 Kennard D6/550

(75) Inventor: **Lien-Fu Chen**, Changhua (TW)

* cited by examiner

(73) Assignee: **Lih Chern Metallic Enterprise Co., Ltd**, Changhua Hsien (TW)

Primary Examiner—Brian N Vinson
(74) *Attorney, Agent, or Firm*—Banger Shia

(**) Term: **14 Years**

(57) **CLAIM**

(21) Appl. No.: **29/250,917**

The ornamental design for a support post for a towel rack, as shown and described.

(22) Filed: **Dec. 5, 2006**

(51) **LOC (8) Cl.** **06-04**

(52) **U.S. Cl.** **D6/550**

(58) **Field of Classification Search** D6/546–550,
D6/518–523; D8/300, 303, 315–321, 349,
D8/354, 363, 373, 380; 108/28–29; 211/13.1,
211/16, 60.1, 100, 86.01, 87.01, 88.01, 88.04,
211/105.1–105.2, 123, 182, 181.1; 248/175,
248/176.1, 251, 302, 309.1; 16/110.1, 412,
16/415; 242/570, 590, 595–598

See application file for complete search history.

DESCRIPTION

FIG. 1 is a perspective view of a support post for a towel rack showing my new design;

FIG. 2 is a front elevational view thereof;

FIG. 3 is a rear elevational view thereof,

FIG. 4 is a left side elevational view thereof,

FIG. 5 is a right side elevational view thereof,

FIG. 6 is a top plan view thereof; and

FIG. 7 is a bottom plan view thereof; and,

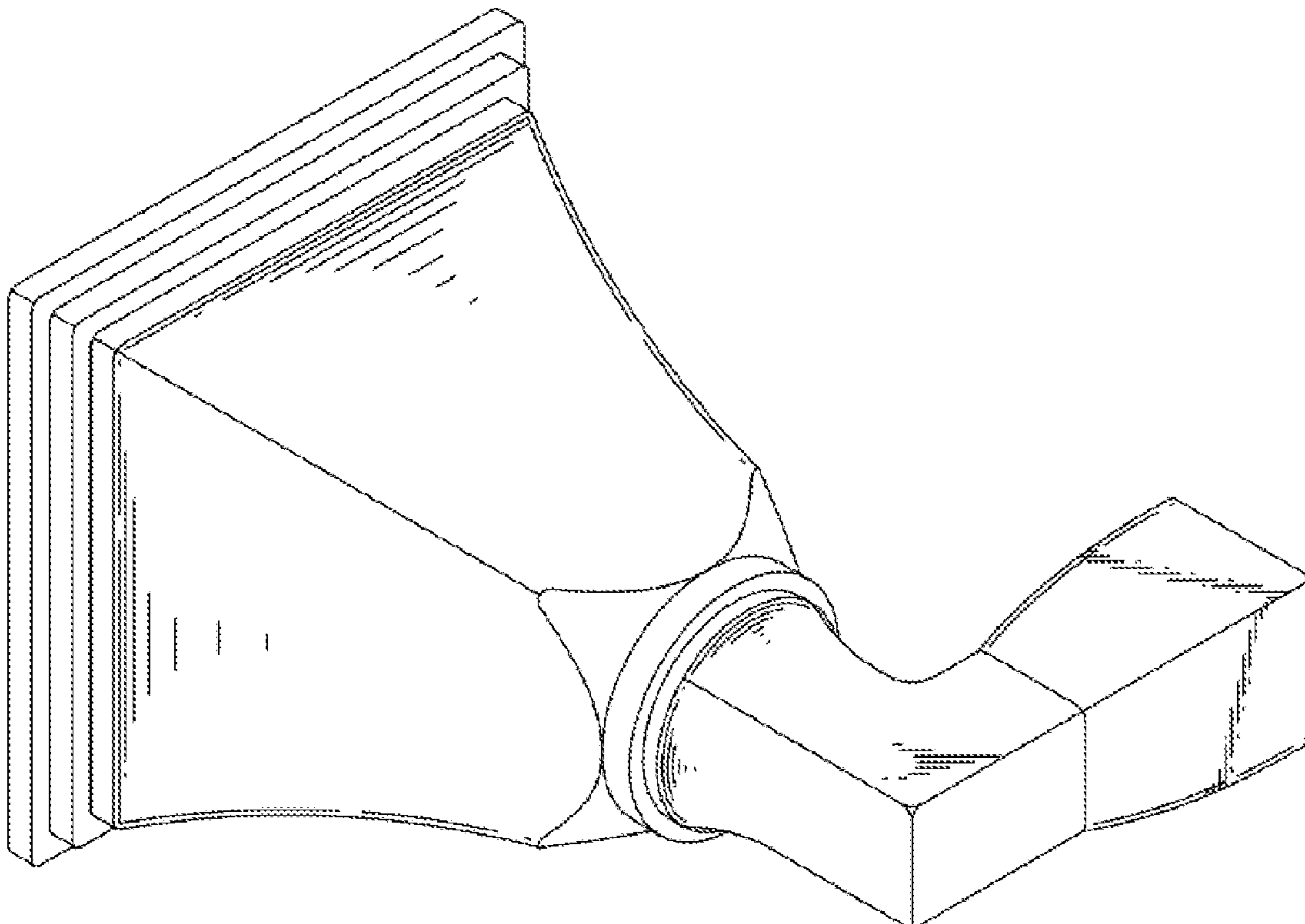
FIG. 8 is a perspective view of a thereof, with the broken lines showing of a second post and towel rod being for illustrative purposes only and forming no part of the claimed design.

(56) **References Cited**

U.S. PATENT DOCUMENTS

D256,865 S * 9/1980 Crowe D6/550
D318,968 S * 8/1991 Poulson D6/550
D334,315 S * 3/1993 Bengtson D6/524

1 Claim, 5 Drawing Sheets



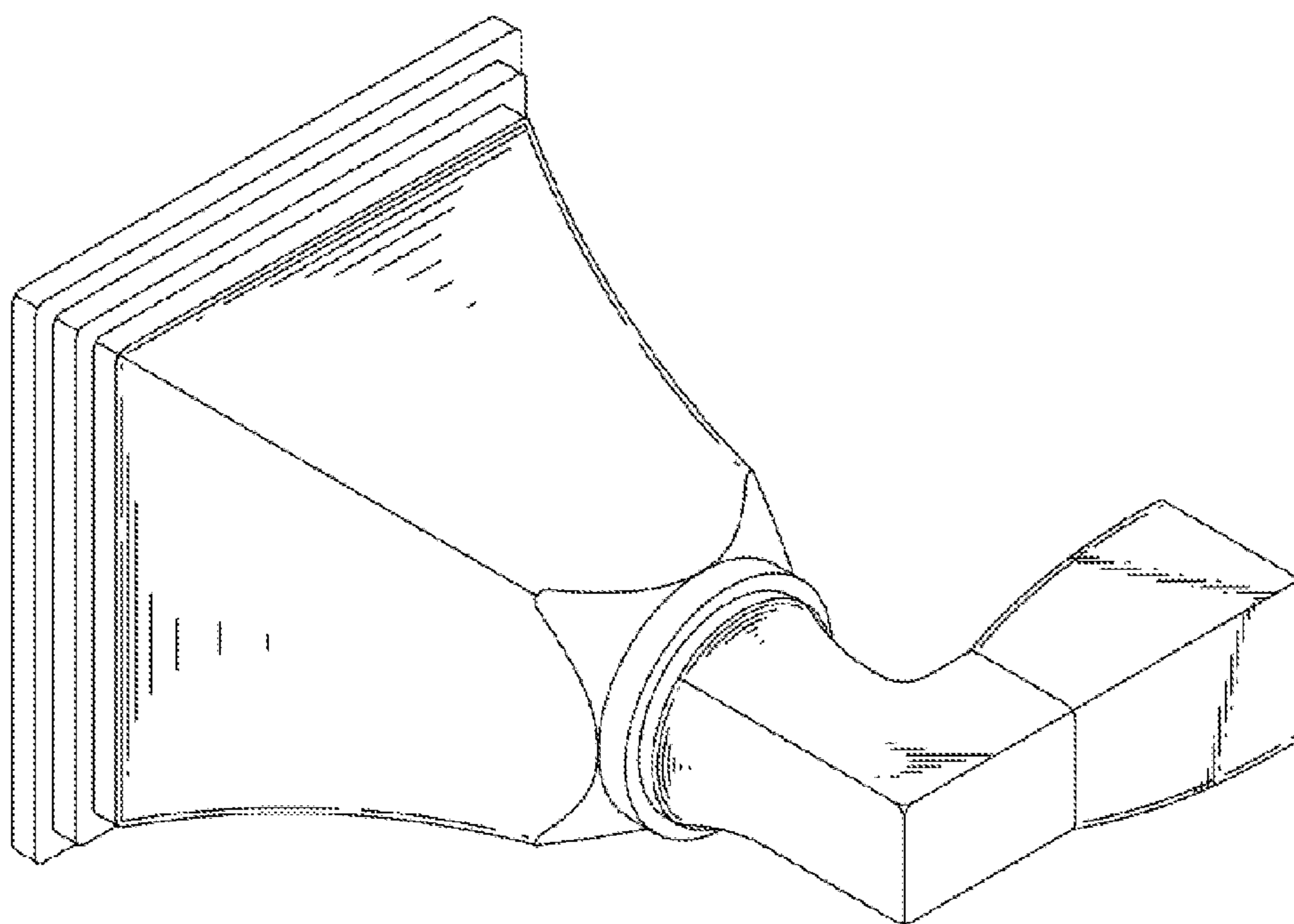


FIG. 1

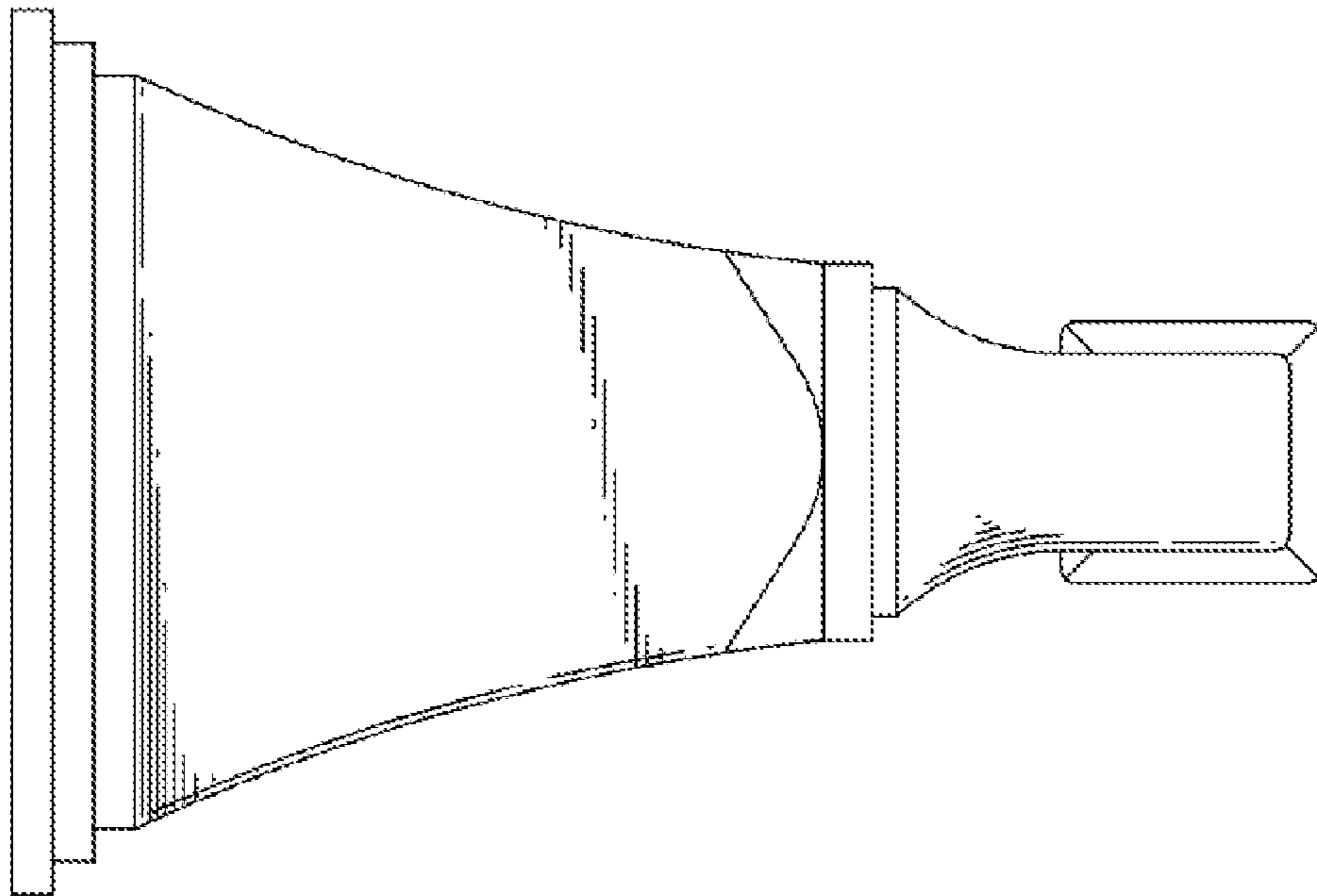


FIG. 2

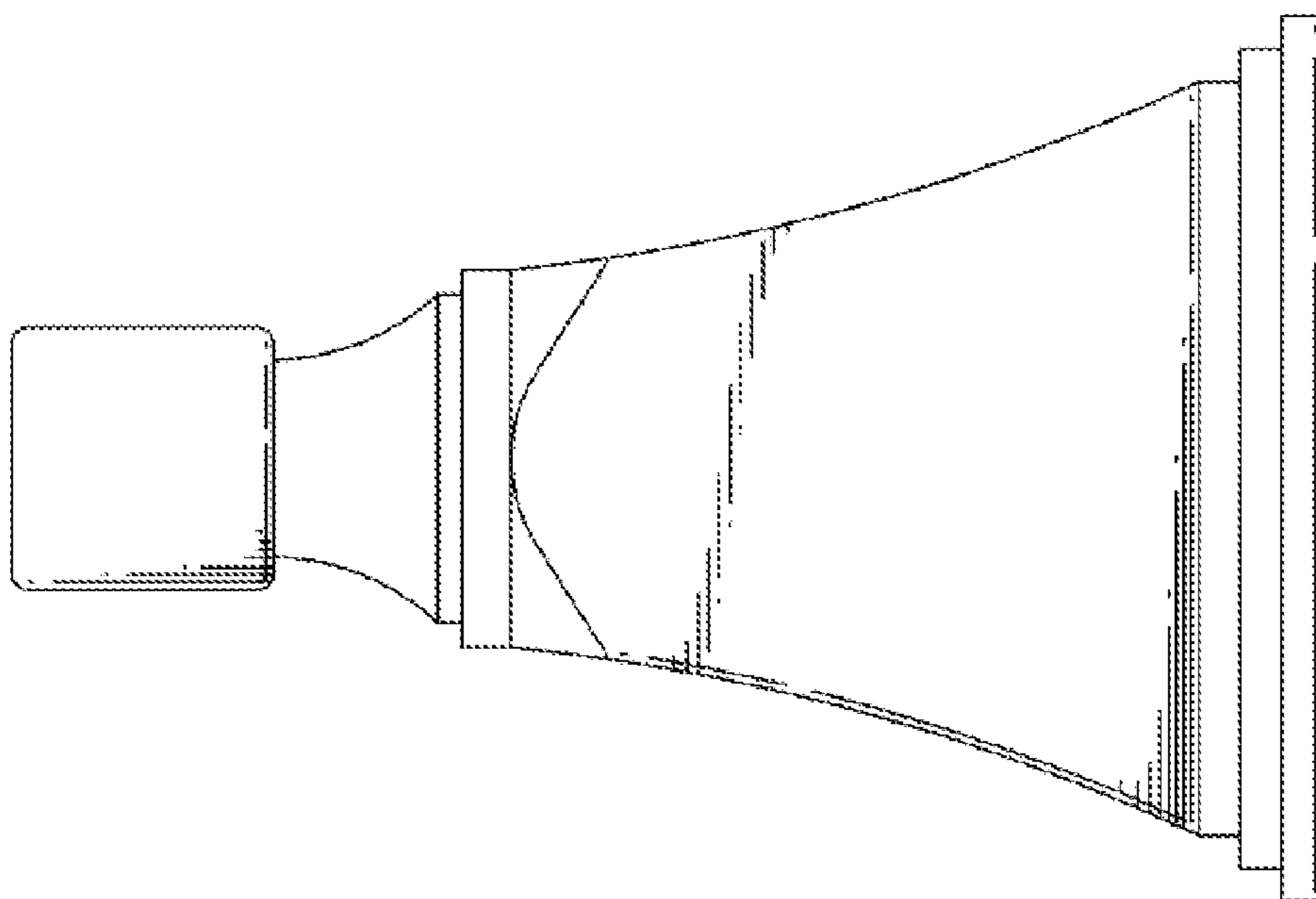


FIG. 3

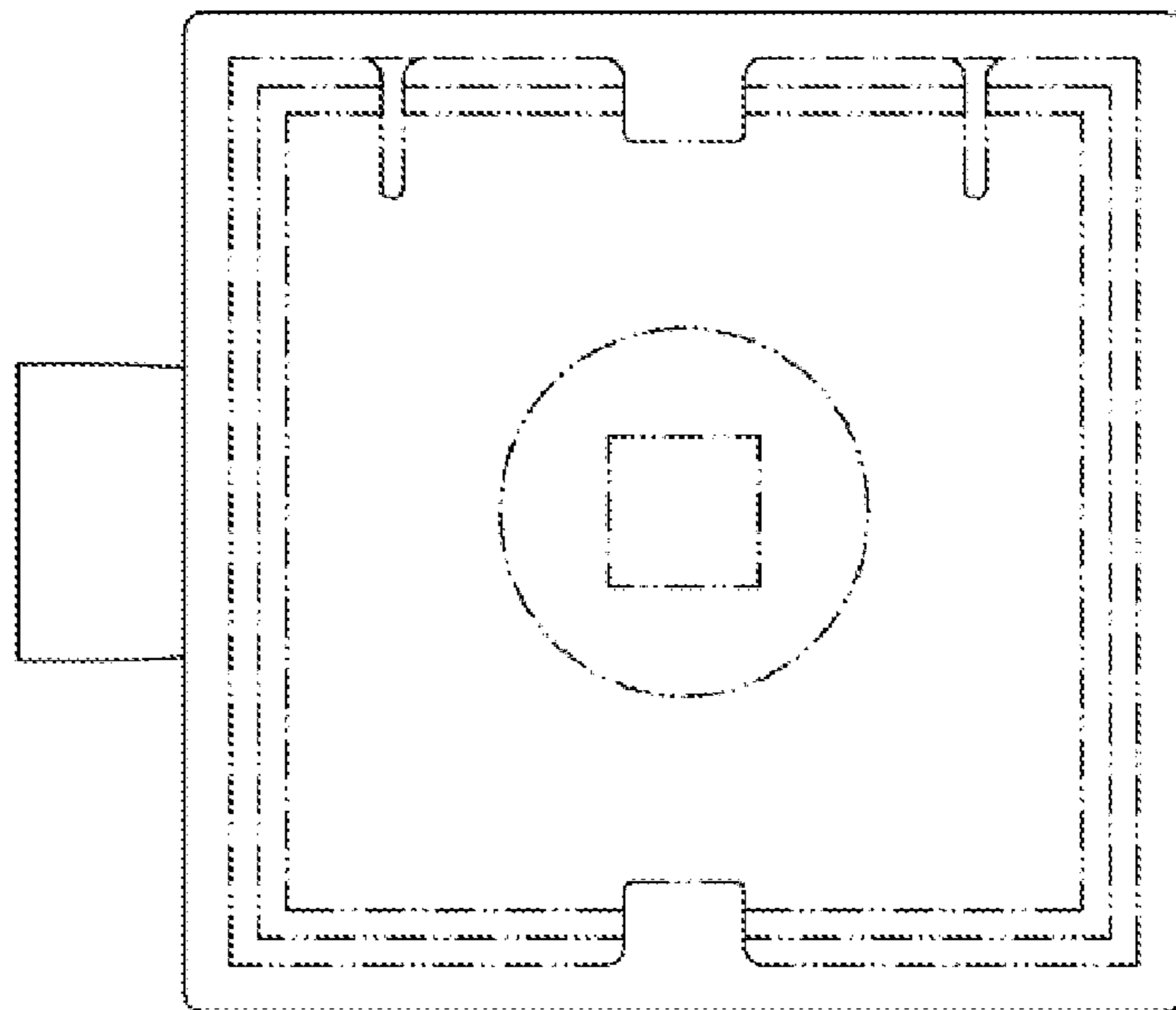


FIG. 4

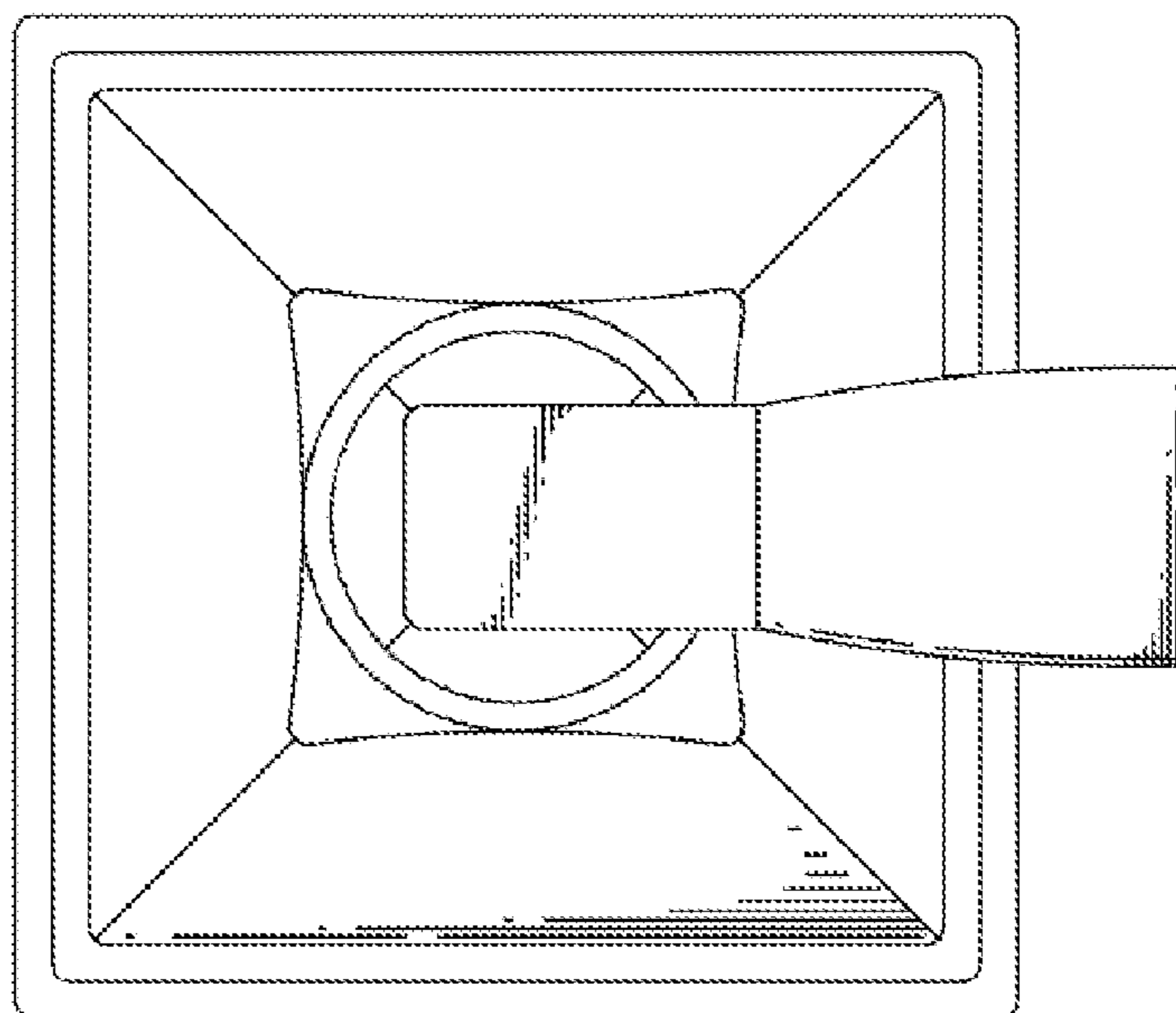


FIG. 5

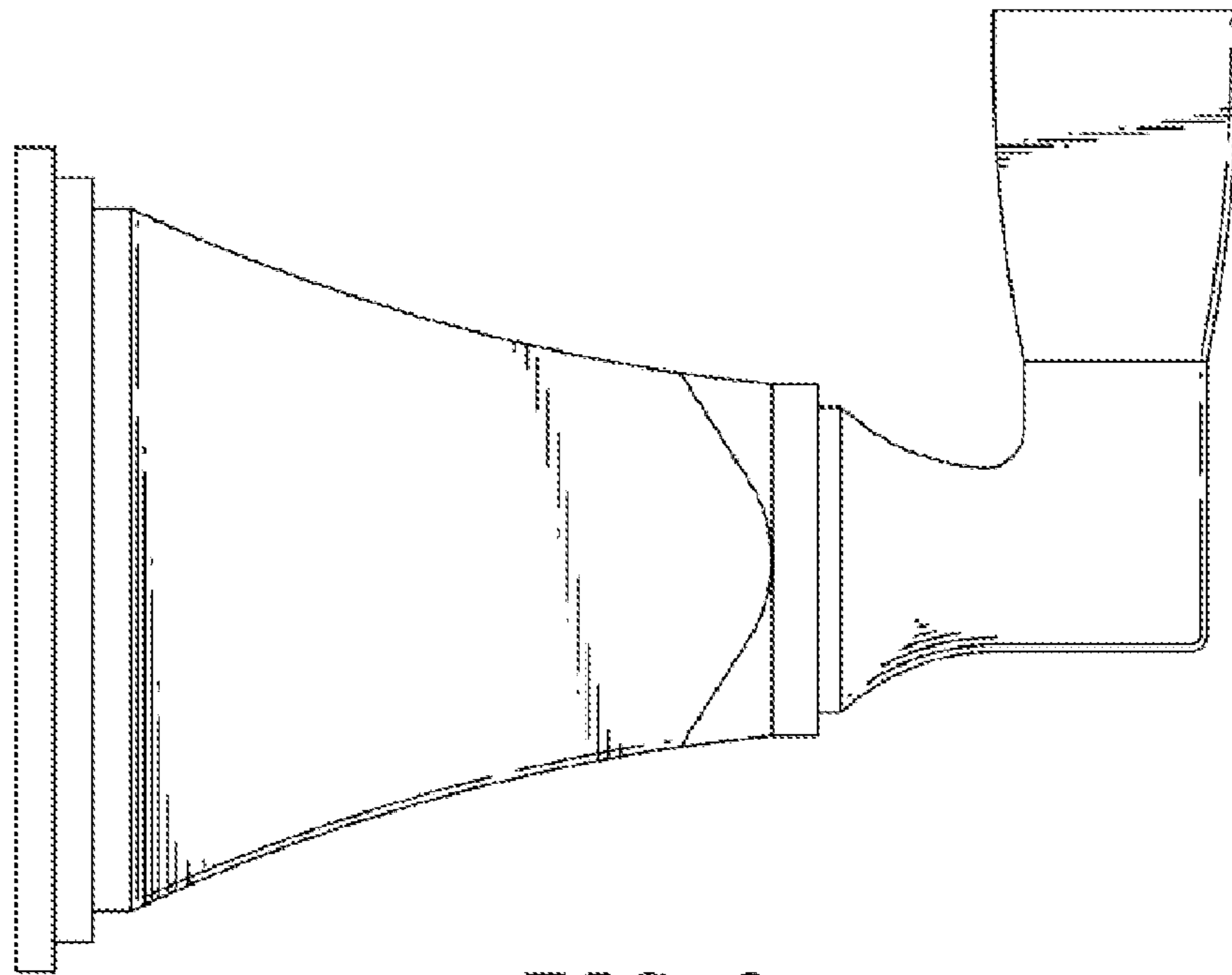


FIG. 6

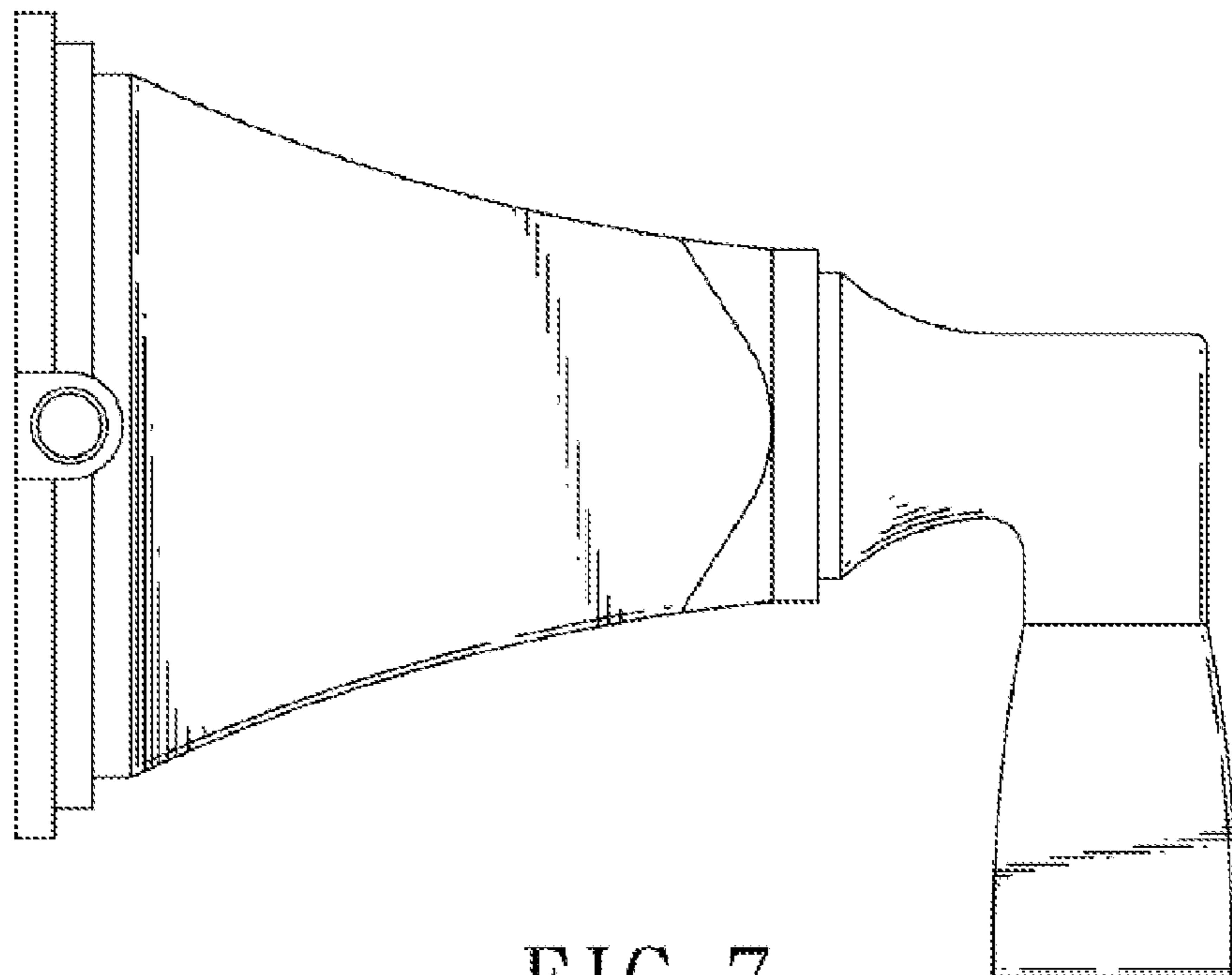


FIG. 7

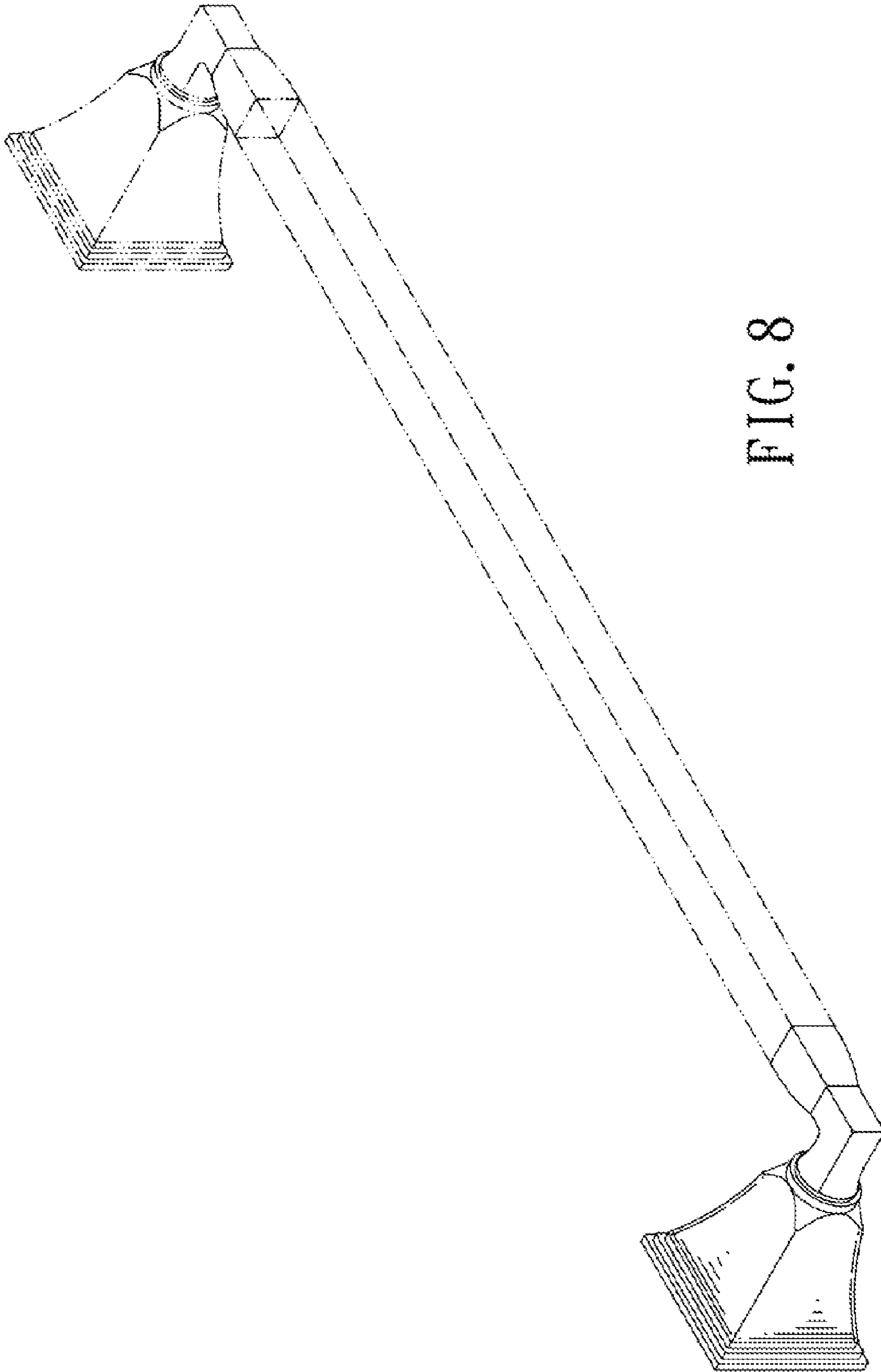


FIG. 8