



US00D569667S

(12) **United States Design Patent**
Ovelar

(10) **Patent No.:** **US D569,667 S**

(45) **Date of Patent:** **** May 27, 2008**

(54) **PAPER ROLL HOLDER**

6,405,972 B1 * 6/2002 Wakam 242/597.7
D480,901 S * 10/2003 Millington D6/518

(75) Inventor: **Jesus Ovelar**, Arganda del Rey (ES)

* cited by examiner

(73) Assignee: **Inmovelar, S.L.** (ES)

Primary Examiner—Brian N Vinson

(**) Term: **14 Years**

(74) *Attorney, Agent, or Firm*—Lucas & Mercanti, LLP

(21) Appl. No.: **29/284,354**

(57) **CLAIM**

(22) Filed: **Sep. 6, 2007**

The ornamental design for a paper roll holder, as shown and described.

(51) **LOC (8) Cl.** **20-02**

(52) **U.S. Cl.** **D6/518**

(58) **Field of Classification Search** D6/518–523;
206/389, 390, 395; 221/282–283; 312/34.8;
242/570, 560, 590, 597.7, 598

See application file for complete search history.

DESCRIPTION

(56) **References Cited**

U.S. PATENT DOCUMENTS

4,721,264 A * 1/1988 Muscarello 206/390
D339,490 S * 9/1993 Addison et al. D6/518
D357,377 S * 4/1995 Manu et al. D6/518
D362,145 S * 9/1995 Nolen D6/523
D447,899 S * 9/2001 Draughn, Sr. D6/523
D452,788 S * 1/2002 Neiberger et al. D6/518

FIG. 1 is a front, right perspective view of the paper roll holder;

FIG. 2 is a bottom, left perspective view thereof;

FIG. 3 is a bottom plan view thereof;

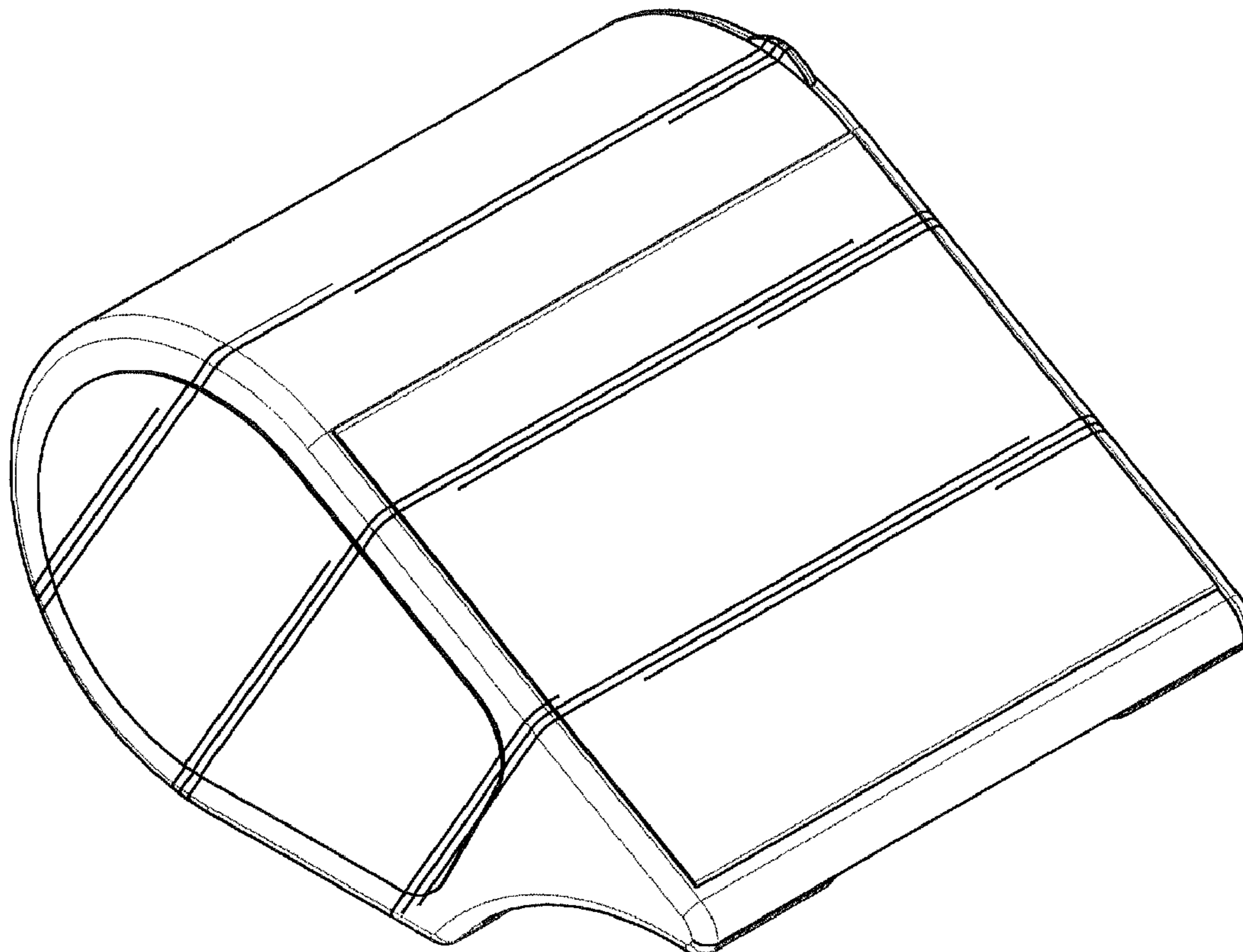
FIG. 4 is a front side plan view thereof, which is identical with the back side plan view;

FIG. 5 is a top plan view thereof;

FIG. 6 is a right side plan view thereof; and,

FIG. 7 is a left side plan view thereof.

1 Claim, 7 Drawing Sheets



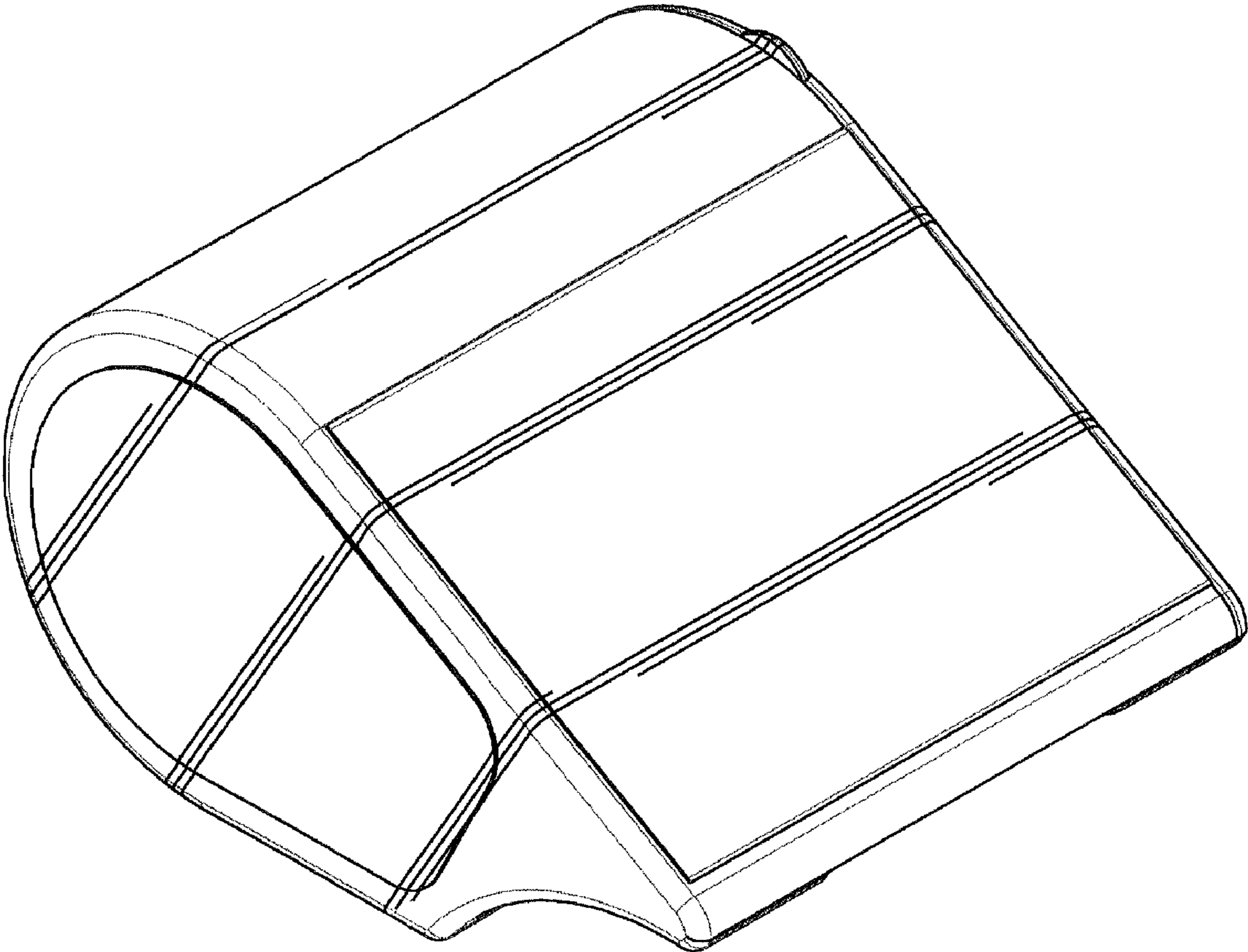


Fig. 1

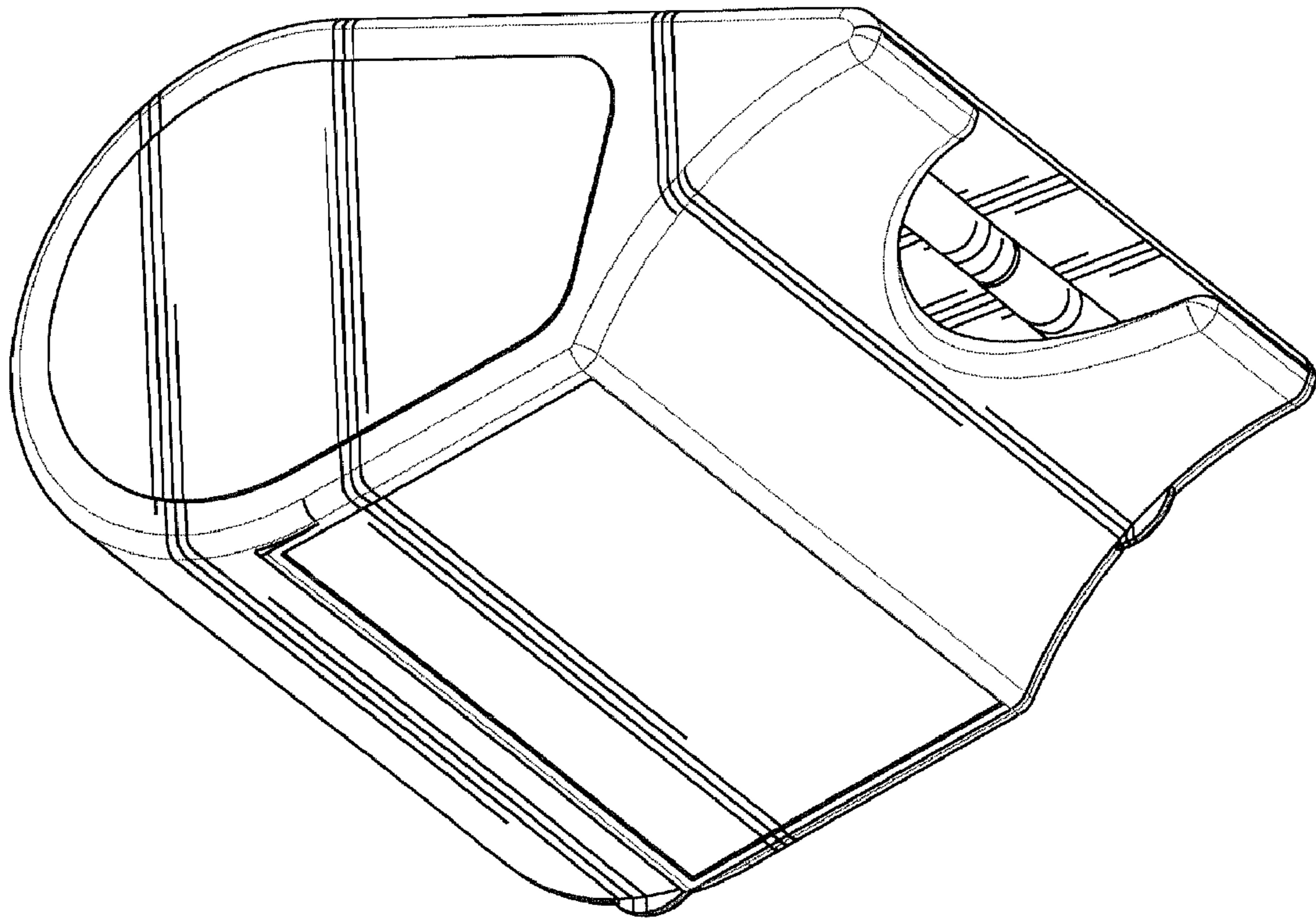


Fig. 2

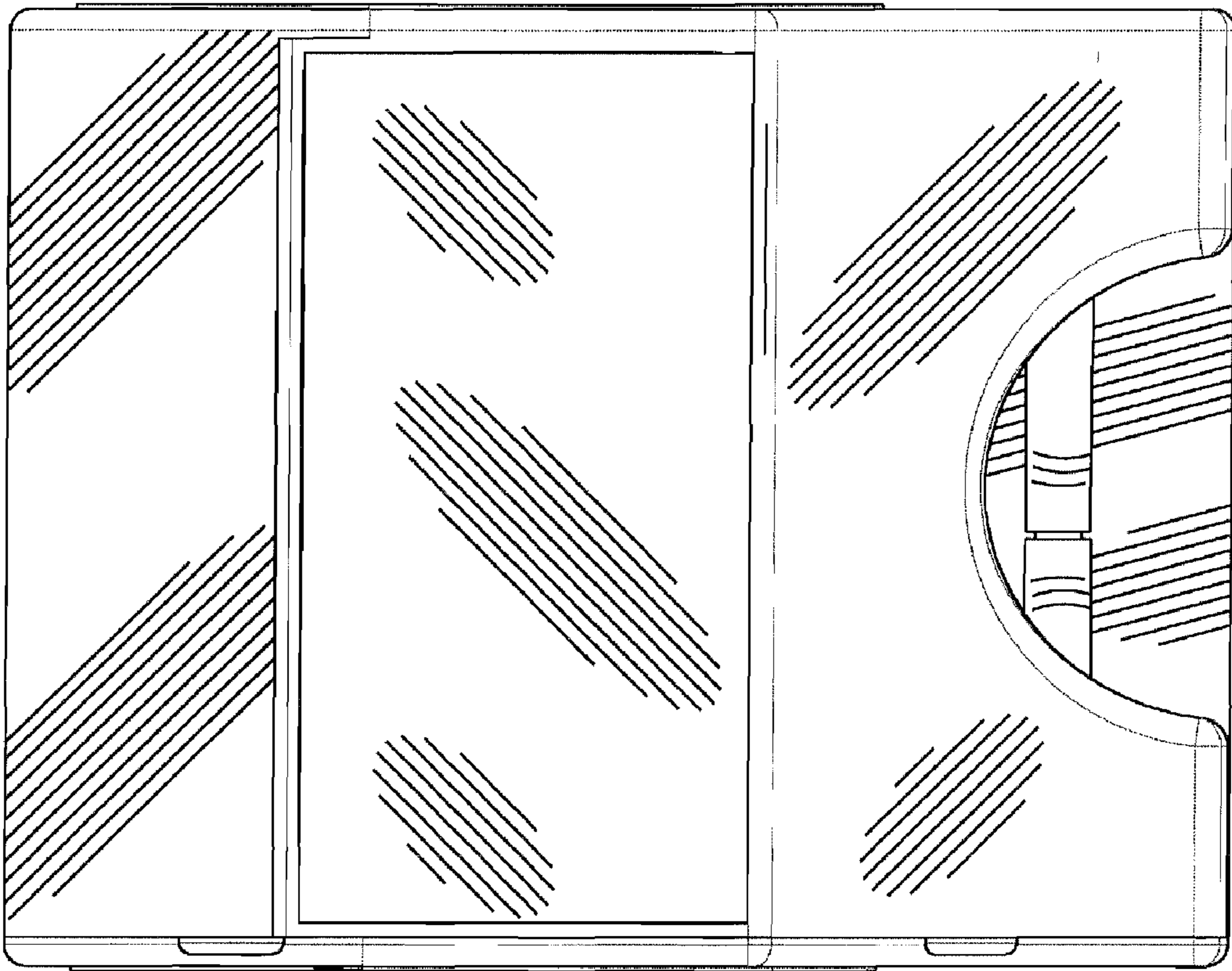


Fig. 3

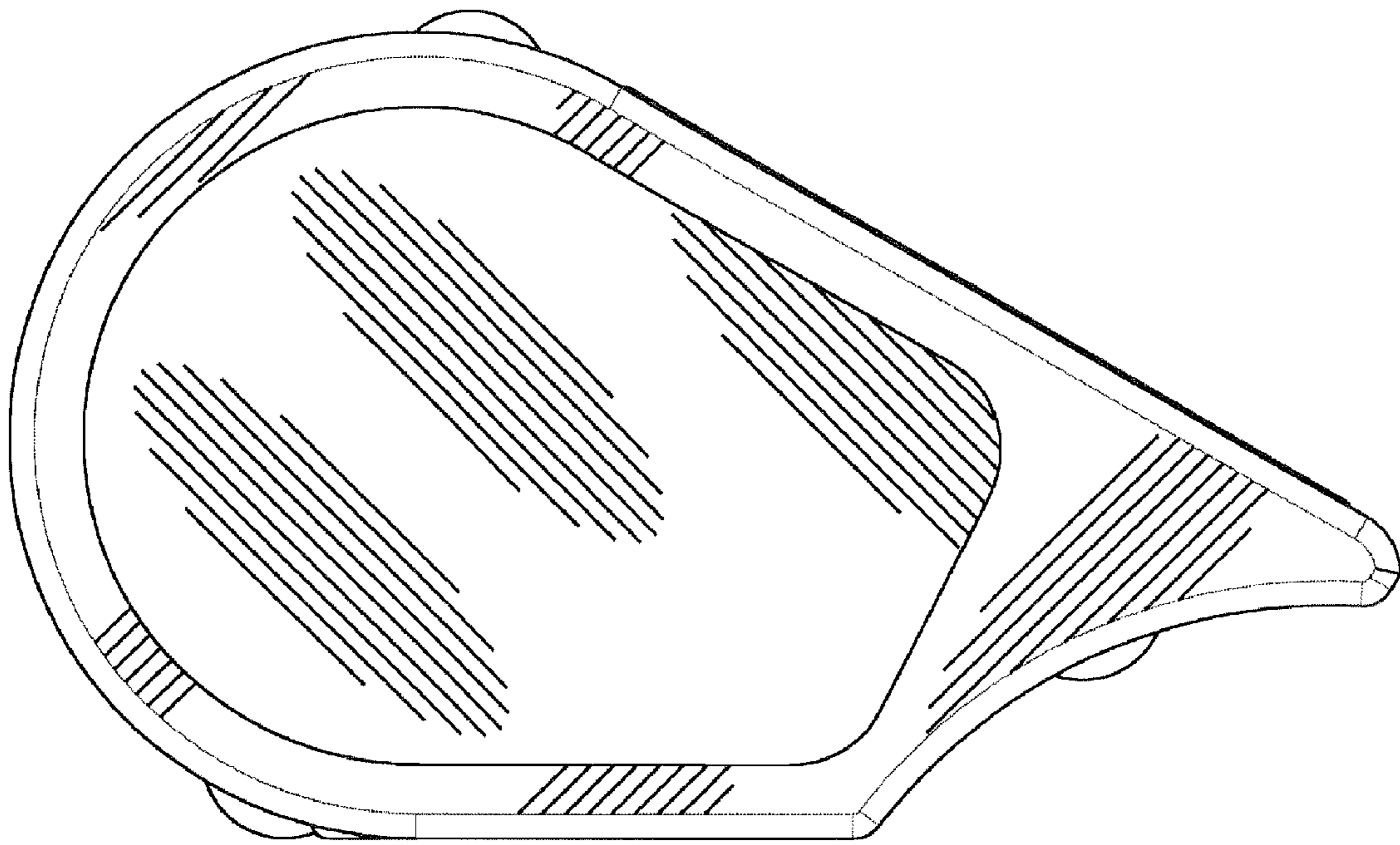


Fig. 4

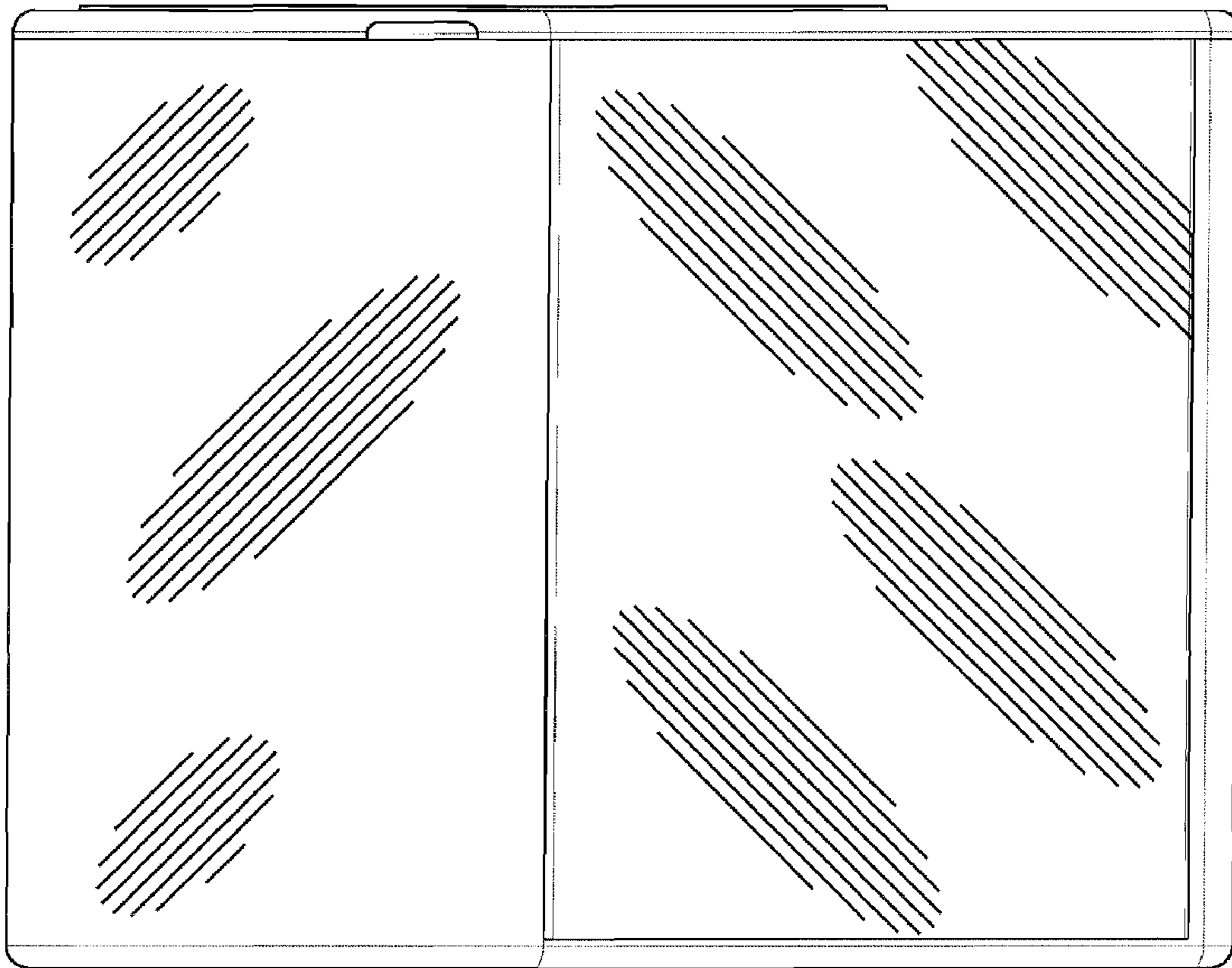


Fig. 5

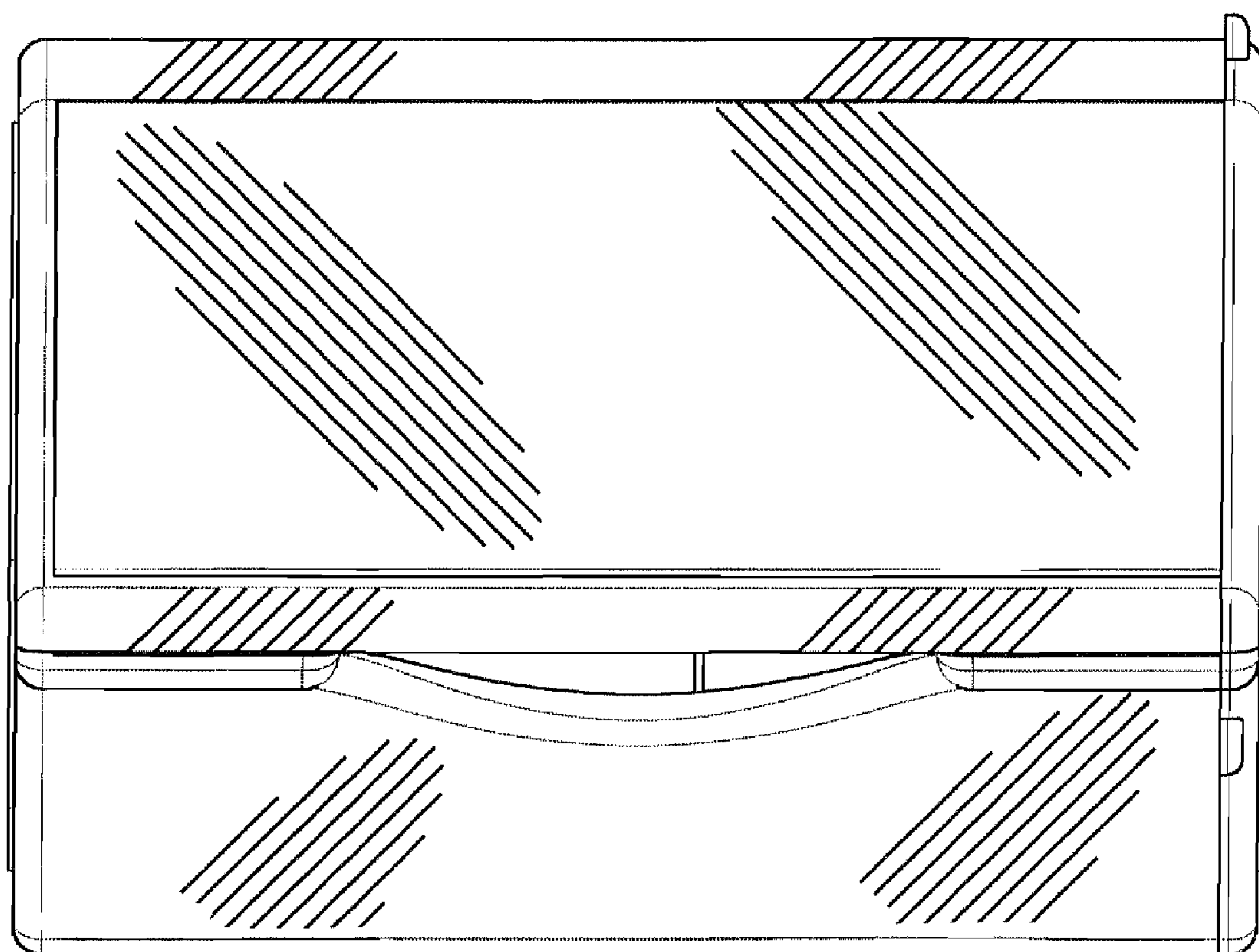


Fig. 6

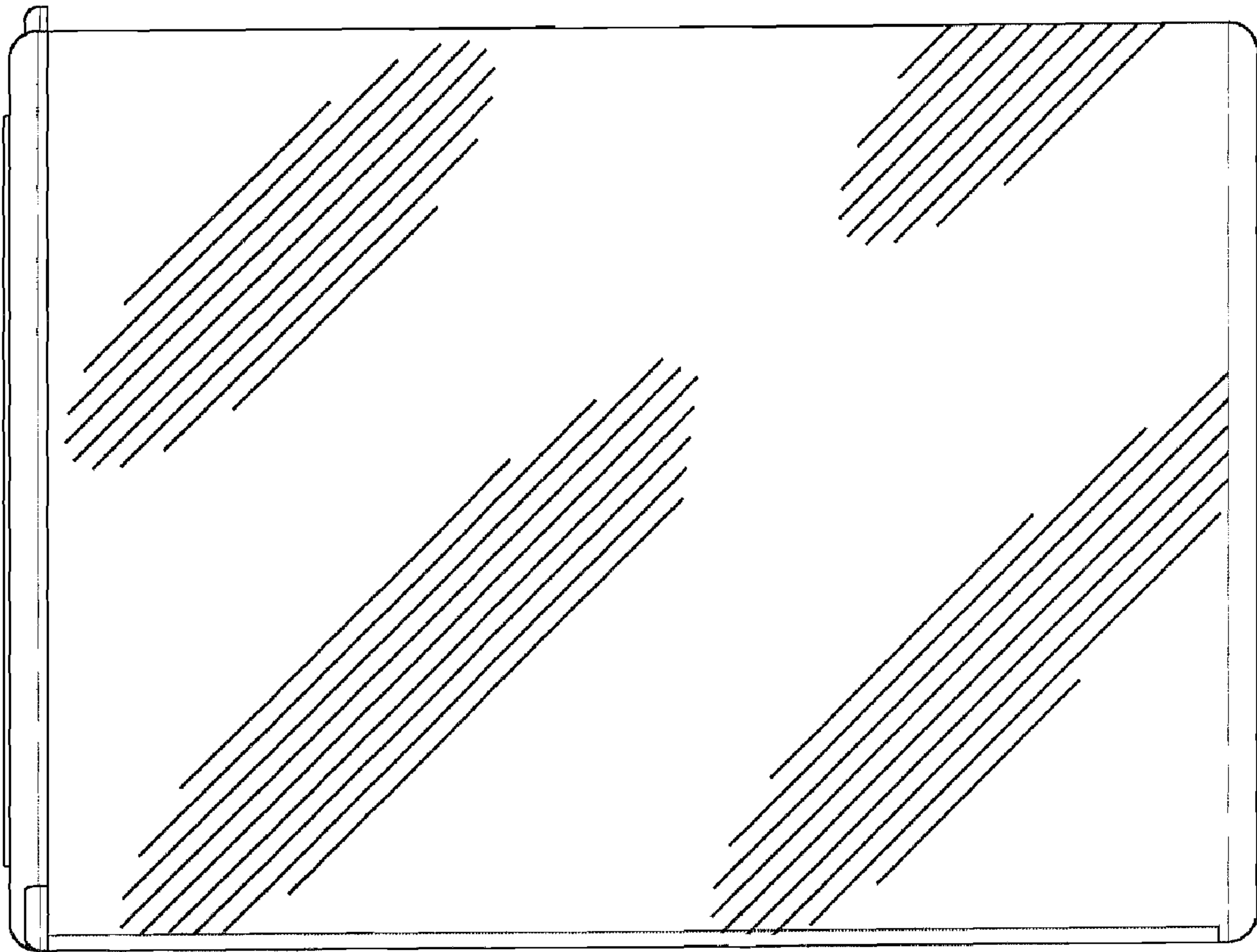


Fig. 7