



US00D569663S

(12) **United States Design Patent**
Pearsons et al.

(10) **Patent No.:** **US D569,663 S**

(45) **Date of Patent:** **** May 27, 2008**

(54) **TABLE FOOT**

(76) Inventors: **Errol Pearsons**, 303 S. Second St.,
Grand Haven, MI (US) 49417; **Paul**
Koning, 6434 Oakridge Dr., Holland,
MI (US) 49423

(**) Term: **14 Years**

(21) Appl. No.: **29/297,897**

(22) Filed: **Nov. 21, 2007**

Related U.S. Application Data

(62) Division of application No. 29/257,523, filed on Apr.
5, 2006, now Pat. No. Des. 555,945.

(51) **LOC (8) Cl.** **06-06**

(52) **U.S. Cl.** **D6/498**

(58) **Field of Classification Search** D6/480-489,
D6/495-499, 366; 108/150, 151, 155, 156,
108/157.1, 161, 50.01, 50.02; 248/188, 188.1,
248/188.7, 188.8

See application file for complete search history.

(56) **References Cited**

U.S. PATENT DOCUMENTS

D250,373 S *	11/1978	Prizlow et al.	D6/366
D261,078 S *	10/1981	Wilson	D6/366
D276,864 S	12/1984	Ponzellini		
D284,534 S	7/1986	Montenecourt		
D296,635 S	7/1988	Kelley et al.		
D314,299 S	2/1991	Diffrient		
D324,615 S	3/1992	Diffrient		
D334,857 S	4/1993	Miller		
D380,632 S	7/1997	Schacht		
D414,357 S	9/1999	Fu		
D431,739 S	10/2000	Rives		

D472,079 S *	3/2003	Chen	D6/498
6,647,900 B1	11/2003	Kopish		
D494,387 S *	8/2004	McDiarmid	D6/498
D495,537 S *	9/2004	Fu	D6/366
D498,953 S	11/2004	Strong		
D499,905 S	12/2004	Grosfillex		
D505,813 S	6/2005	McBrayer, Jr. et al.		
D526,822 S *	8/2006	Chen et al.	D6/498

* cited by examiner

Primary Examiner—Janice E Seeger

(74) *Attorney, Agent, or Firm*—Robert K. Roth; Miller,
Canfield, Paddock and Stone

(57) **CLAIM**

The ornamental design for a table foot, as shown.

DESCRIPTION

FIG. 1 is a perspective view of a table foot, showing my new design;

FIG. 2 is a side view of the table foot of FIG. 1.

FIG. 3 is a top view of the table foot of FIG. 1.

FIG. 4 is a perspective view, showing a second embodiment of my new design;

FIG. 5 is a top view of the table foot of FIG. 4.

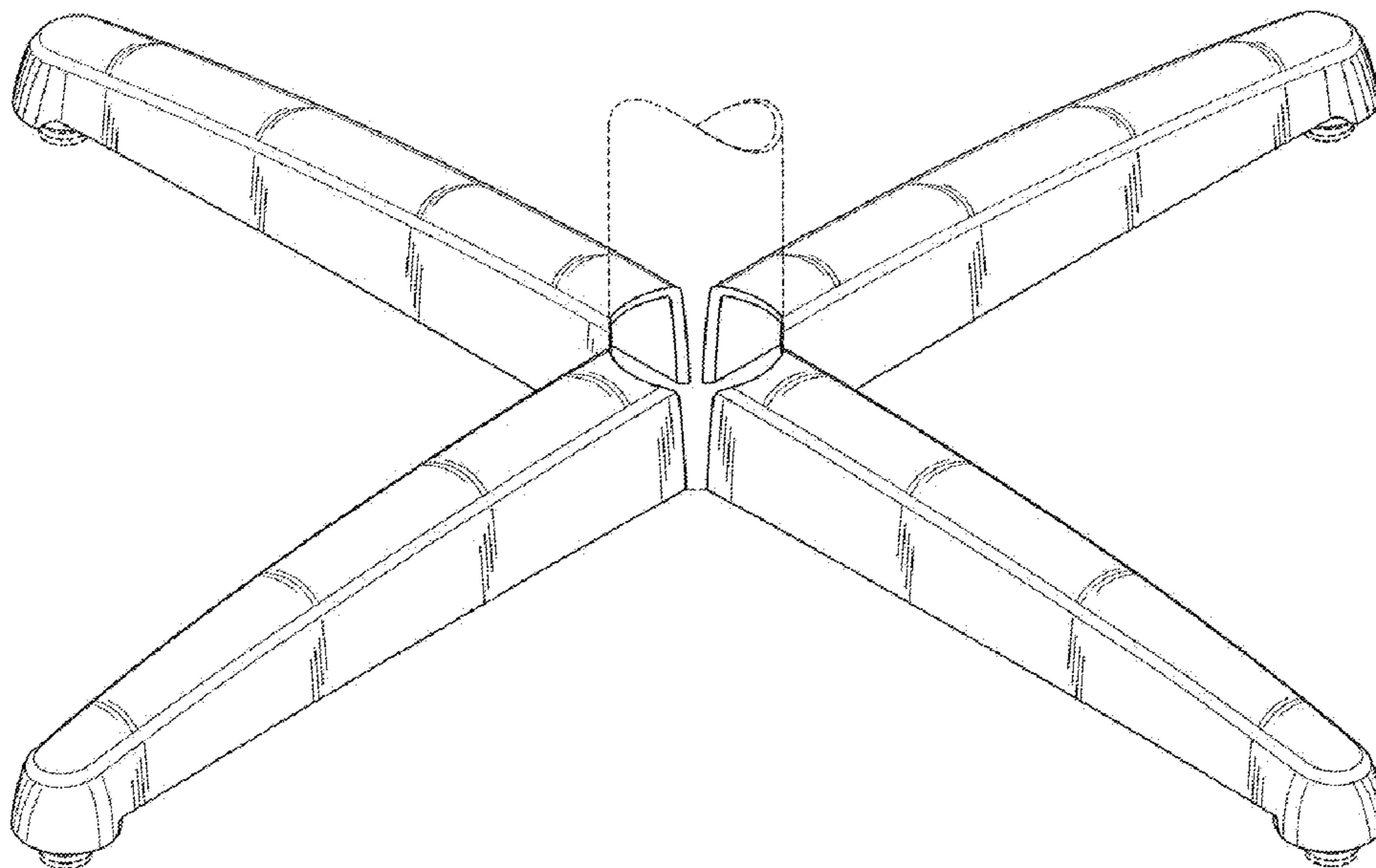
FIG. 6 is a first side view of the table foot of FIG. 4, showing two of three feet.

FIG. 7 is a second side view of the table foot of FIG. 4, showing all three feet; and,

FIG. 8 is a third side view of the table foot of FIG. 4.

The broken lines are for environmental purposes only and form no part of the claimed design.

1 Claim, 6 Drawing Sheets



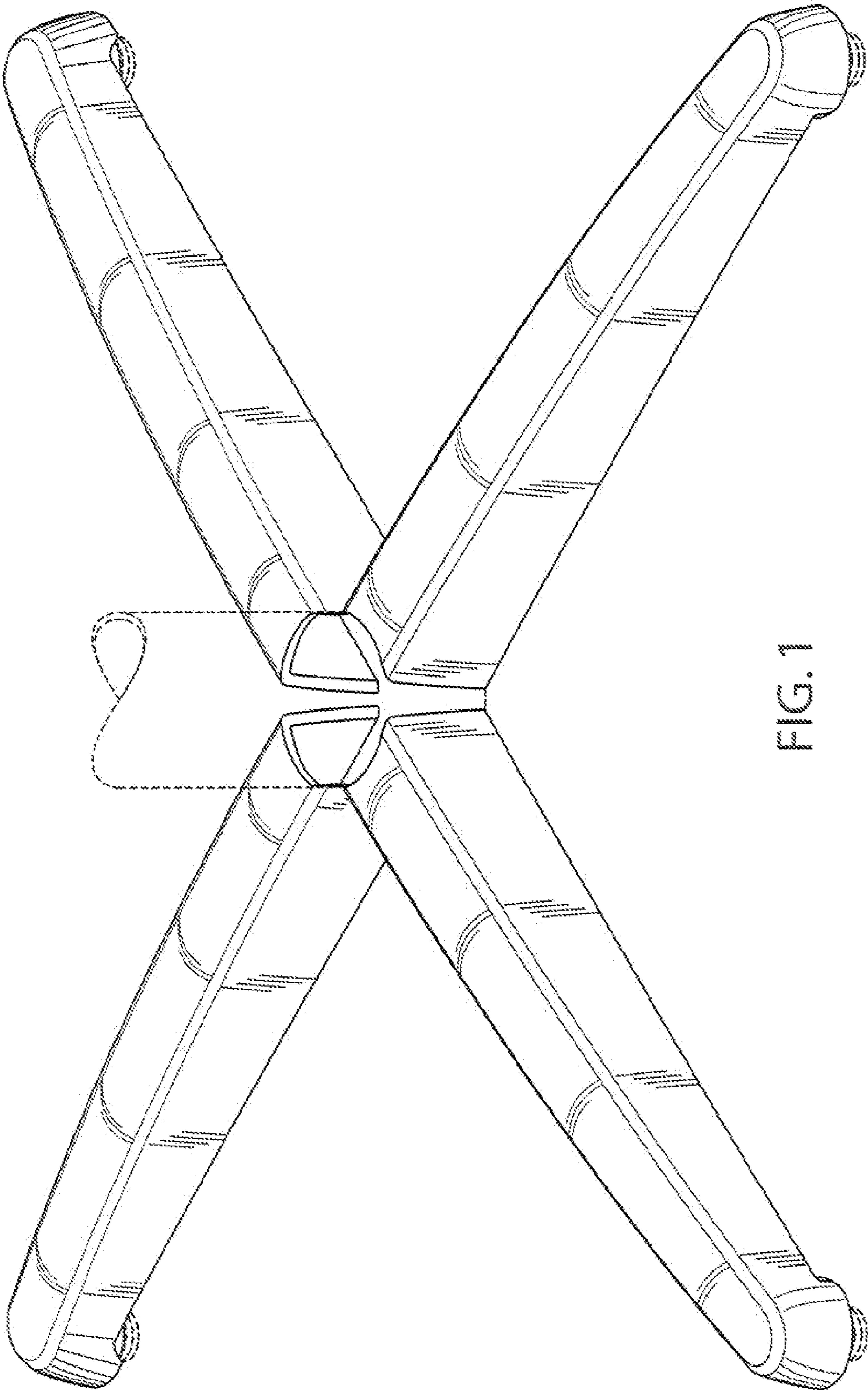


FIG. 1

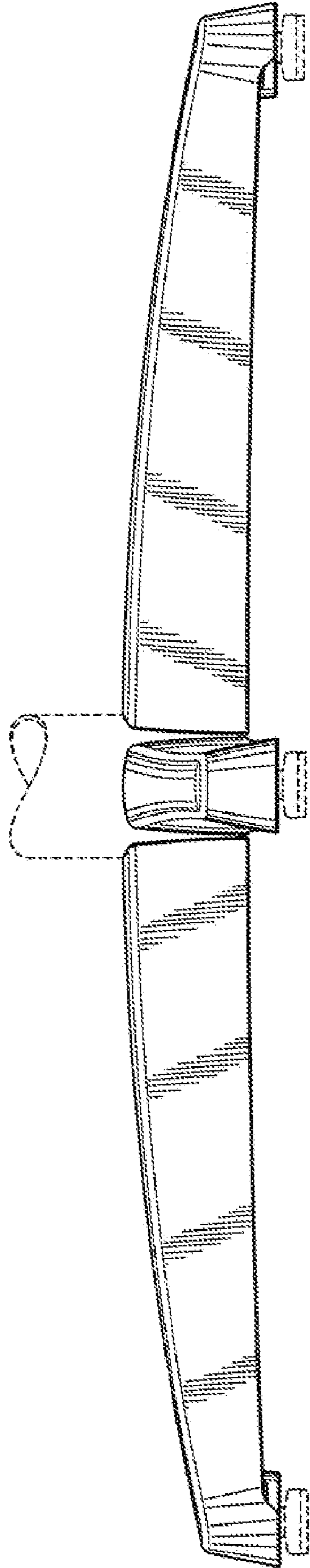


FIG. 2

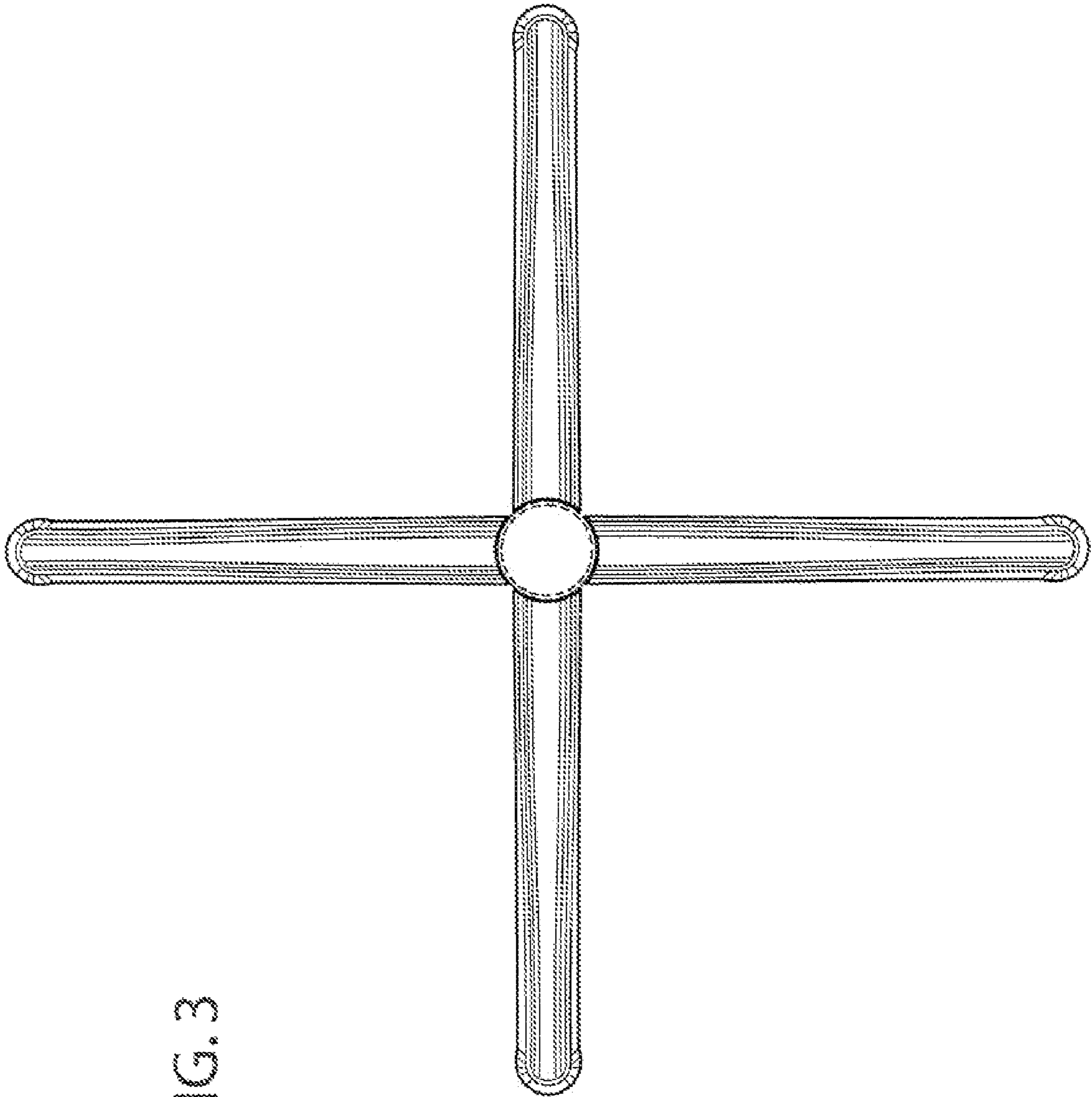


FIG. 3

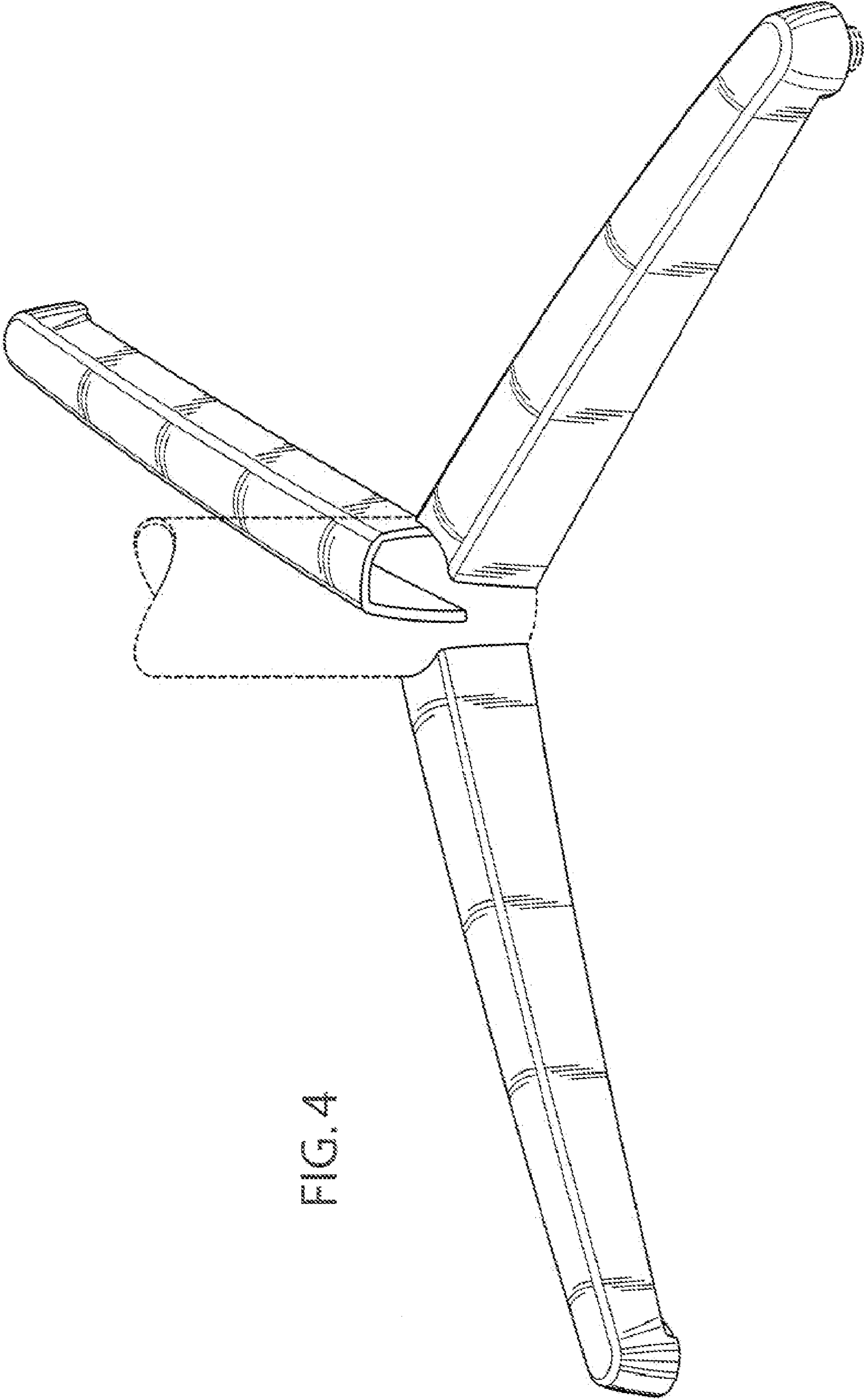


FIG. 4

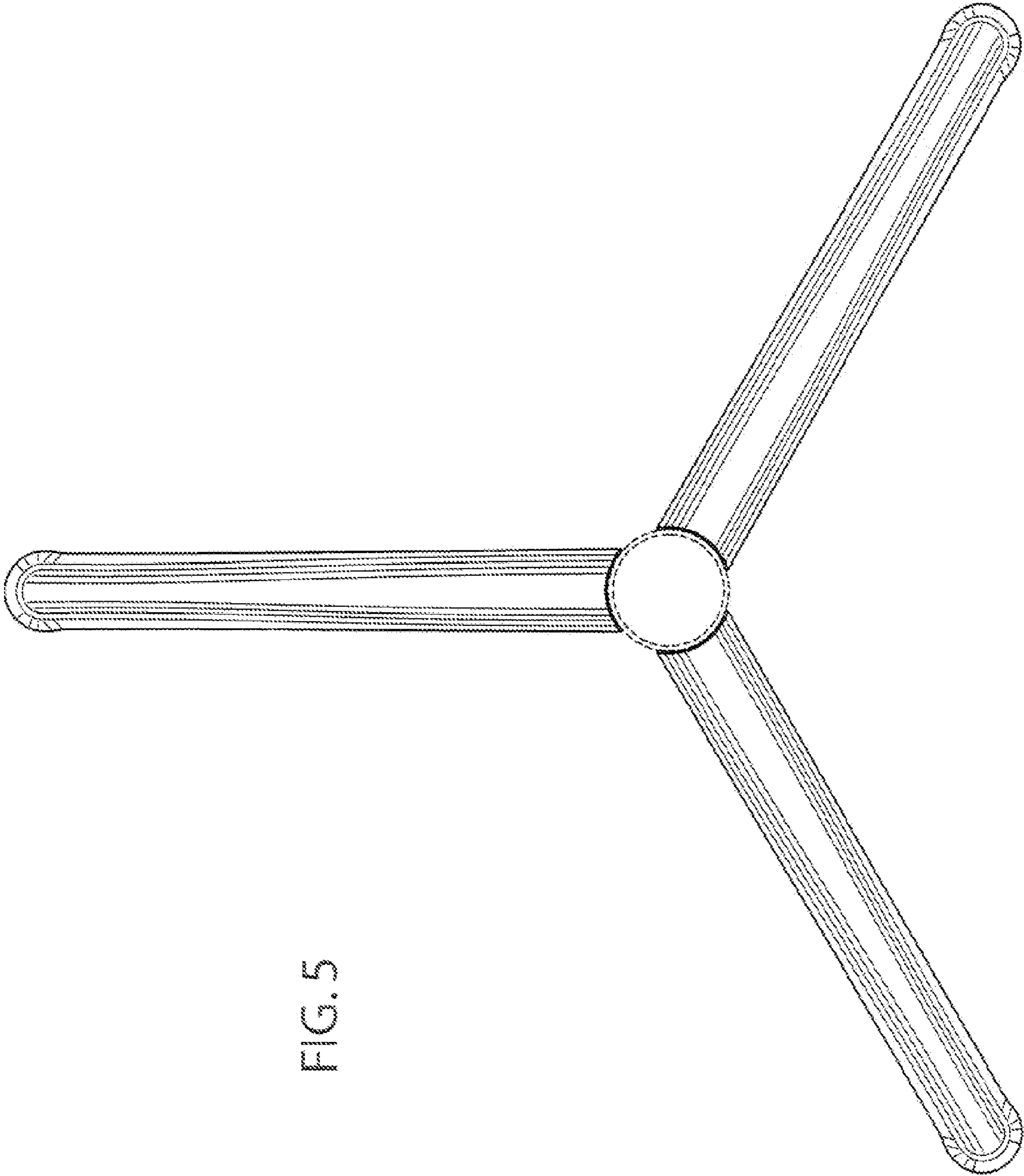


FIG. 5

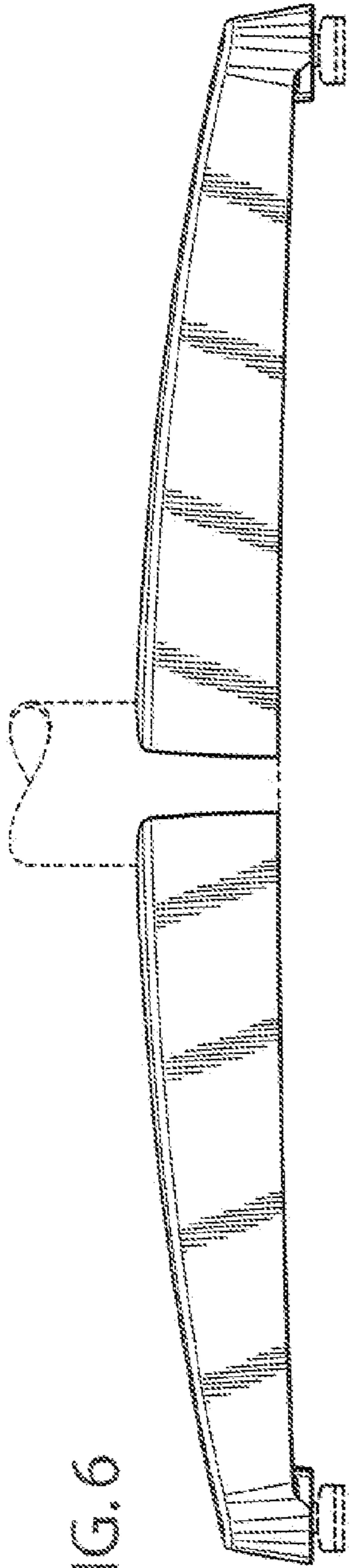


FIG. 6

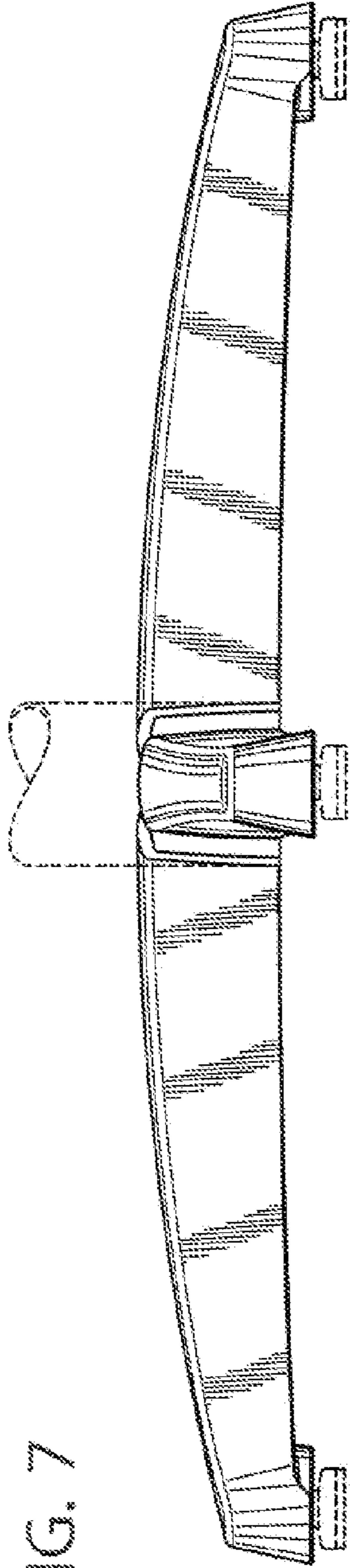


FIG. 7

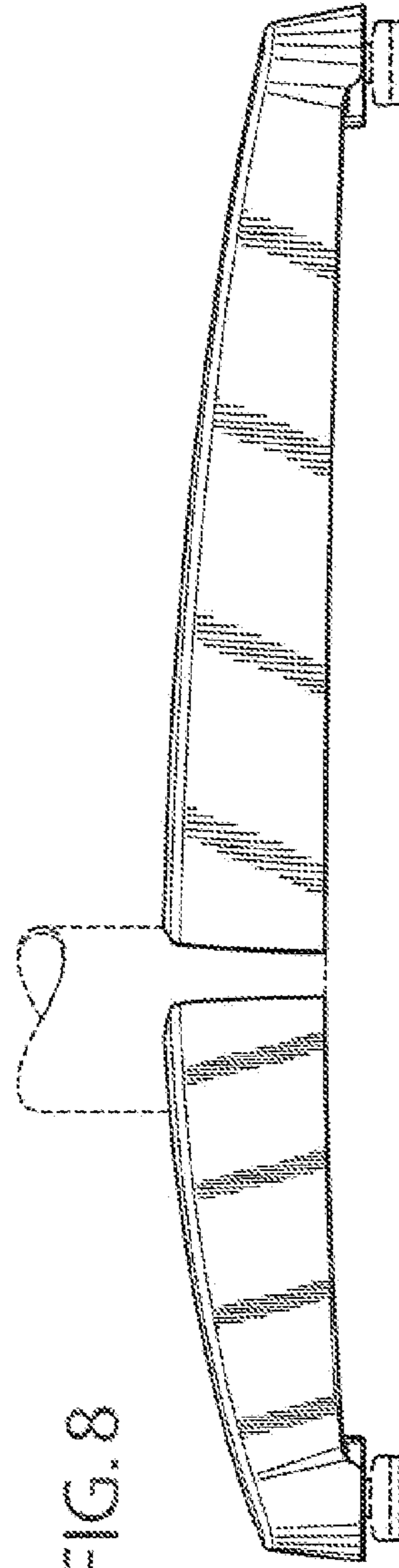


FIG. 8