



US00D569662S

(12) **United States Design Patent**
Simonsen

(10) **Patent No.:** **US D569,662 S**

(45) **Date of Patent:** **** May 27, 2008**

(54) **TABLE FOOT**

(75) Inventor: **Erik Simonsen**, Bogense (DK)

(73) Assignee: **Ergomat Danmark A/S**, Sonderso (DK)

(**) Term: **14 Years**

(21) Appl. No.: **29/267,119**

(22) Filed: **Oct. 5, 2006**

(51) **LOC (8) Cl.** **06-06**

(52) **U.S. Cl.** **D6/495**

(58) **Field of Classification Search** D6/480-489,
D6/495-499, 429-431; 108/150, 151, 153.1,
108/155, 156, 157.1, 161; 248/188, 188.1,
248/188.7, 188.8

See application file for complete search history.

(56) **References Cited**

U.S. PATENT DOCUMENTS

2,787,087	A *	4/1957	Whitman	248/188.3
2,918,243	A *	12/1959	Johnson et al.	248/188.7
3,217,672	A *	11/1965	Haughey	D6/482
D284,532	S *	7/1986	Vogt	D6/428
D322,373	S *	12/1991	Gutgsell	D6/498

* cited by examiner

Primary Examiner—Janice E Seeger

(74) *Attorney, Agent, or Firm*—Day Pitney LLP

(57) **CLAIM**

The ornamental design for a table foot, as shown and described.

DESCRIPTION

FIG. 1 is an environmental perspective view depicting a table utilizing the table foot of the present DESIGN. The table top and table legs do not form a part of the present design;

FIG. 2 is a top perspective view of the table foot of the present design;

FIG. 3 is a first side view of the table foot of the present design;

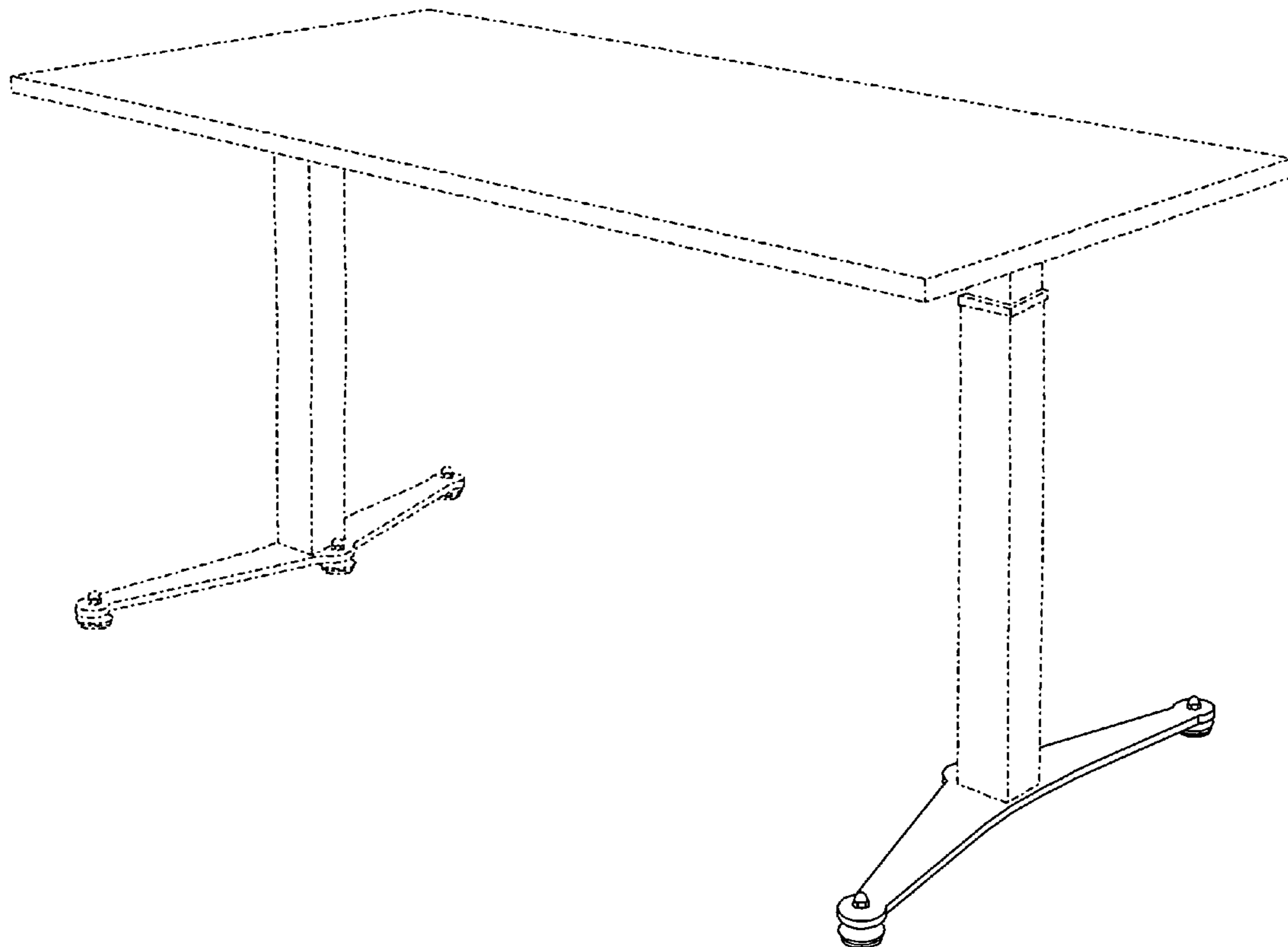
FIG. 4 is a second side view of the table foot of the present design;

FIG. 5 is a third side view of the table foot of the present design; and,

FIG. 6 is a top plan view of the table foot of the present design.

The bottom of the foot plays no part in the present design.

1 Claim, 6 Drawing Sheets



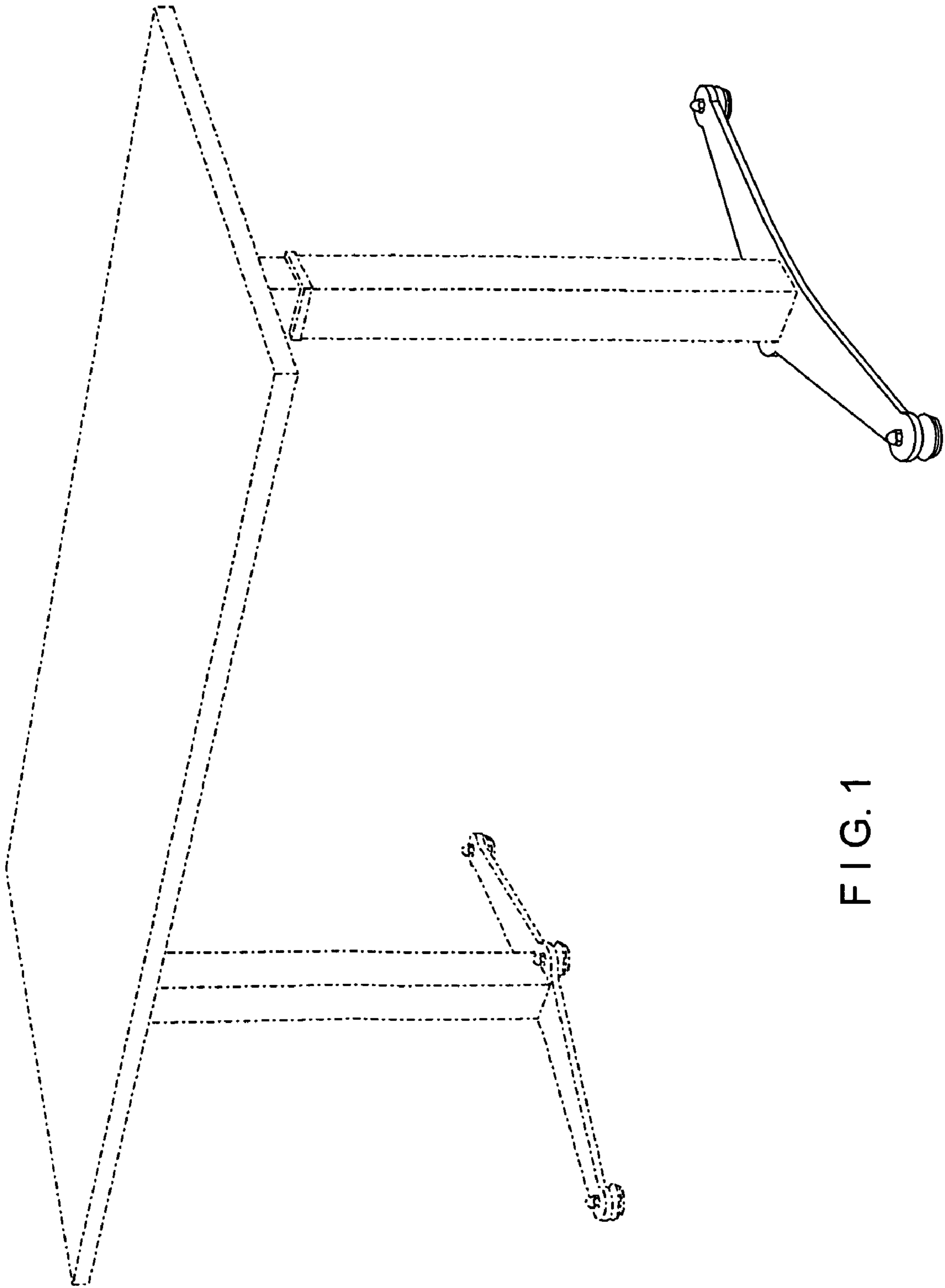


FIG. 1

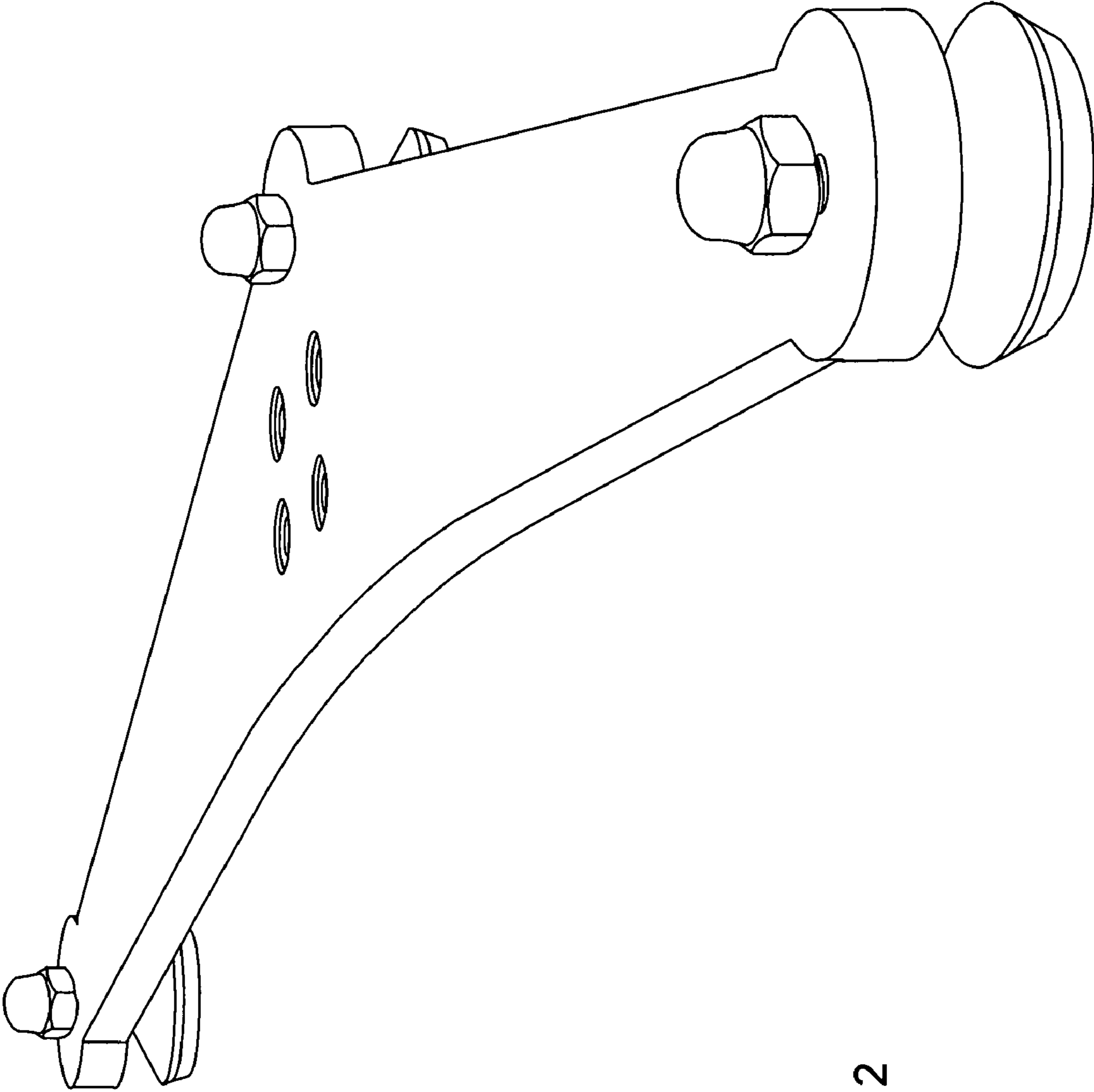


FIG. 2

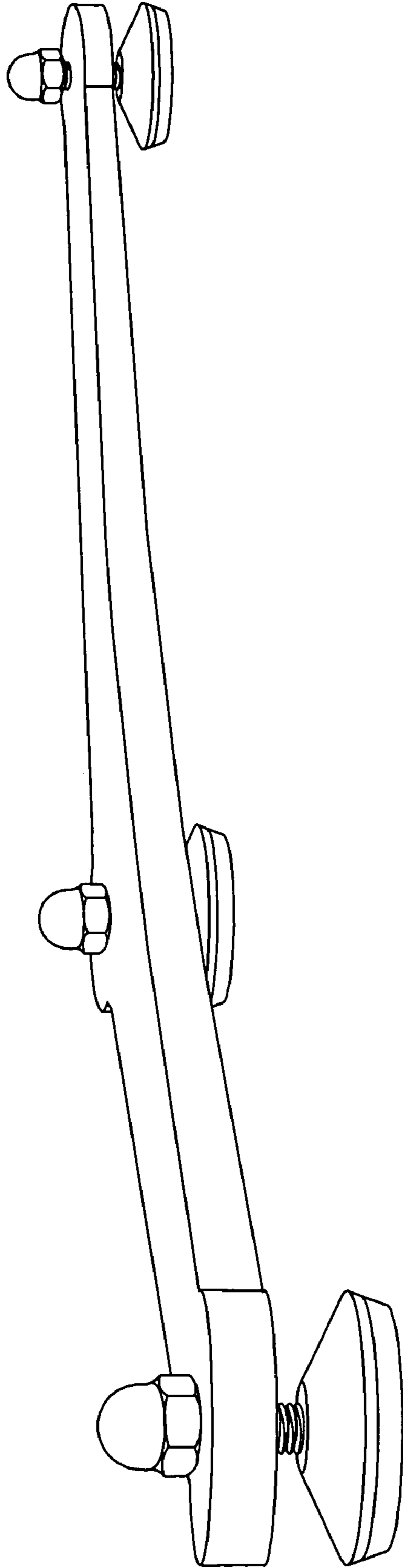


FIG. 3

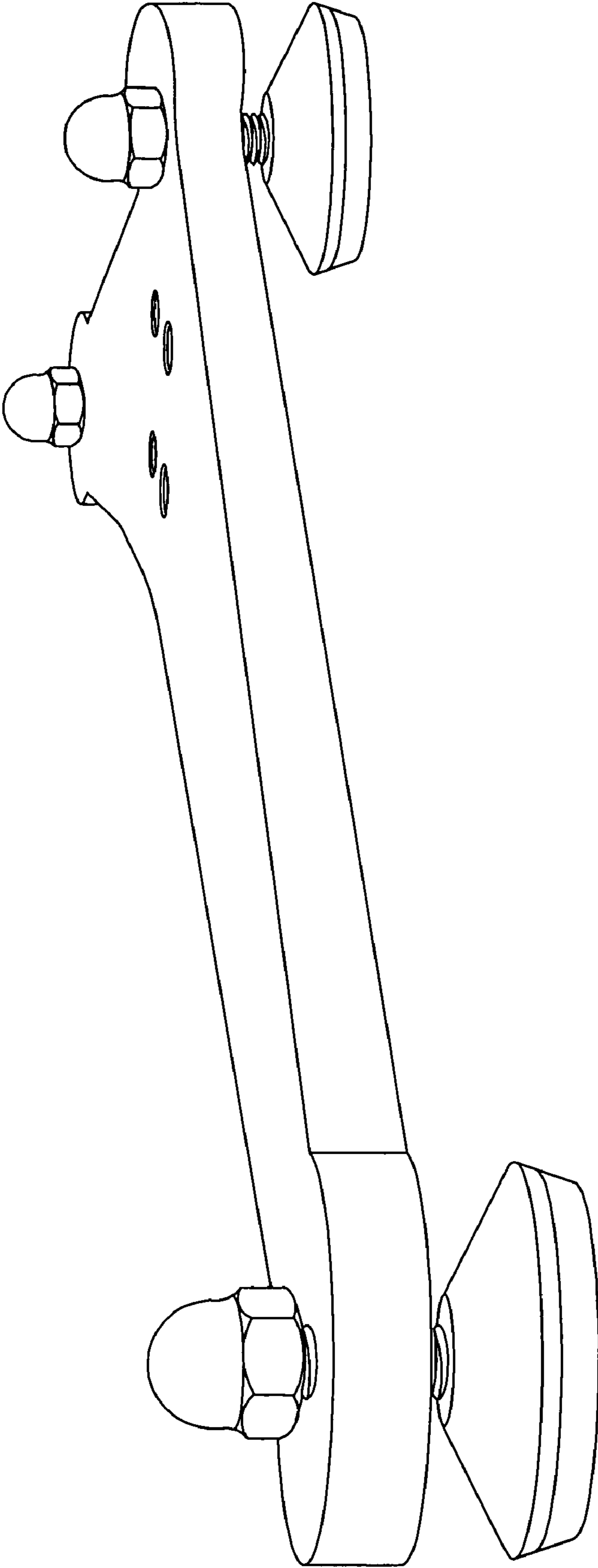


FIG. 4

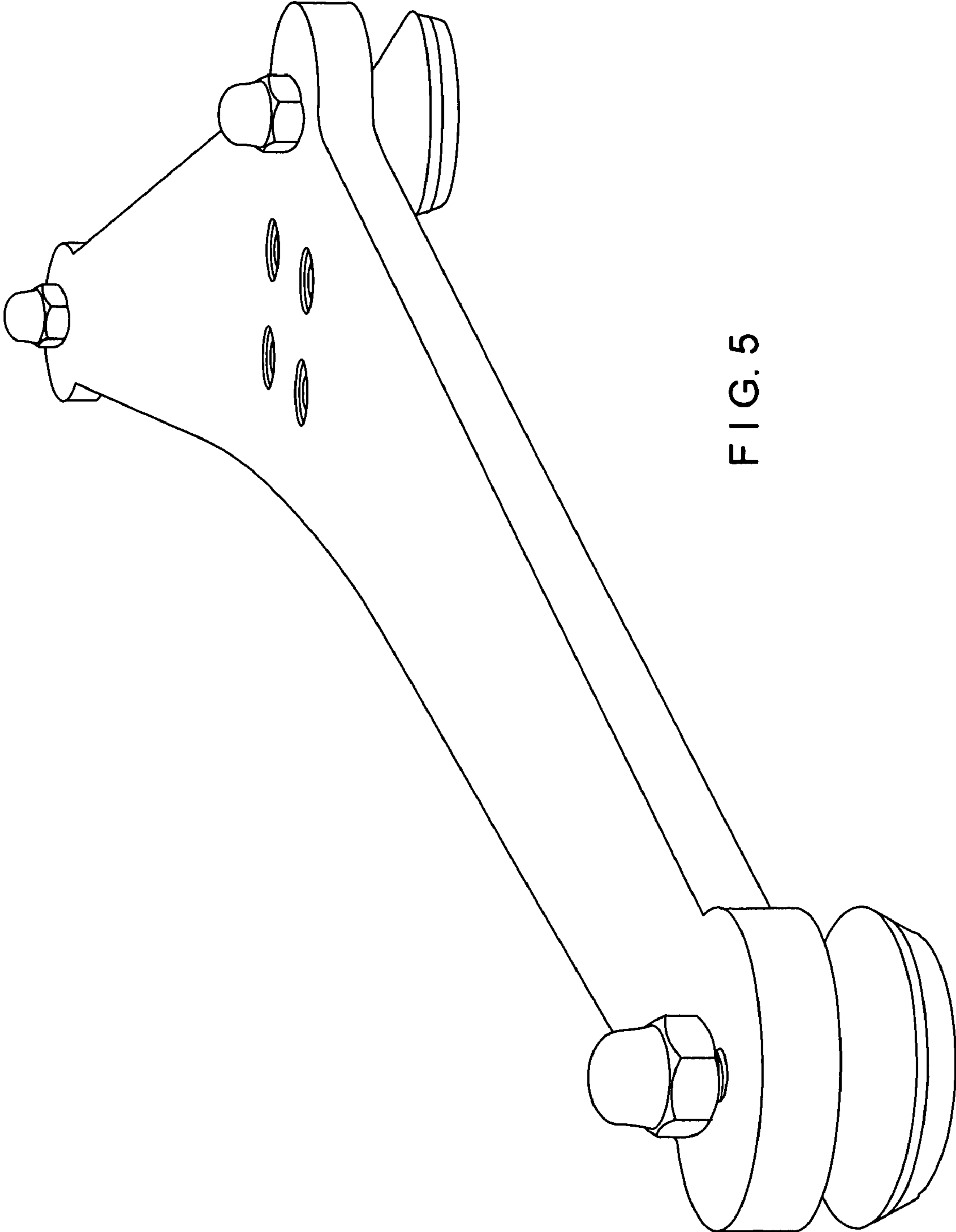


FIG. 5

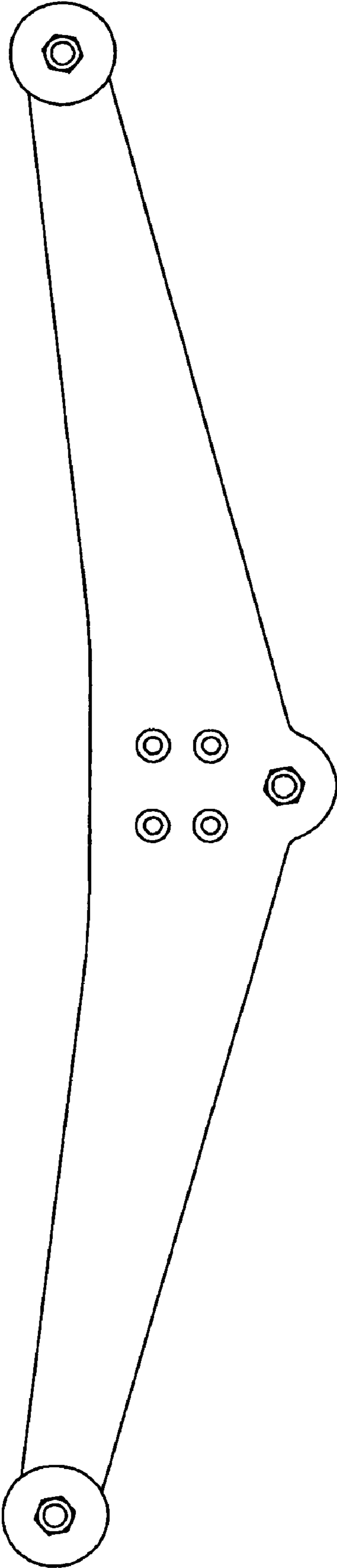


FIG. 6