



US00D569661S

(12) **United States Design Patent** (10) **Patent No.:** **US D569,661 S**
Domack et al. (45) **Date of Patent:** **** May 27, 2008**

(54) **DINING TABLE BASE**

D531,432 S * 11/2006 Domack et al. D6/480

(75) Inventors: **Randy D. Domack**, Trempealeau, WI (US); **Terry A. Everson**, Blair, WI (US)

(73) Assignee: **Ashley Furniture Industries, Inc.**, Arcadia, WI (US)

(**) Term: **14 Years**

(21) Appl. No.: **29/266,283**

(22) Filed: **Sep. 18, 2006**

(51) **LOC (8) Cl.** **06-03**

(52) **U.S. Cl.** **D6/484**

(58) **Field of Classification Search** D6/480-489, D6/495-499, 511, 477; 108/150, 151, 153.1, 108/155, 156, 157.1, 161; 248/188, 188.1, 248/188.7, 188.8

See application file for complete search history.

(56) **References Cited**

U.S. PATENT DOCUMENTS

- D81,749 S * 8/1930 Kandel D6/480
- D283,863 S * 5/1986 Bergelin D6/477
- D287,798 S 1/1987 Venturi
- D423,255 S * 4/2000 O'Hare D6/484
- D451,711 S 12/2001 O'Hare et al.
- D470,343 S 2/2003 Stanton
- D486,326 S * 2/2004 Wanek et al. D6/480
- D502,620 S 3/2005 McDaniel
- D506,890 S 7/2005 McDaniel
- D523,262 S * 6/2006 Mohundro D6/480

OTHER PUBLICATIONS

“Serengeti” TM T488-8-3-4, Ashley Furniture Industries, Inc., Product Photography, vol. 6, Series 1 2004.

“Orleans Forge” D525-15B, p. 381. Ashley Furniture Industries, Inc., Product Photography, vol. 6, Series 1. Arcadia, Wisconsin, U.S.A. 2004.

“Market Place” D400-16T-18B-02(4), p. 118. Ashley Furniture Industries, Inc., Product Photography, vol. 5, Series 1. Arcadia, Wisconsin, U.S.A. Spring 2003.

“Dalton” T336-8-2-4, p. 191. Ashley Furniture Industries, Inc., Product Photography, vol. 5, Series 1. Arcadia, Wisconsin, U.S.A. Spring 2003.

* cited by examiner

Primary Examiner—Janice E. Seeger

(74) *Attorney, Agent, or Firm*—Patterson, Thuente, Skaar & Christensen, P.A.

(57) **CLAIM**

We claim the ornamental design for a dining table base, as shown and described.

DESCRIPTION

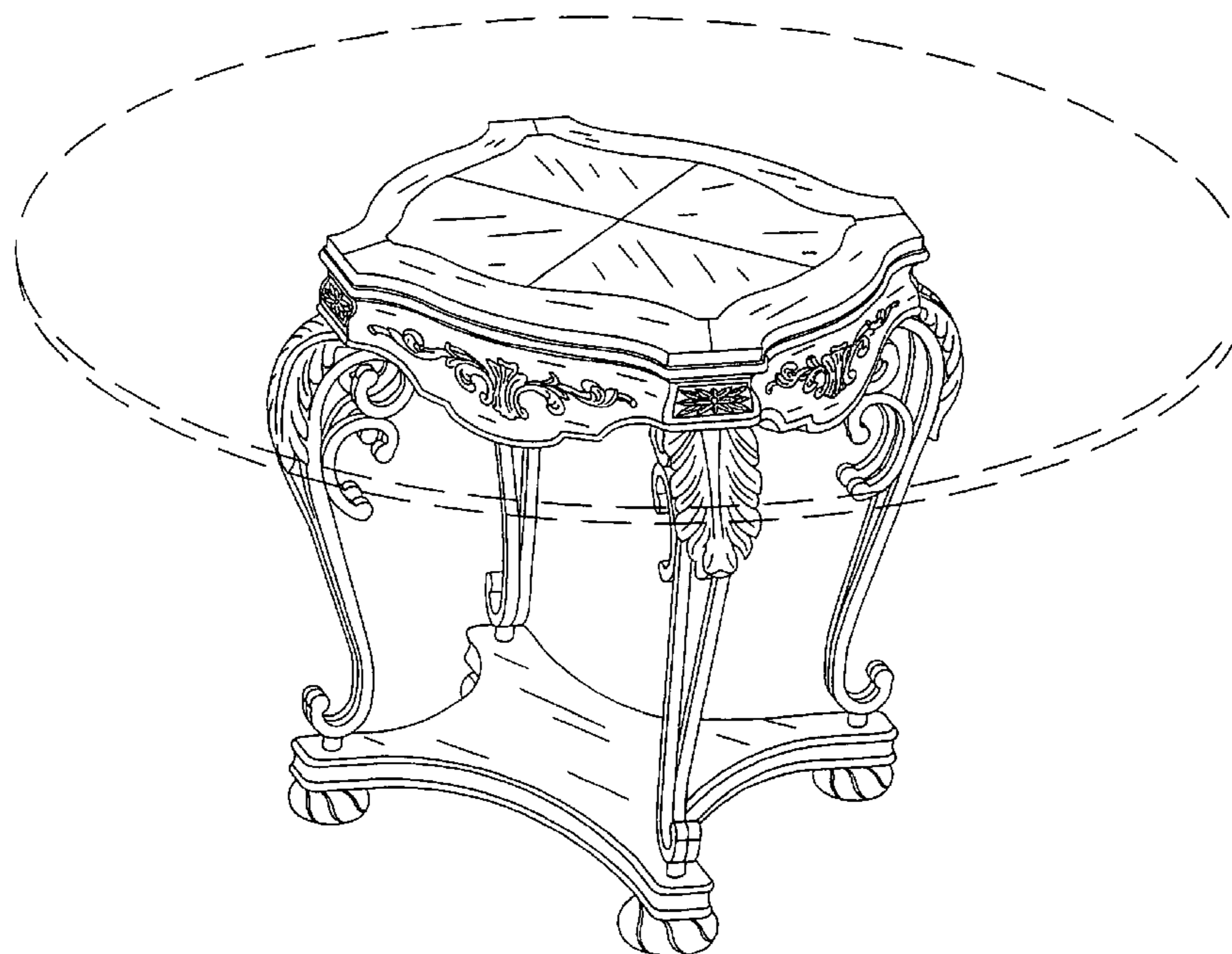
FIG. 1 is a perspective view of a dining table base according to an embodiment of the invention.

FIG. 2 is an overhead view of a dining table base according to an embodiment of the invention; and,

FIG. 3 is a side view of a dining table base according to an embodiment of the invention.

The dashed lines showing the table top are for illustrative purposes only, and form no part of the claimed design.

1 Claim, 2 Drawing Sheets



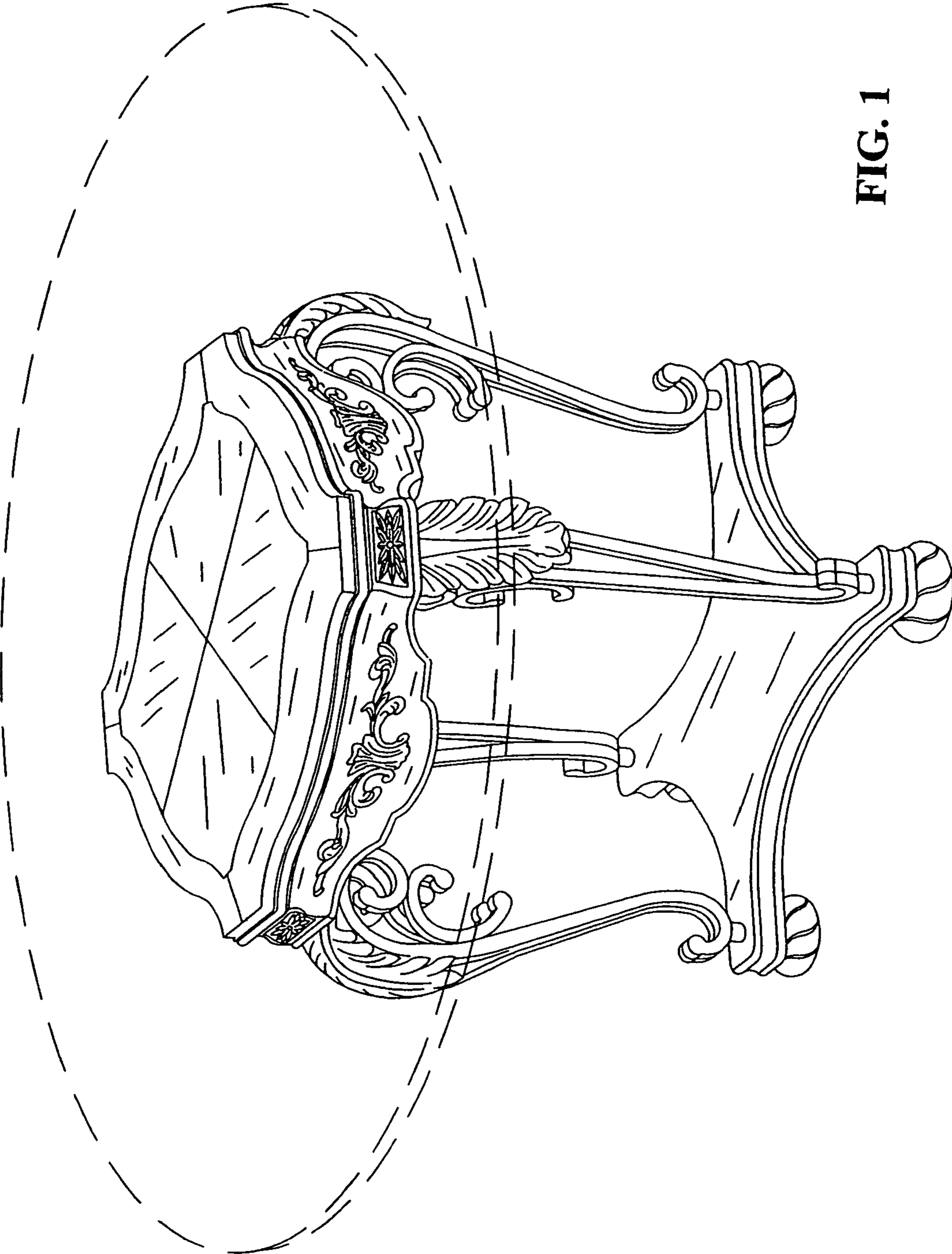


FIG. 1

FIG. 2

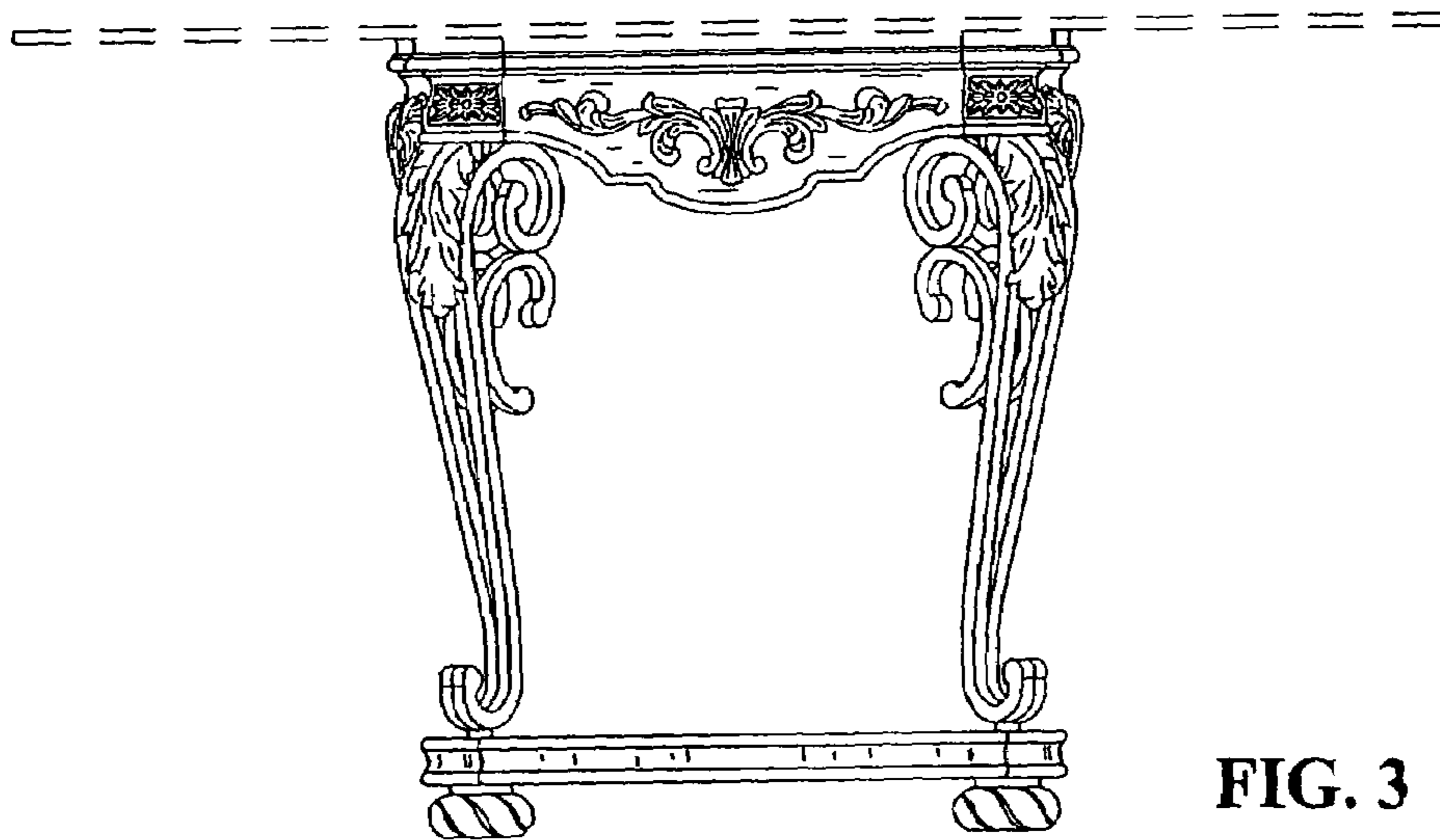
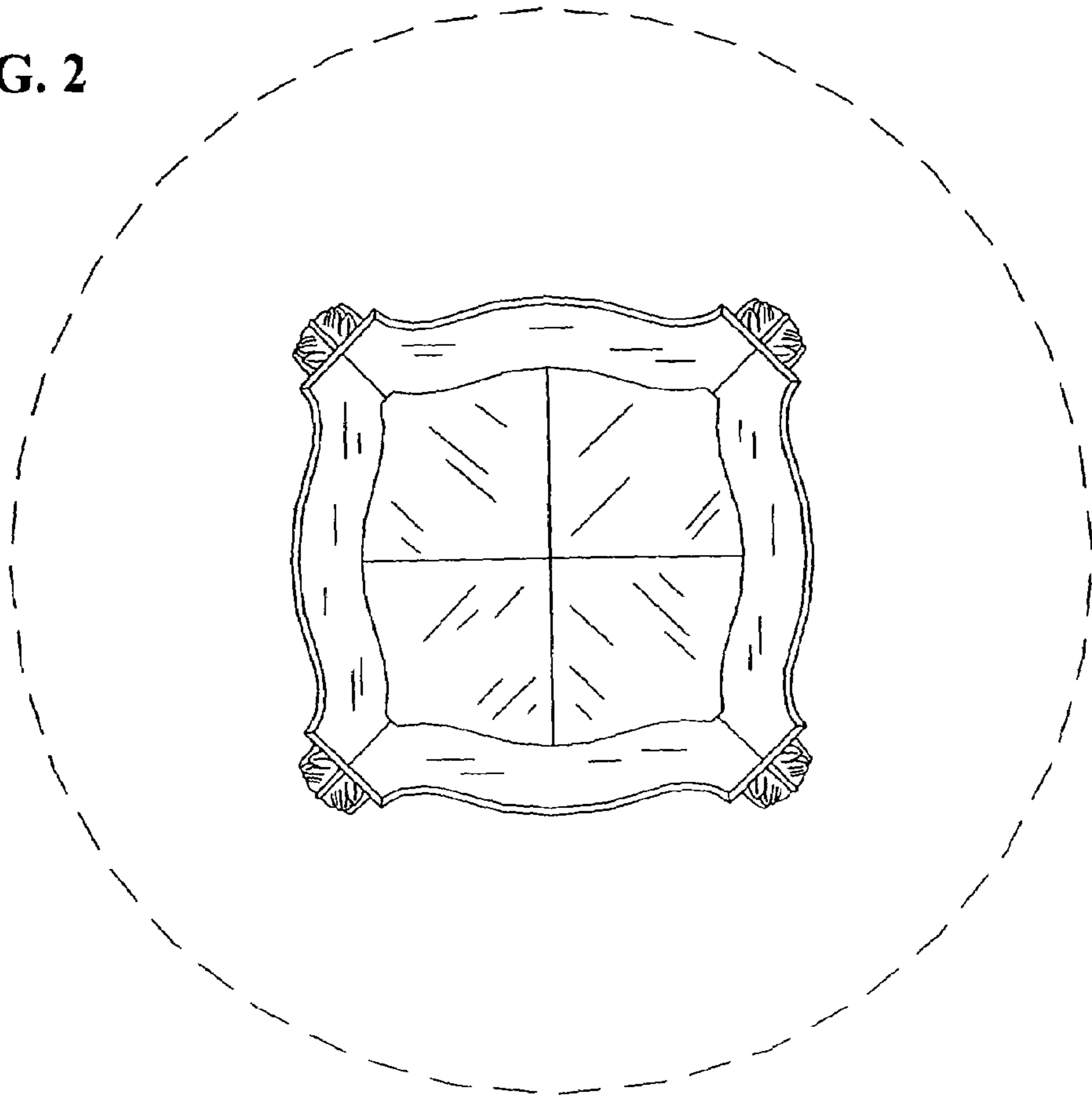


FIG. 3