



US00D569659S

(12) **United States Design Patent** (10) **Patent No.:** **US D569,659 S**
Greiner (45) **Date of Patent:** **** May 27, 2008**

(54) **SWIVEL ORGANIZER**
(76) Inventor: **Lori Greiner**, 1301 Dearborn Pkwy., Suite 402, Chicago, IL (US) 60610
(**) Term: **14 Years**
(21) Appl. No.: **29/281,880**
(22) Filed: **Jul. 5, 2007**

D504,265 S 4/2005 Walker
D522,269 S 6/2006 Walker
D528,840 S 9/2006 Greiner
D530,118 S 10/2006 Del Castillo et al.
2005/0093405 A1 5/2005 Greiner

FOREIGN PATENT DOCUMENTS

GB 2345630 A 7/2000

OTHER PUBLICATIONS

U.S. Appl. No. 11/368,019, filed Mar. 3, 2006, Title "Swivel Organizer", Inventor Lori Greiner.
U.S. Appl. No. 11/610,170, filed Dec. 13, 2006, Title "Tri-Fold Mirror Swivel Organizer", Inventor Lori Greiner.

Primary Examiner—Elizabeth A Albert
Assistant Examiner—Kelley A Donnelly
(74) *Attorney, Agent, or Firm*—Fredrikson & Byron, P.A.

Related U.S. Application Data

(62) Division of application No. 29/263,540, filed on Jul. 25, 2006.

(51) **LOC (8) Cl.** **06-04**
(52) **U.S. Cl.** **D6/470**
(58) **Field of Classification Search** D6/438, D6/448, 470, 455, 479, 559; 312/114, 204, 312/224, 278–279, 321.5; 108/103; 211/95, 211/163, 85.2

See application file for complete search history.

(57) **CLAIM**

I claim the ornamental design for a swivel organizer, as shown and described.

(56) **References Cited**

U.S. PATENT DOCUMENTS

D165,833 S 2/1952 Gaither
D233,087 S 10/1974 Martin
4,058,356 A 11/1977 Michal
4,300,809 A 11/1981 Brownlee
4,463,856 A 8/1984 Strasser
4,753,495 A 6/1988 Swink
4,884,655 A 12/1989 Freadman et al.
D319,154 S 8/1991 Powell
D319,155 S 8/1991 Powell
5,243,434 A 9/1993 Nodama
D368,583 S 4/1996 Sharer et al.
5,542,758 A 8/1996 Brown
D377,278 S 1/1997 Putterman et al.
D383,278 S 9/1997 Jennings
D387,236 S 12/1997 Madonna
D403,530 S 1/1999 Lin
5,870,858 A 2/1999 Manuel
6,042,077 A 3/2000 Shoemith
D436,481 S 1/2001 Harwanko
D483,964 S 12/2003 Bates
D489,197 S 5/2004 Harwanko
D492,857 S 7/2004 Harwanko
D501,100 S 1/2005 Walker

DESCRIPTION

FIG. 1 is a perspective view of my new design for a swivel organizer;
FIG. 2 is a side perspective view thereof with both doors closed, the other side perspective view being a mirror image of that shown;
FIG. 3 is a side perspective view thereof with both doors open;
FIG. 4 is an opposite side perspective view thereof with both doors open;
FIG. 5 is a rear elevation view thereof, the front elevational view being a mirror image of that shown;
FIG. 6 is a side elevation view thereof, the other side elevation view is a mirror image of that shown;
FIG. 7 is top plan view thereof; and,
FIG. 8 is a bottom plan view thereof.

1 Claim, 7 Drawing Sheets

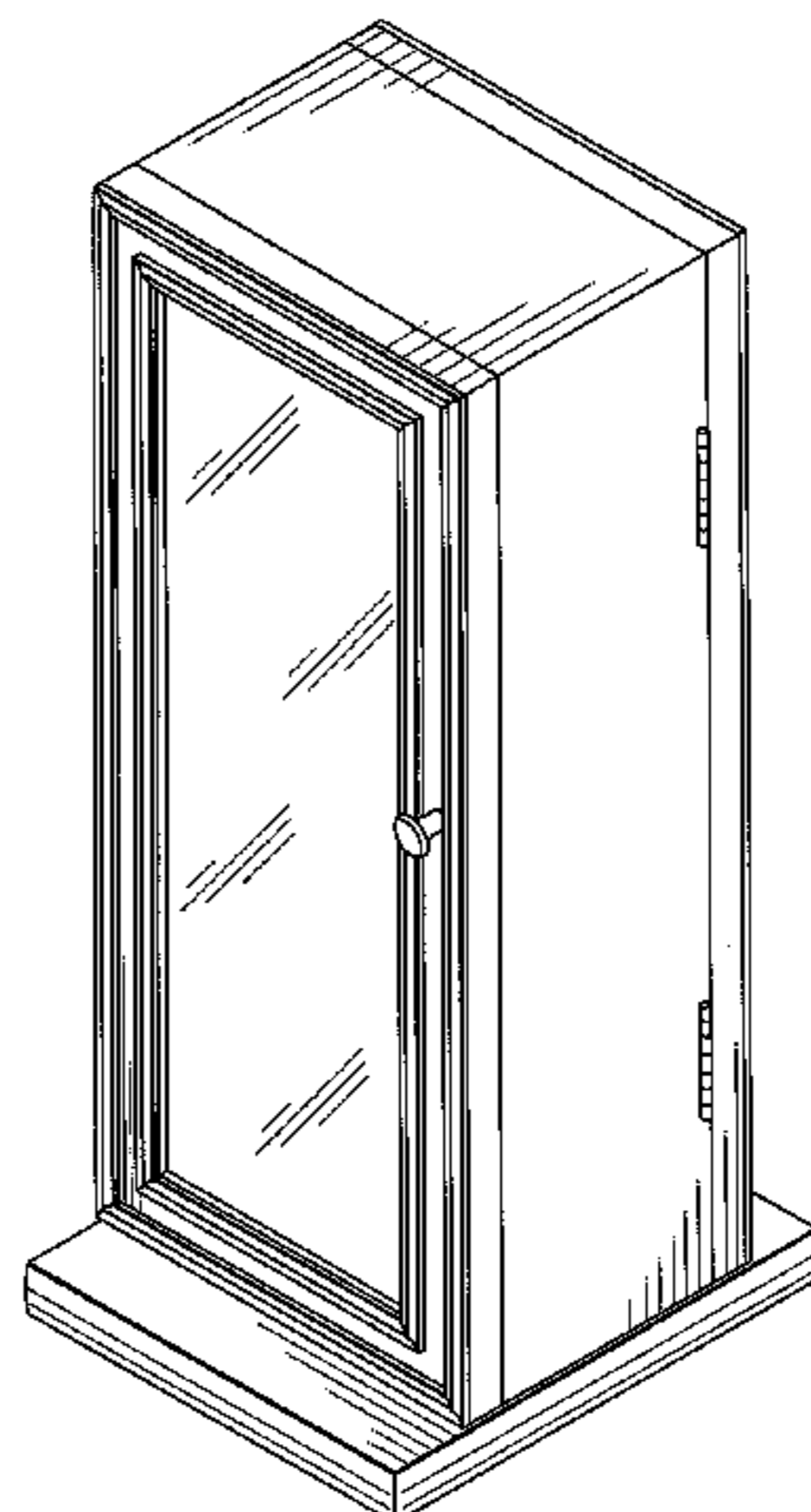


Fig. 1

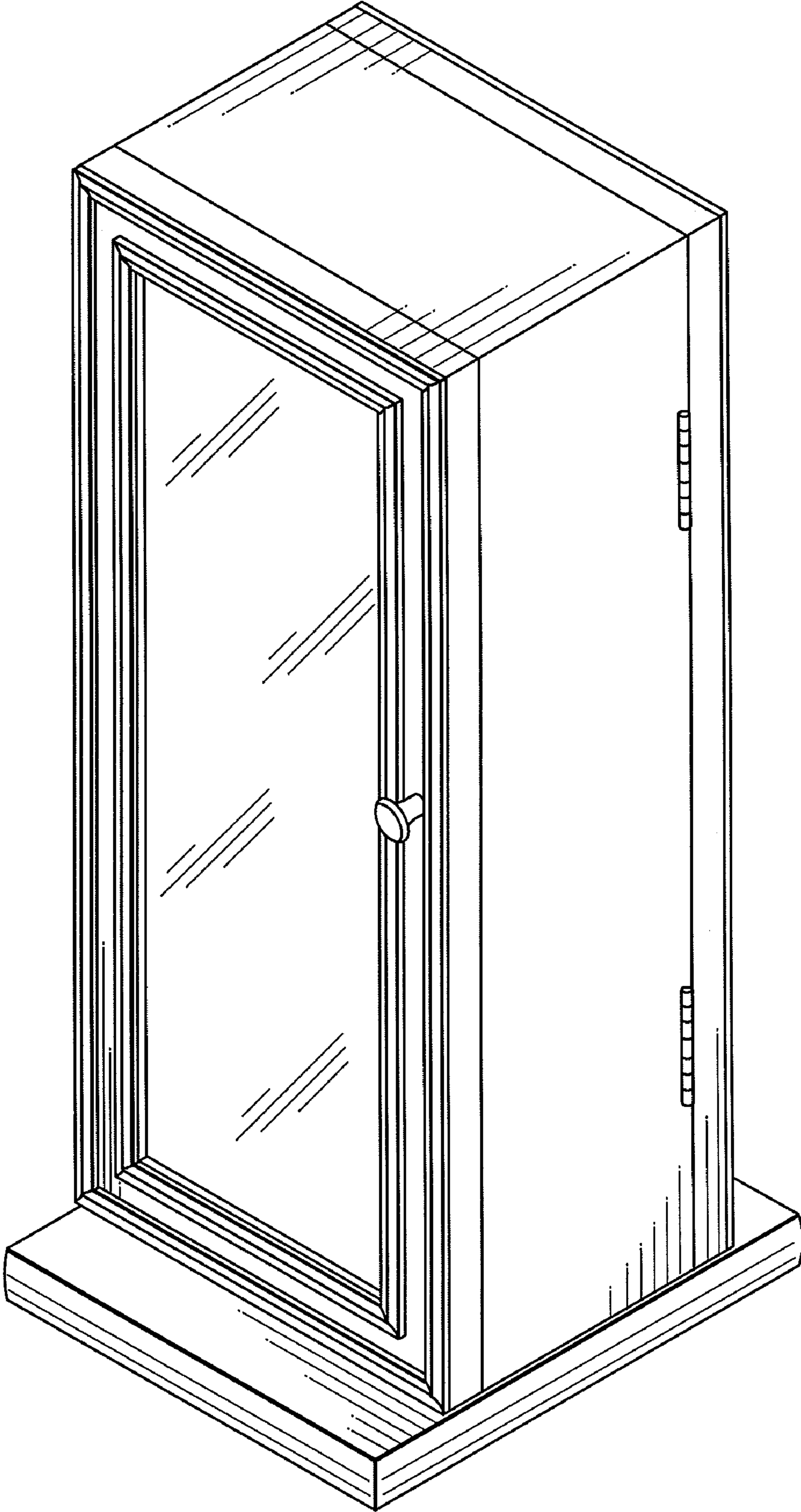


Fig. 2

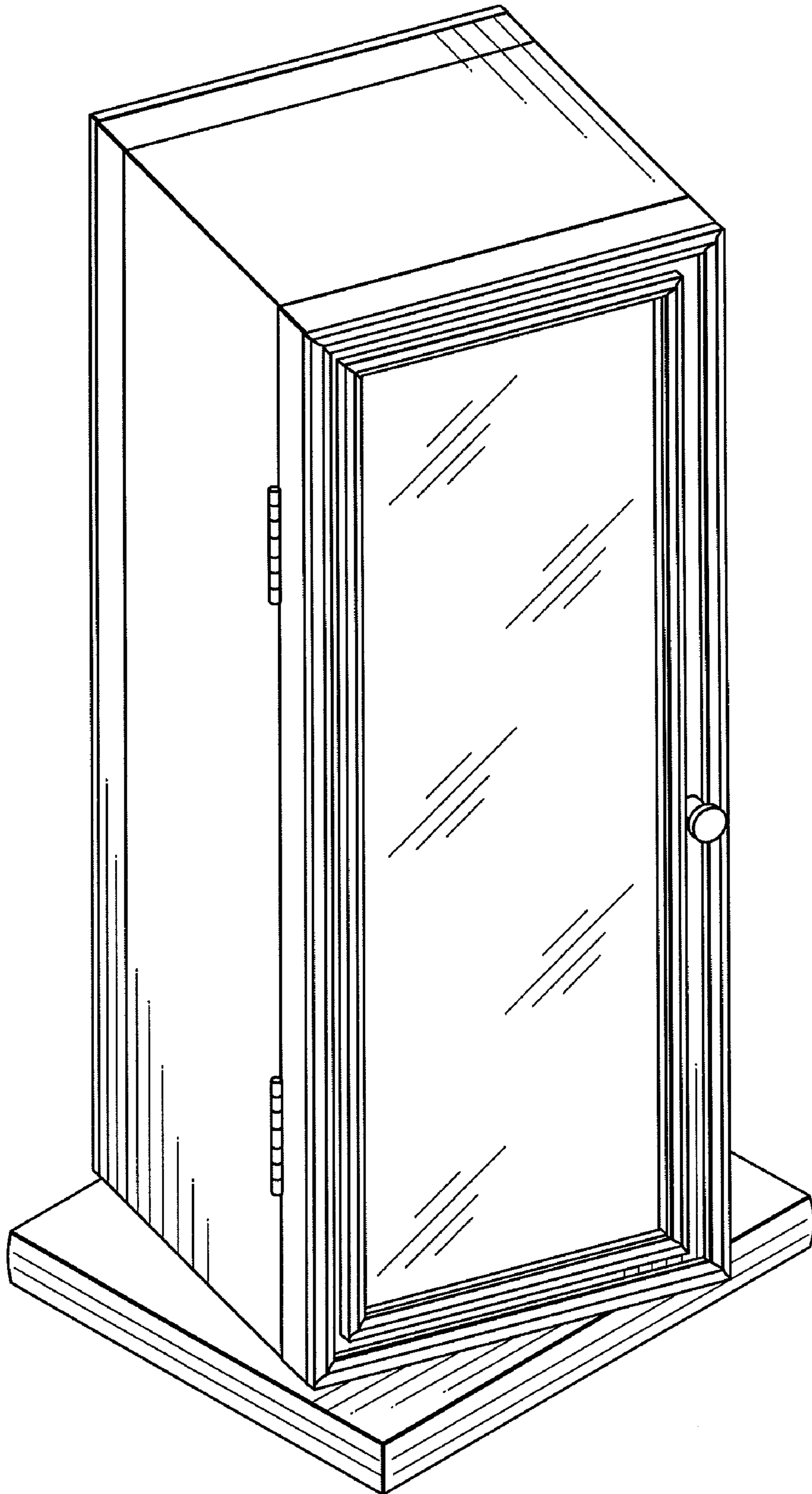


Fig. 3

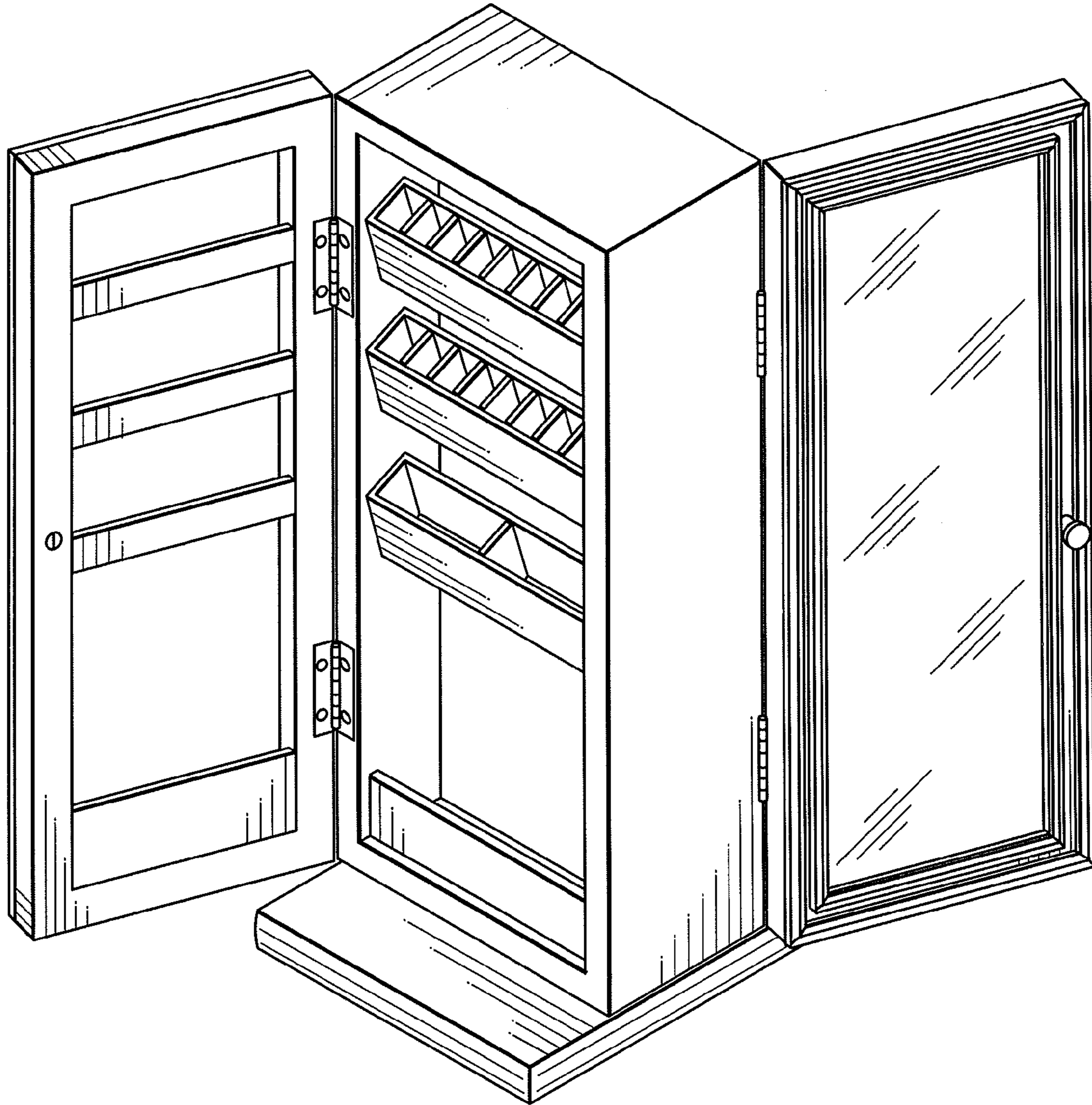


Fig. 4

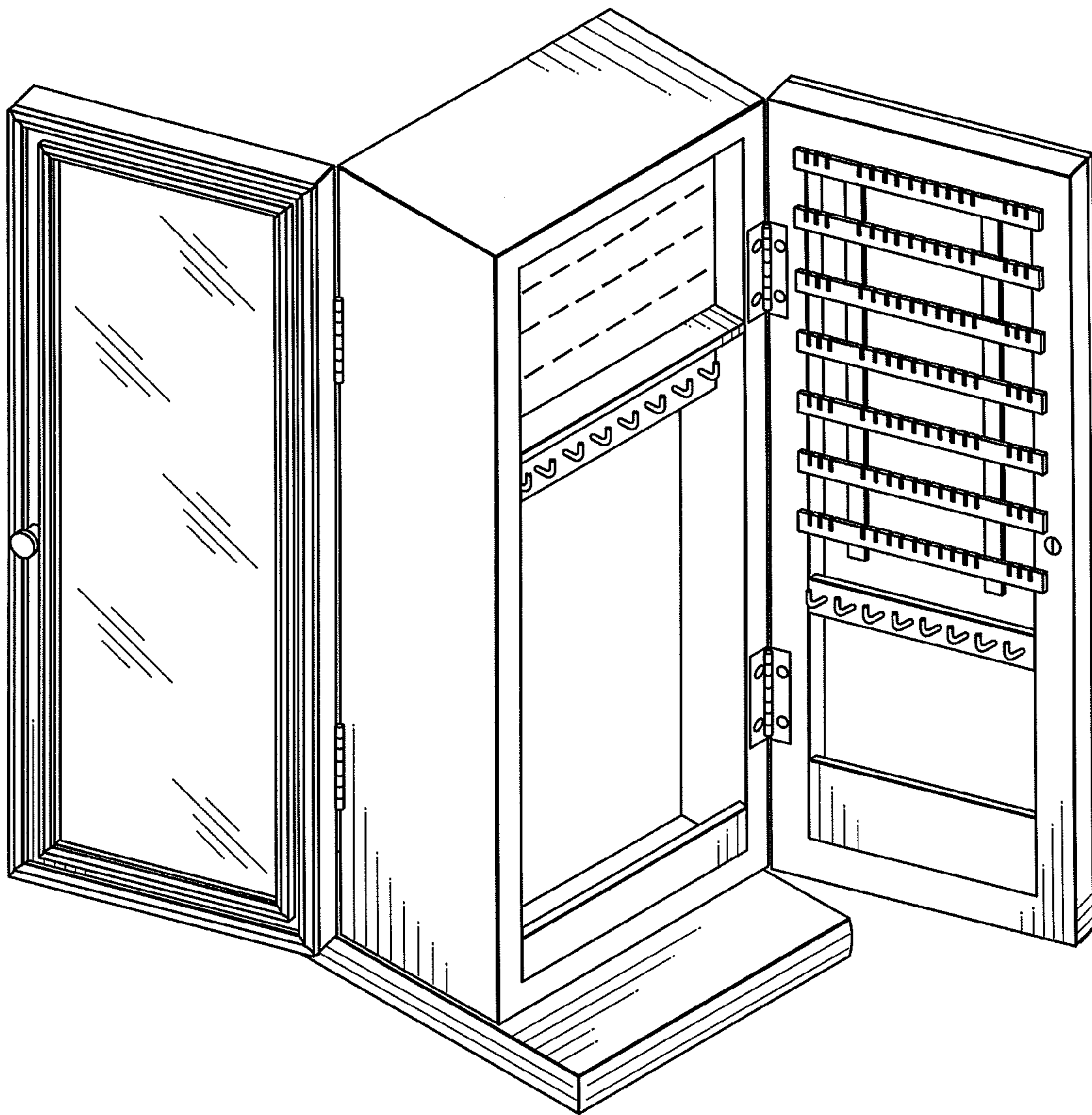


Fig. 5

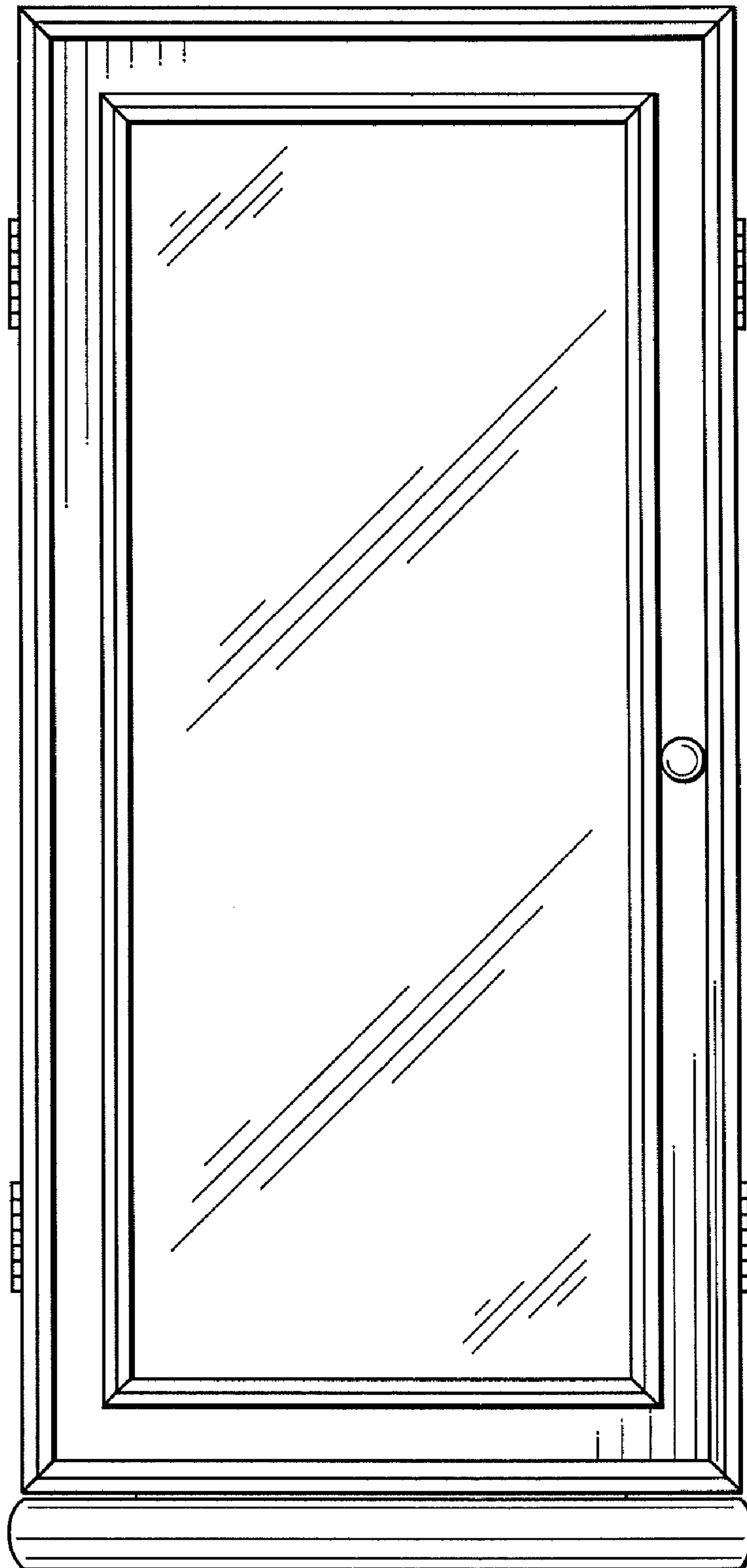


Fig. 6

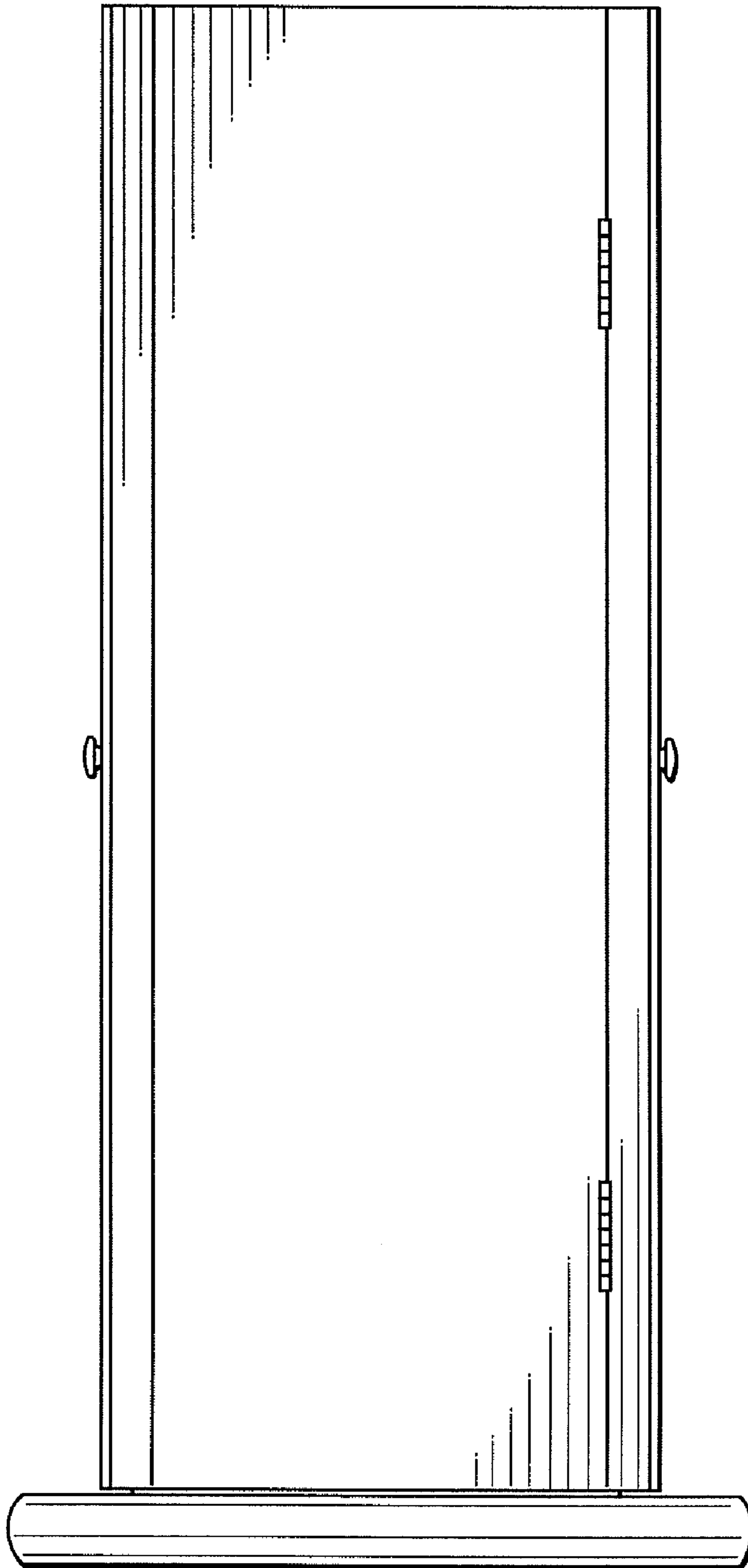


Fig. 7

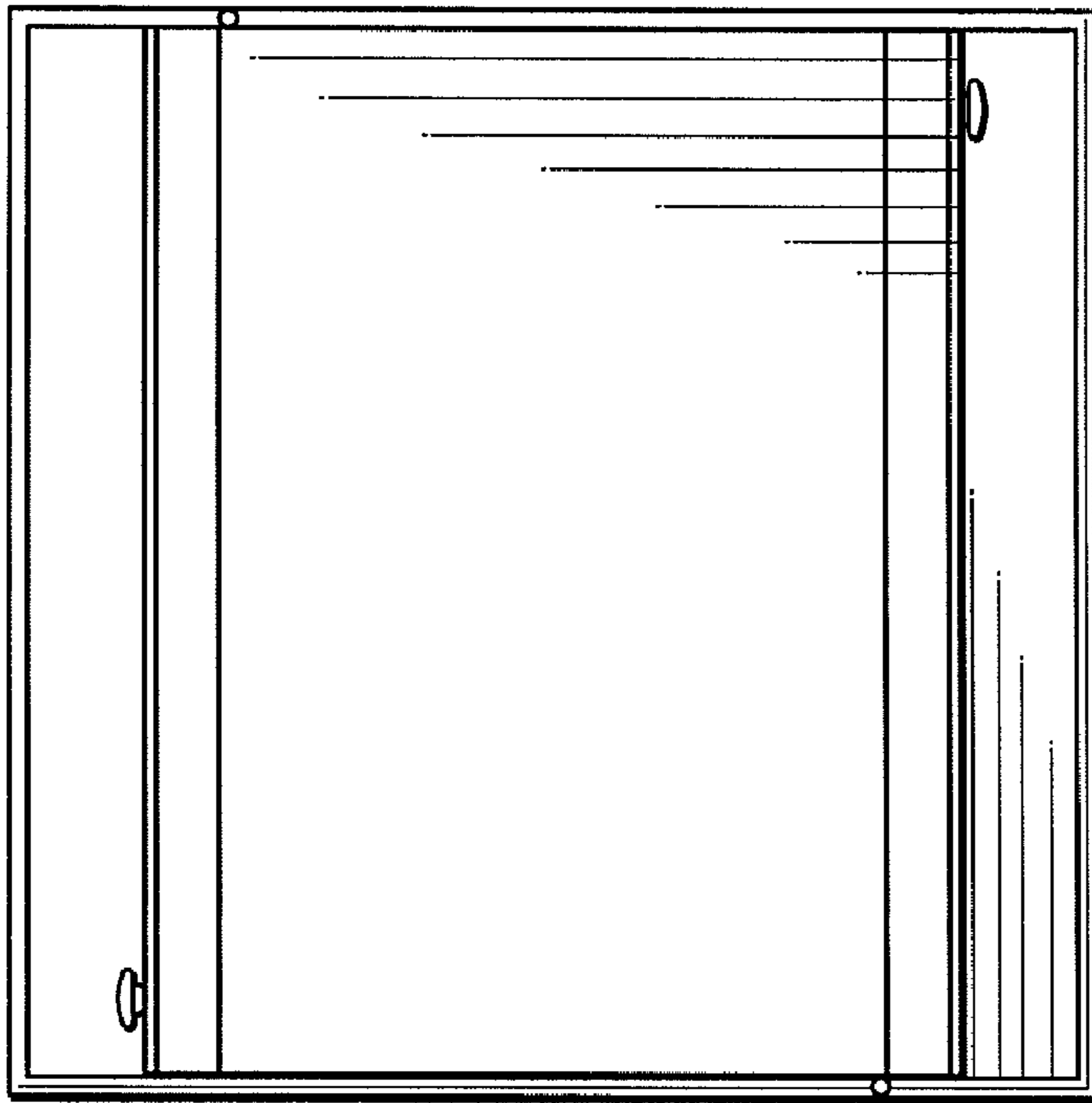


Fig. 8

