



US00D569656S

(12) **United States Design Patent**
Musick

(10) **Patent No.:** **US D569,656 S**

(45) **Date of Patent:** **** May 27, 2008**

(54) **HOLDER STAND FOR MOTORCYCLE BAGS**

(76) Inventor: **Don Musick**, 19676 E. 75th St. North,
Owasso, OK (US) 74055

(**) Term: **14 Years**

(21) Appl. No.: **29/246,730**

(22) Filed: **May 5, 2006**

(51) **LOC (8) Cl.** **06-04**

(52) **U.S. Cl.** **D6/462**

(58) **Field of Classification Search** D6/545,
D6/566, 462, 496, 468, 396, 397, 574; D8/373,
D8/349, 71; D14/224, 244; 211/87.01, 59.2,
211/59.3, 74, 88.01, 184, 181.1, 151; D21/658,
D21/334; 446/73; 248/451-453, 465.1,
248/121, 126, 153, 175, 176.1, 309.1
See application file for complete search history.

(56) **References Cited**

U.S. PATENT DOCUMENTS

2,813,602 A	11/1957	MacArthur, Jr.	
3,315,819 A	4/1967	Kingsbery	
D247,034 S *	1/1978	Brodmann	D14/224
D247,035 S *	1/1978	Brodmann	D14/224
D247,036 S *	1/1978	Brodmann	D14/224
D277,717 S *	2/1985	Petrick	D6/495
D284,122 S	6/1986	Kizen	
D288,509 S *	3/1987	van de Oudeweetering	D6/496
D293,397 S *	12/1987	Hunt	D6/429
D318,672 S *	7/1991	Derain	D14/224
5,050,744 A	9/1991	Floyd	
5,085,329 A	2/1992	Crowell et al.	
5,165,553 A	11/1992	Benson	
6,053,384 A	4/2000	Bachman	
D429,922 S *	8/2000	Walker	D6/462
6,138,841 A	10/2000	Klein et al.	
D436,756 S	1/2001	Kashima	
D468,137 S *	1/2003	Ulmer	D6/496
6,547,114 B2	4/2003	Smith	

6,685,032 B2	2/2004	Kaufmann	
D495,531 S *	9/2004	Allshouse et al.	D6/468
6,892,992 B2	5/2005	Donahue	
2005/0161483 A1	7/2005	Krohn et al.	

* cited by examiner

Primary Examiner—Caron D. Veynar

Assistant Examiner—Sydney R Buffalow

(74) *Attorney, Agent, or Firm*—Head, Johnson & Kachigian

(57) **CLAIM**

The ornamental design for a holder stand for motorcycle bags, as shown and described.

DESCRIPTION

FIG. 1 is a perspective view of a holder stand for motorcycle bags constructed in accordance with the present invention;

FIG. 2 is a perspective view of a holder stand for motorcycle bags as shown in FIG. 1. The broken line showing of motorcycle bags, backrest and helmet are for illustrative purposes only and form no part of the claimed design;

FIG. 3 is a left side view of a holder stand for motorcycle bags as shown in FIG. 1;

FIG. 4 is a front view of a holder stand for motorcycle bags as shown in FIG. 1;

FIG. 5 is a right side view of a holder stand for motorcycle bags as shown in FIG. 1;

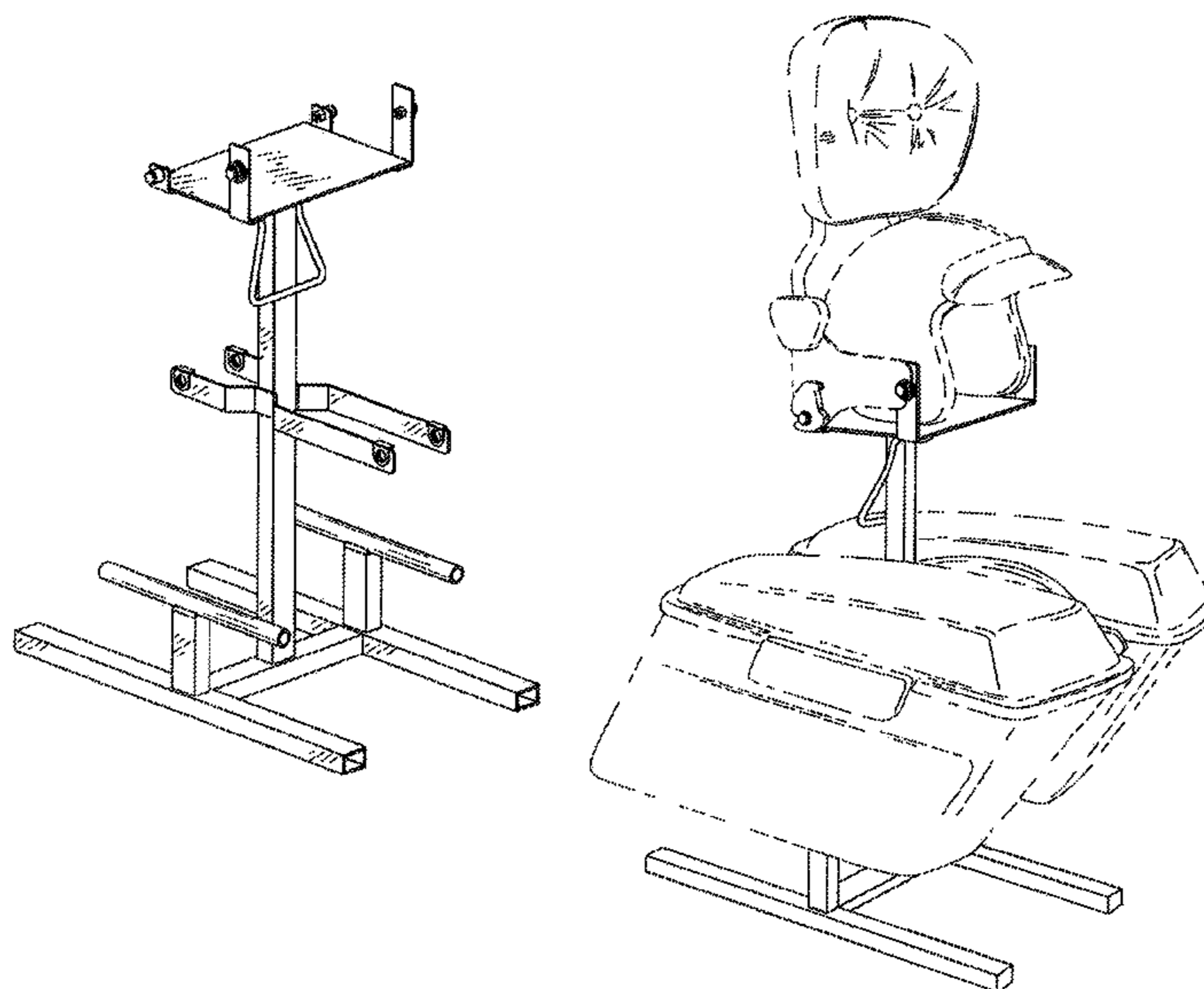
FIG. 6 is a rear view of a holder stand for motorcycle bags as shown in FIG. 1;

FIG. 7 is a top view of a holder stand for motorcycle bags as shown in FIG. 1;

FIG. 8 is a bottom view of a holder stand for motorcycle bags as shown in FIG. 1; and,

FIG. 9 is an exploded rear view of a holder stand for motorcycle bags as shown in FIG. 1.

1 Claim, 5 Drawing Sheets



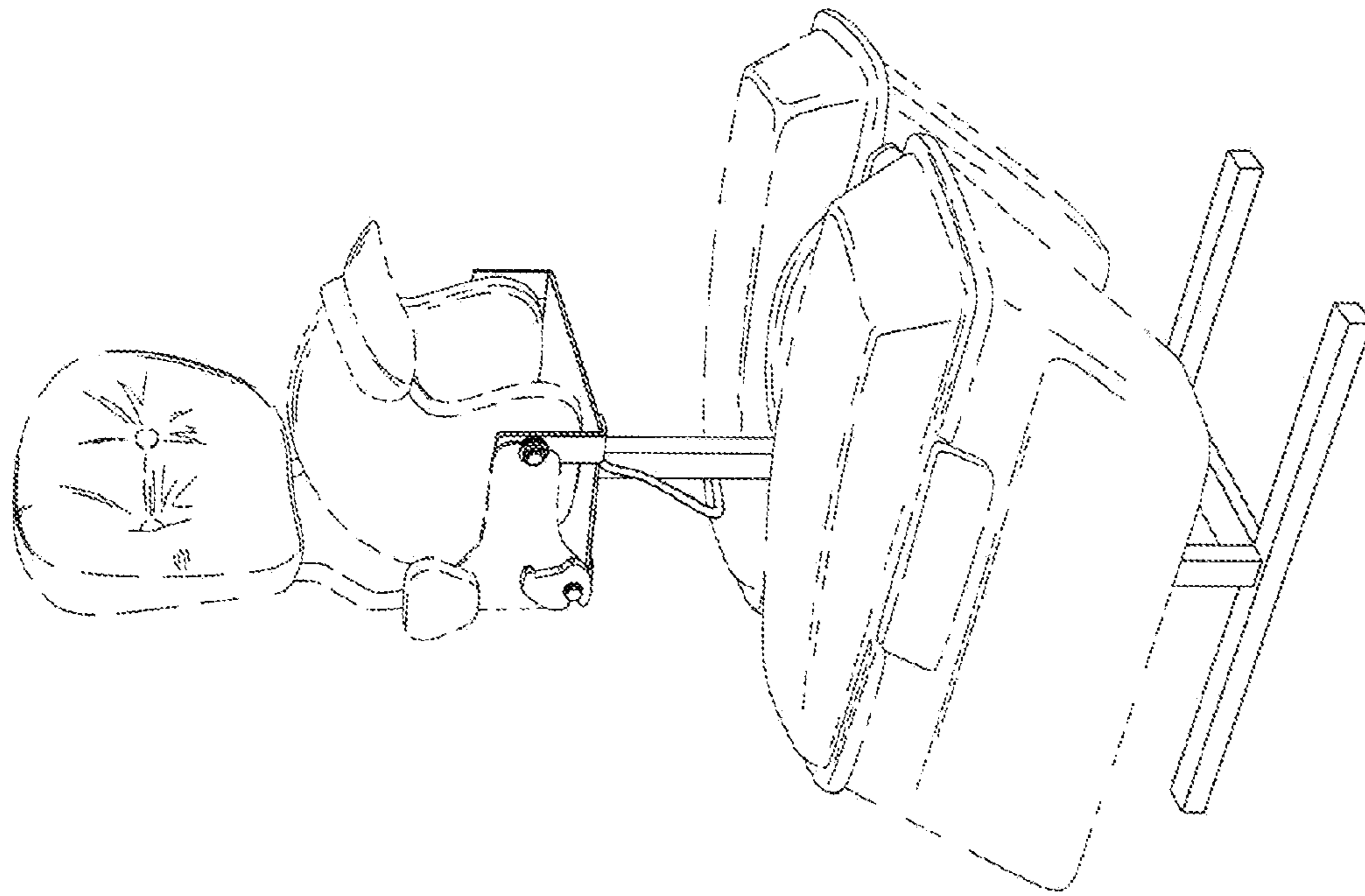


FIG. 2

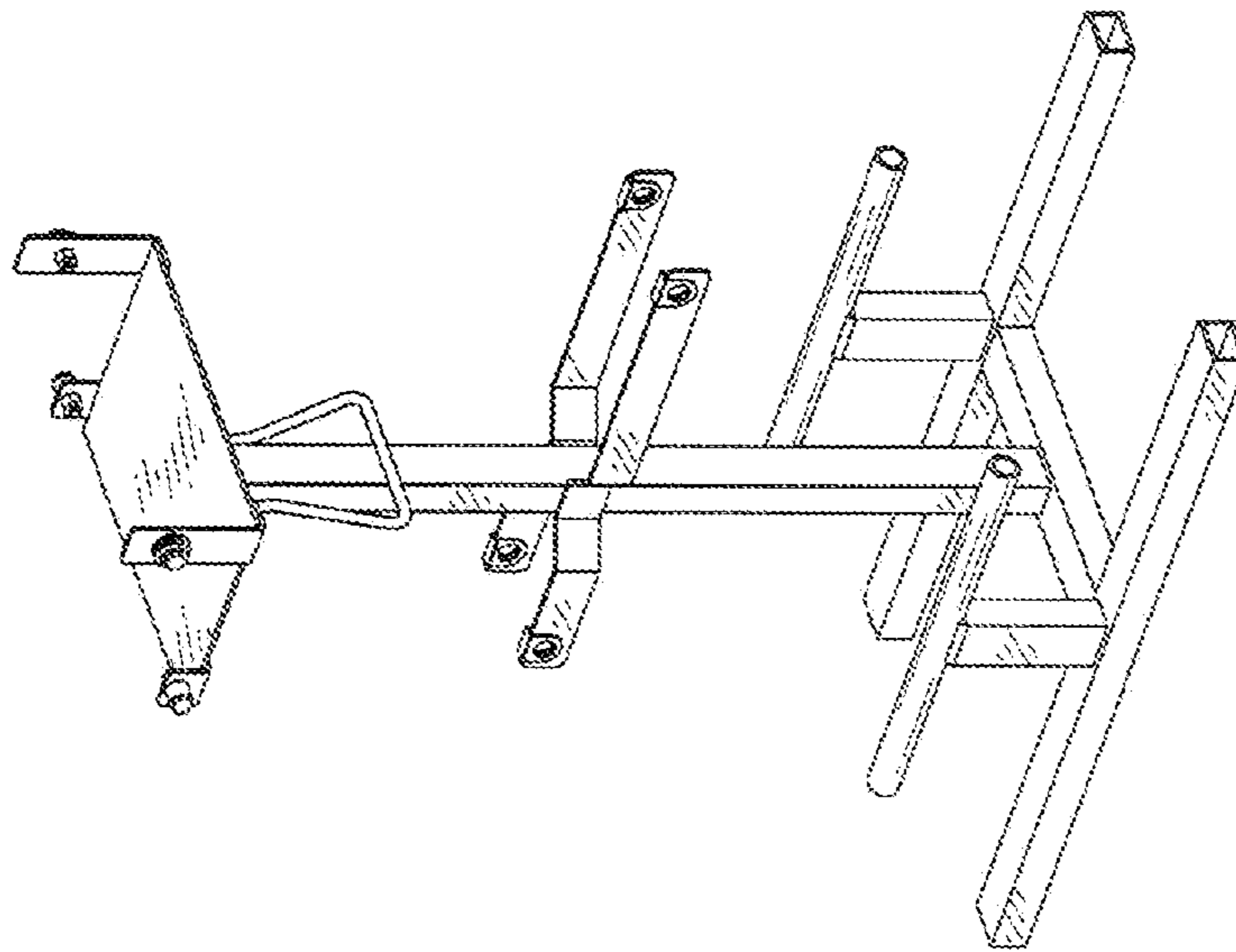


FIG. 1

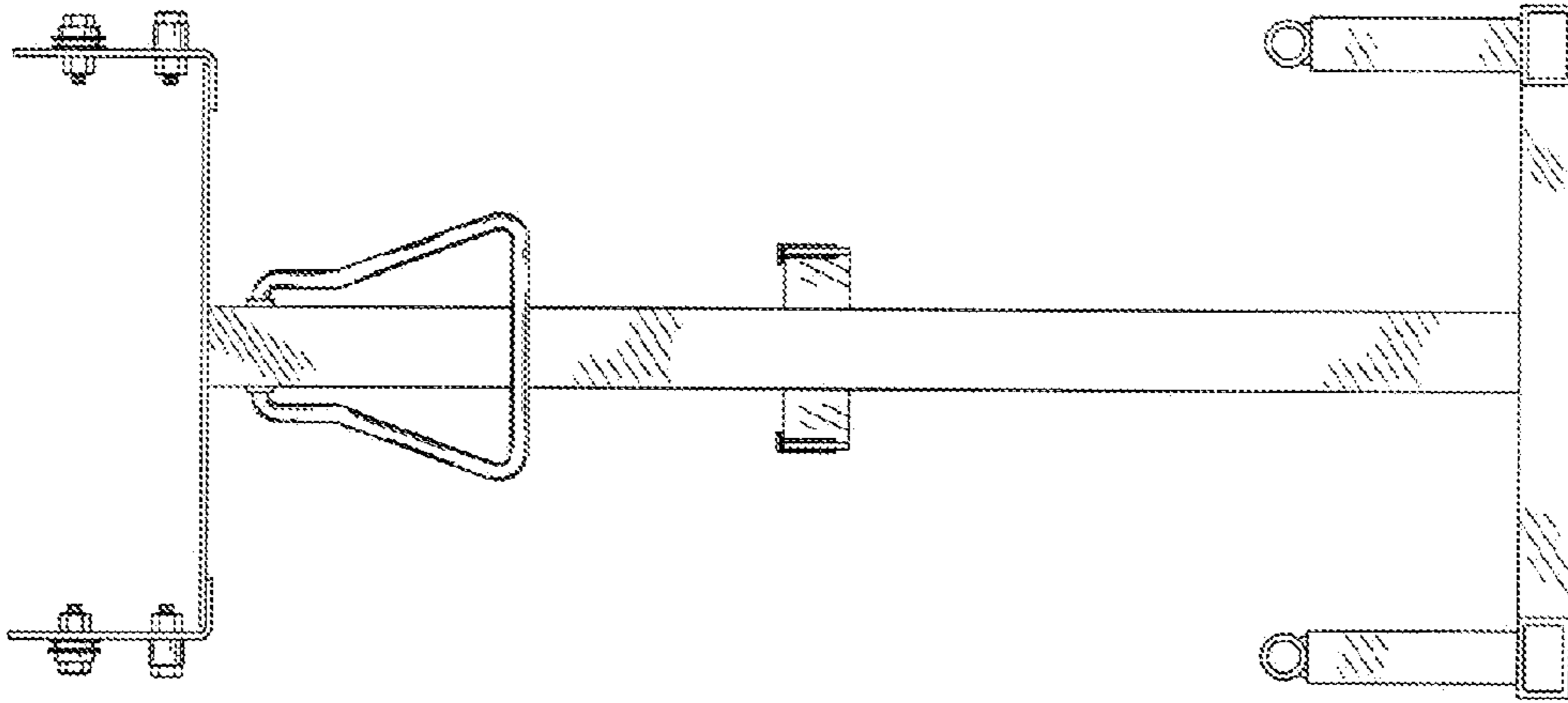


FIG. 4

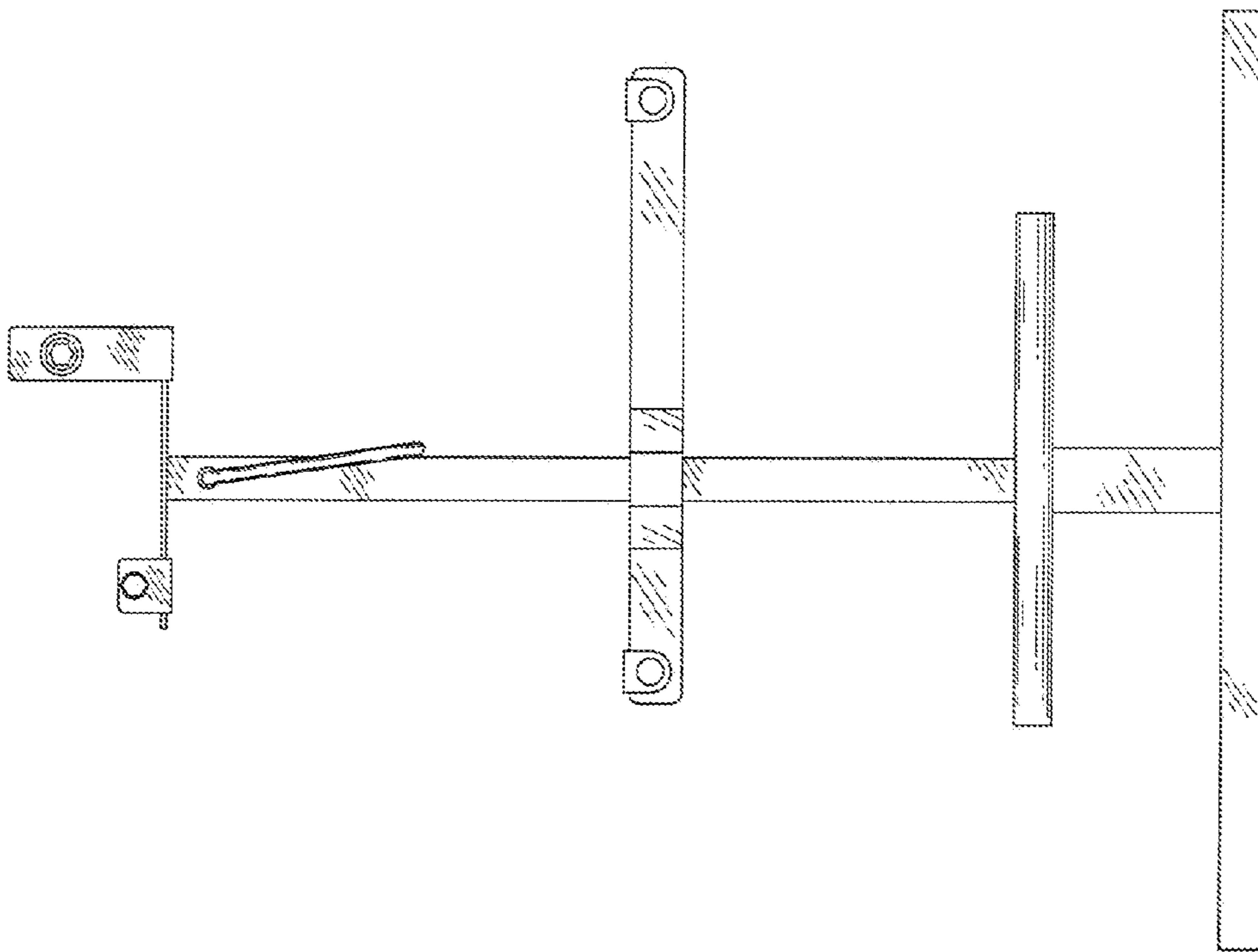


FIG. 3

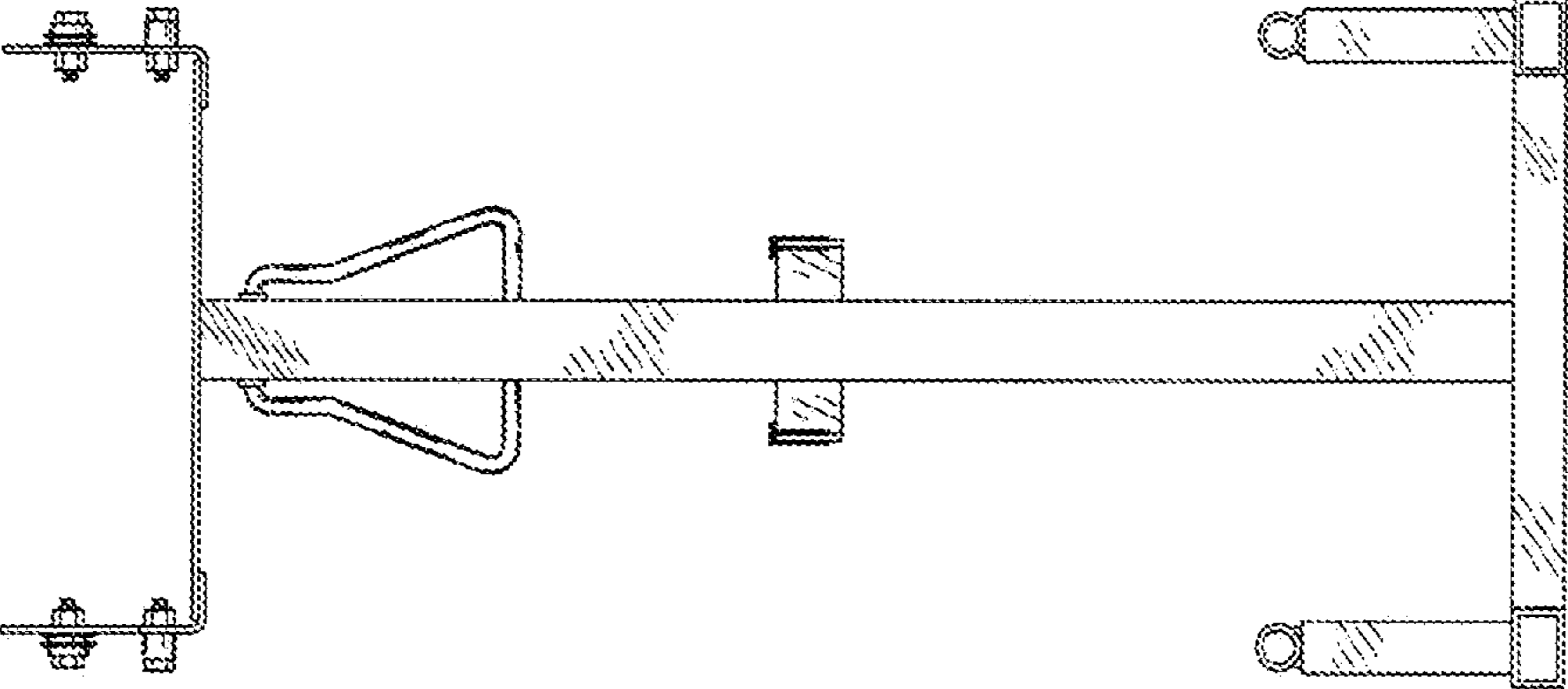


FIG. 5

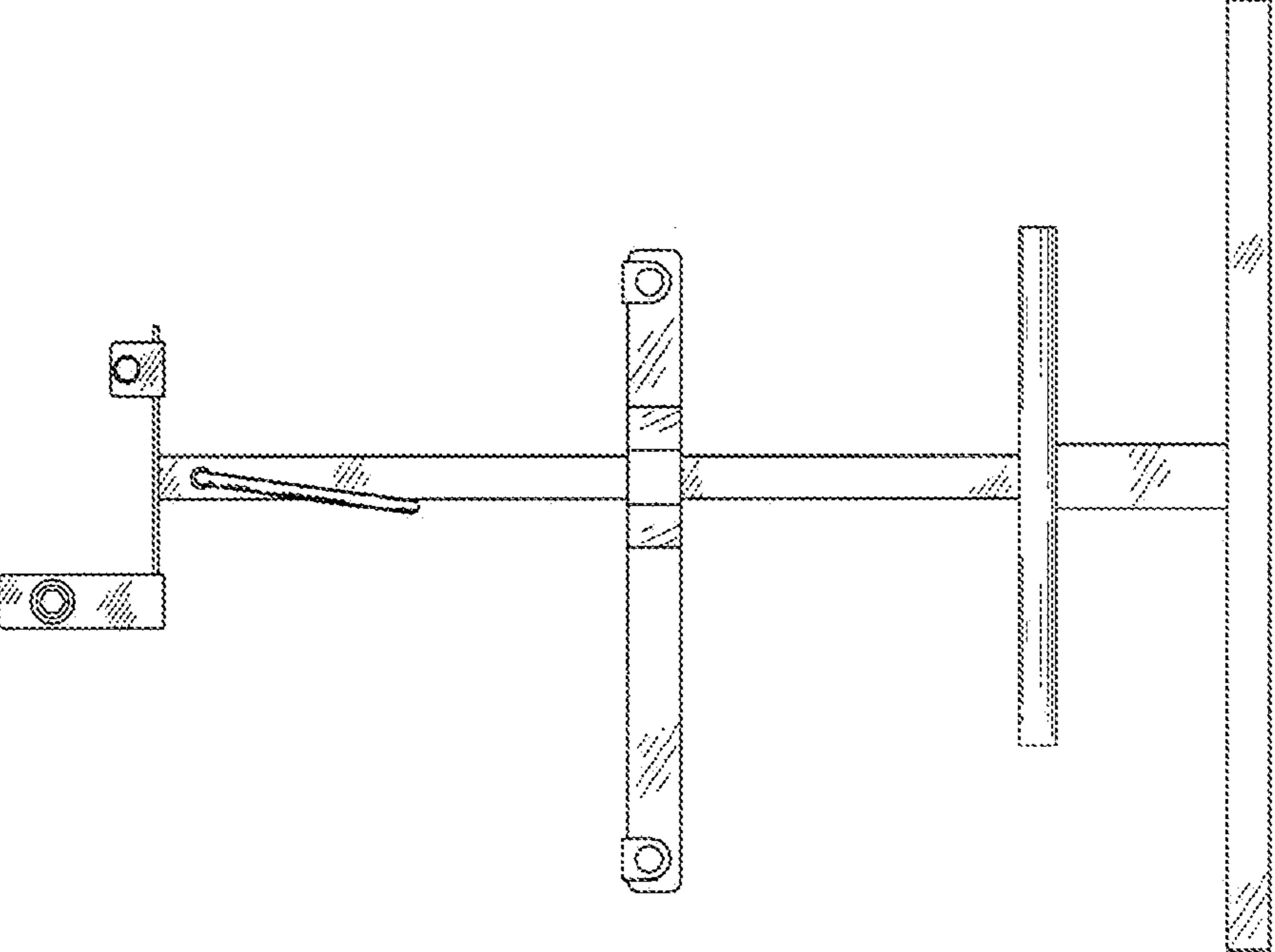


FIG. 6

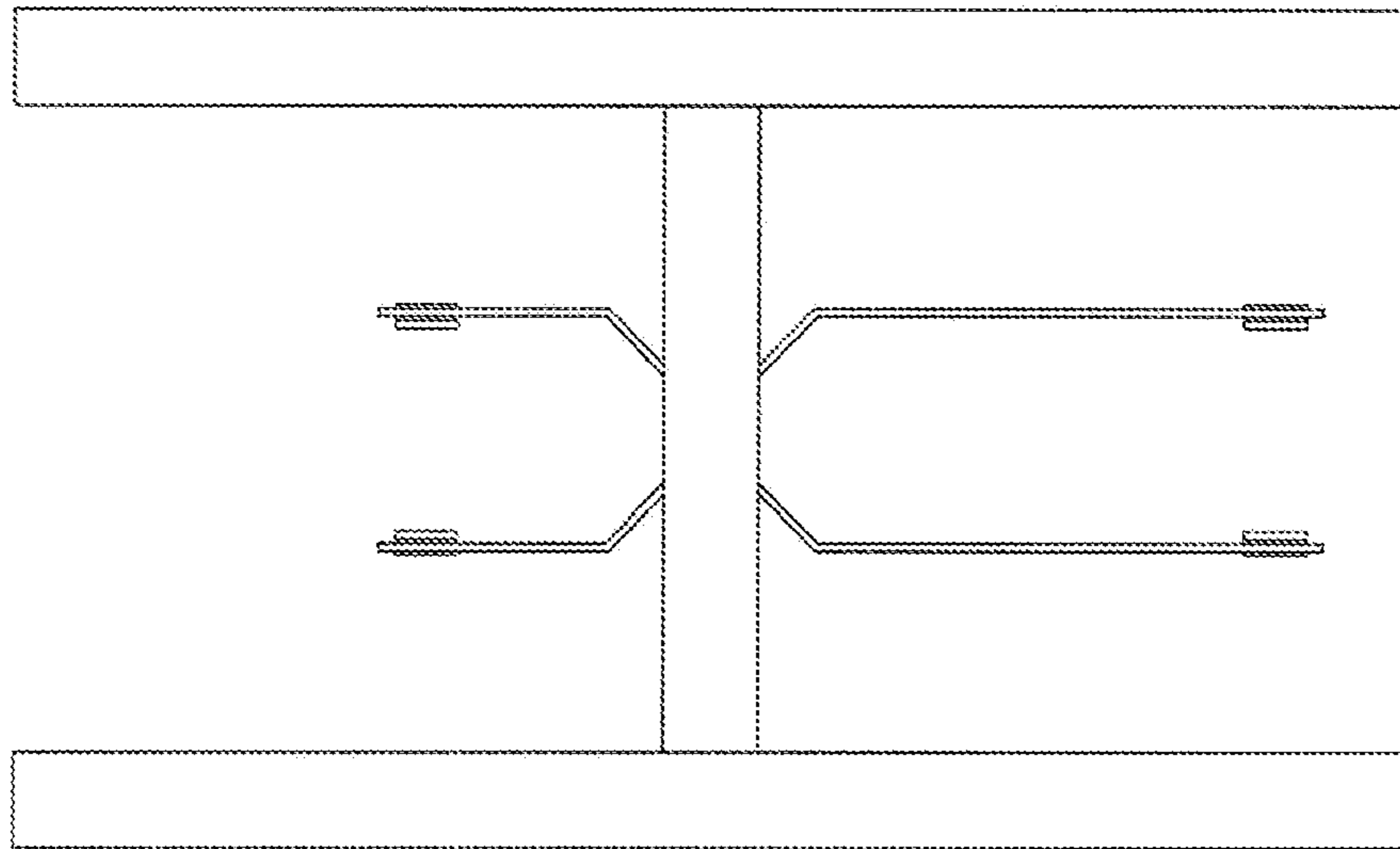


FIG. 8

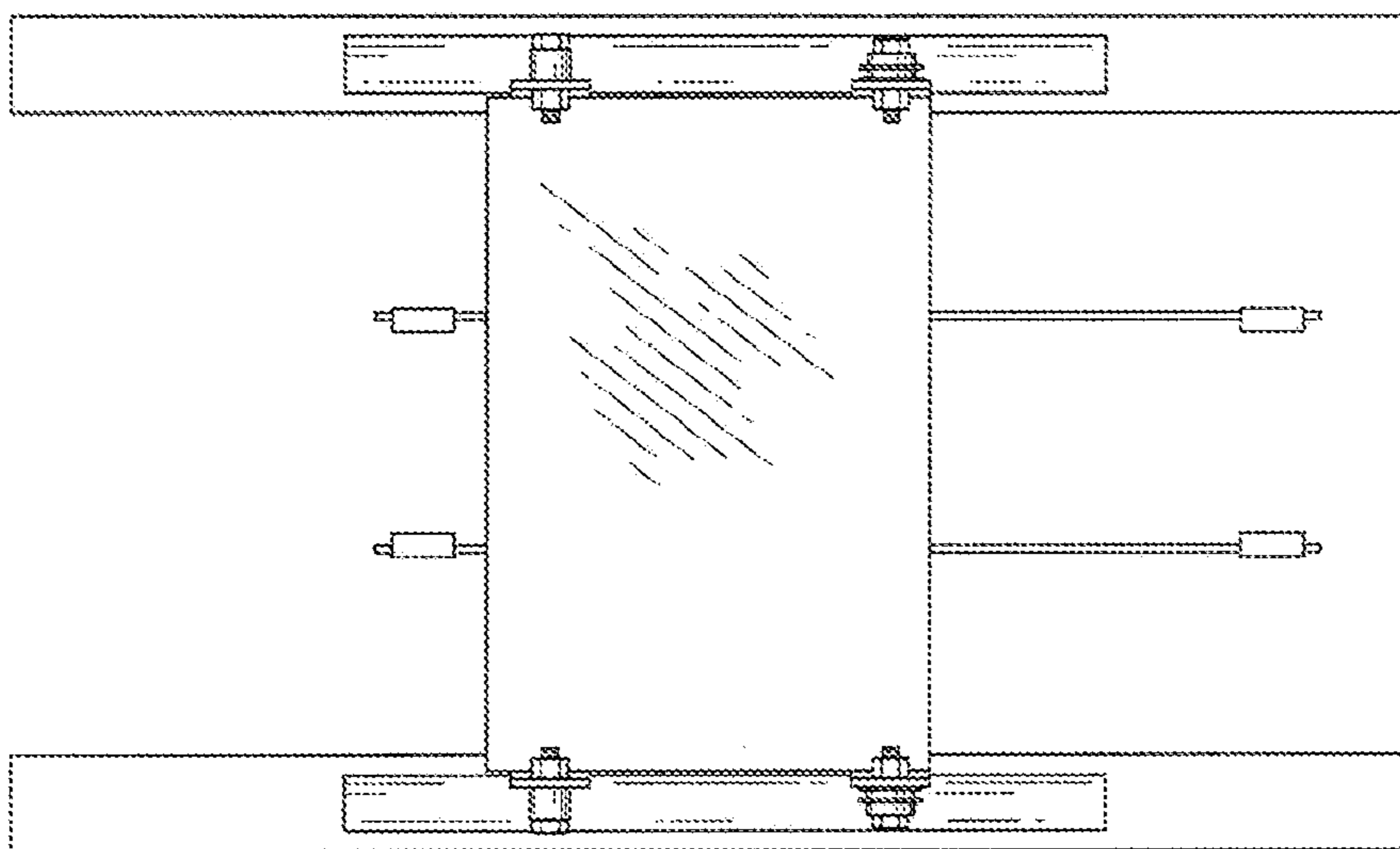


FIG. 7

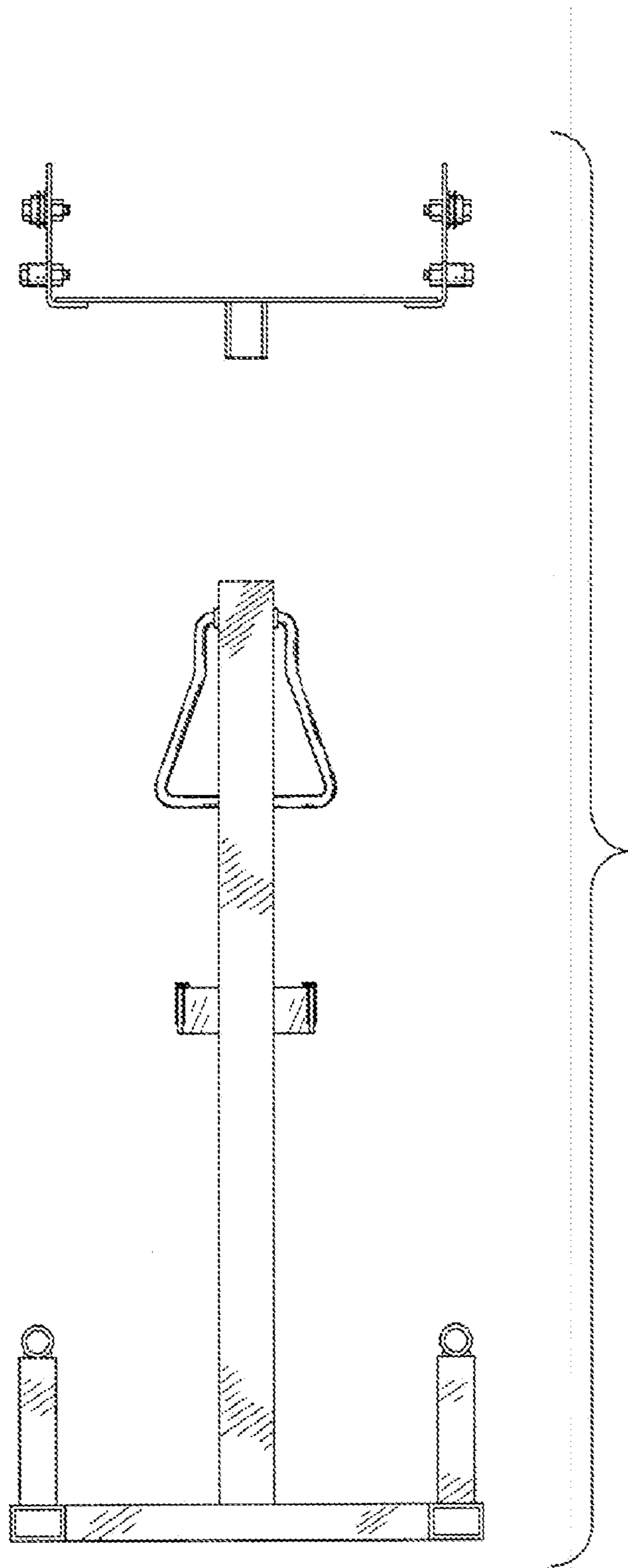


FIG. 9