



US00D569648S

(12) **United States Design Patent** (10) **Patent No.:** **US D569,648 S**
Weiss (45) **Date of Patent:** **** May 27, 2008**

- (54) **SOFA**
- (75) Inventor: **Per Weiss**, Randers (DK)
- (73) Assignee: **Innovation U.S.A., Inc.**, Hanover, MD (US)
- (**) Term: **14 Years**
- (21) Appl. No.: **29/283,567**
- (22) Filed: **Aug. 17, 2007**
- (51) **LOC (8) Cl.** **06-01**
- (52) **U.S. Cl.** **D6/381**
- (58) **Field of Classification Search** D6/334, D6/335, 337, 341, 349, 353, 354, 377, 367-369, D6/381, 383, 492, 500-502; 5/12.1, 12.2; 297/16.1, 232, 16.2, 245, 283.2, 353, 354.1, 297/445.1, 448.1

See application file for complete search history.

(56) **References Cited**

U.S. PATENT DOCUMENTS

D166,954 S *	6/1952	Eisendrath	D6/367
D168,059 S *	10/1952	Maurer	D6/381
D170,088 S *	7/1953	Hoffman	D6/381
D171,368 S *	1/1954	Rothstein	D6/381
2,774,977 A *	12/1956	Mintz	5/12.1
D407,229 S *	3/1999	Riboldi	D6/381
D444,305 S *	7/2001	Mourgue	D6/335
D446,962 S *	8/2001	Mourgue	D6/381
D471,731 S *	3/2003	Nicoletti	D6/381
D498,075 S *	11/2004	Mourgue	D6/381
D516,336 S *	3/2006	Natuzzi	D6/381
D534,693 S *	1/2007	Northrop	D30/118
D555,383 S *	11/2007	Borgonovo	D6/381

* cited by examiner

Primary Examiner—Sandra Snapp
(74) *Attorney, Agent, or Firm*—Miles & Stockbridge PC; James T. Carmichael

(57) **CLAIM**

What is claimed is the ornamental design for a sofa, as shown and described.

DESCRIPTION

FIG. 1 is a front right perspective view of the sofa showing the new design;

FIG. 2 is a front left perspective view thereof;

FIG. 3 is a front view thereof;

FIG. 4 is a back view thereof;

FIG. 5 is a top view thereof;

FIG. 6 is a bottom view thereof;

FIG. 7 is a left view thereof;

FIG. 8 is a right view thereof;

FIG. 9 is a front right perspective view thereof in a slightly inclined position.

FIG. 10 is a front left perspective view thereof the slightly inclined position.

FIG. 11 is a front right perspective view thereof in a higher inclined position.

FIG. 12 is a front left perspective view thereof in the higher inclined position.

FIG. 13 is a front right perspective view thereof in a still higher inclined position; and,

FIG. 14 is a front left perspective view thereof in the still higher inclined position.

1 Claim, 9 Drawing Sheets

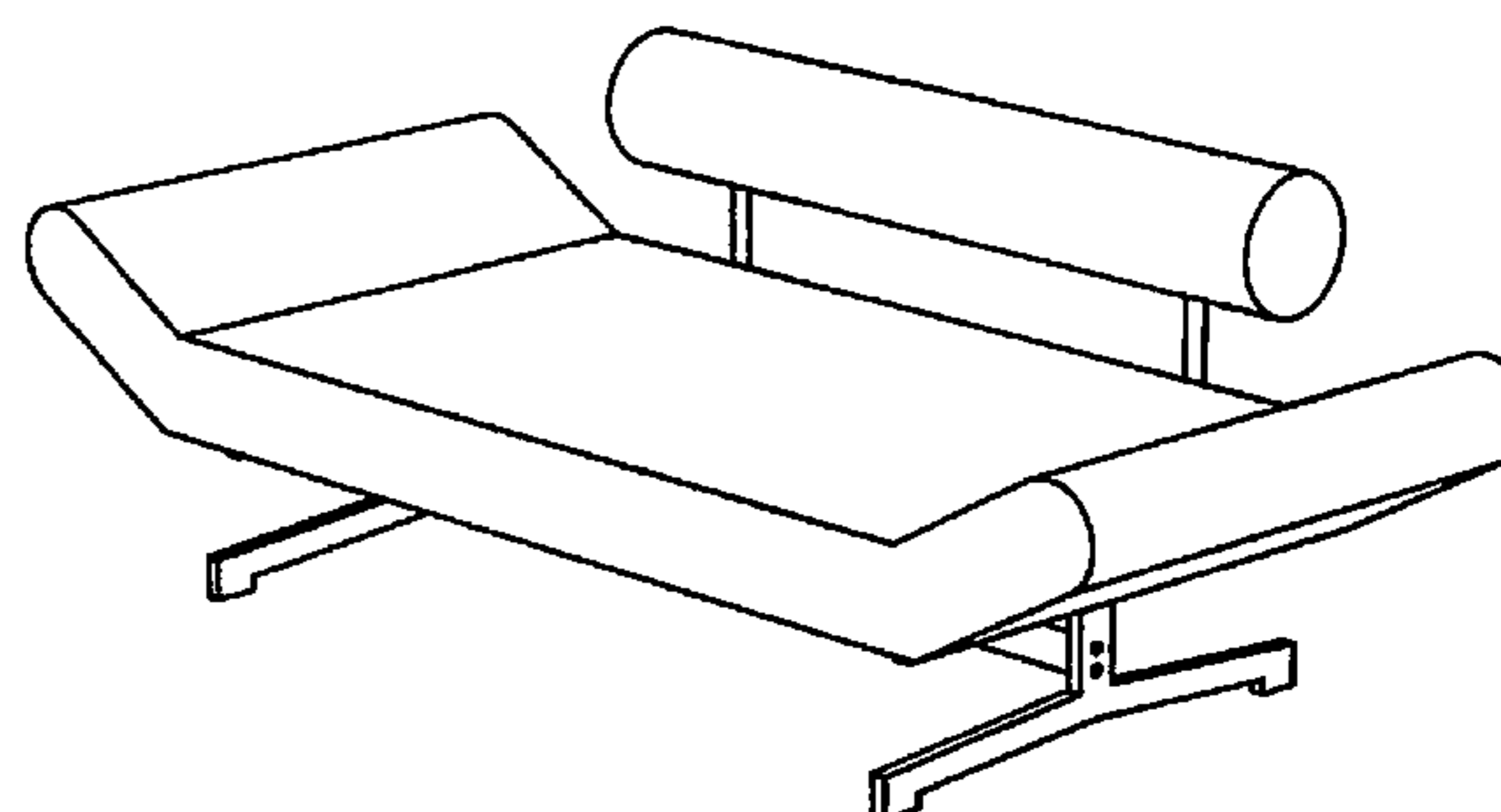
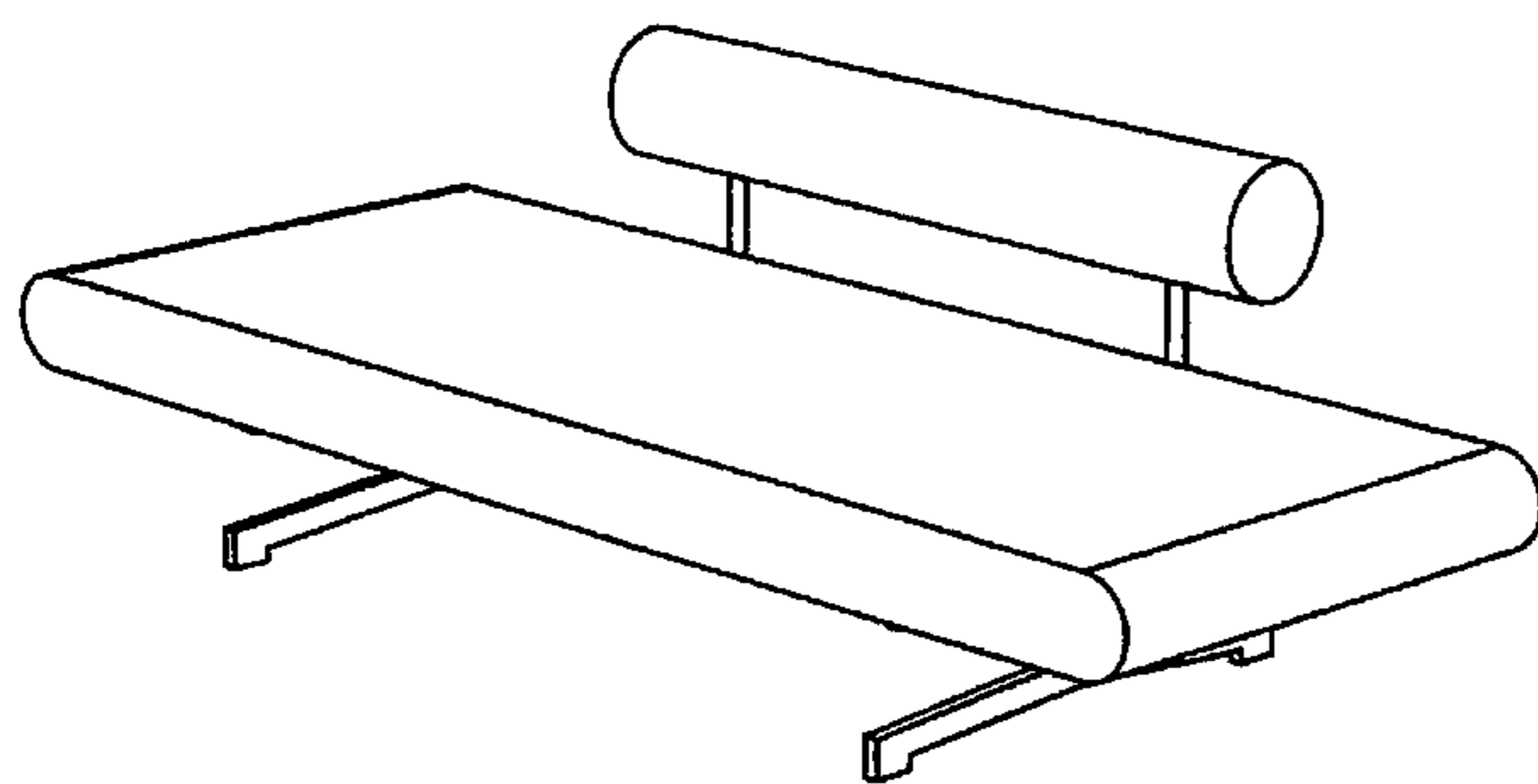


FIG. 1

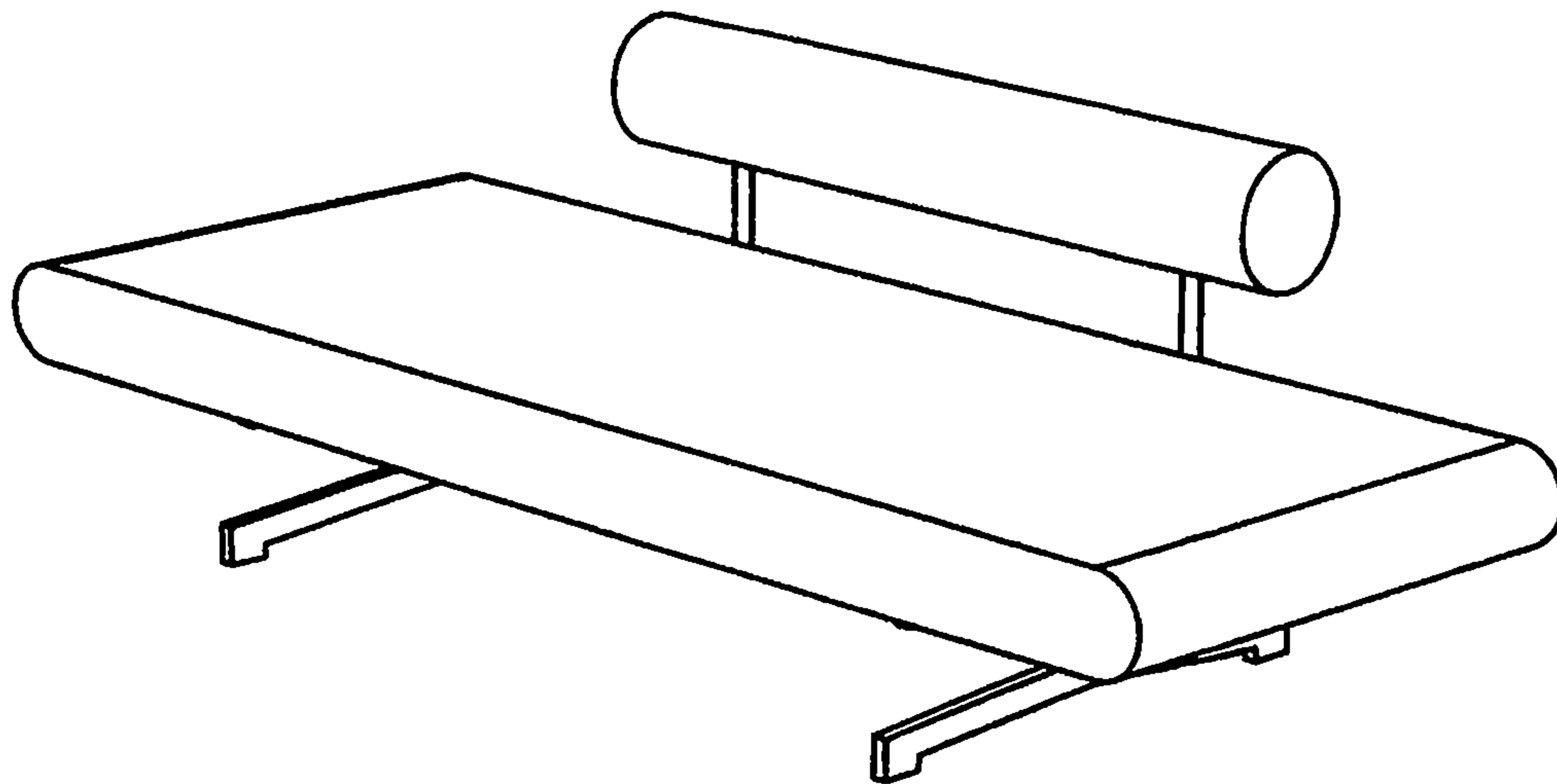


FIG. 2

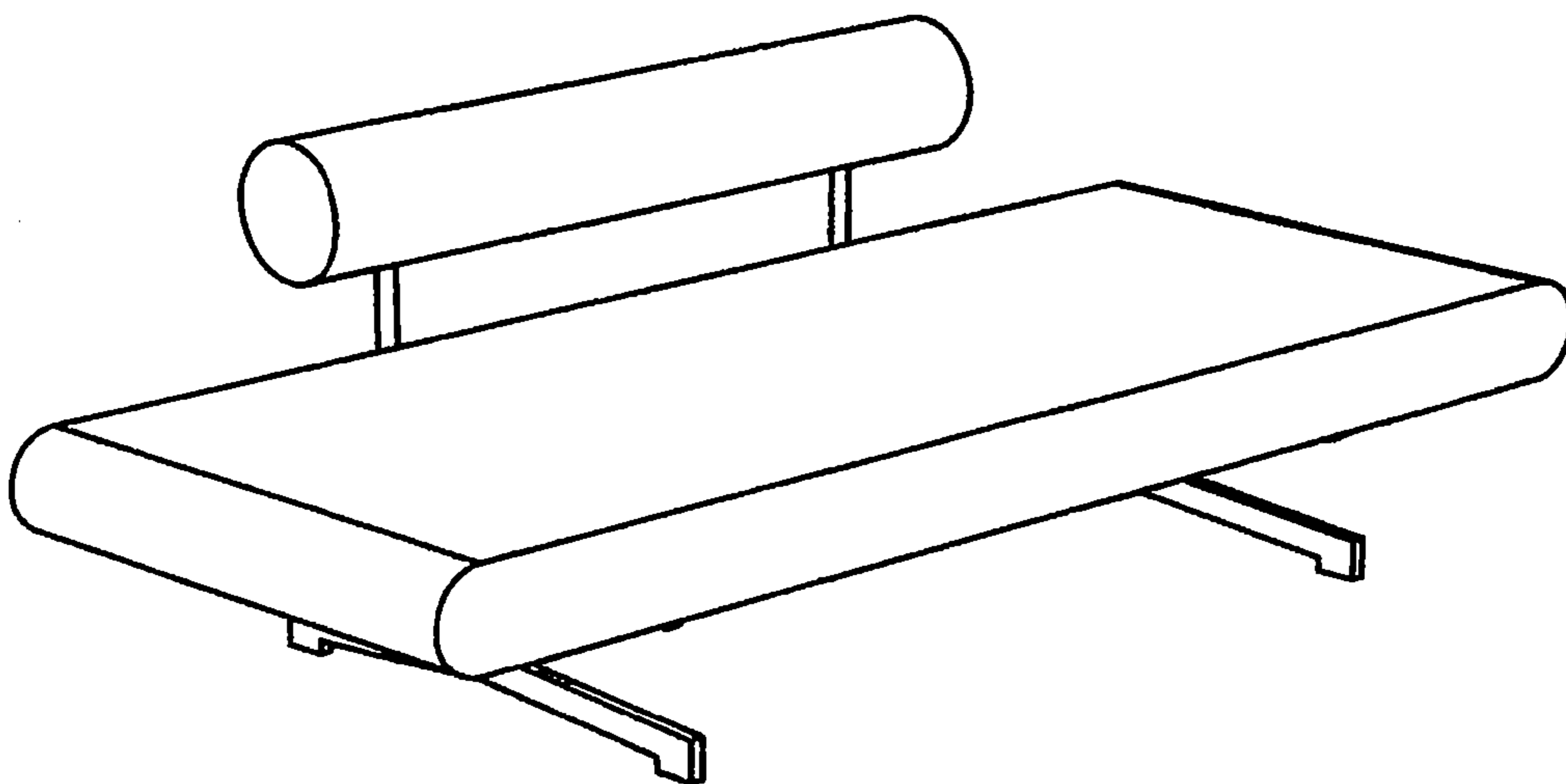


FIG. 3

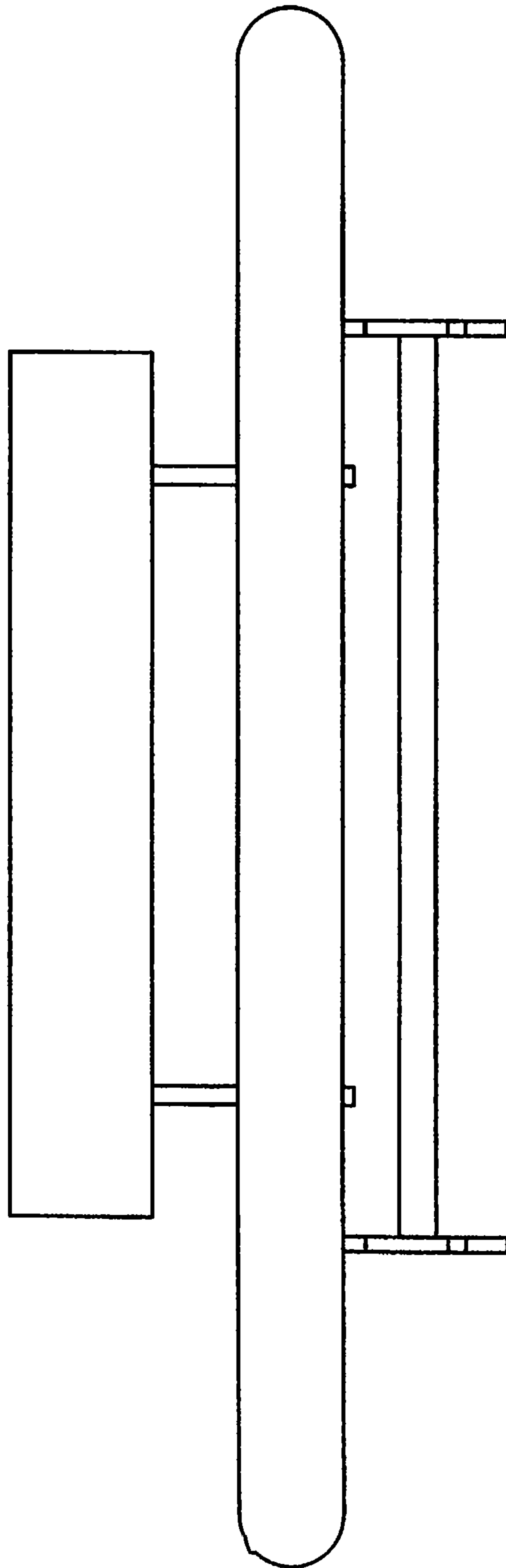


FIG. 4

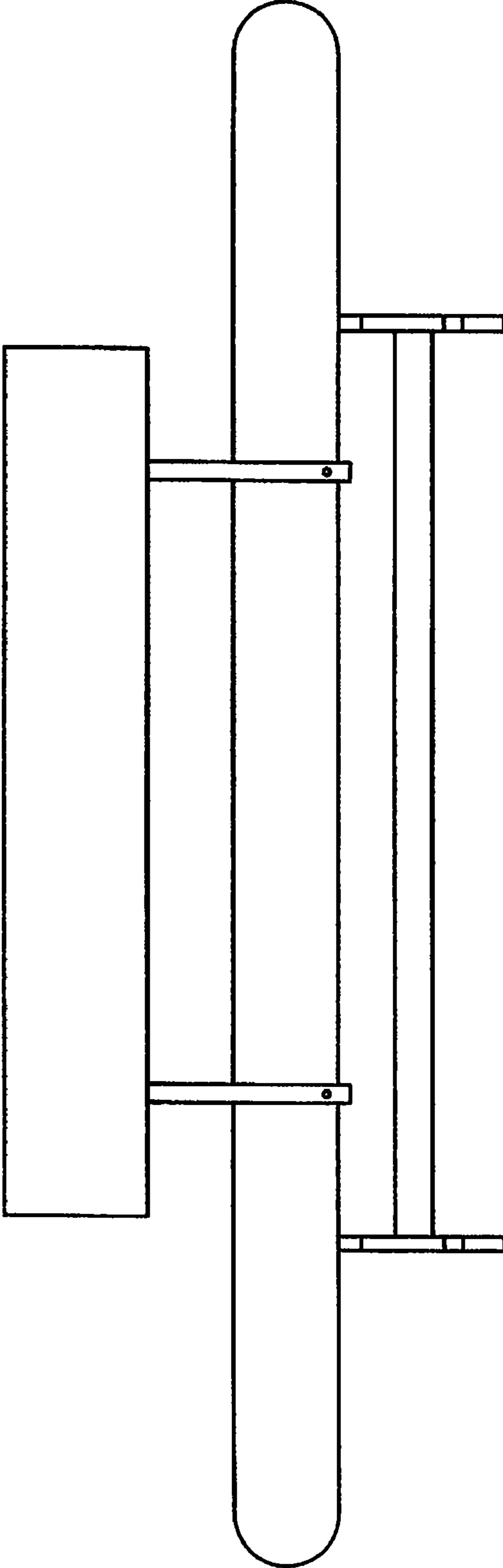


FIG. 5

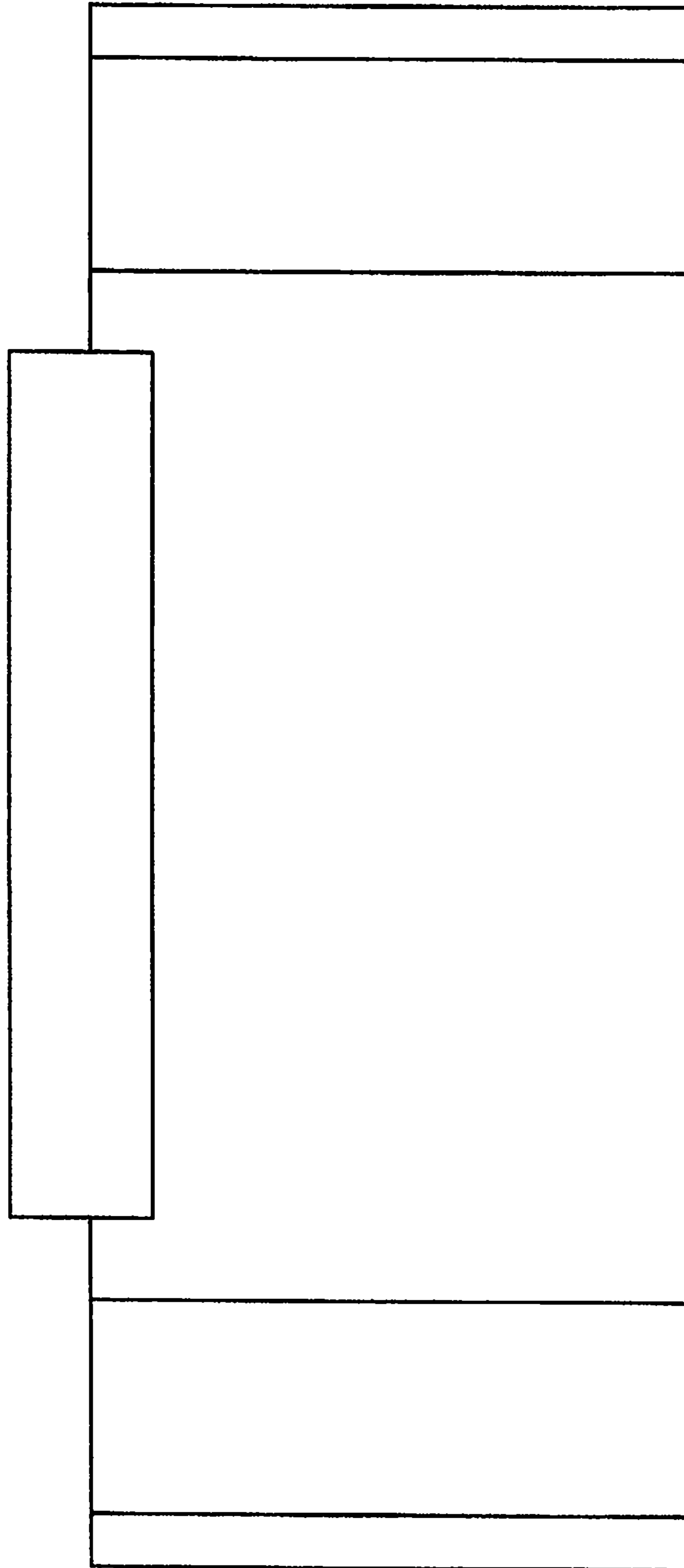


FIG. 6

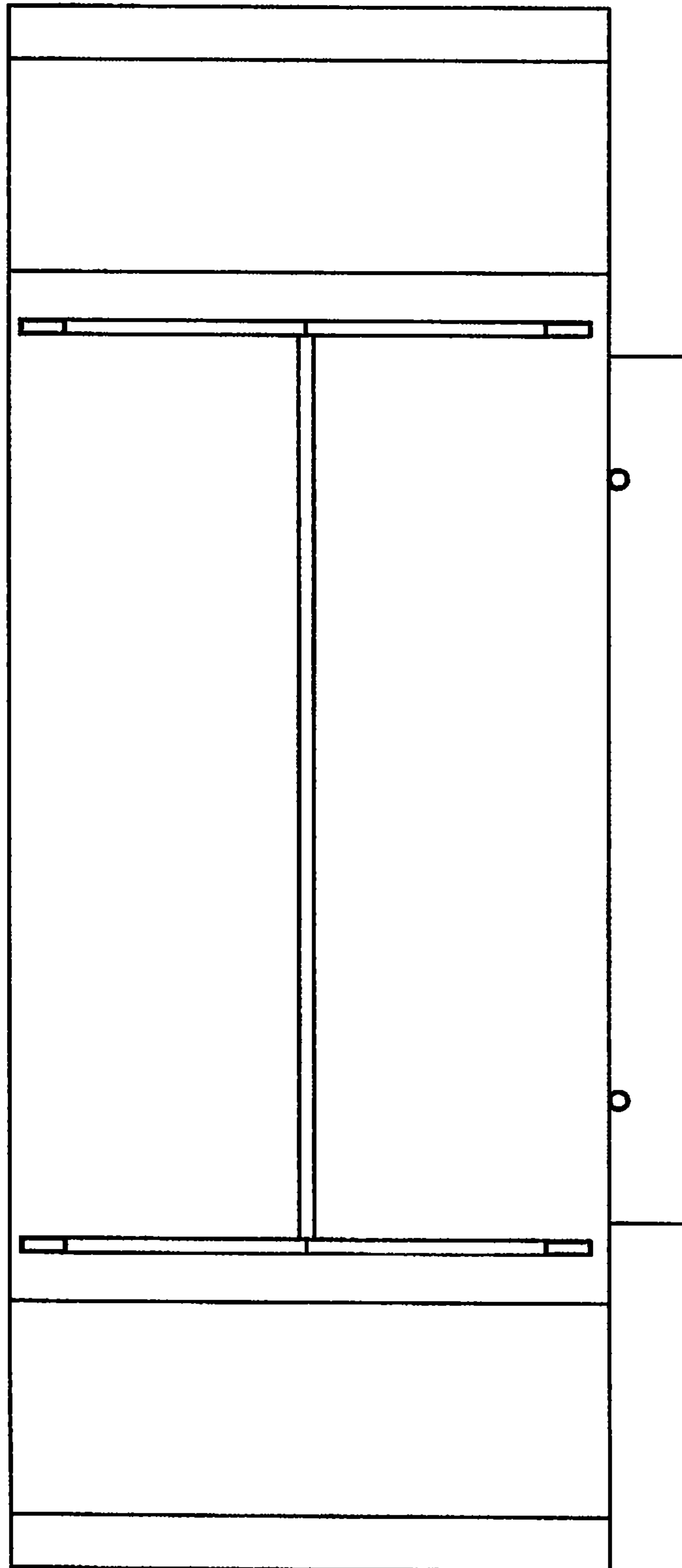


FIG. 7

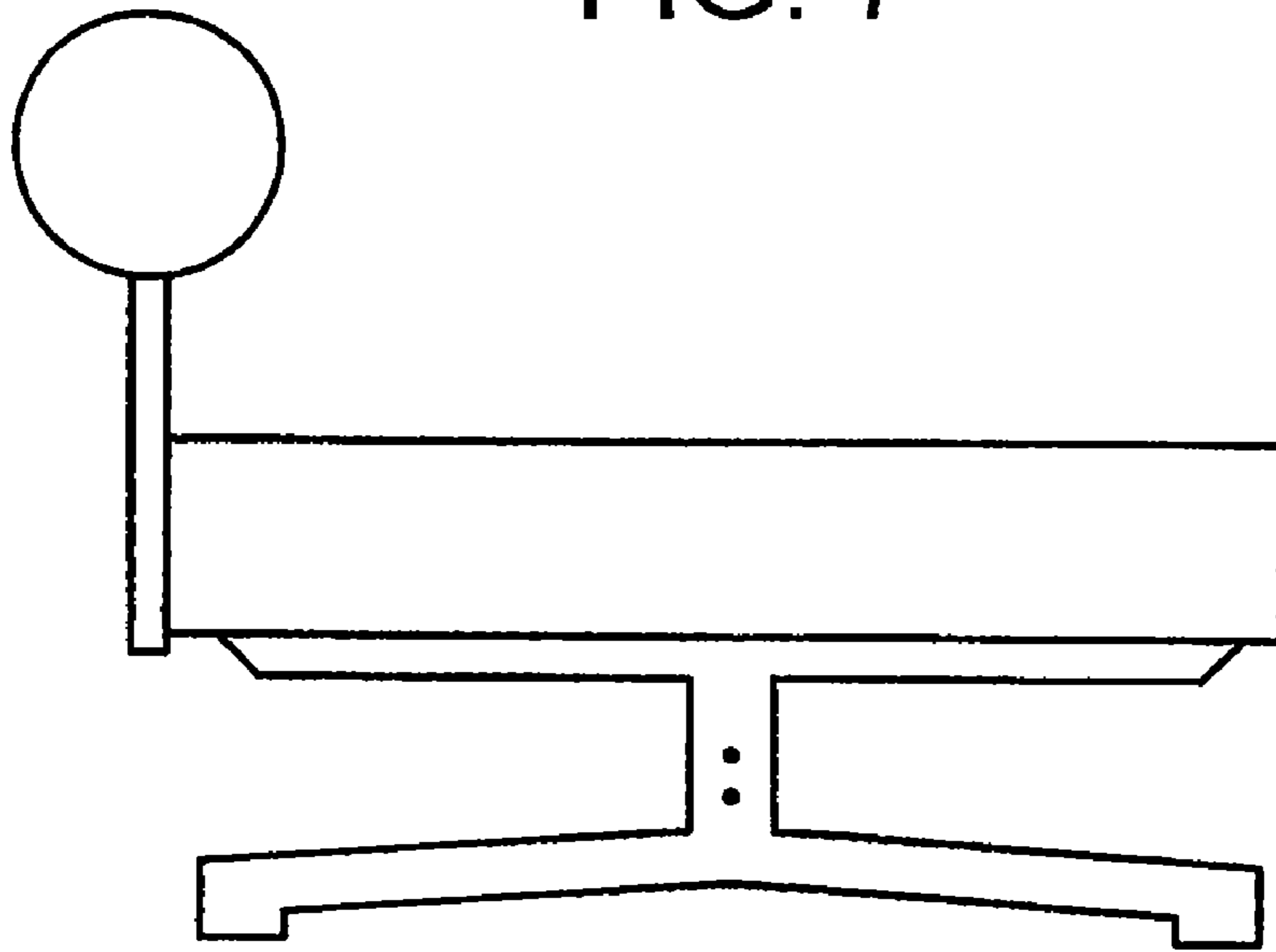


FIG. 8

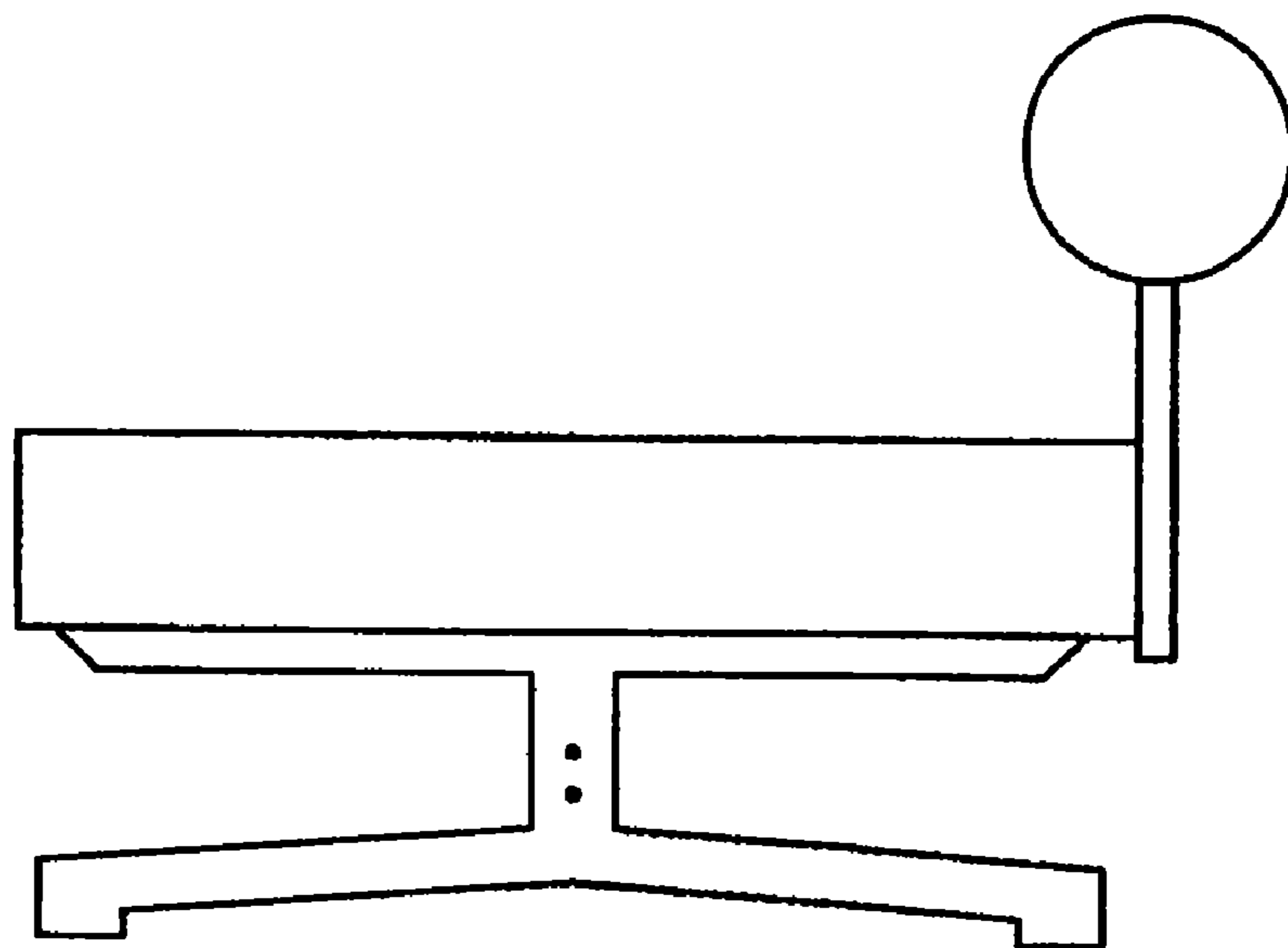


FIG. 9

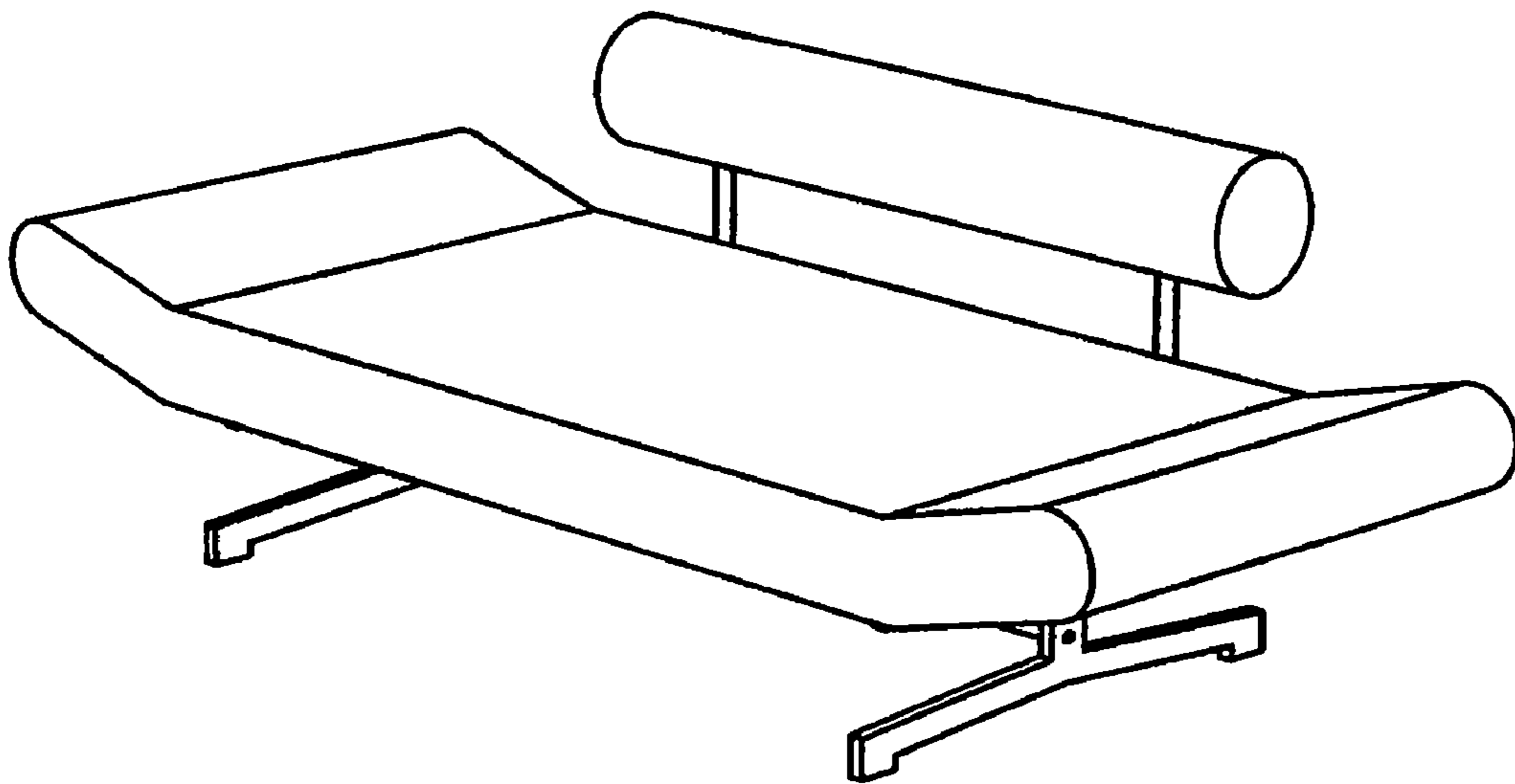


FIG. 10

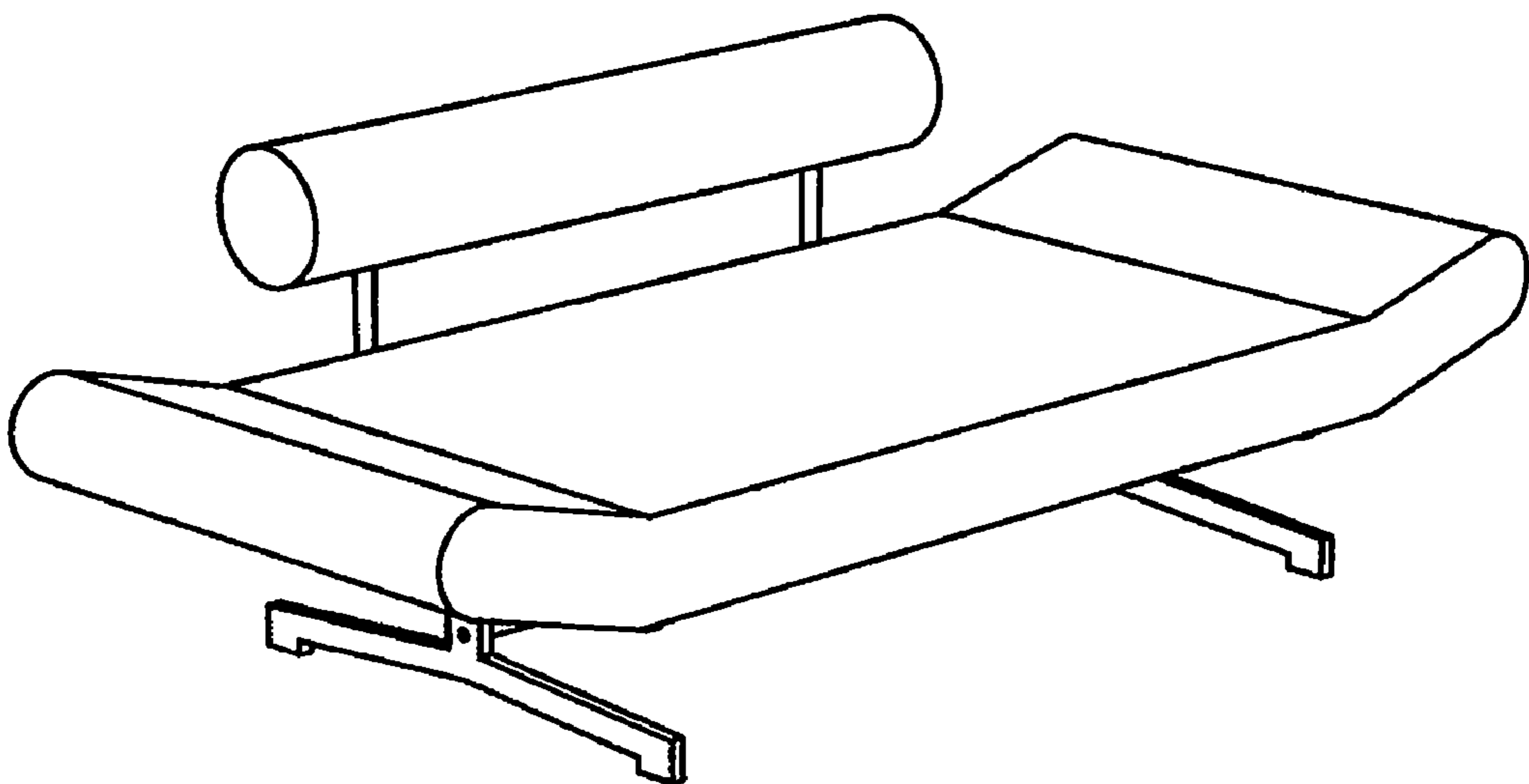


FIG. 11

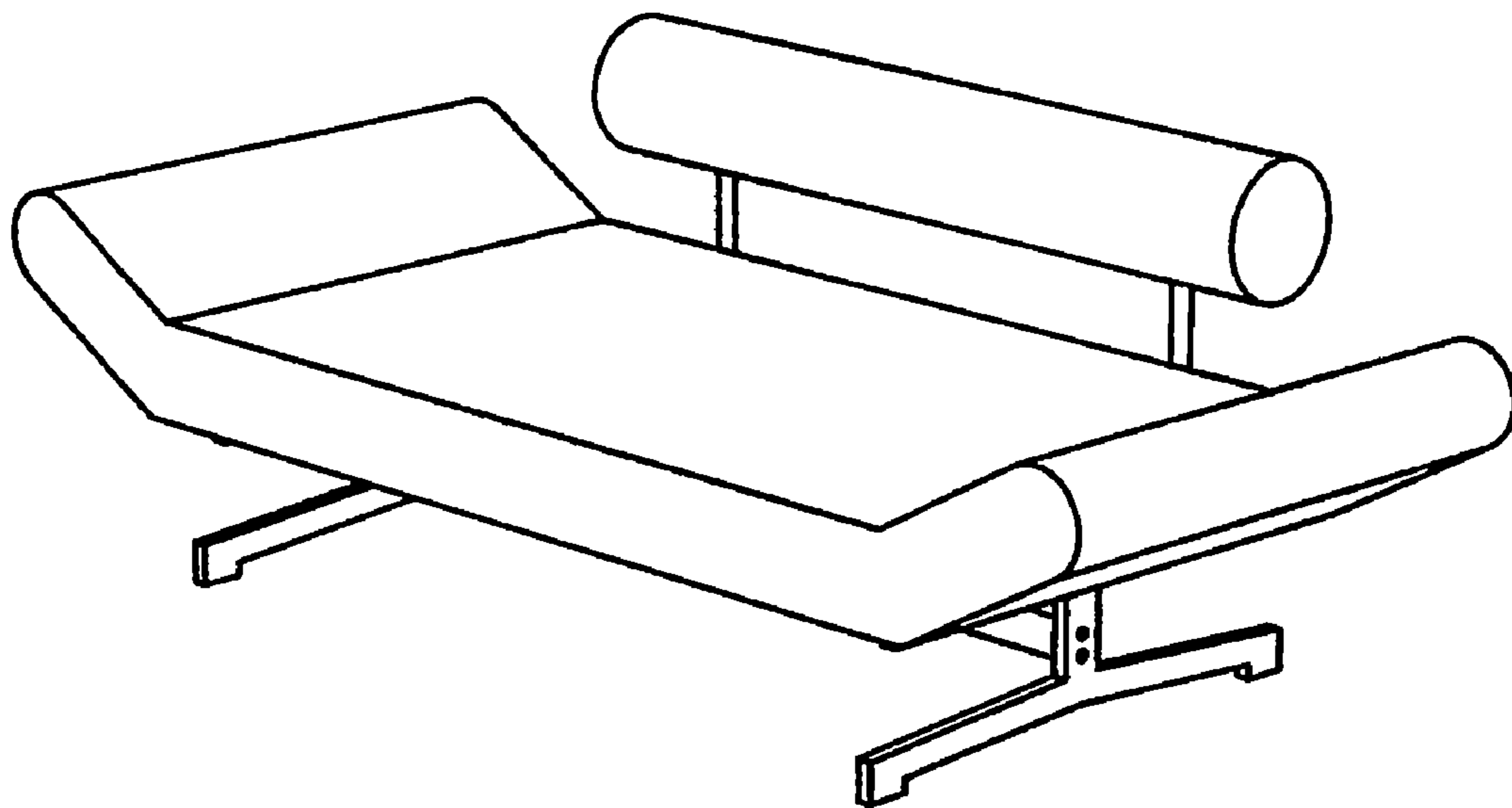


FIG. 12

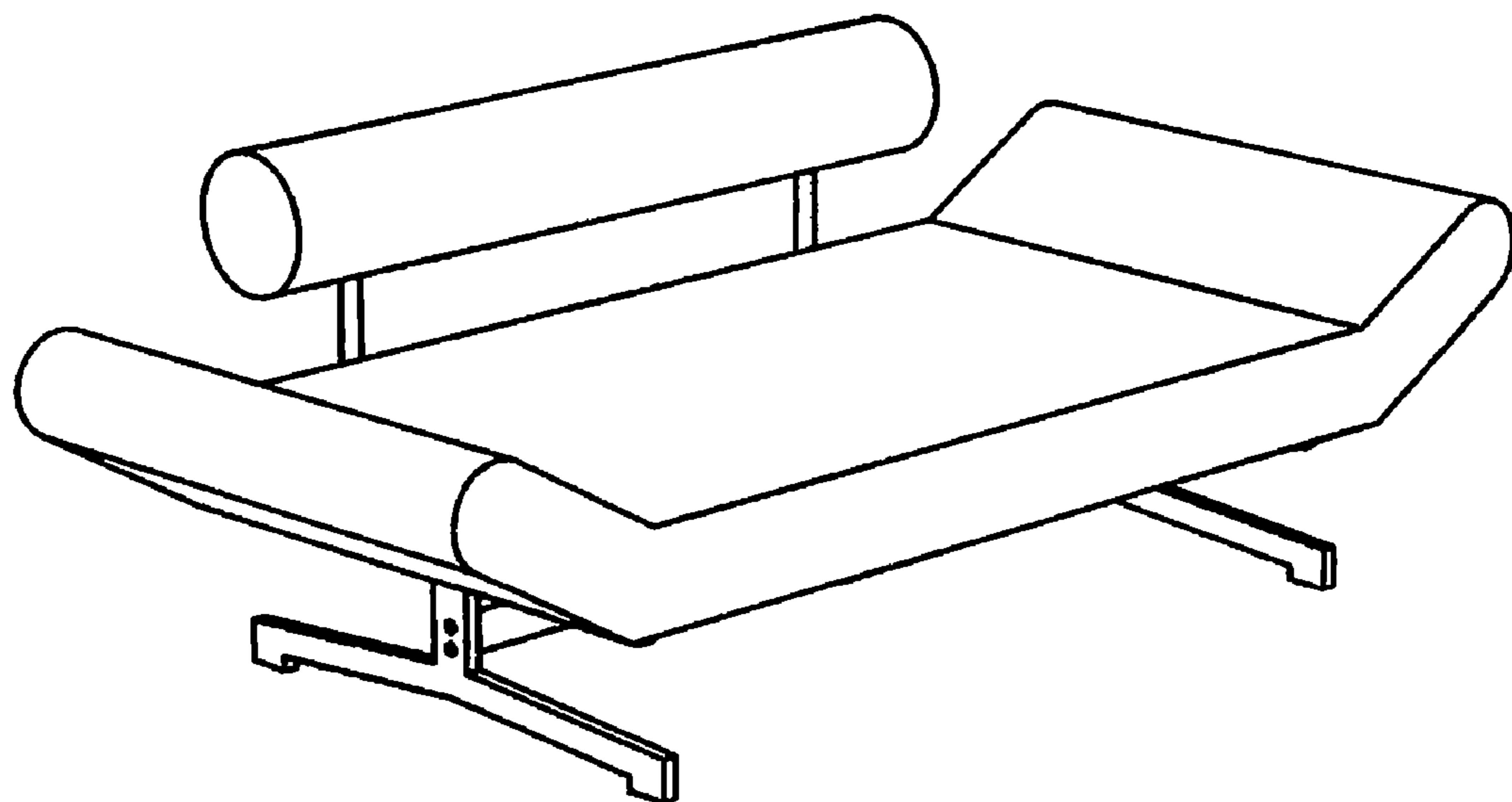


FIG. 13

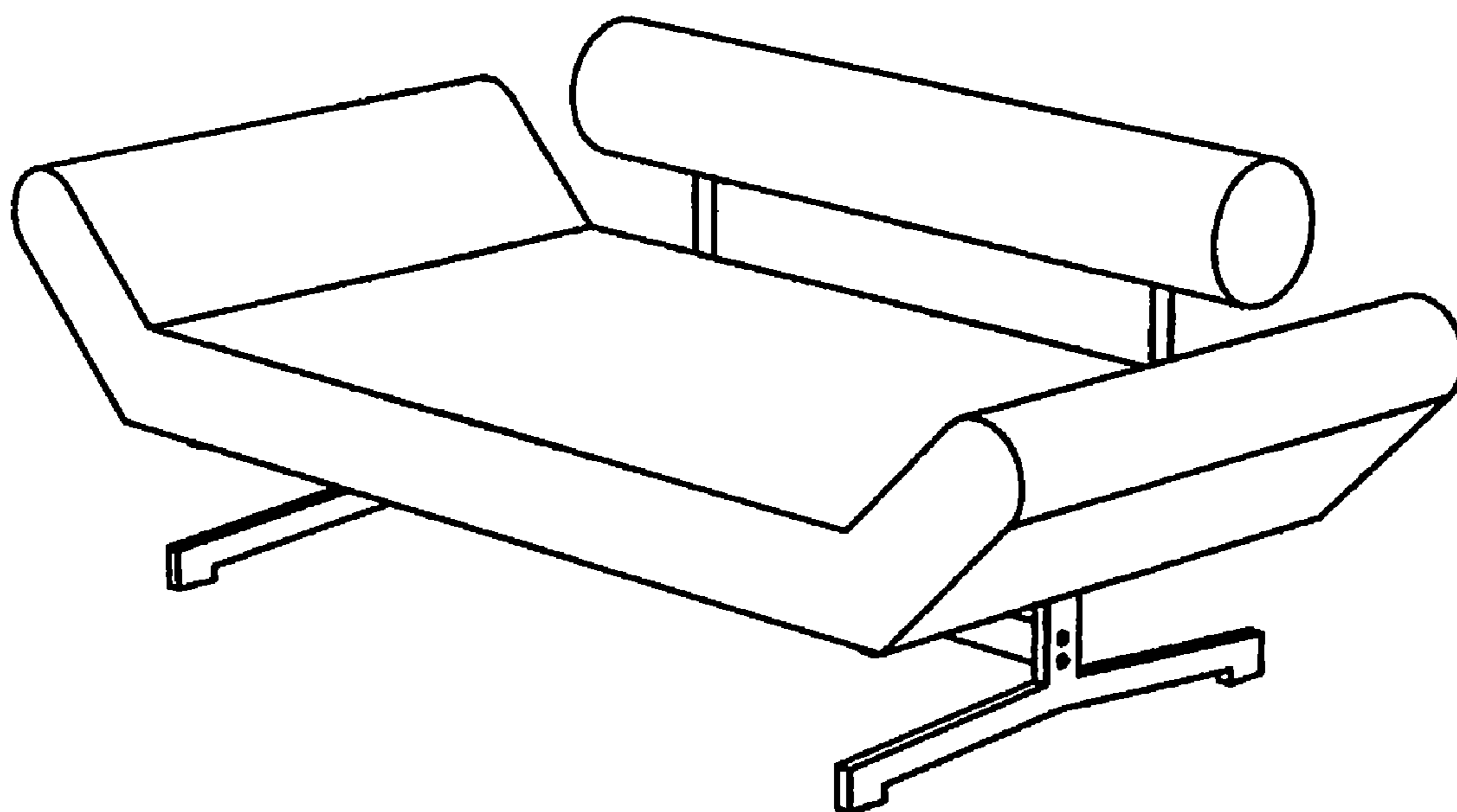


FIG. 14

