



US00D569638S

(12) **United States Design Patent** (10) **Patent No.:** **US D569,638 S**  
**Ballard et al.** (45) **Date of Patent:** **\*\* May 27, 2008**

(54) **PORTABLE SADDLE RACK AND CHAIR**

(76) Inventors: **Susan D. Ballard**, 163 Wayman Beaty Rd., Grimley, TN (US) 38565; **Sharon A. Scott**, 1542 Taylorsville Rd., Lebanon, TN (US) 37087; **Toby L. Scott**, 1542 Taylorsville Rd., Lebanon, TN (US) 37087

(\*\*) Term: **14 Years**

(21) Appl. No.: **29/289,909**

(22) Filed: **Aug. 6, 2007**

(51) **LOC (8) Cl.** ..... **06-01**

(52) **U.S. Cl.** ..... **D6/368**

(58) **Field of Classification Search** ..... D6/334-336, D6/353, 367, 368, 371-373, 374, 376, 379, D6/380, 499, 500-502; 297/16.1, 16.2, 45, 297/46, 56, 57, 440.1, 440.12, 440.13; 108/115, 108/118; 248/436

See application file for complete search history.

(56) **References Cited**

**U.S. PATENT DOCUMENTS**

244,215	A *	7/1881	Fenby	108/118
1,381,136	A *	6/1921	Ribeiro	297/45
3,136,272	A *	6/1964	Sprigman	108/118
3,635,520	A *	1/1972	Roher et al.	297/45
3,930,663	A	1/1976	Scripter	
D251,639	S *	4/1979	Colby	D6/353
5,101,985	A	4/1992	Pasban-Dowlatsahi	
5,615,783	A	4/1997	Warnken	
5,709,428	A *	1/1998	Hughhins	297/16.2
D430,976	S *	9/2000	Tow	D6/374
D432,325	S *	10/2000	Zheng et al.	D6/368
6,206,207	B1	3/2001	Kelley	
D521,769	S	5/2006	Israel et al.	
2006/0175275	A1	8/2006	Israel et al.	

\* cited by examiner

*Primary Examiner*—De Mimosa

(74) *Attorney, Agent, or Firm*—Blackshear Capital & Legal, PLLC; Bethew B. Jennings, III

(57) **CLAIM**

The ornamental design for a portable saddle rack and chair, as shown and described.

**DESCRIPTION**

FIG. 1 is a perspective view of the portable saddle rack and chair showing our new design;

FIG. 2 is a front view thereof;

FIG. 3 is a rear view thereof;

FIG. 4 is a right side view thereof;

FIG. 5 is a left side view thereof;

FIG. 6 is a top side view thereof; and

FIG. 7 is a bottom side view thereof.

FIG. 8 is an environmental right side view thereof.

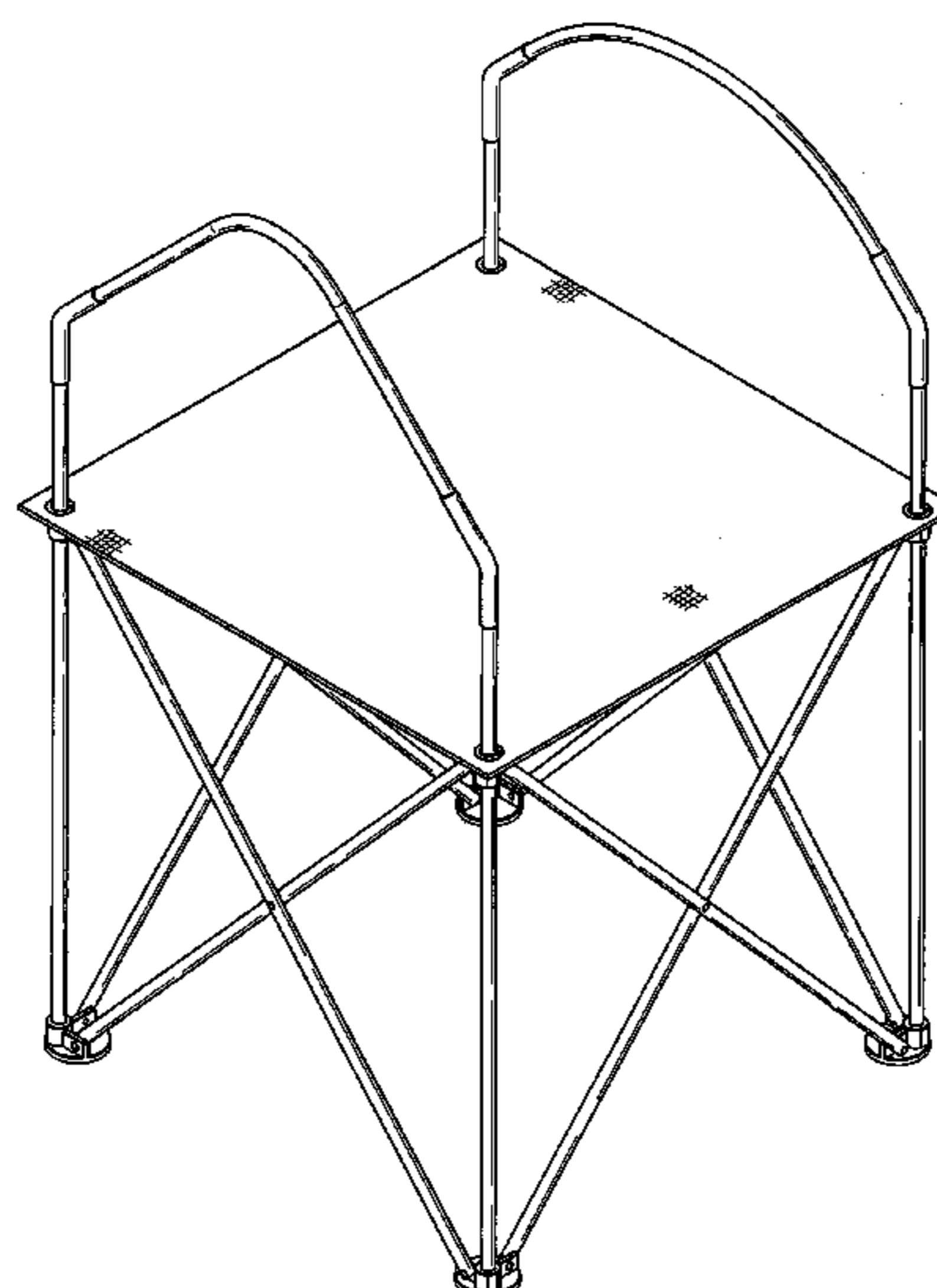
FIG. 9 is an environmental right side view thereof.

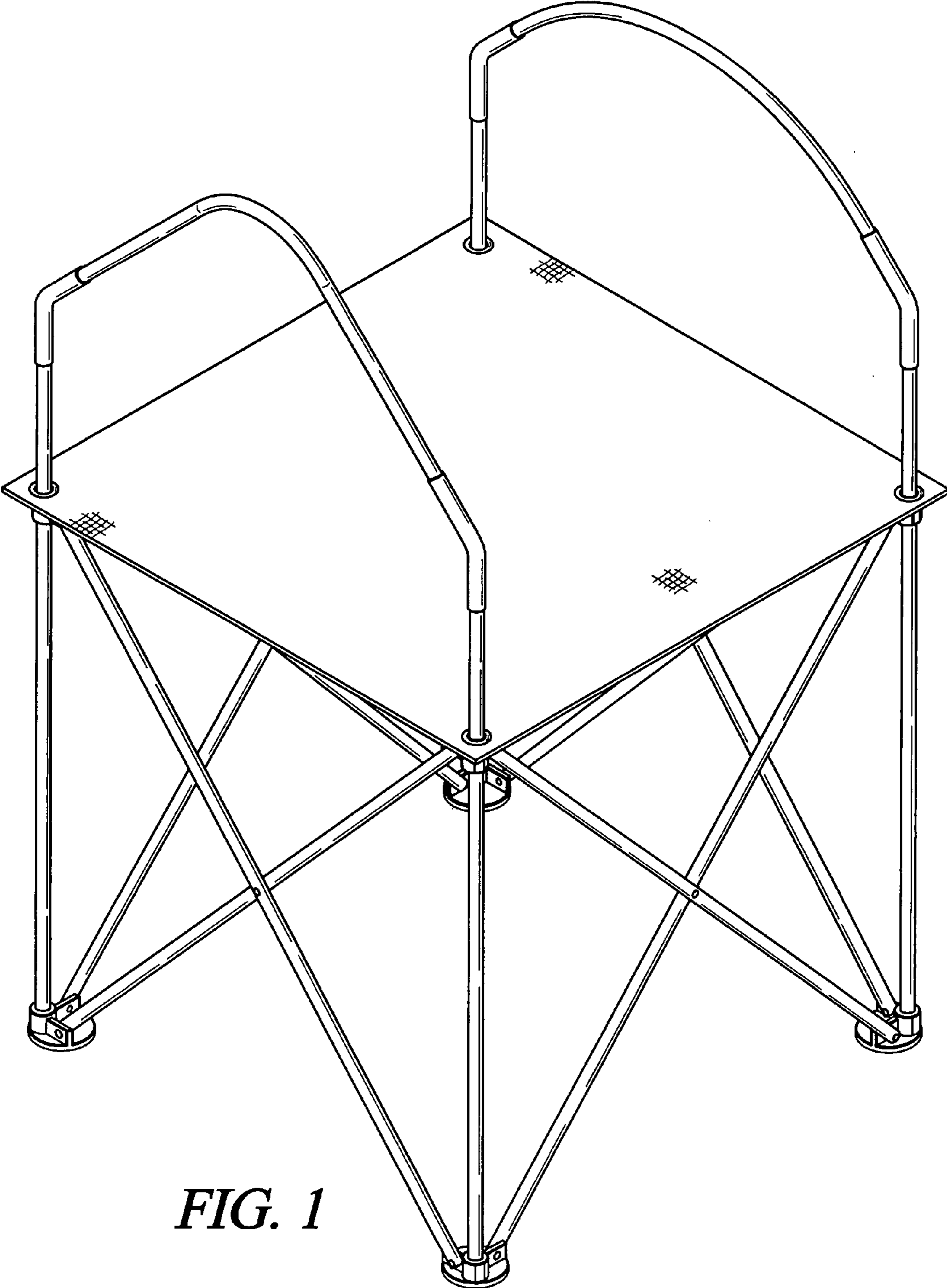
FIG. 10 is a perspective view of thereof with the saddle holding rails removed; and,

FIG. 11 is an environmental view showing the portable saddle rack and chair unassembled and folded.

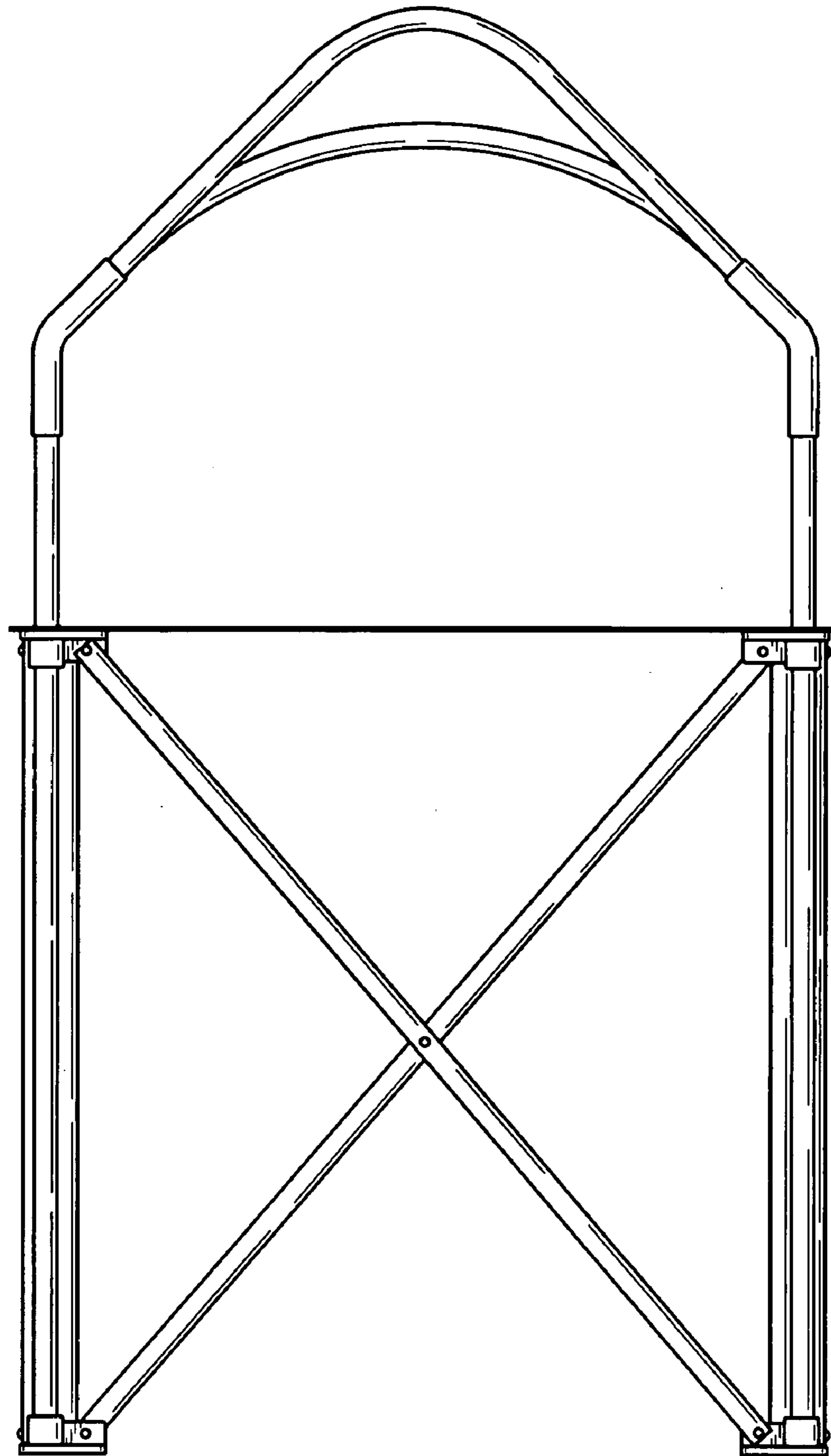
In FIG. 8, the portable saddle rack and chair is shown with a cutaway of a saddle in broken/phantom lines only to show the environment where the portable saddle rack and chair is used as a saddle rack. In FIG. 9, the portable saddle rack and chair is shown with a person seated thereupon, using broken/phantom lines only to show the environment where the portable saddle rack and chair is used as a chair. The depiction of the orientation of the person in FIG. 9 is intended as an example only. The person may sit in the portable saddle rack and chair in various ways. The saddle in FIG. 8 and the person in FIG. 9 are for illustrative purposes only and form no part of the claimed design.

**1 Claim, 10 Drawing Sheets**

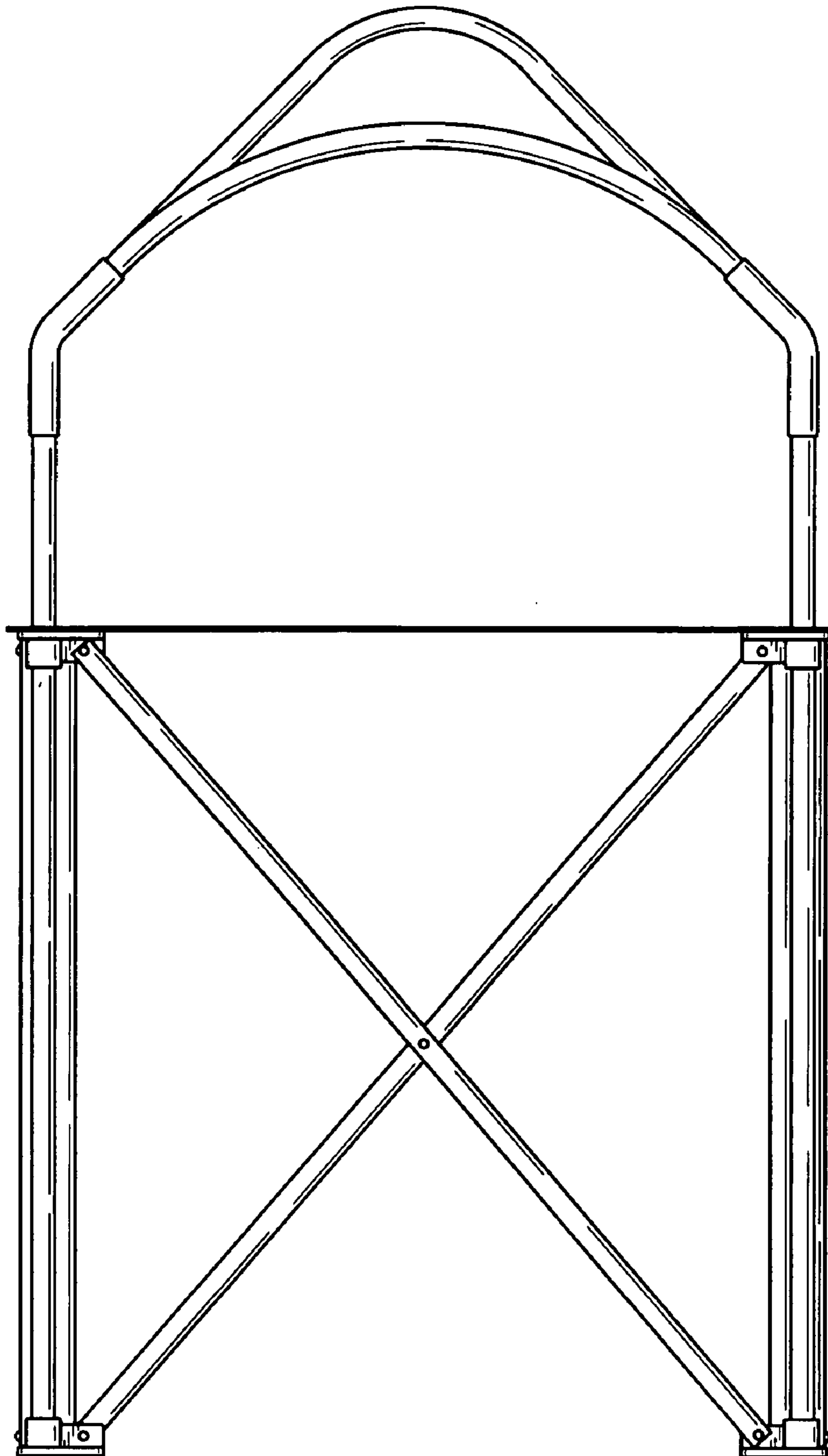




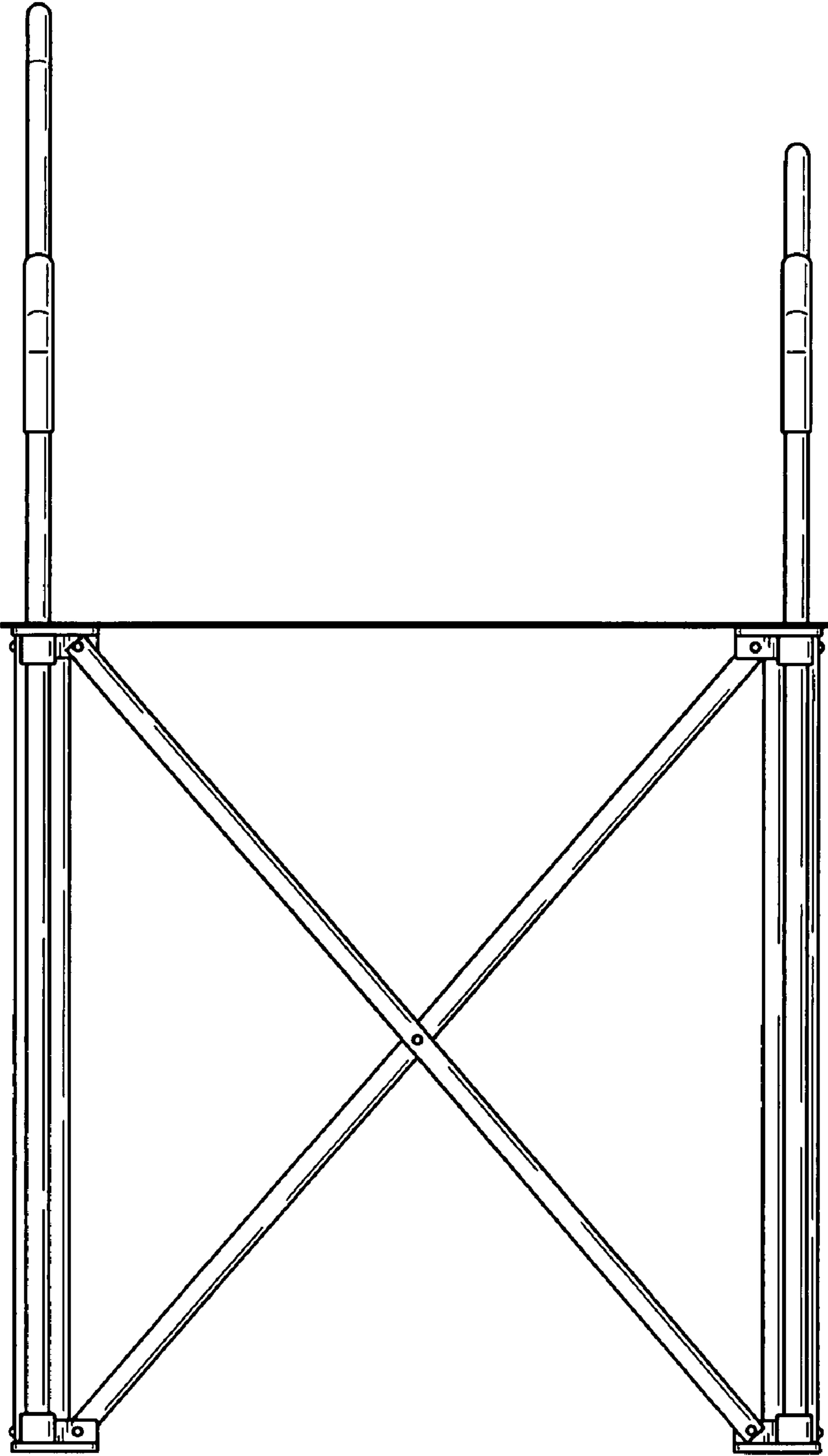
*FIG. 1*



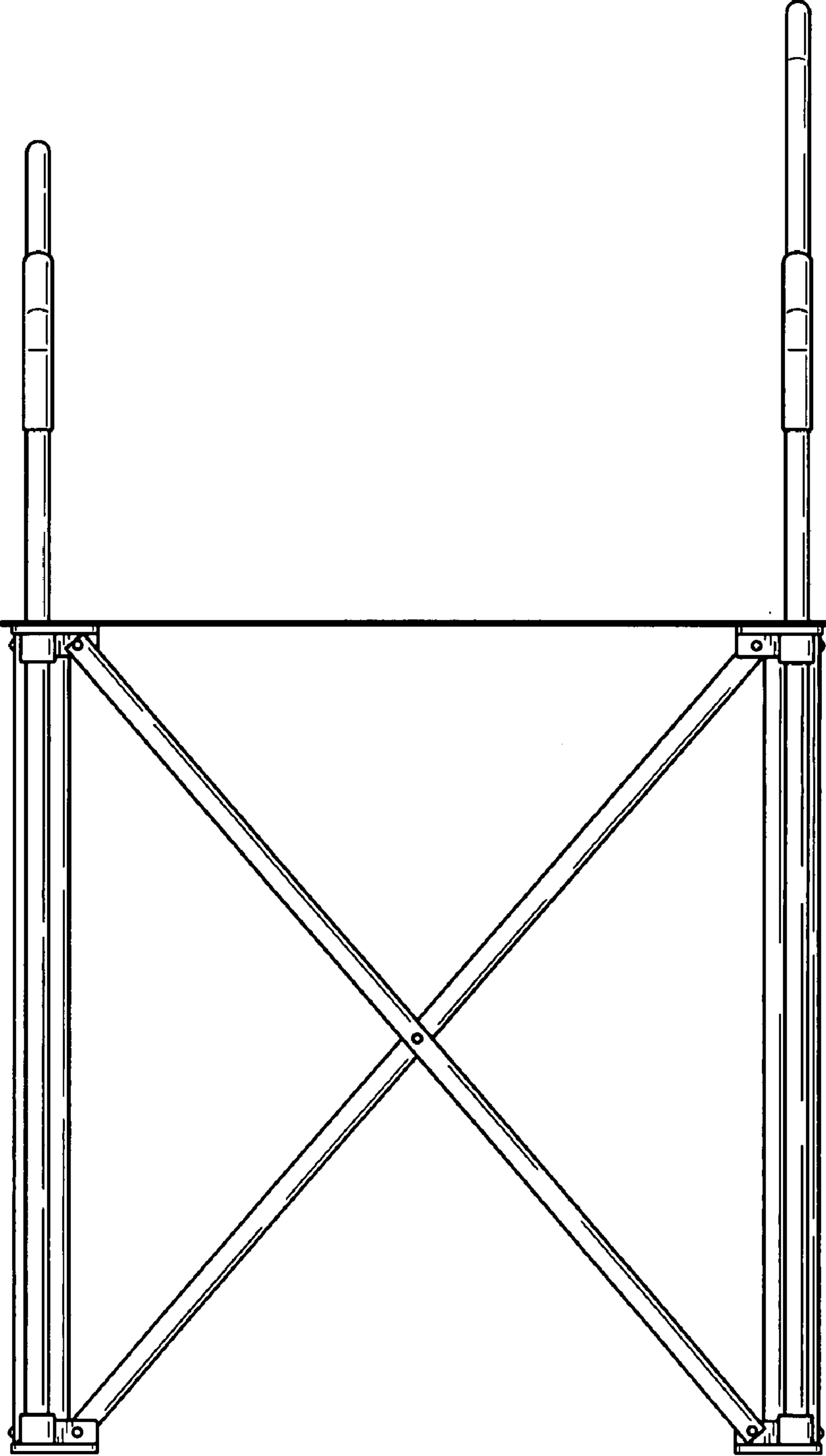
*FIG. 2*



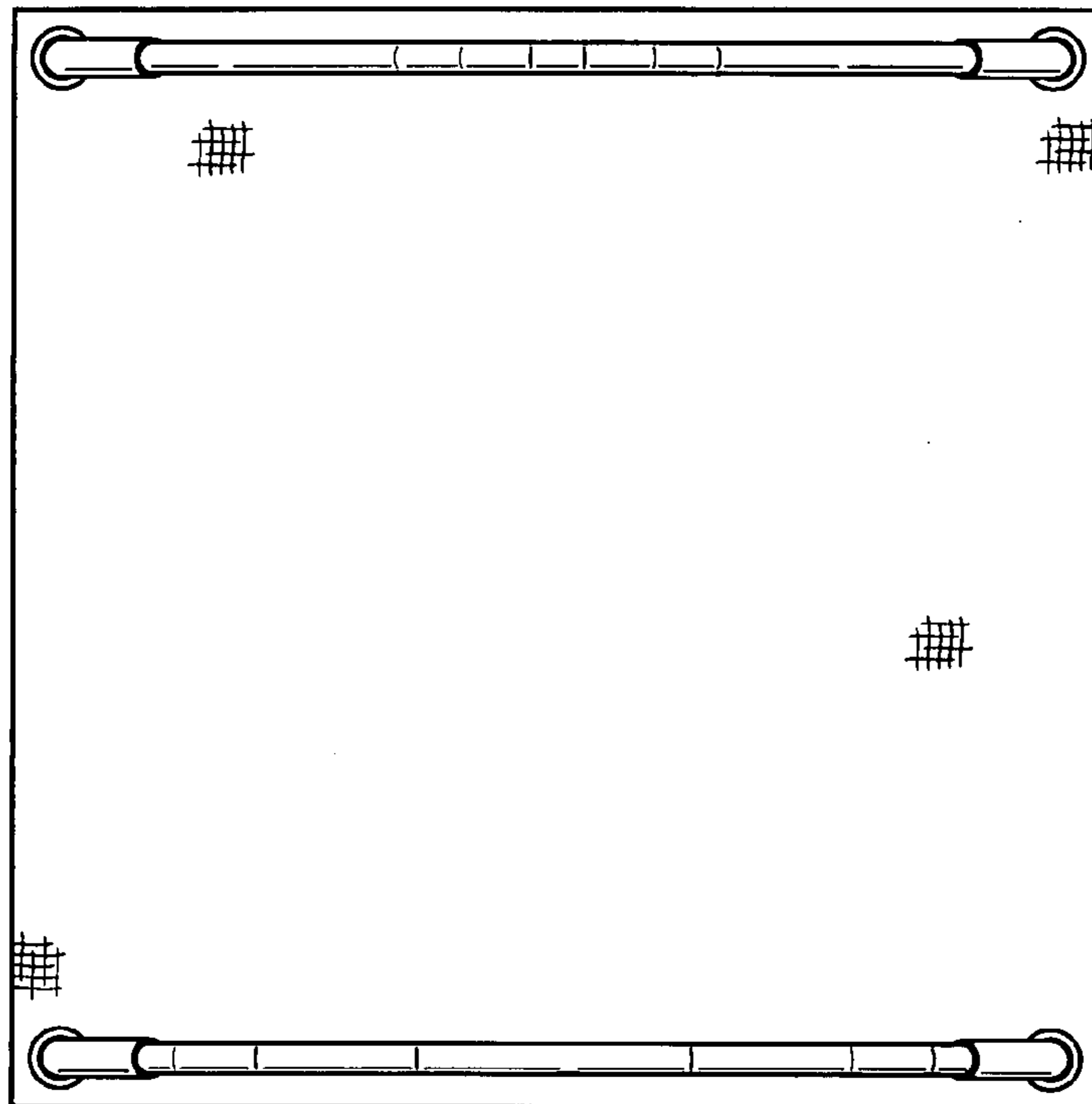
*FIG. 3*



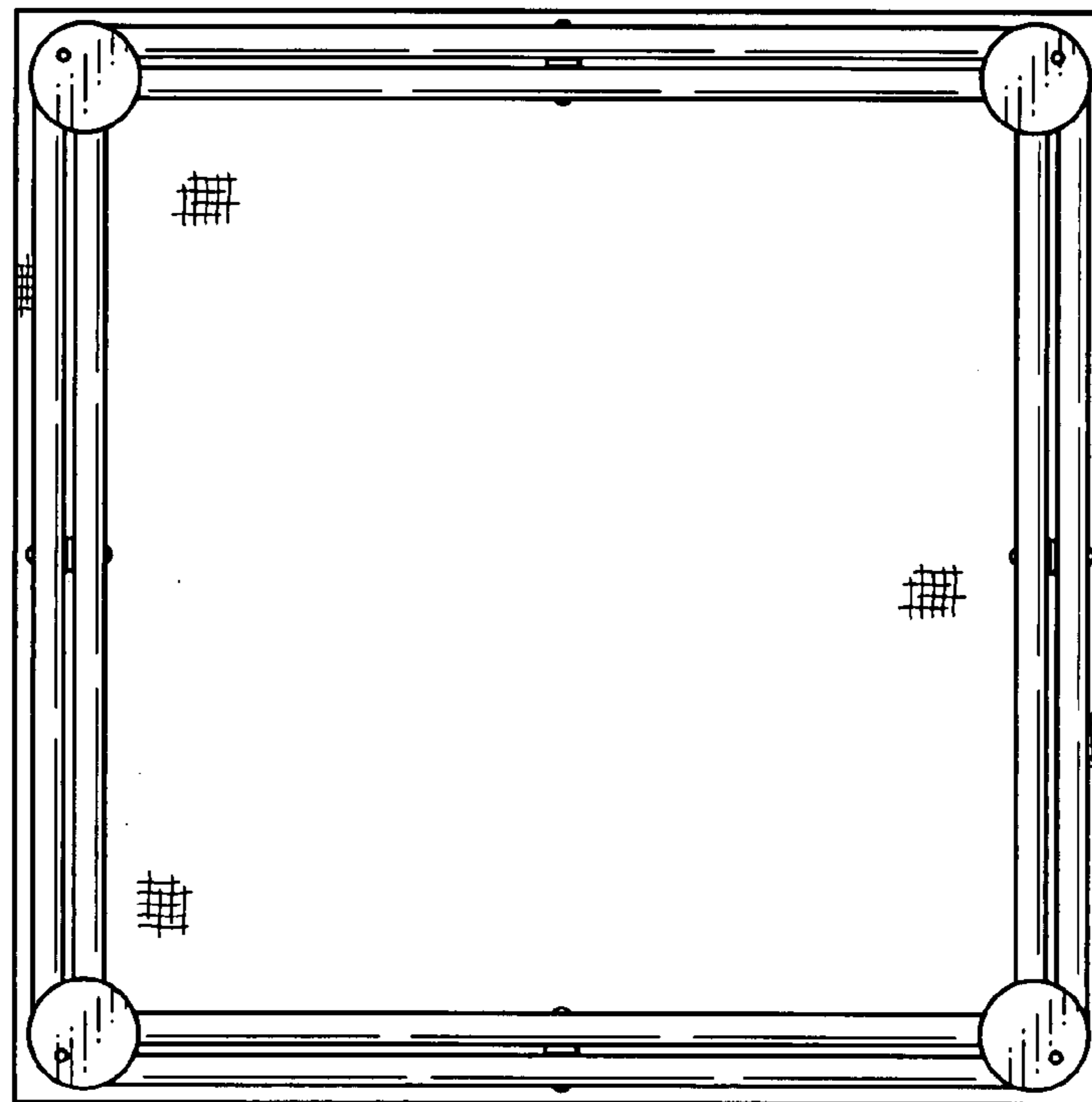
*FIG. 4*



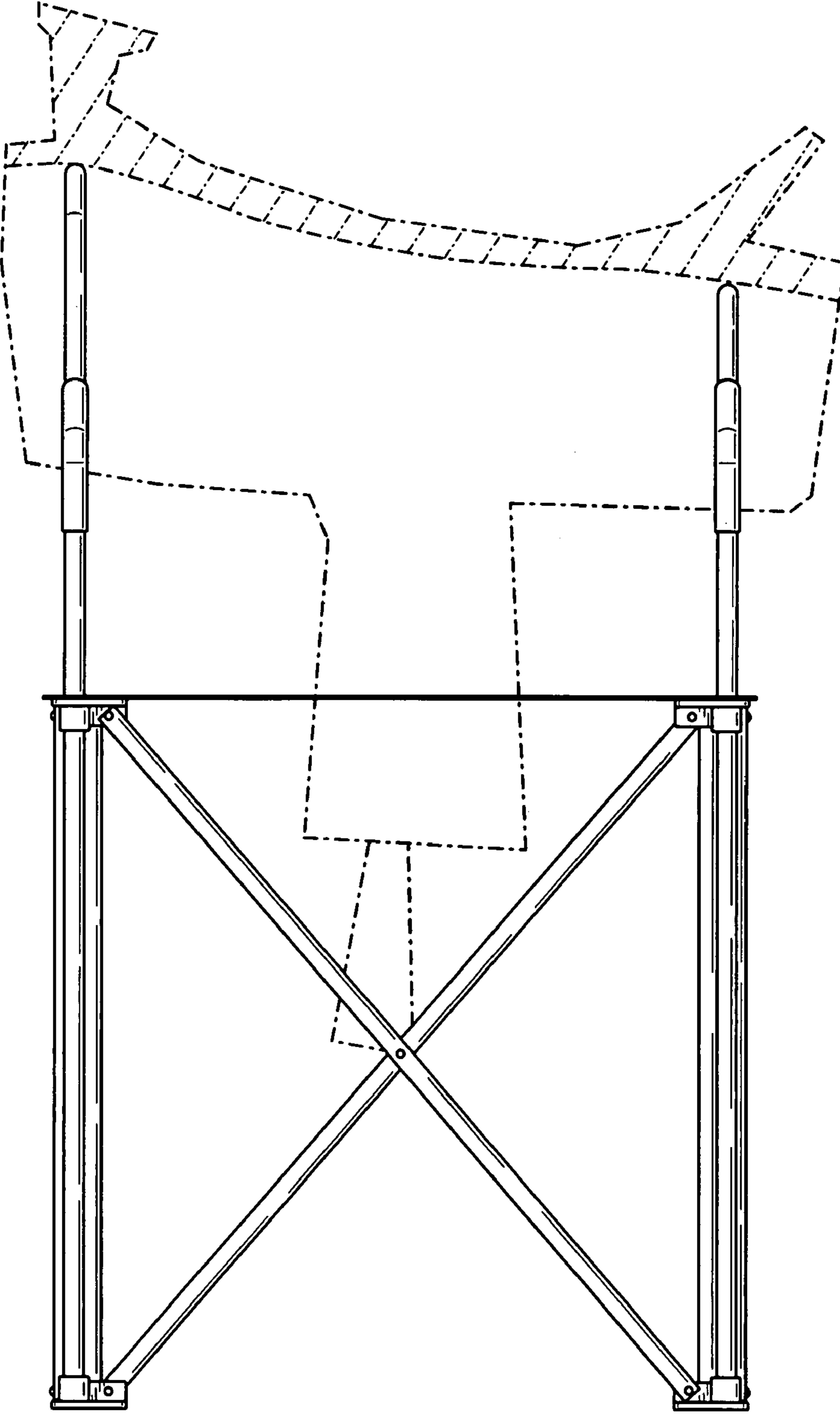
*FIG. 5*



*FIG. 6*

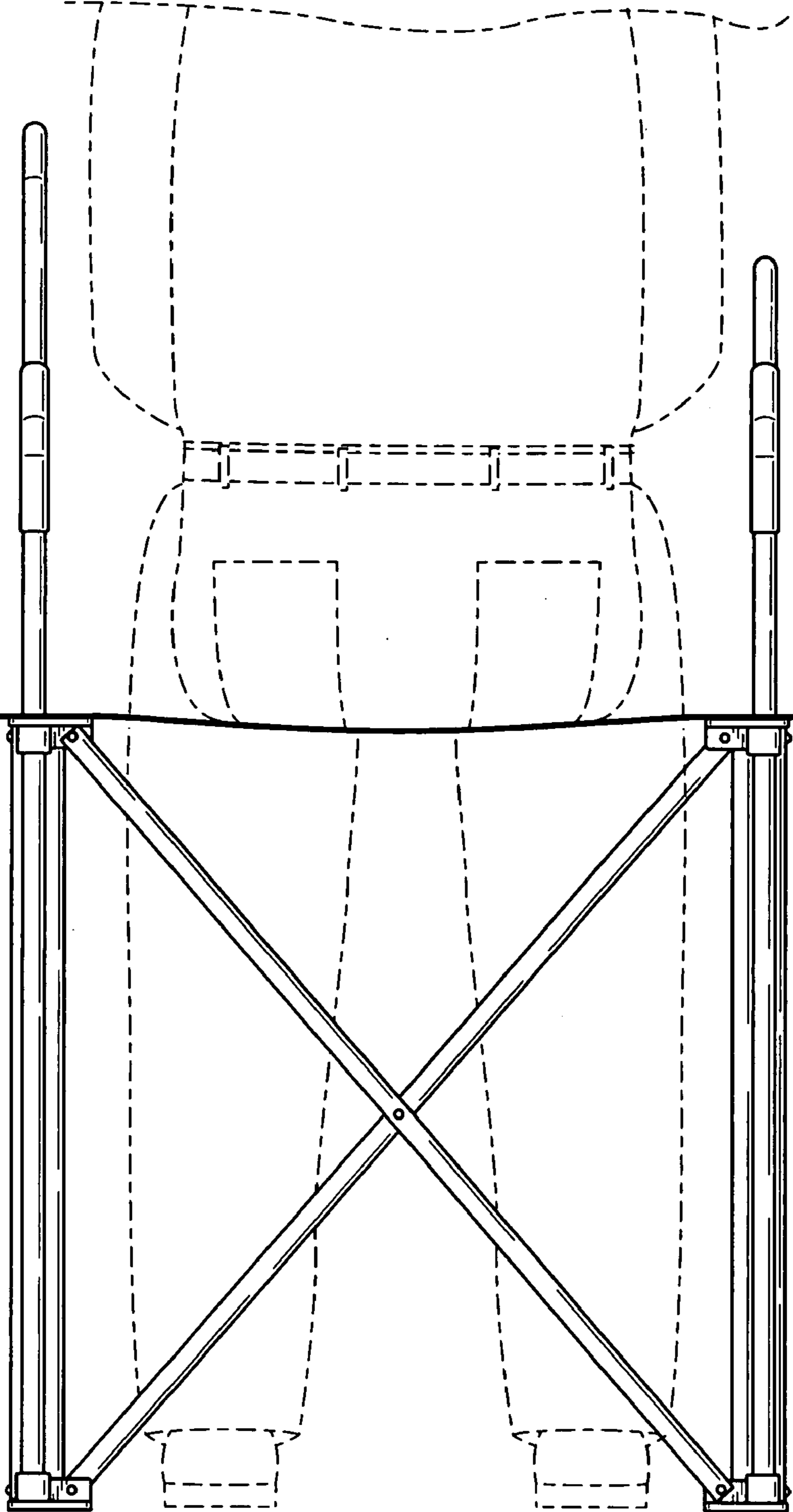


*FIG. 7*

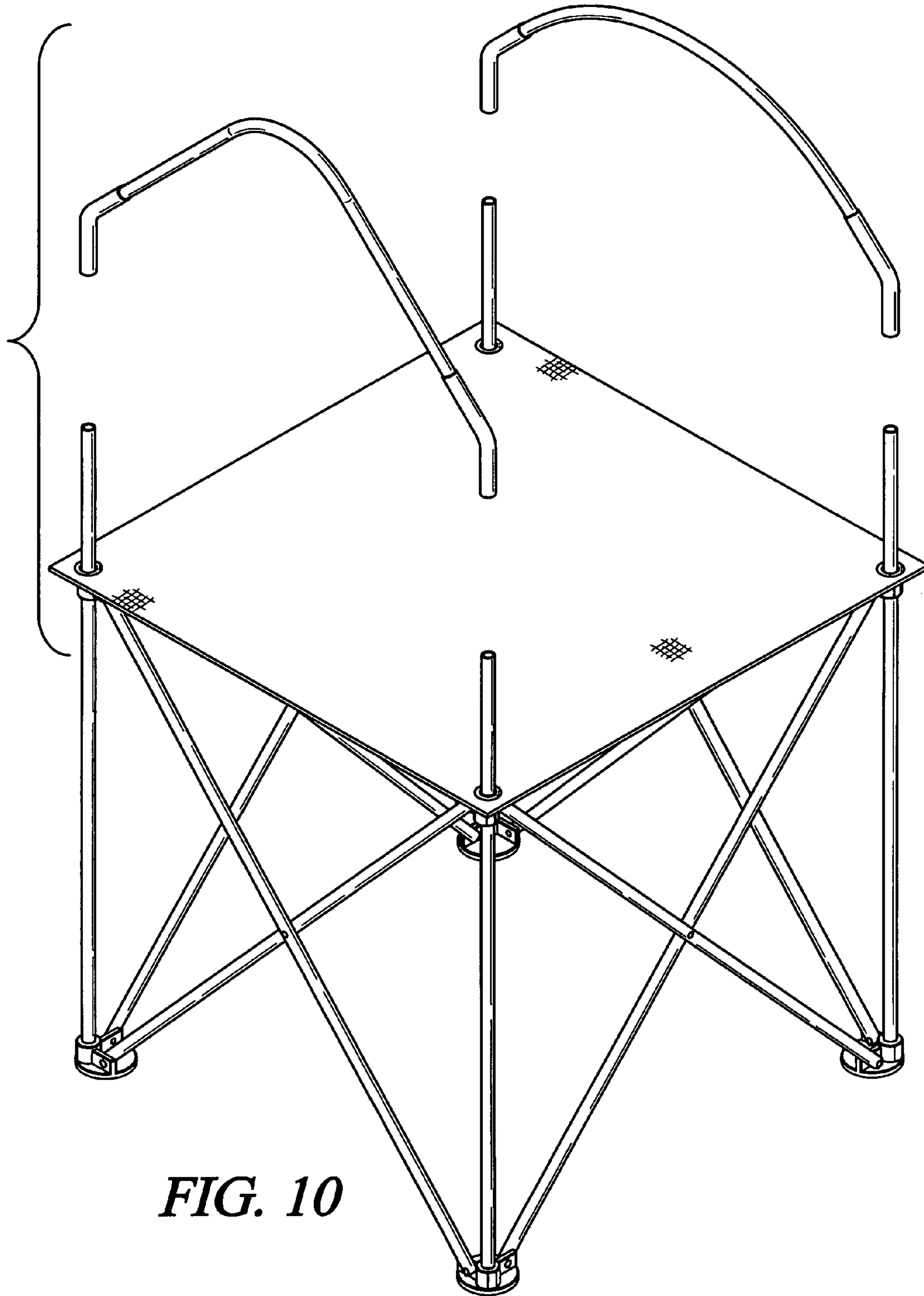


*FIG. 8*

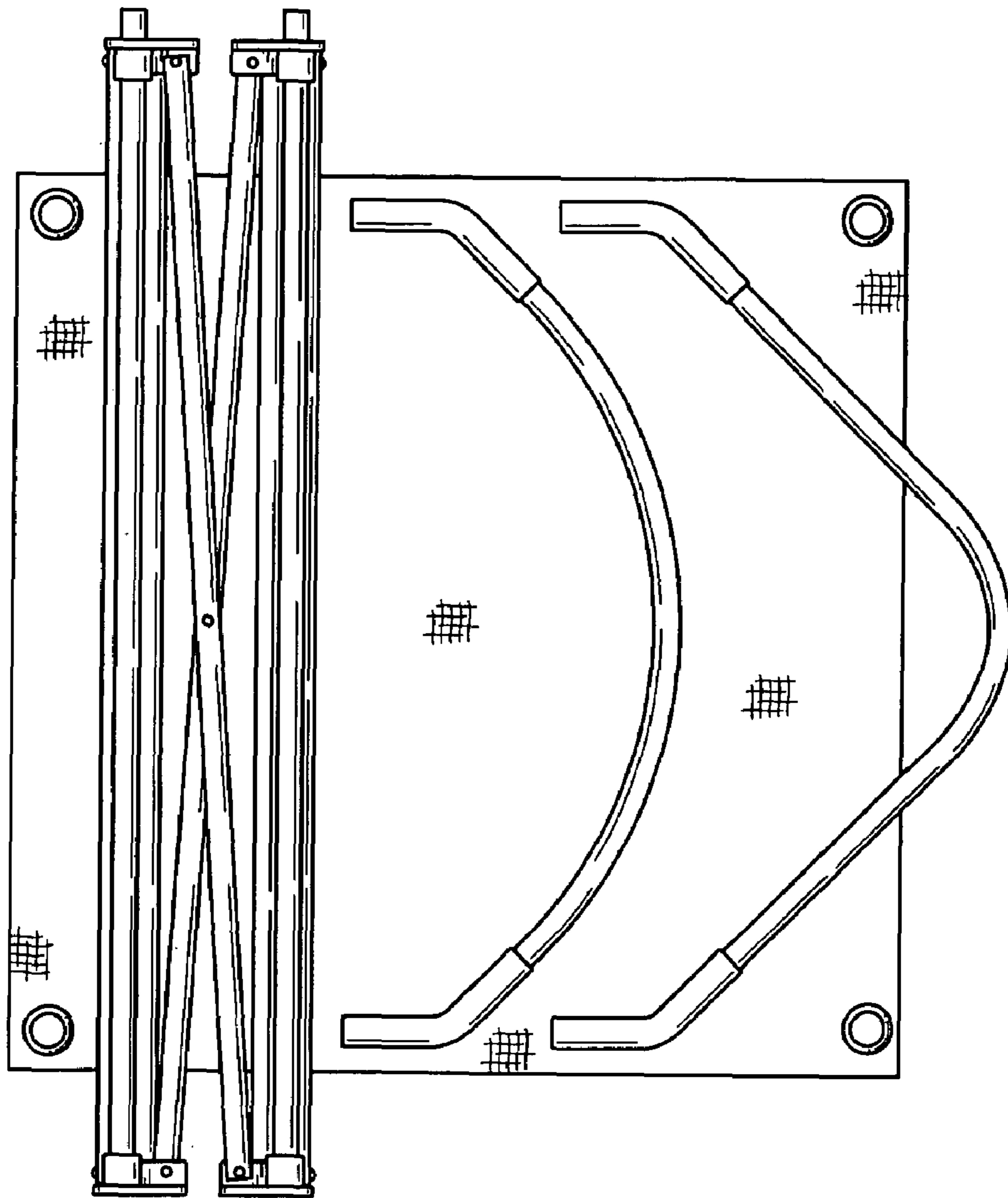




**FIG. 9**



**FIG. 10**



**FIG. 11**