



US00D569637S

(12) **United States Design Patent**
Raftery et al.

(10) **Patent No.:** **US D569,637 S**

(45) **Date of Patent:** **** May 27, 2008**

(54) **CHAIR WITH UPHOLSTERED MESH
BACKREST**

(75) Inventors: **William B. Raftery**, Canton, OH (US);
John Henry Heyder, Orleans, IN (US)

(73) Assignee: **HNI Technologies Inc.**, Muscatine, IA
(US)

(**) Term: **14 Years**

(21) Appl. No.: **29/298,505**

(22) Filed: **Dec. 6, 2007**

Related U.S. Application Data

(62) Division of application No. 29/240,617, filed on Oct.
14, 2005.

(51) **LOC (8) Cl.** **06-01**

(52) **U.S. Cl.** **D6/366**

(58) **Field of Classification Search** D6/334-336,
D6/364-366, 367, 369, 379, 380, 498, 500-502;
297/353, 354.1, 411.2, 411.27, 452.29, 452.32,
297/452.35, 452.48, 452.64

See application file for complete search history.

(56) **References Cited**

U.S. PATENT DOCUMENTS

D407,911 S *	4/1999	Brauning	D6/366
D418,316 S *	1/2000	Vogtherr	D6/366
D445,579 S *	7/2001	Olson	D6/366
D479,416 S *	9/2003	Raftery	D6/502
D483,583 S *	12/2003	Raftery	D6/502

D485,097 S *	1/2004	Raftery	D6/502
D507,134 S *	7/2005	Raftery	D6/502

* cited by examiner

Primary Examiner—Mimosa De

(74) *Attorney, Agent, or Firm*—Faegre & Benson, LLP

(57) **CLAIM**

The ornamental design for a chair with upholstered mesh backrest, as shown and described.

DESCRIPTION

FIG. 1 is a perspective view of an embodiment of a chair with upholstered mesh backrest

FIG. 2 is a front view of the chair with upholstered mesh backrest of FIG. 1.

FIG. 3 is a back view of the chair with upholstered mesh backrest of FIG. 1.

FIG. 4 is a side view of the chair with upholstered mesh backrest of FIG. 1.

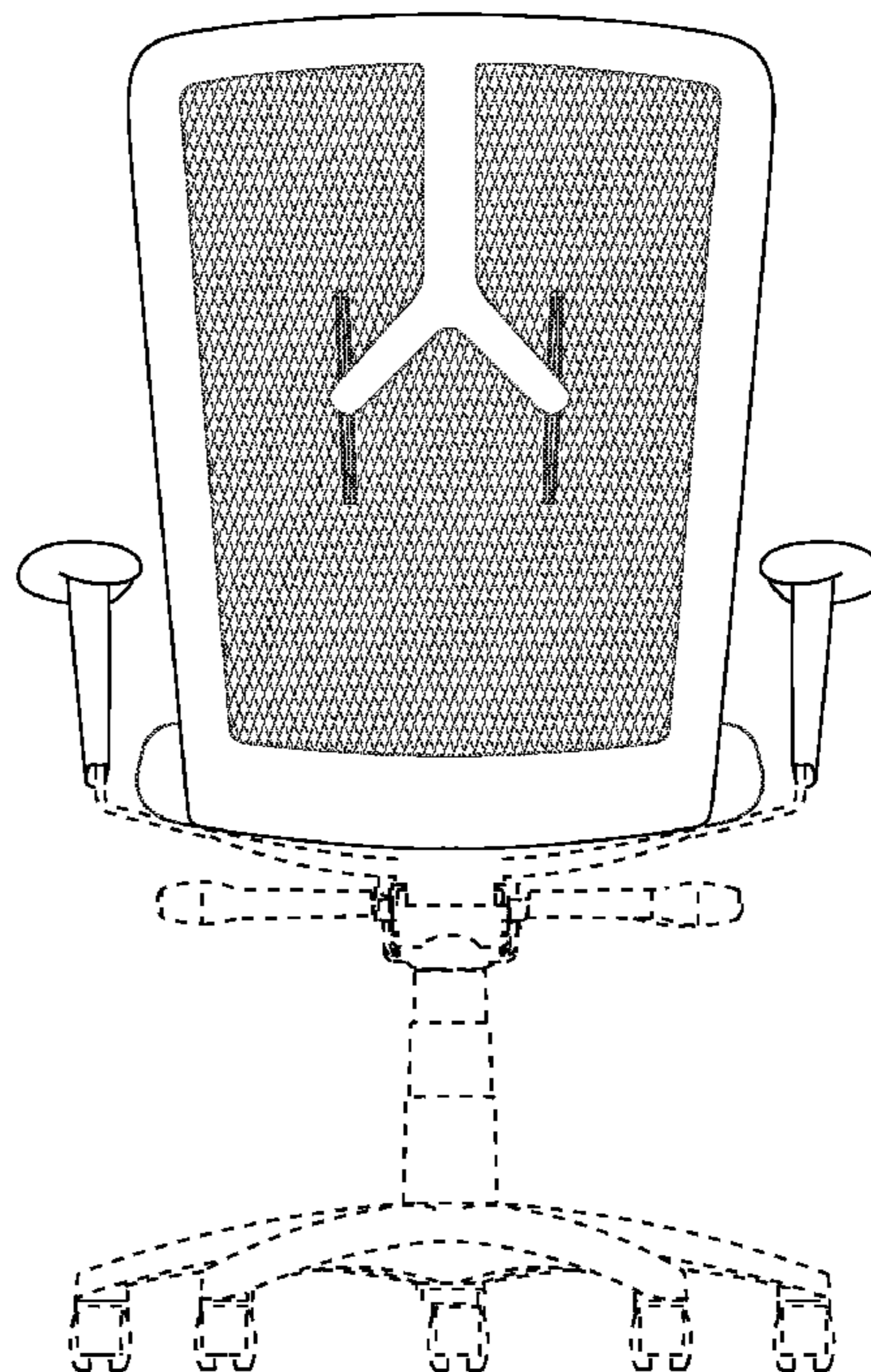
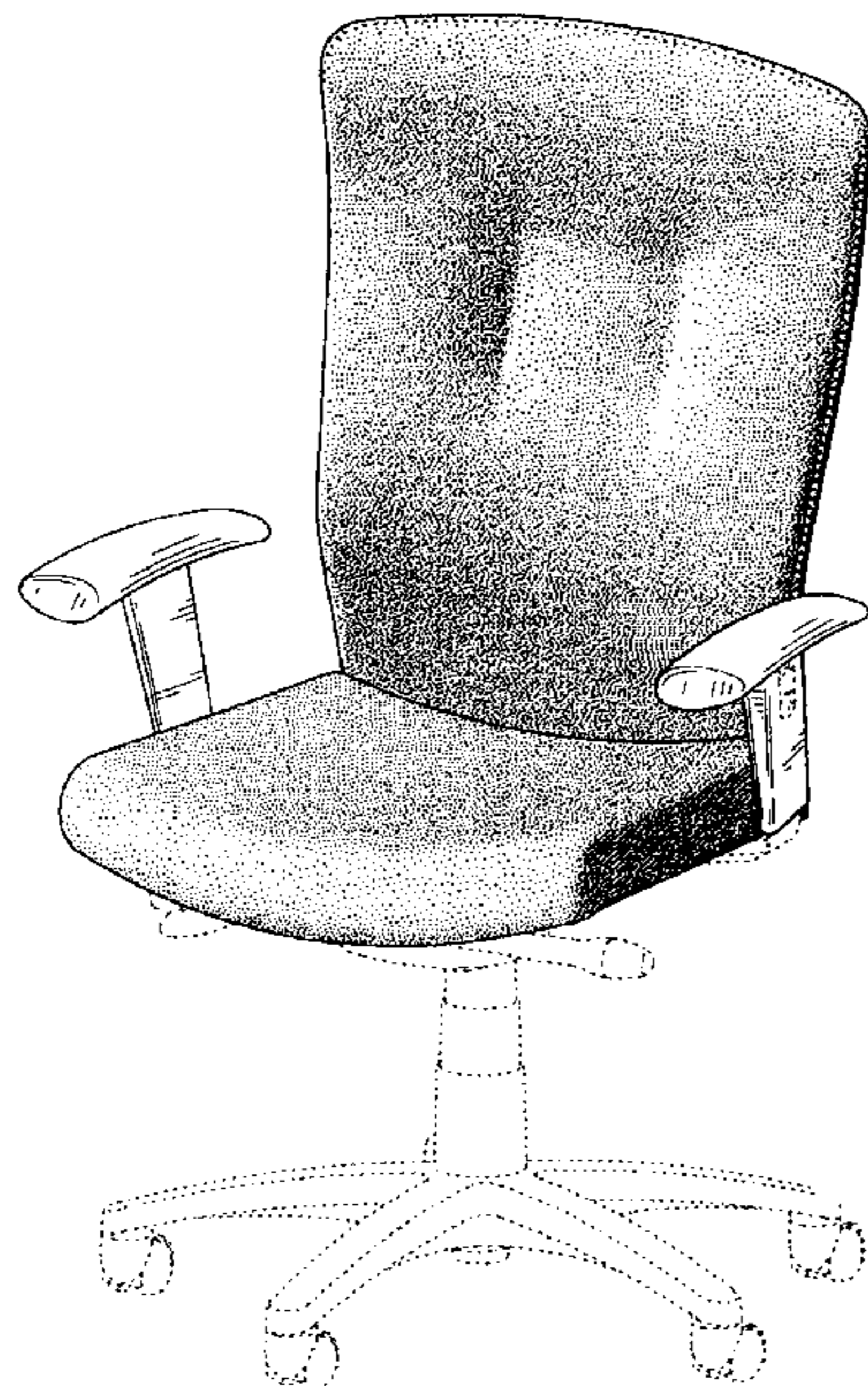
FIG. 5 is another side view of the chair with upholstered mesh backrest of FIG. 1.

FIG. 6 is a top view of the chair with upholstered mesh backrest of FIG. 1; and,

FIG. 7 is a bottom view of the chair with upholstered mesh backrest of FIG. 1.

The broken lines shown in FIGS. 1 through 7, inclusive, are for illustrative purpose only and form no part of the claimed design.

1 Claim, 7 Drawing Sheets



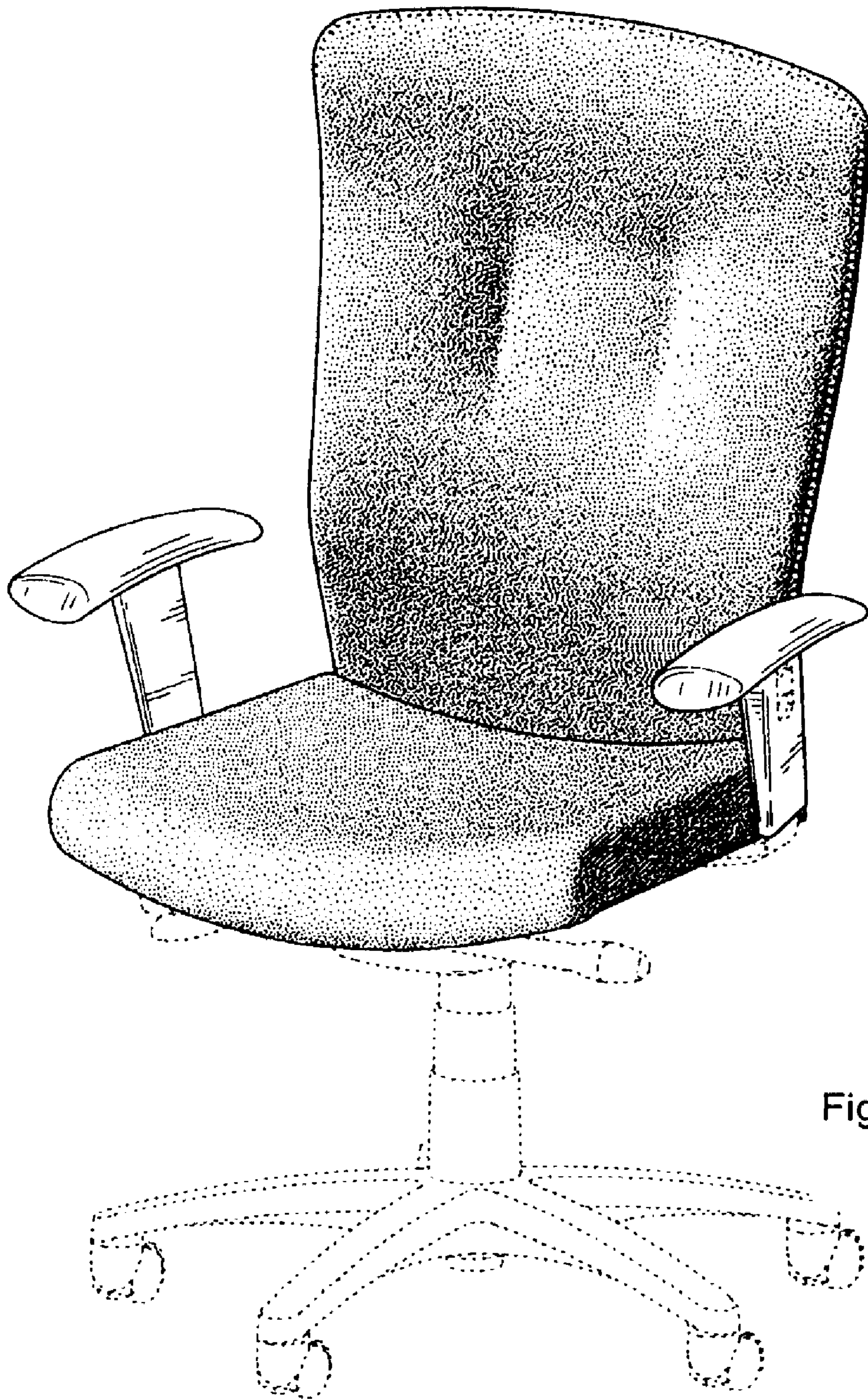


Figure 1

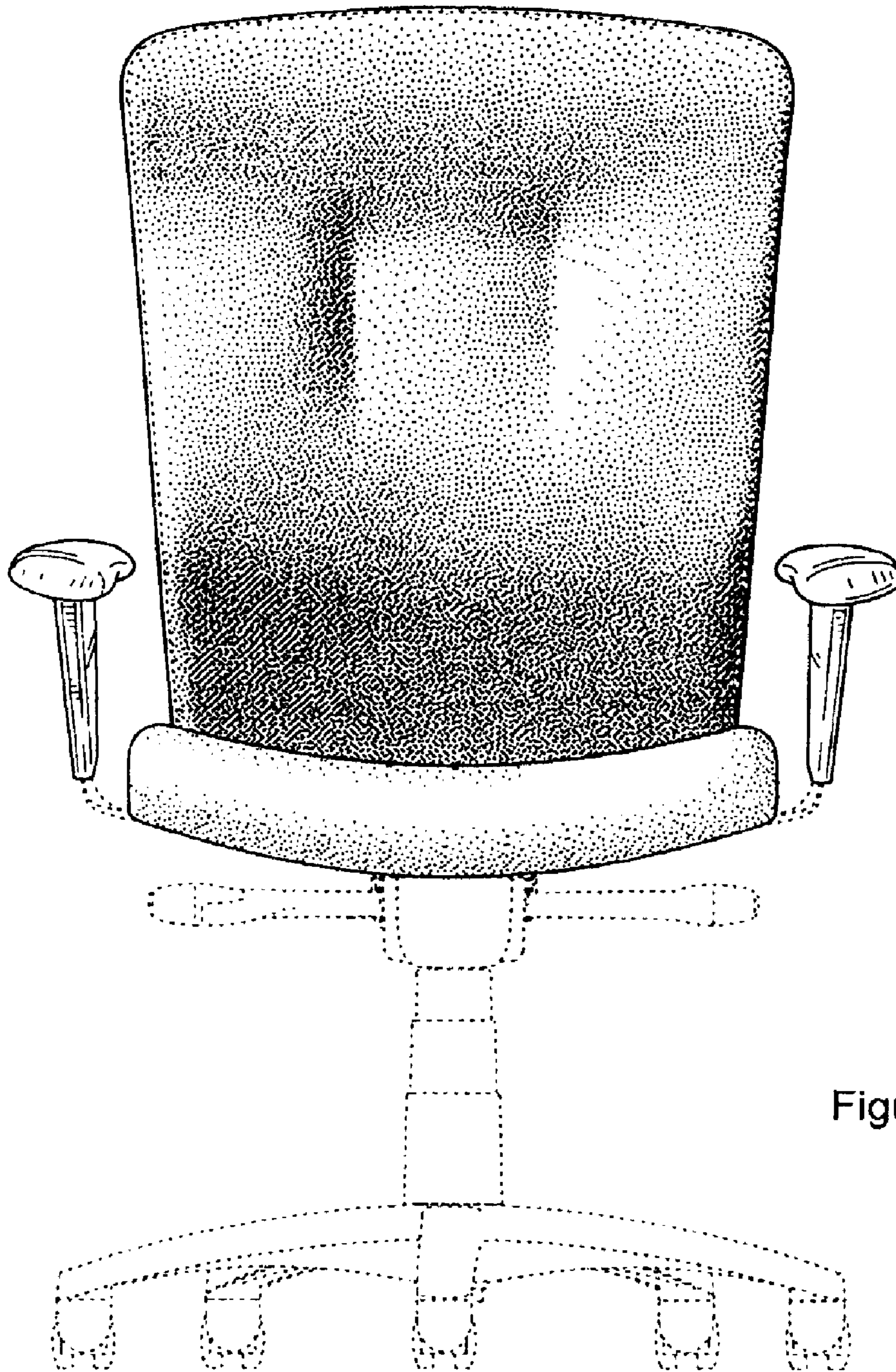


Figure 2

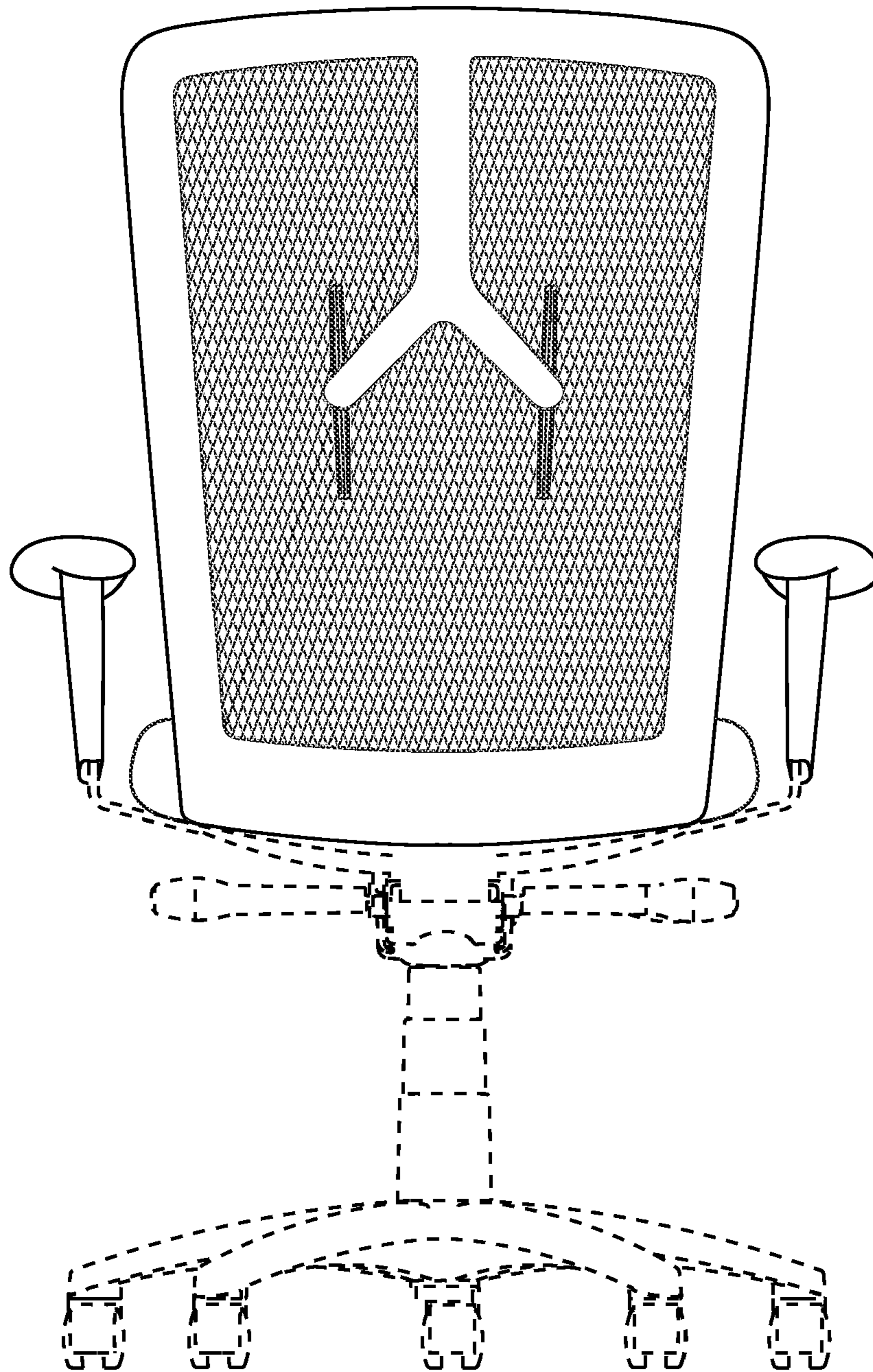


FIG. 3

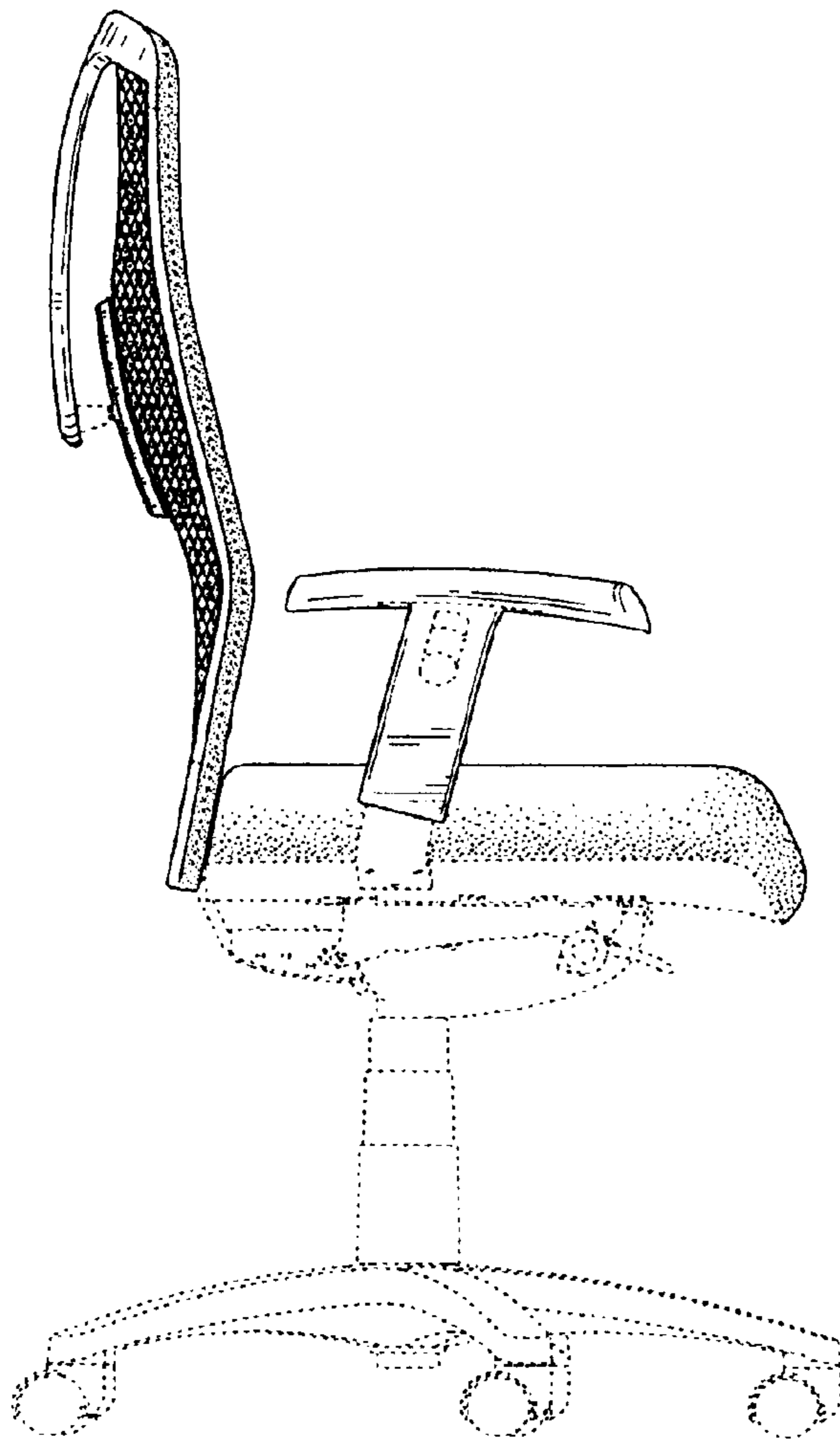


Figure 4

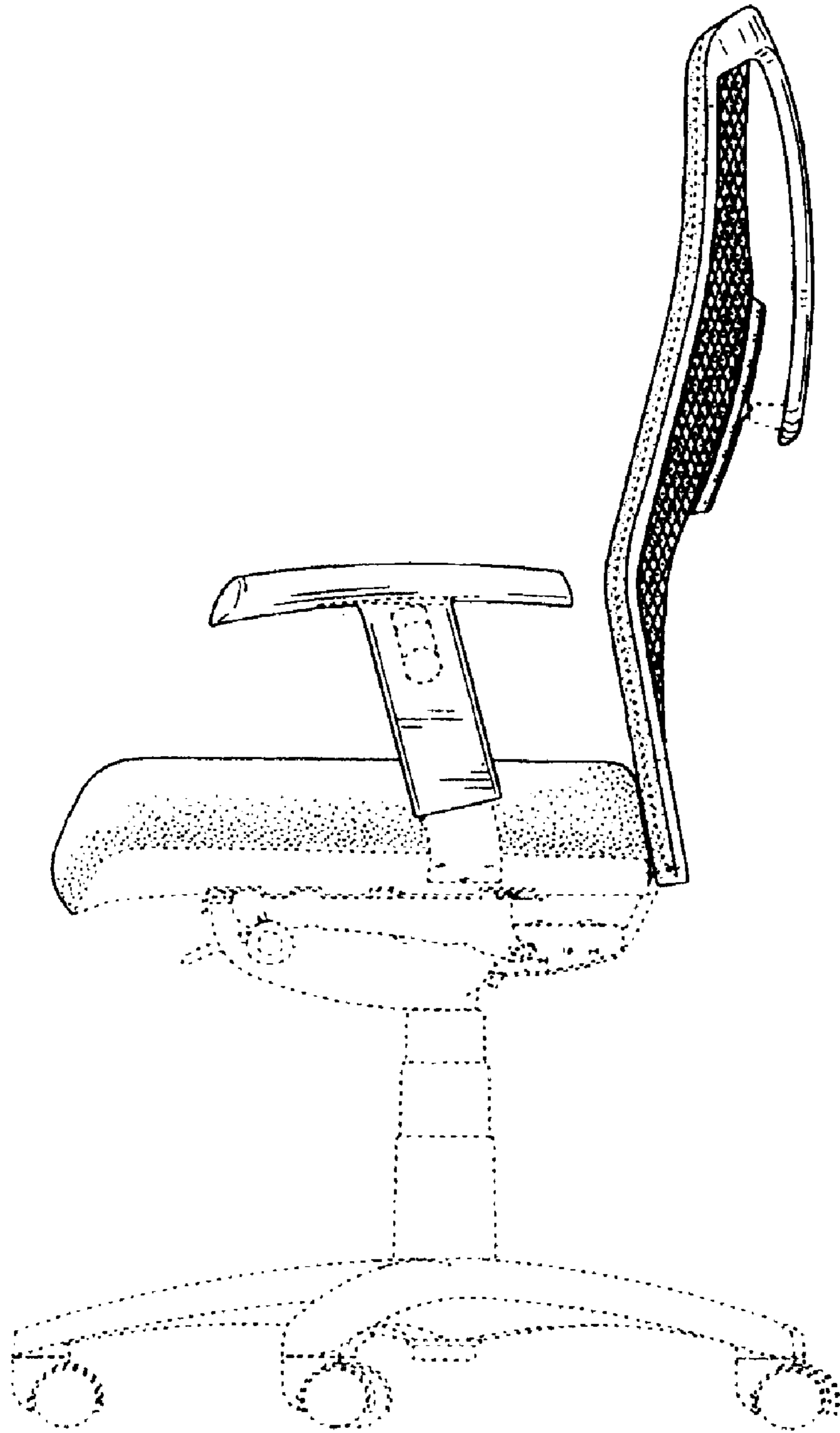


Figure 5

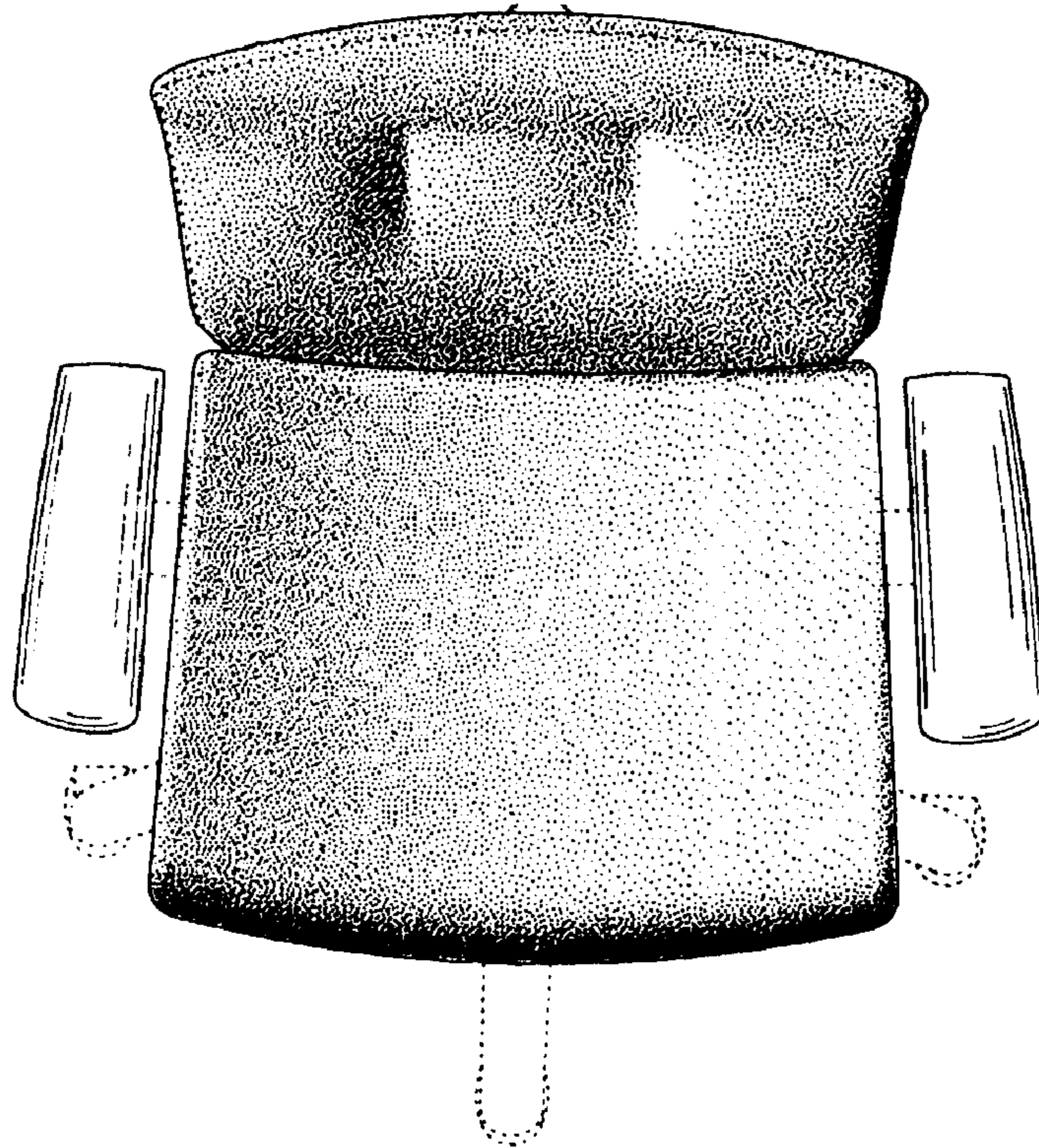


Figure 6

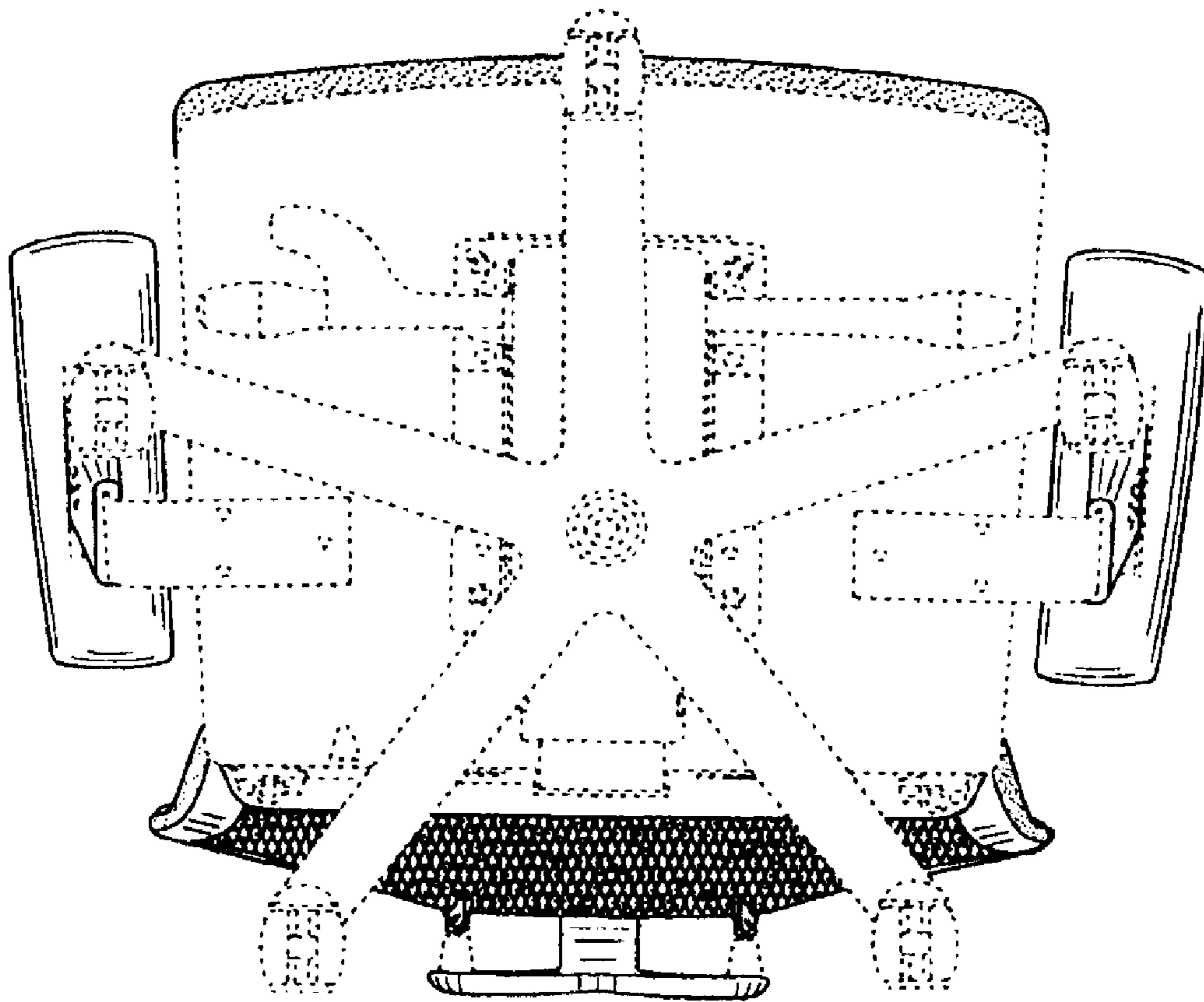


Figure 7