

US00D569636S

(12) **United States Design Patent**
Wagner

(10) **Patent No.:** **US D569,636 S**

(45) **Date of Patent:** **** May 27, 2008**

(54) **CHAIR**

(75) Inventor: **Peter Wagner**, Langenneufnach (DE)

(73) Assignee: **Topstar GmbH** (DE)

(**) Term: **14 Years**

(21) Appl. No.: **29/278,947**

(22) Filed: **Apr. 16, 2007**

(30) **Foreign Application Priority Data**

Feb. 9, 2007 (EM) 000 668 124 0002

(51) **LOC (8) Cl.** **06-01**

(52) **U.S. Cl.** **D6/366**

(58) **Field of Classification Search** D6/334-336,
D6/364-367, 374, 379, 380, 498, 500-502;
297/353, 354.1, 411.2, 411.27, 411.36, 452.29,
297/452.32, 452.35, 452.48

See application file for complete search history.

(56) **References Cited**

U.S. PATENT DOCUMENTS

- D350,032 S * 8/1994 Beaulieu D6/366
- D368,596 S * 4/1996 Breen D6/366
- D391,089 S * 2/1998 Chu D6/366
- D399,664 S * 10/1998 Goodworth et al. D6/366

- D413,027 S * 8/1999 Breen D6/366
- D514,338 S * 2/2006 Bellin D6/366
- D530,533 S * 10/2006 Mehaffey et al. D6/366
- D547,958 S * 8/2007 Huang D6/366
- D557,027 S * 12/2007 Hara D6/366
- D557,913 S * 12/2007 Ong D6/366

* cited by examiner

Primary Examiner—Mimosa De

(74) *Attorney, Agent, or Firm*—Cantor Colburn LLP

(57) **CLAIM**

I claim, the ornamental design for a chair, as shown and described.

DESCRIPTION

FIG. 1 is a front perspective view of a chair, showing my new design;

FIG. 2 is a front view thereof;

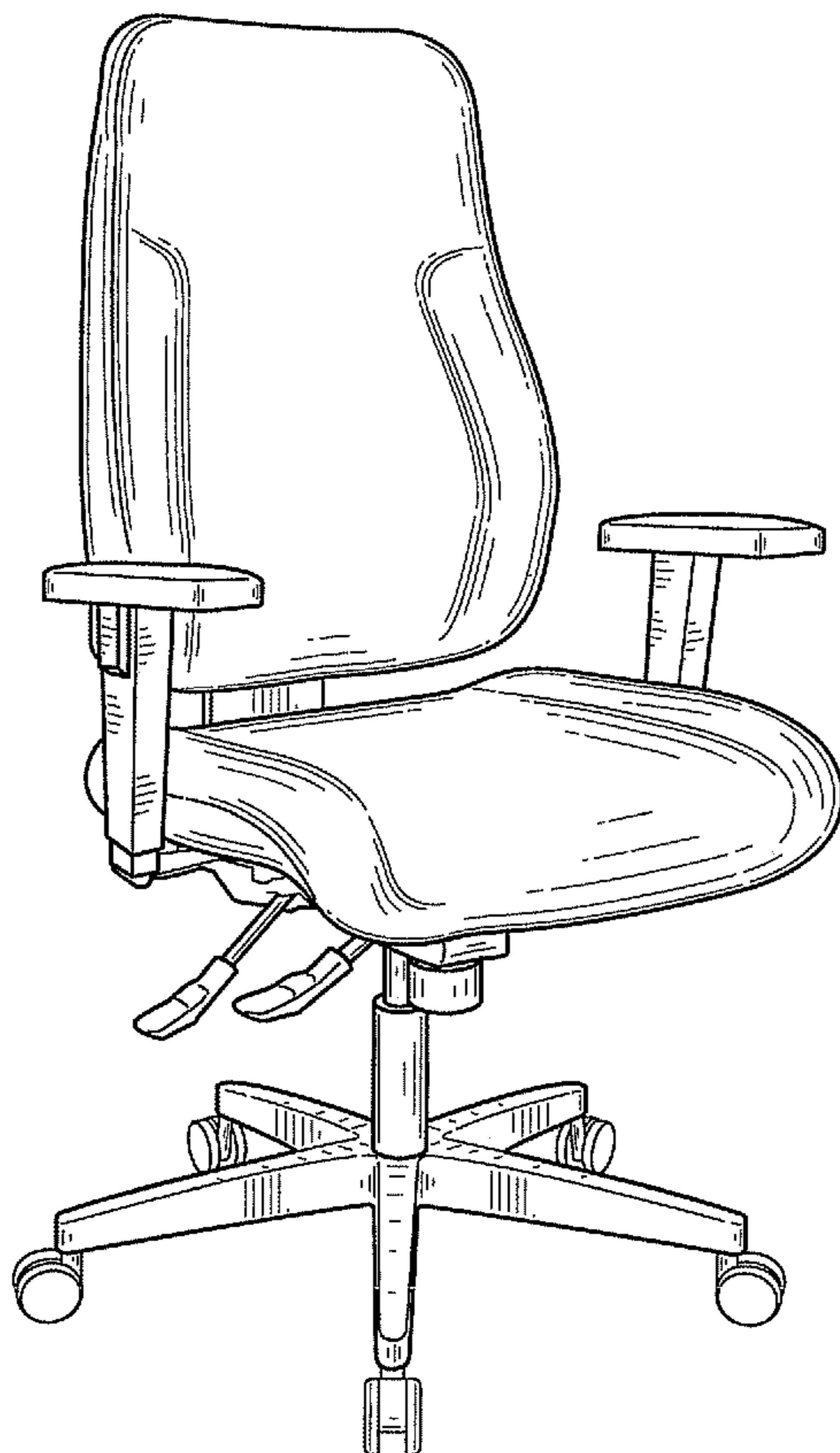
FIG. 3 is a rear view thereof;

FIG. 4 is a side view thereof taken from the left of FIG. 2;

FIG. 5 is a side view thereof taken from the right of FIG. 2; and,

FIG. 6 is a top plan view thereof.

1 Claim, 6 Drawing Sheets



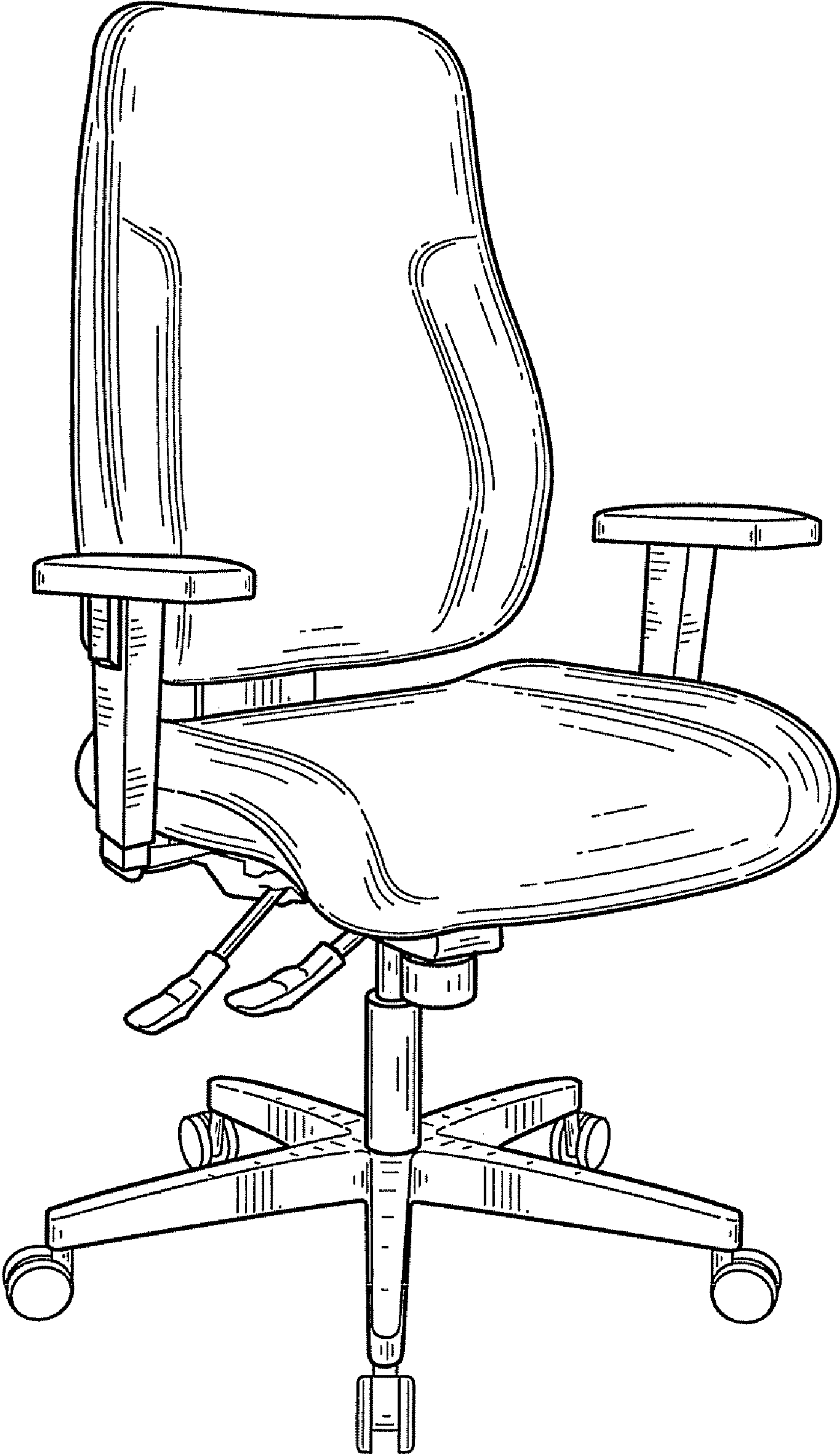


FIG. 1

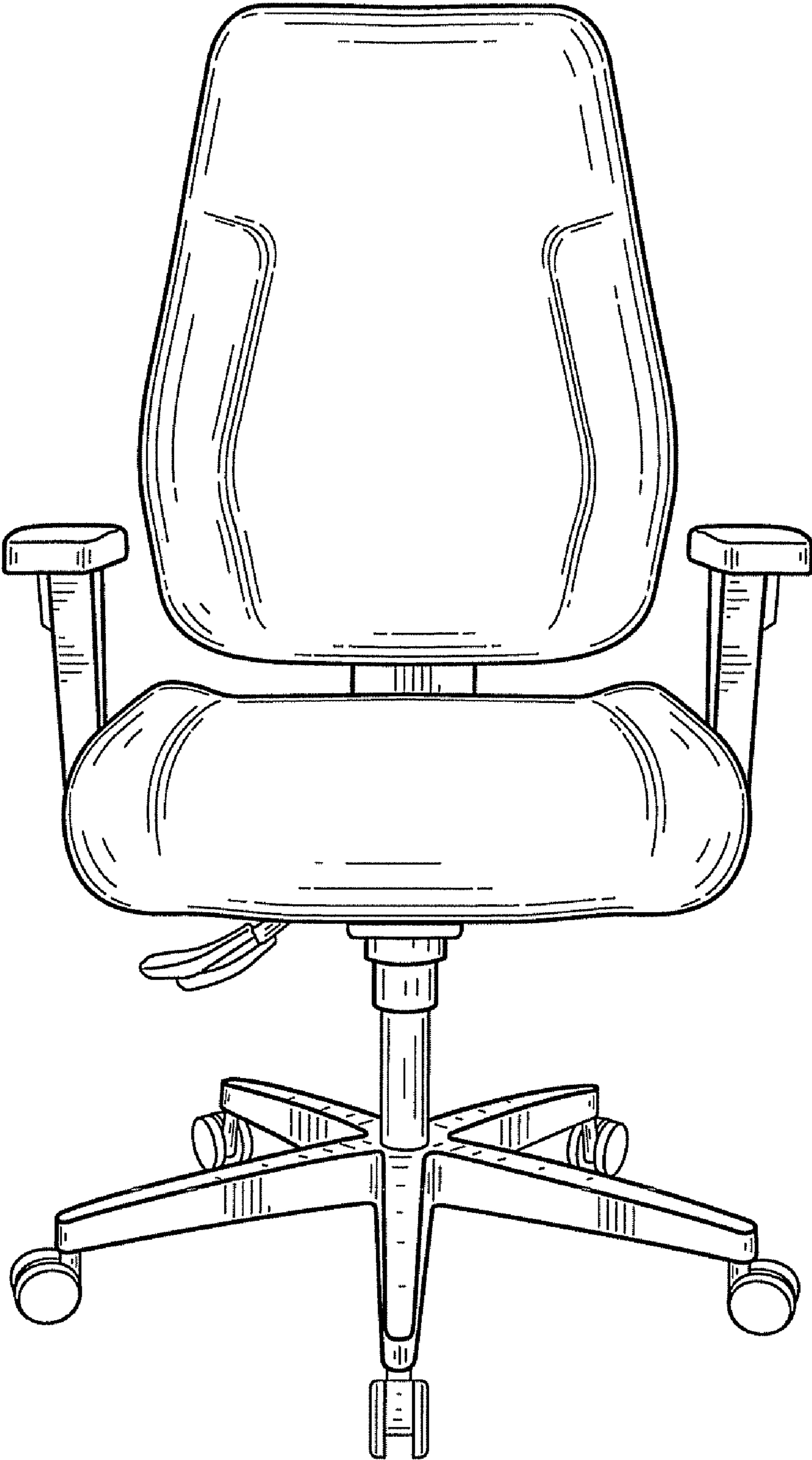


FIG. 2

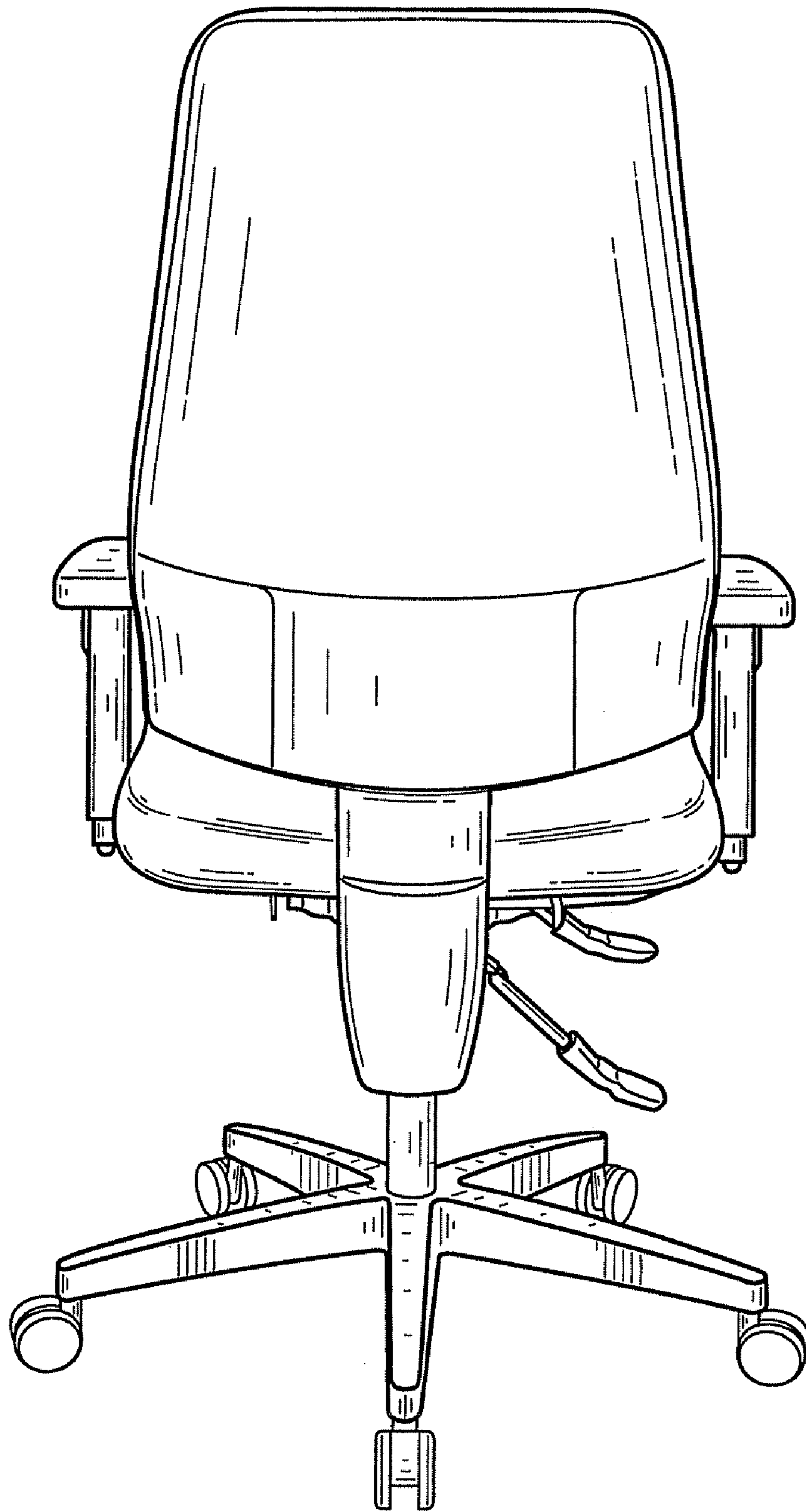


FIG. 3



FIG. 4



FIG. 5

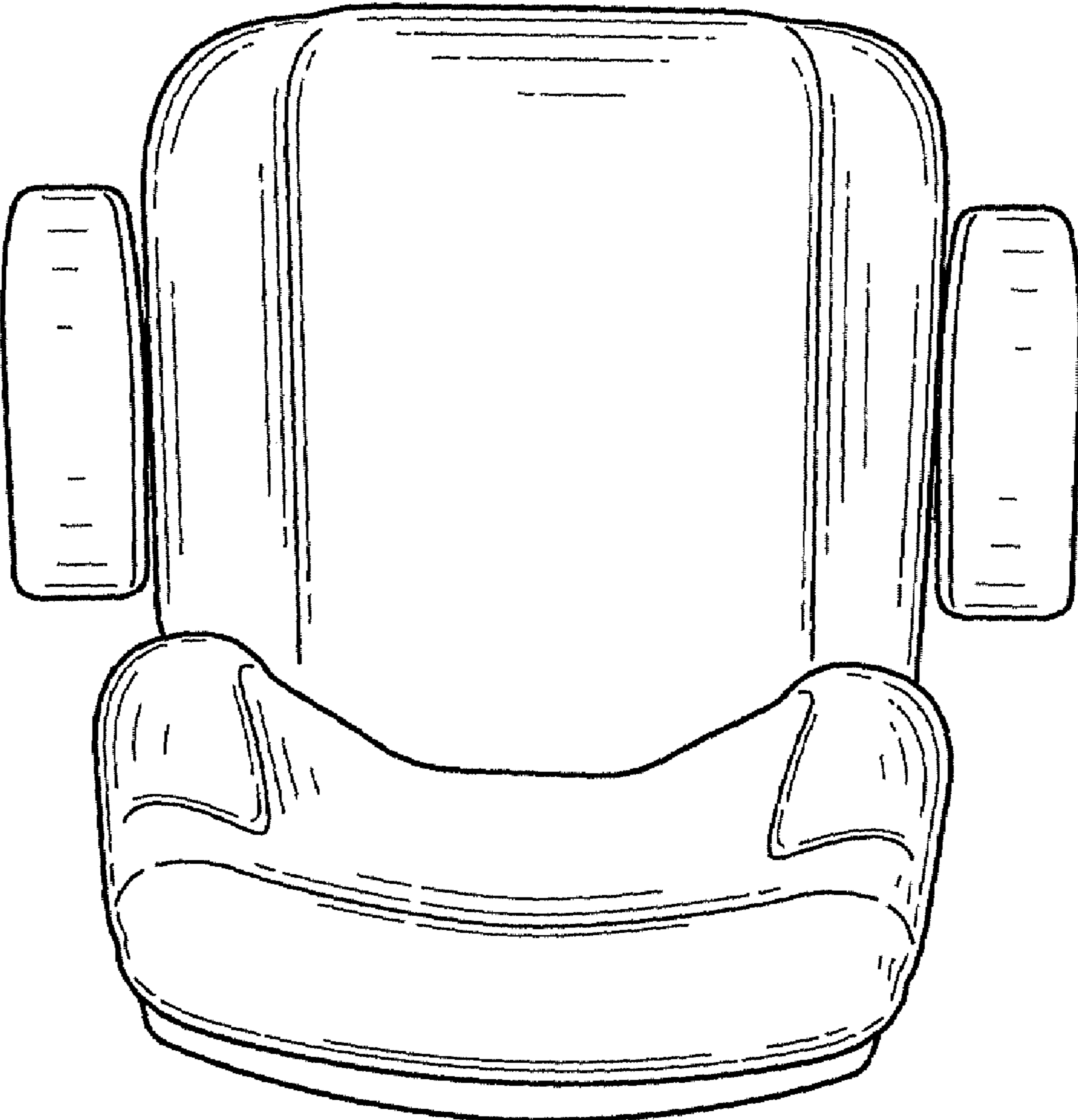


FIG. 6