



US00D569630S

(12) **United States Design Patent**
Bradford

(10) **Patent No.:** **US D569,630 S**

(45) **Date of Patent:** **** May 27, 2008**

(54) **PICTURE FRAME**

(76) **Inventor:** **Richard N. Bradford**, 578 North St.,
Longwood, FL (US) 32750

(**) **Term:** **14 Years**

(21) **Appl. No.:** **29/271,853**

(22) **Filed:** **Jan. 29, 2007**

(51) **LOC (8) Cl.** **06-07**

(52) **U.S. Cl.** **D6/310**

(58) **Field of Classification Search** D6/300-314;
40/700, 711, 714-717, 721, 725, 722, 745,
40/748, 754, 755, 756, 790

See application file for complete search history.

(56) **References Cited**

U.S. PATENT DOCUMENTS

D278,865 S *	5/1985	McCaffrey	D6/311
D306,659 S *	3/1990	Mercandante	D6/300
D490,990 S *	6/2004	Li	D6/310

* cited by examiner

Primary Examiner—Caron D. Veynar
Assistant Examiner—Sydney R Buffalow

(74) *Attorney, Agent, or Firm*—William M. Hobby, III

(57) **CLAIM**

The ornamental design for a picture frame, as shown and described.

DESCRIPTION

FIG. 1 is a front right side perspective view of my new picture frame;

FIG. 2 is a rear right side perspective;

FIG. 3 is a right side elevation;

FIG. 4 is a left side elevation;

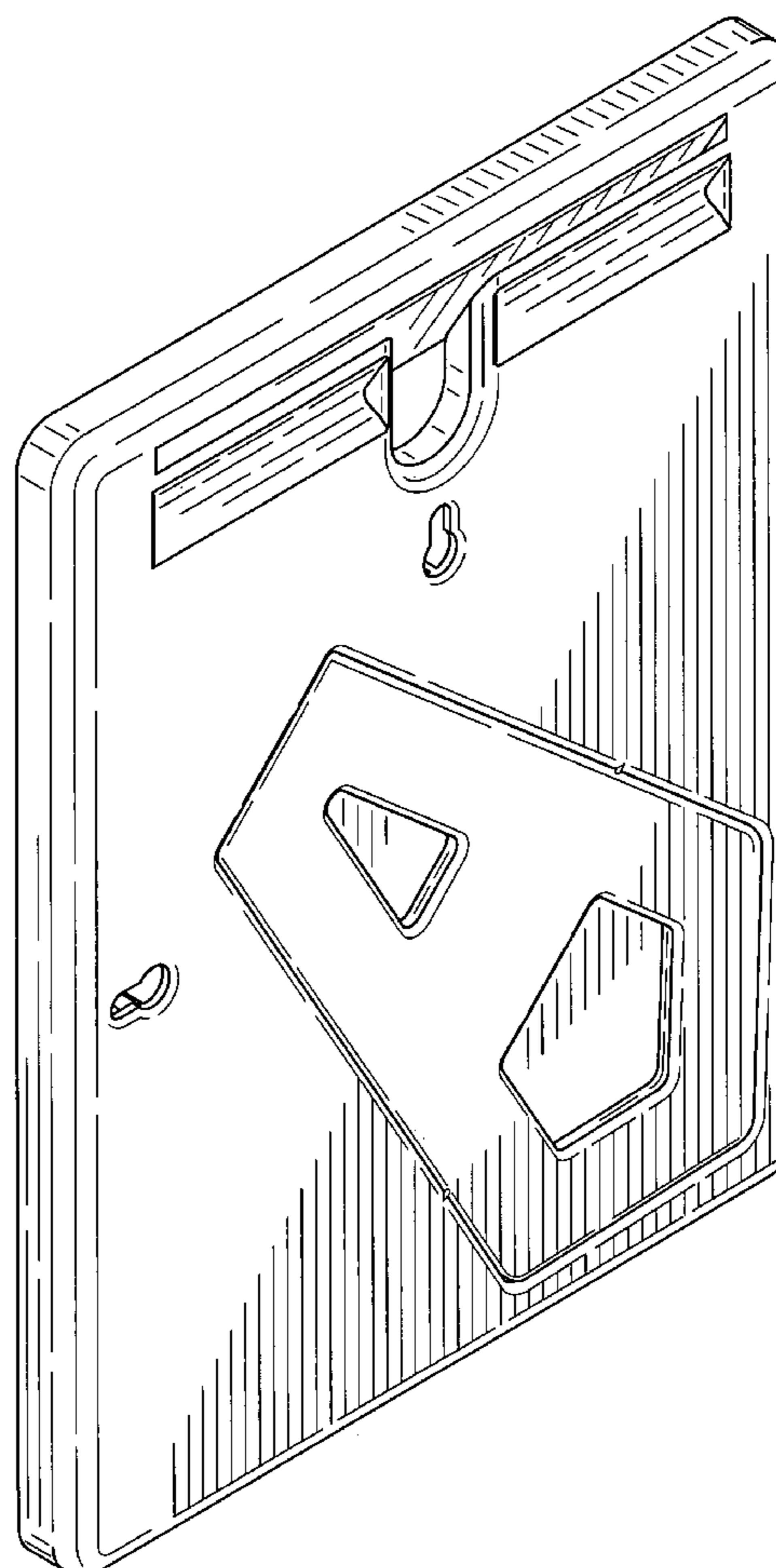
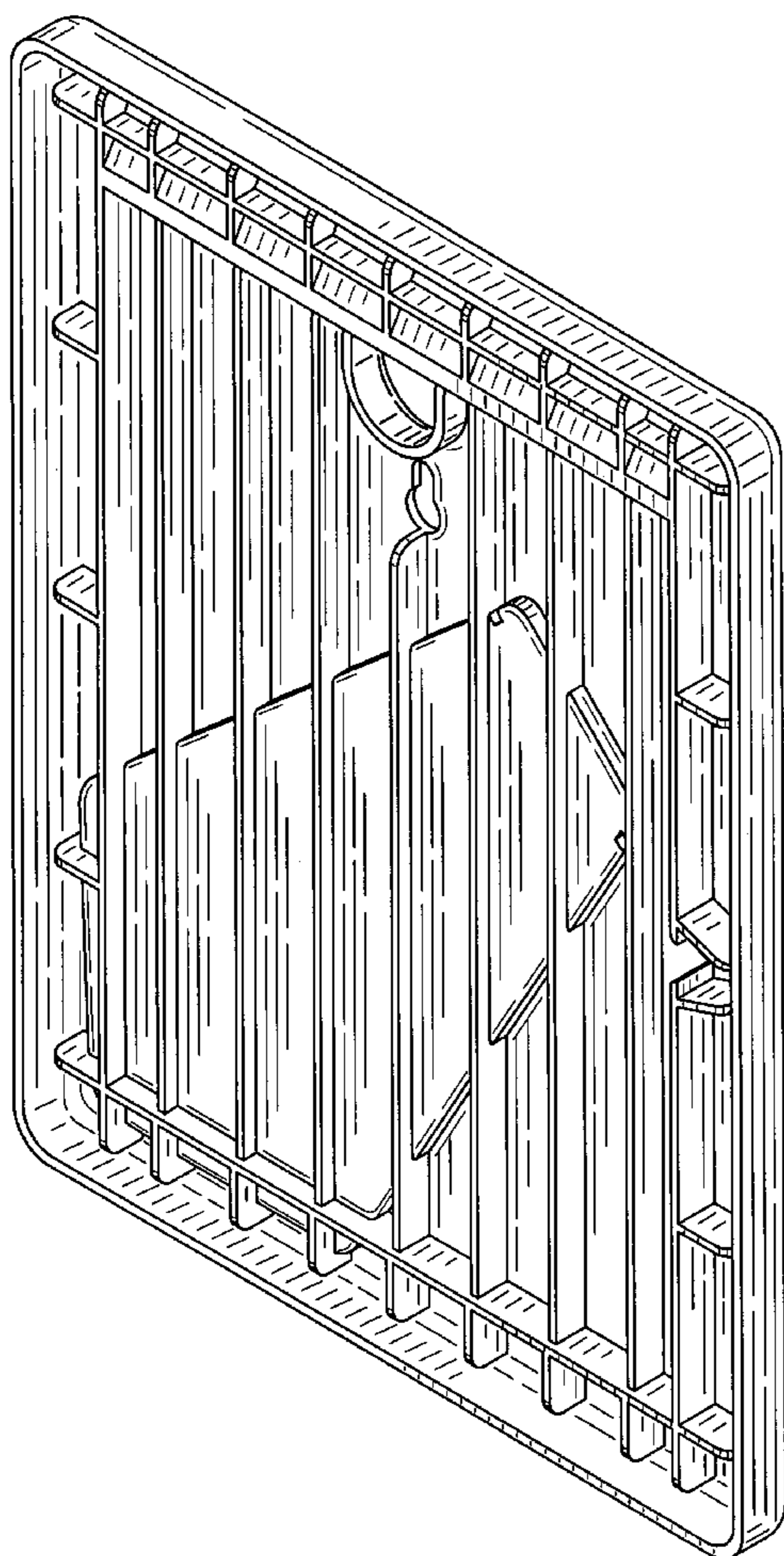
FIG. 5 is a front elevation;

FIG. 6 is a rear elevation;

FIG. 7 is a top plan view; and,

FIG. 8 is a bottom plan view.

1 Claim, 4 Drawing Sheets



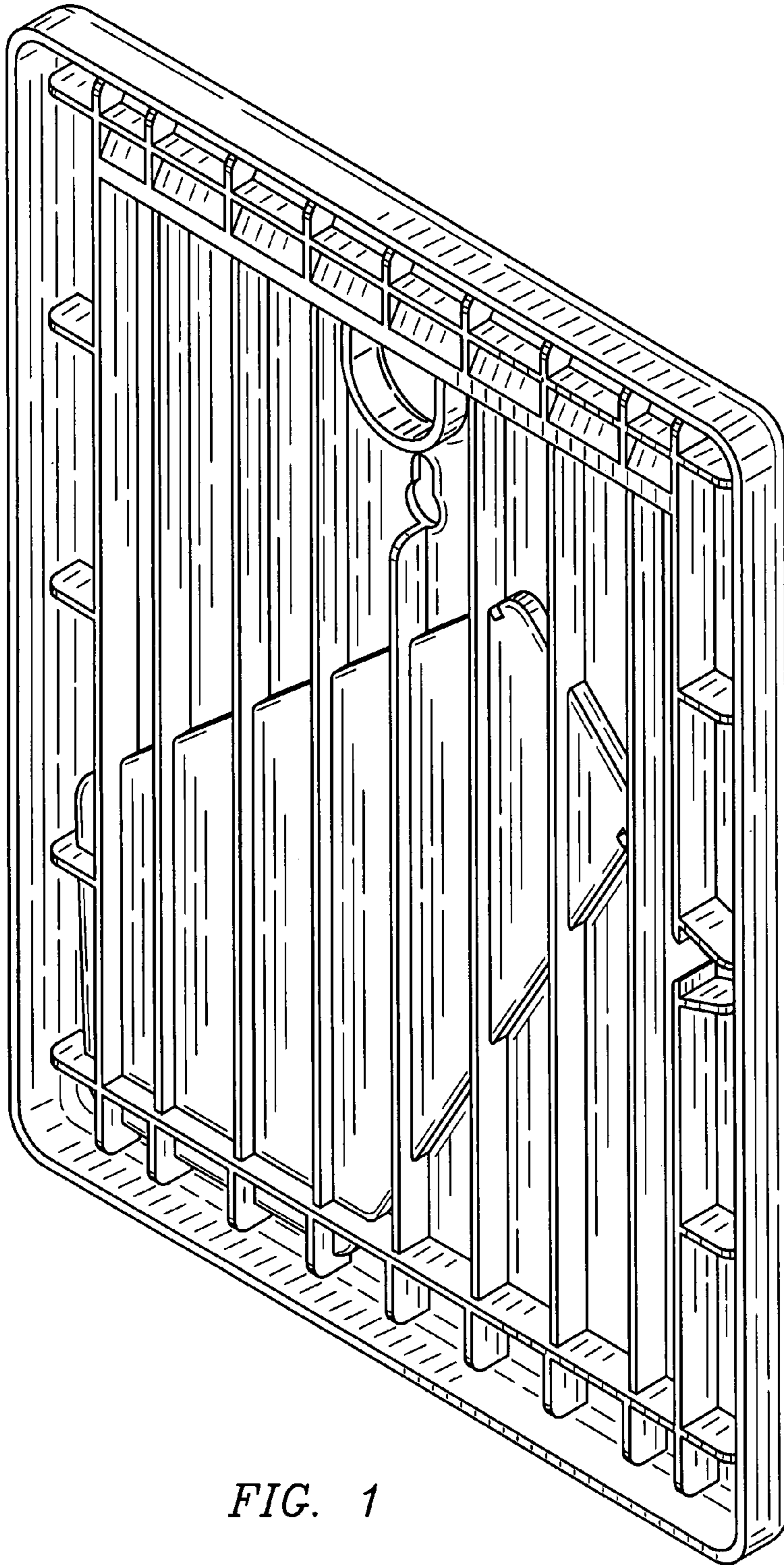


FIG. 1



FIG. 3

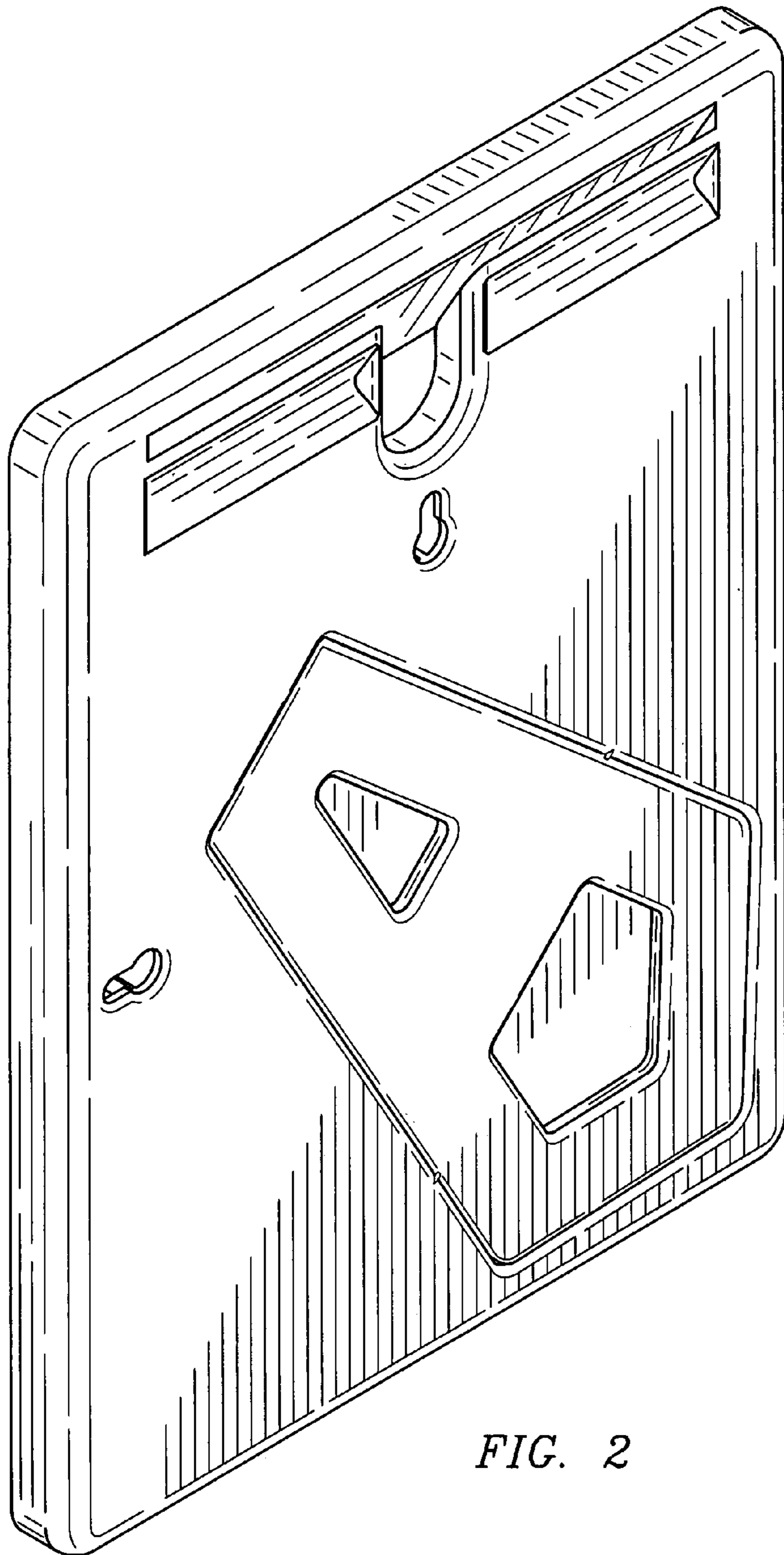


FIG. 2

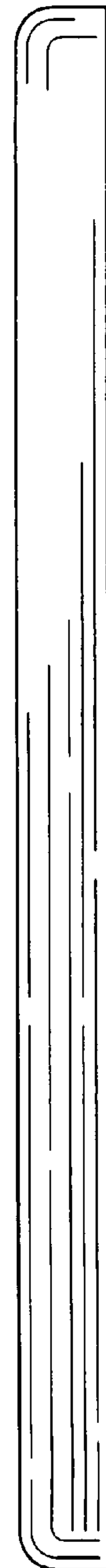


FIG. 4

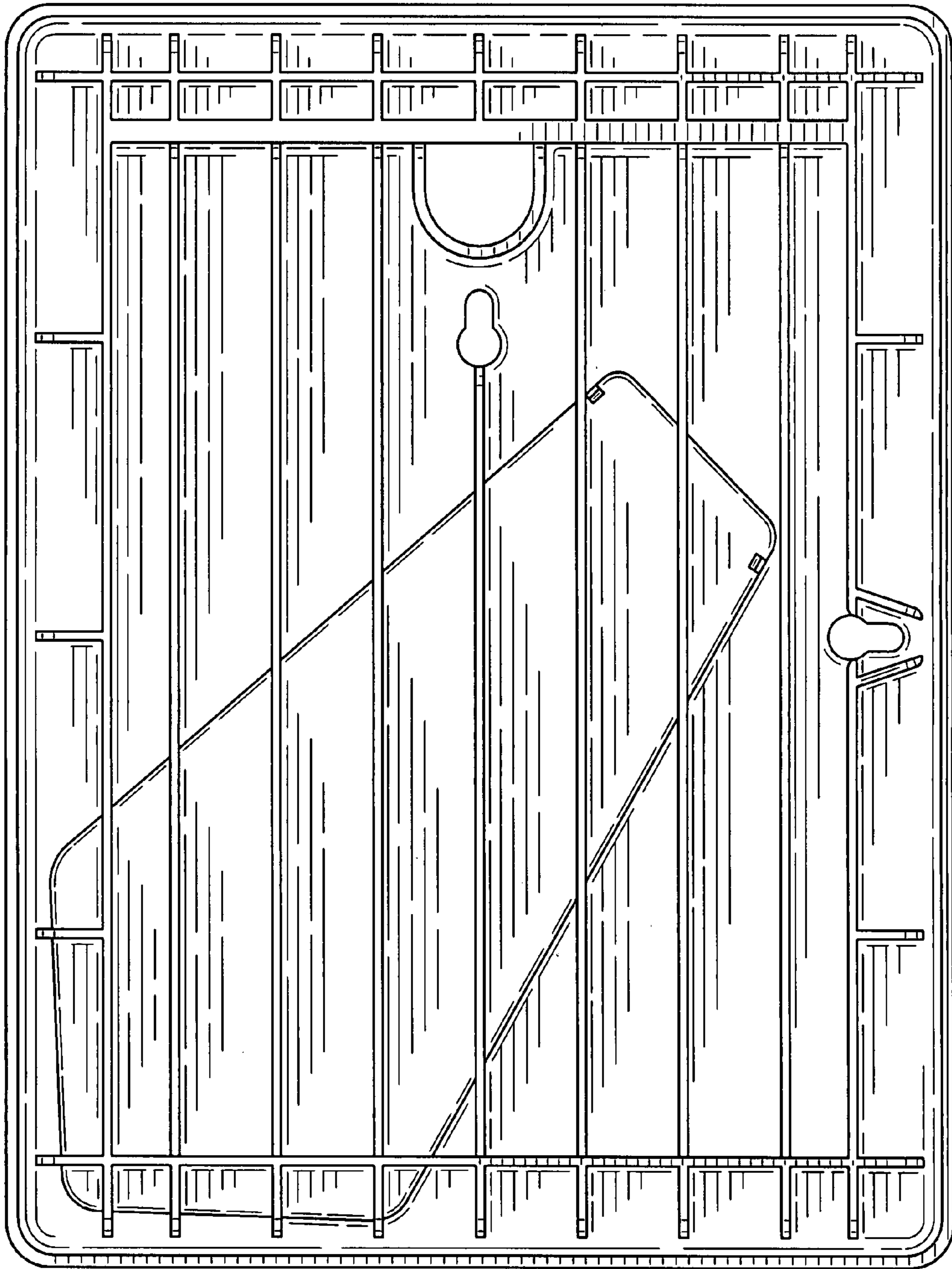


FIG. 5

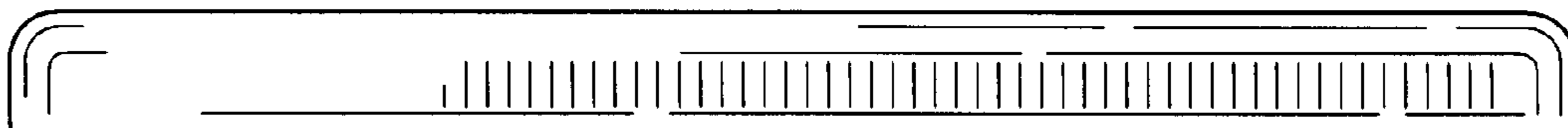


FIG. 7

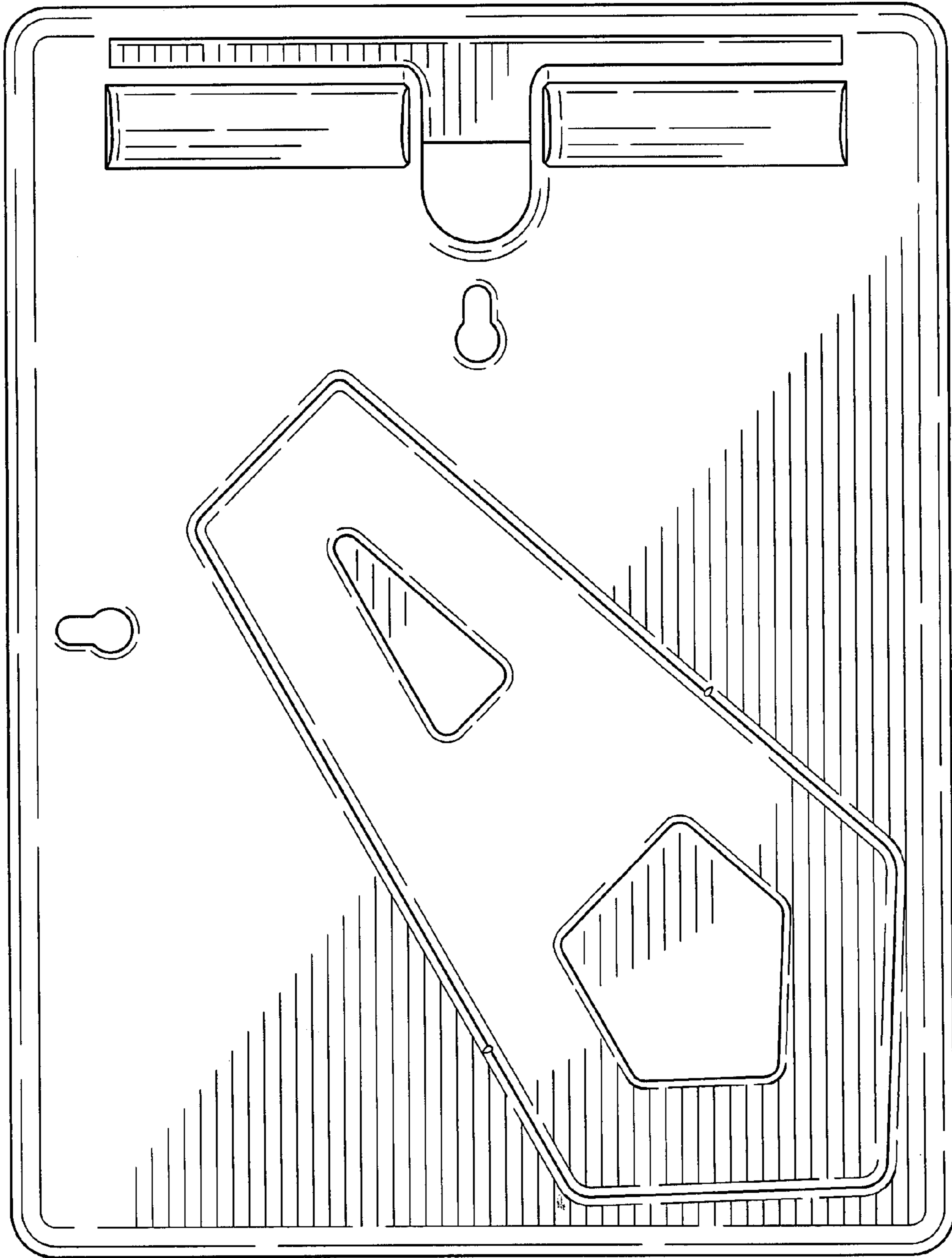


FIG. 6

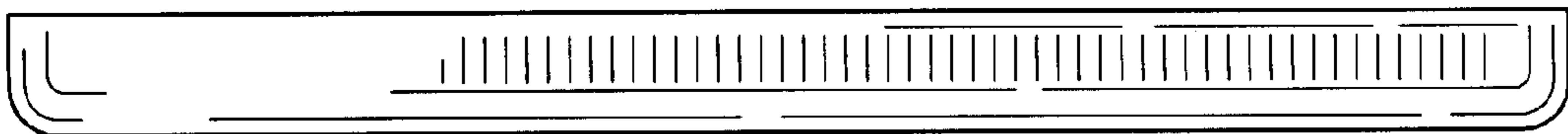


FIG. 8