



US00D569629S

(12) **United States Design Patent**  
**Yu et al.**

(10) **Patent No.:** **US D569,629 S**

(45) **Date of Patent:** **\*\* \*May 27, 2008**

(54) **DIGITAL PHOTO FRAME**

(75) Inventors: **Tzu-Cheng Yu**, Santa Clara, CA (US);  
**Wei Hu**, Shenzhen (CN); **Hong Xiao**,  
Shenzhen (CN)

(73) Assignees: **Shenzhen Futaihong Precision**  
**Industry Co., Ltd.**, ShenZhen,  
Guangdong Province (CN); **Sutech**  
**Trading Limited**, Tortola (VG)

(\*) Notice: This patent is subject to a terminal disclaimer.

(\*\*) Term: **14 Years**

(21) Appl. No.: **29/275,503**

(22) Filed: **Dec. 28, 2006**

(30) **Foreign Application Priority Data**

Dec. 13, 2006 (CN) ..... 2006 3 0155429

(51) **LOC (8) Cl.** ..... **06-04**

(52) **U.S. Cl.** ..... **D6/308**

(58) **Field of Classification Search** ..... D6/300-314;  
40/700, 768, 717, 714; D14/371, 372, 448,  
D14/449, 450, 374, 381, 382, 336, 337, 250,  
D14/146, 341, 496; D20/10; D10/24, 75,  
D10/2

See application file for complete search history.

(56) **References Cited**

**U.S. PATENT DOCUMENTS**

- D300,642 S \* 4/1989 Pawlik et al. .... D20/10
- D306,720 S \* 3/1990 Flies ..... D14/374
- D333,574 S \* 3/1993 Ackeret ..... D6/300
- D355,170 S \* 2/1995 Mizusugi et al. .... D14/336
- D361,552 S \* 8/1995 Iino ..... D14/341
- D372,591 S \* 8/1996 Brunner et al. .... D6/300

- D386,092 S \* 11/1997 Steinhagen et al. .... D10/24
- D386,099 S \* 11/1997 Billington ..... D10/75
- D428,019 S \* 7/2000 Amron ..... D14/496
- D444,632 S \* 7/2001 Hoodenpyl et al. .... D6/300
- D449,049 S \* 10/2001 Seeley et al. .... D14/450
- D457,530 S \* 5/2002 Amron ..... D14/496
- D481,207 S \* 10/2003 Sheldon et al. .... D6/300
- D490,420 S \* 5/2004 Solomon et al. .... D14/341
- D491,902 S \* 6/2004 Chen ..... D14/126
- D494,174 S \* 8/2004 Hsu Li ..... D14/374
- D521,508 S \* 5/2006 Ting ..... D14/341
- D530,926 S \* 10/2006 Sellers ..... D6/300
- D531,417 S \* 11/2006 Saenz et al. .... D6/308
- D543,868 S \* 6/2007 Bhavnani ..... D10/2
- D546,824 S \* 7/2007 Jackson, Jr. .... D14/341
- 2002/0040541 A1 \* 4/2002 Wang ..... 40/714

\* cited by examiner

*Primary Examiner*—Caron D. Veynar

*Assistant Examiner*—Sydney R Buffalow

(74) *Attorney, Agent, or Firm*—Wei Te Chung

(57) **CLAIM**

The ornamental design for a digital photo frame, as shown and described.

**DESCRIPTION**

FIG. 1 is a perspective view of a digital photo frame showing our new design;

FIG. 2 is a front elevational view thereof;

FIG. 3 is a rear elevational view thereof;

FIG. 4 is a left side elevational view thereof;

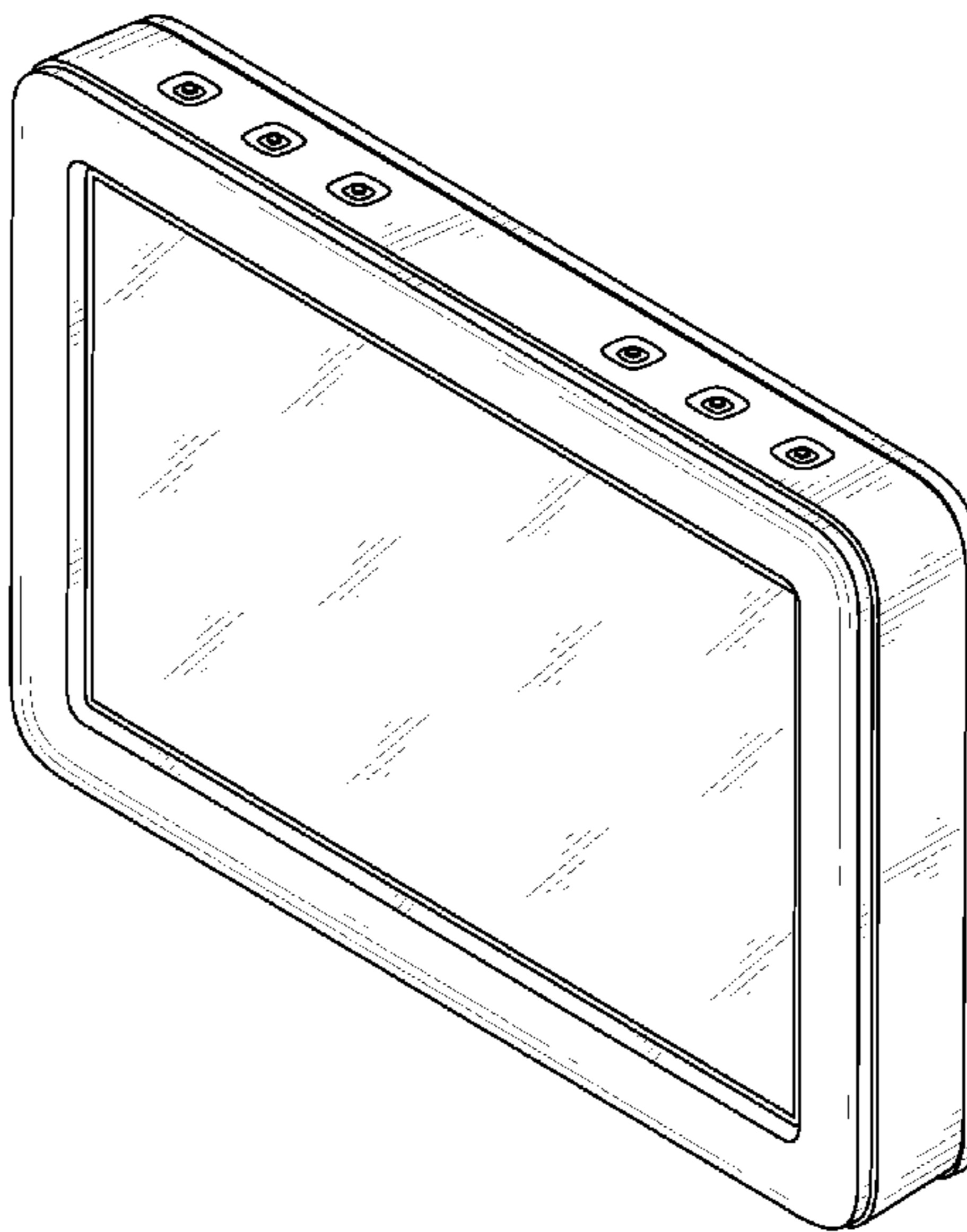
FIG. 5 is a right side elevational view thereof;

FIG. 6 is a top plan view thereof;

FIG. 7 is a bottom plan view thereof; and,

FIG. 8 is a perspective view with the support extended.

**1 Claim, 8 Drawing Sheets**



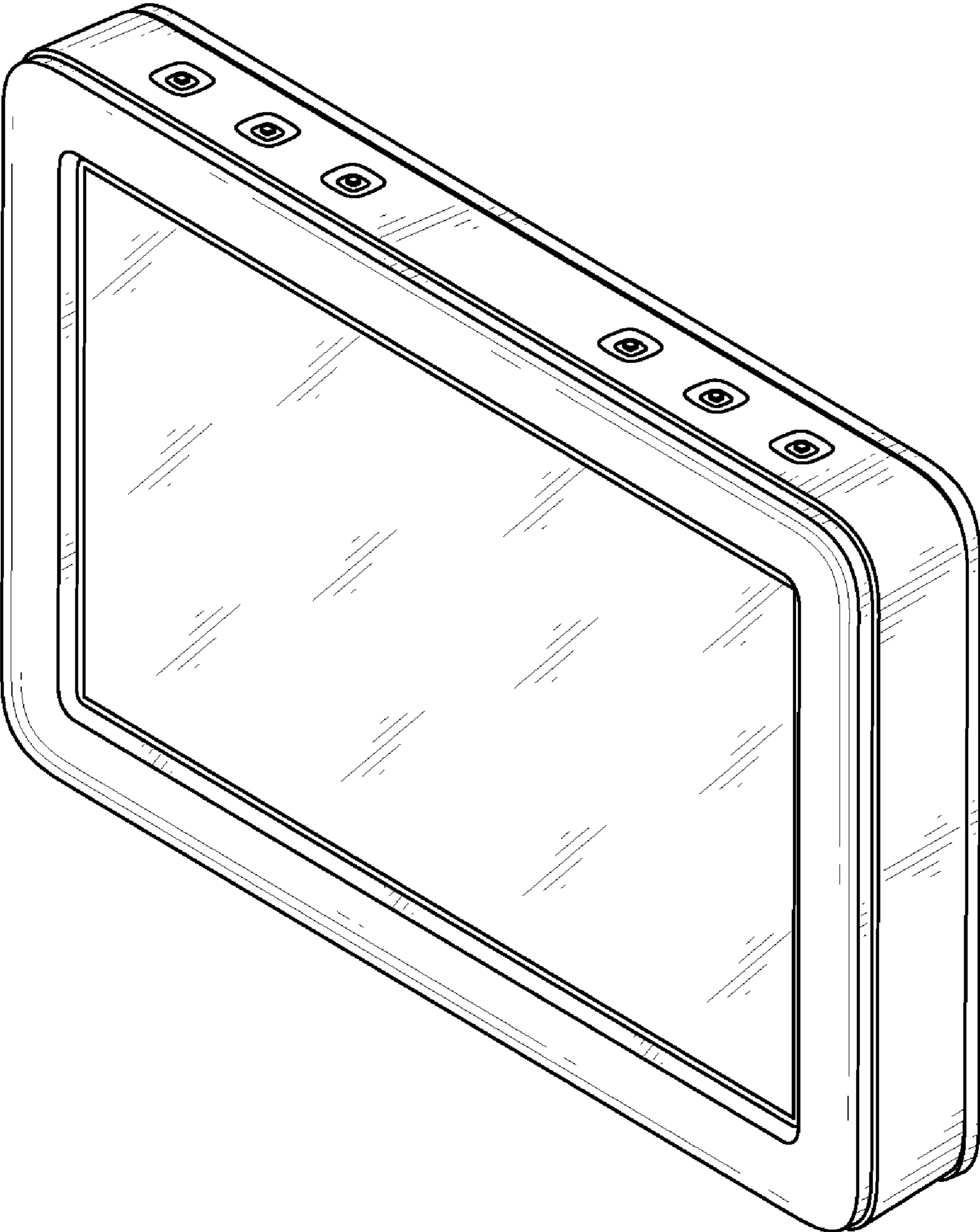


FIG. 1

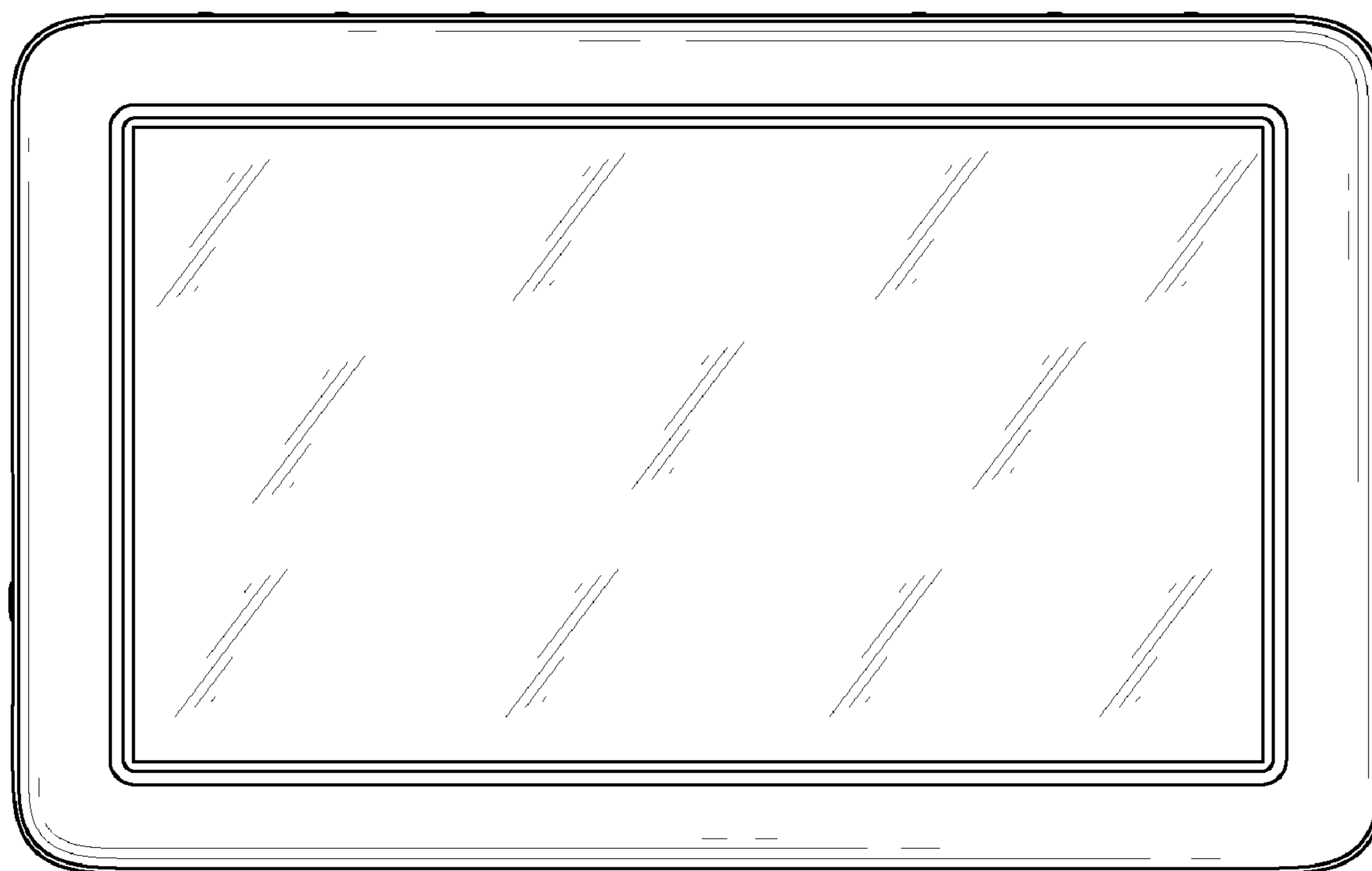


FIG. 2

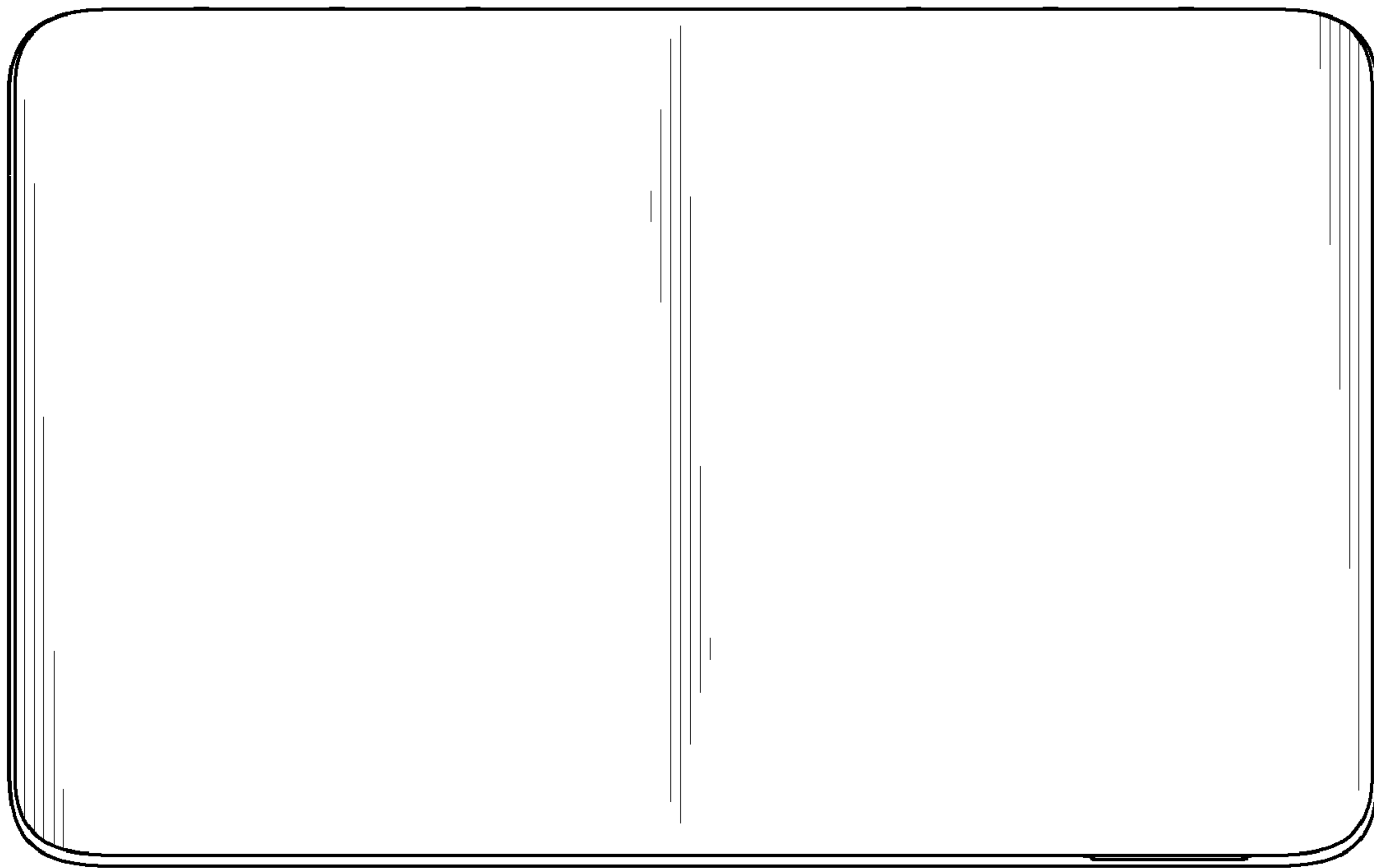


FIG. 3

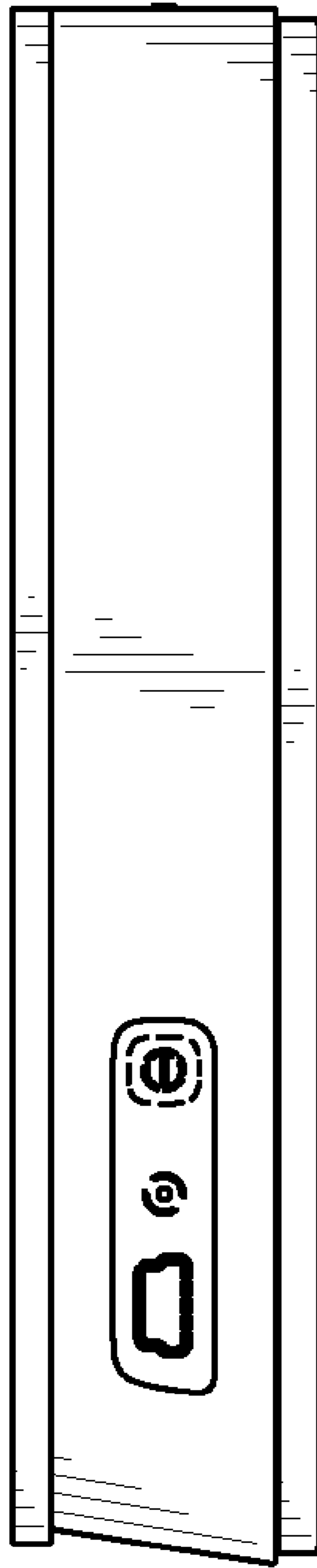


FIG. 4

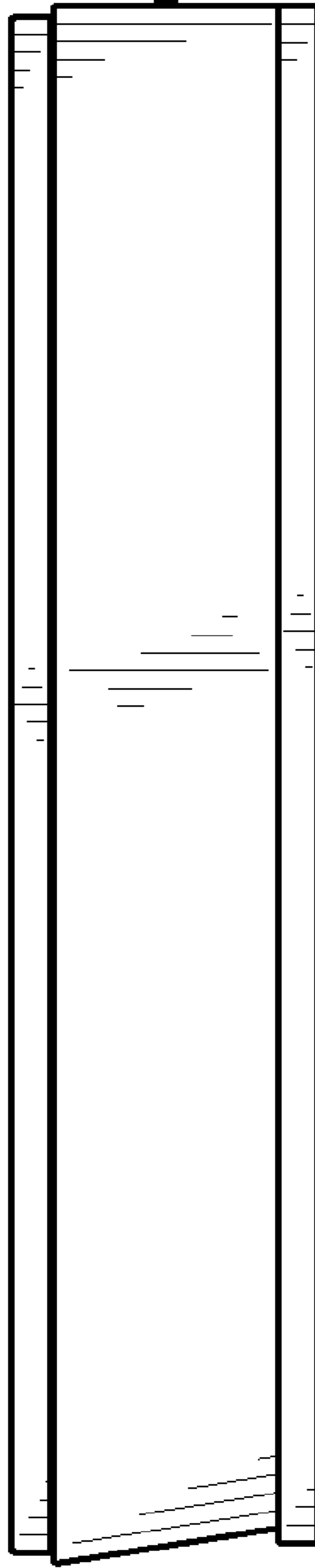


FIG. 5

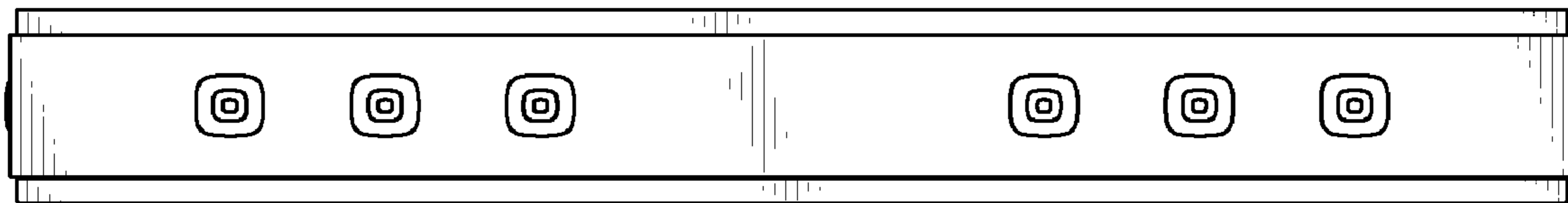


FIG. 6

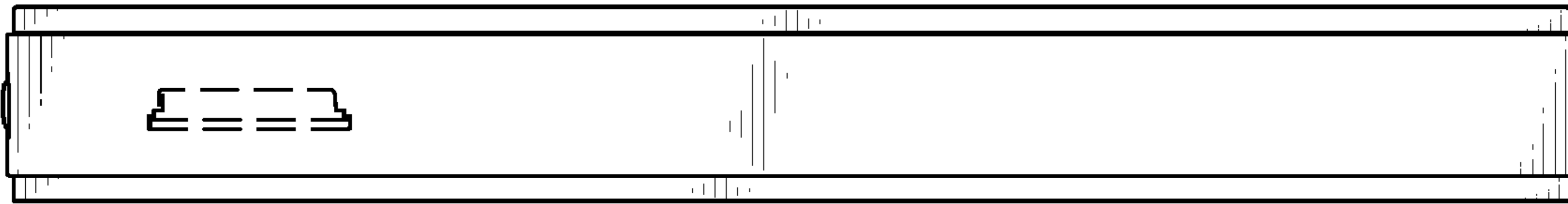


FIG. 7



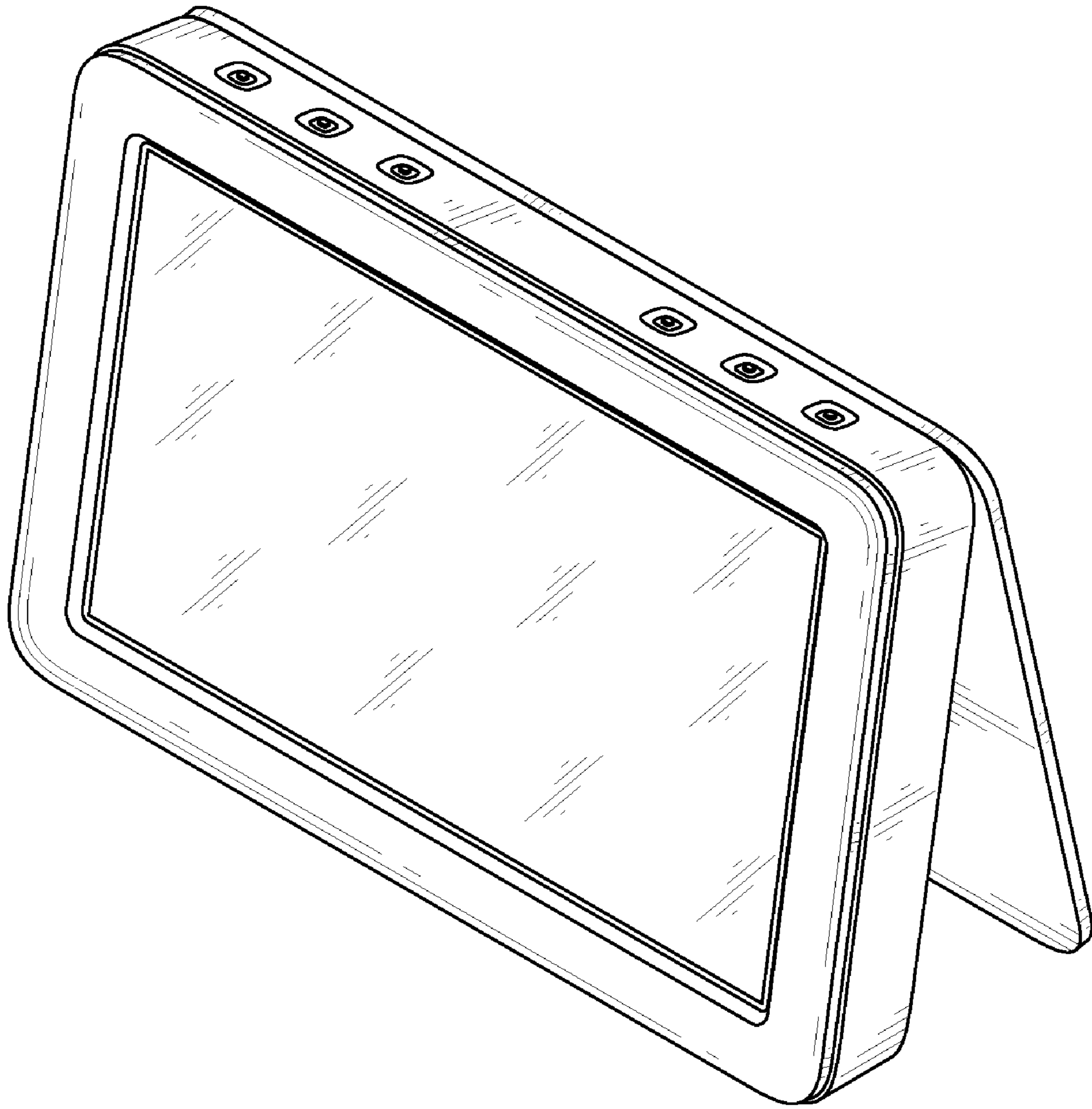


FIG. 8