

US00D569622S

(12) **United States Design Patent**
Gonzalez

(10) **Patent No.:** **US D569,622 S**
(45) **Date of Patent:** **** May 27, 2008**

(54) **WALLET**

(75) **Inventor:** **Alvaro Gonzalez**, Florence (IT)

(73) **Assignee:** **J. Choo Limited**, London (GB)

(**) **Term:** **14 Years**

(21) **Appl. No.:** **29/263,195**

(22) **Filed:** **Jul. 17, 2006**

(30) **Foreign Application Priority Data**

Jan. 20, 2006 (EM) 000469937-020

(51) **LOC (8) Cl.** **03-01**

(52) **U.S. Cl.** **D3/321**

(58) **Field of Classification Search** D3/201,
D3/231-234, 238, 240-246, 273, 276, 294,
D3/303, 318-319, 321-326, 902; 190/100,
190/109, 112, 115, 119, 902-903; 150/100,
150/107-108, 110, 118, 130, 900; 383/15,
383/23, 25, 31, 38, 42, 78, 907

See application file for complete search history.

(56) **References Cited**

U.S. PATENT DOCUMENTS

D130,844 S *	12/1941	Pichel	D3/243
D235,690 S *	7/1975	Barad	D3/243
D332,006 S	12/1992	Ross		
D418,976 S	1/2000	du Sartel		
D482,162 S *	11/2003	Bostroem	D28/77
D507,882 S	8/2005	Gonzalez		
D518,959 S *	4/2006	Gonzalez	D3/318
D524,538 S	7/2006	Gonzalez		
D532,200 S *	11/2006	Gonzalez	D3/326
D543,356 S *	5/2007	Gonzalez	D3/247
D545,363 S *	6/2007	McCormack	D19/27
D559,539 S *	1/2008	Gonzalez	D3/243

D559,540 S * 1/2008 Choi D3/243

OTHER PUBLICATIONS

http://www.jimmychoo.com/pws/images/catalogue/products/081UTAHCRM/081UTAHCRM_large_fr Mar. 10, 2008.*
http://www.jimmychoo.com/pws/images/catalogue/products/073UTAHSHC/073UTAHSHC_large_fr Mar. 10, 2008.*
http://www.jimmychoo.com/pws/images/catalogue/products/081ULLACRM/081ULLACRM_large_fr Mar. 10, 2008.*

* cited by examiner

Primary Examiner—Louis S Zarfaz

Assistant Examiner—Kathleen M Sims

(74) *Attorney, Agent, or Firm*—Fross Zelnick Lehrman & Zissu, P.C.; Lawrence E. Apolzon, Esq.

(57) **CLAIM**

The ornamental design for a wallet, as shown and described.

DESCRIPTION

FIG. 1 is a front perspective view of a first embodiment of a wallet showing my new design;

FIG. 2 is a front view thereof;

FIG. 3 is a rear view thereof;

FIG. 4 is a side view thereof with the other side being a mirror image;

FIG. 5 is a top view thereof; and

FIG. 6 is a bottom view thereof.

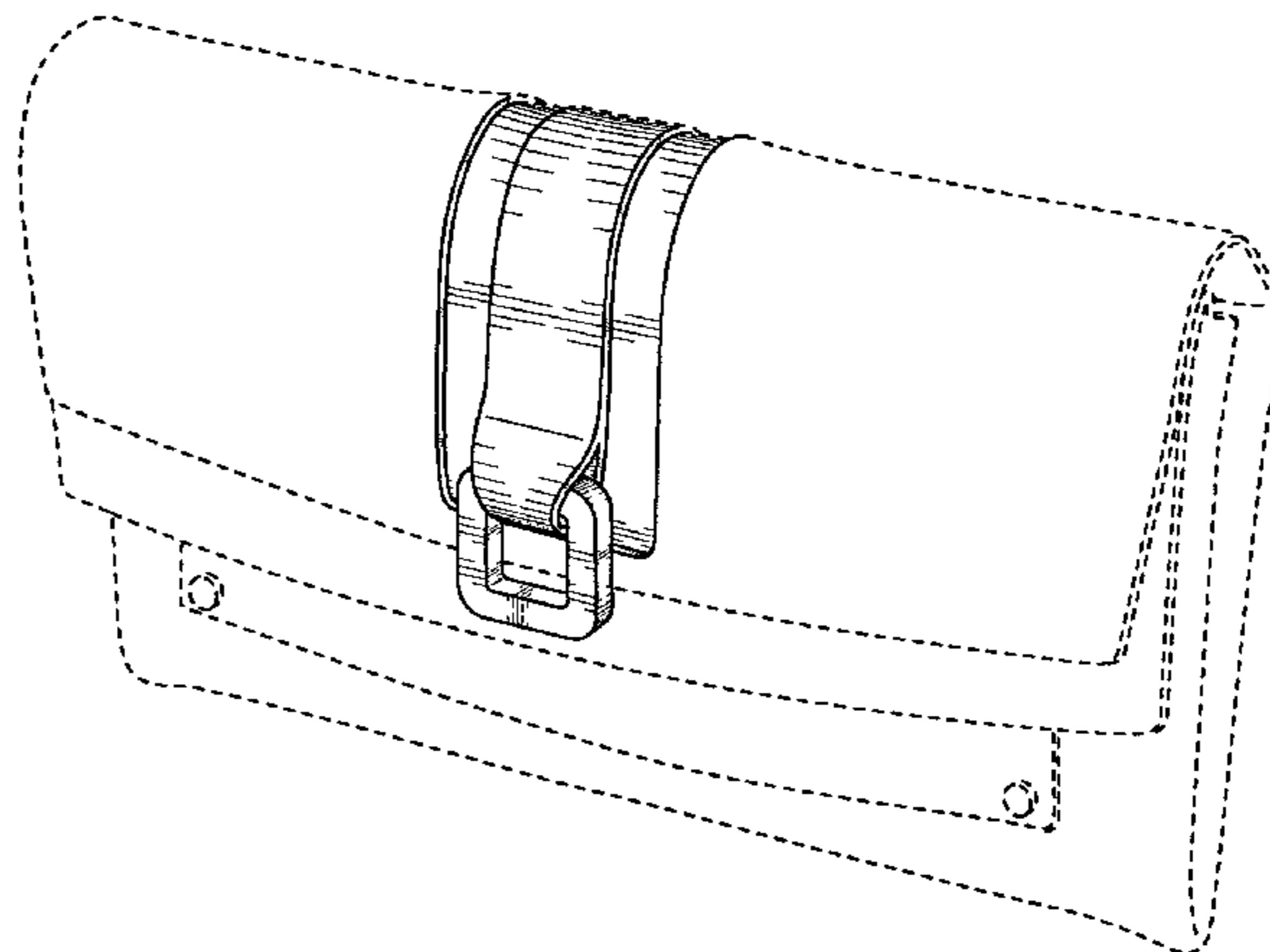
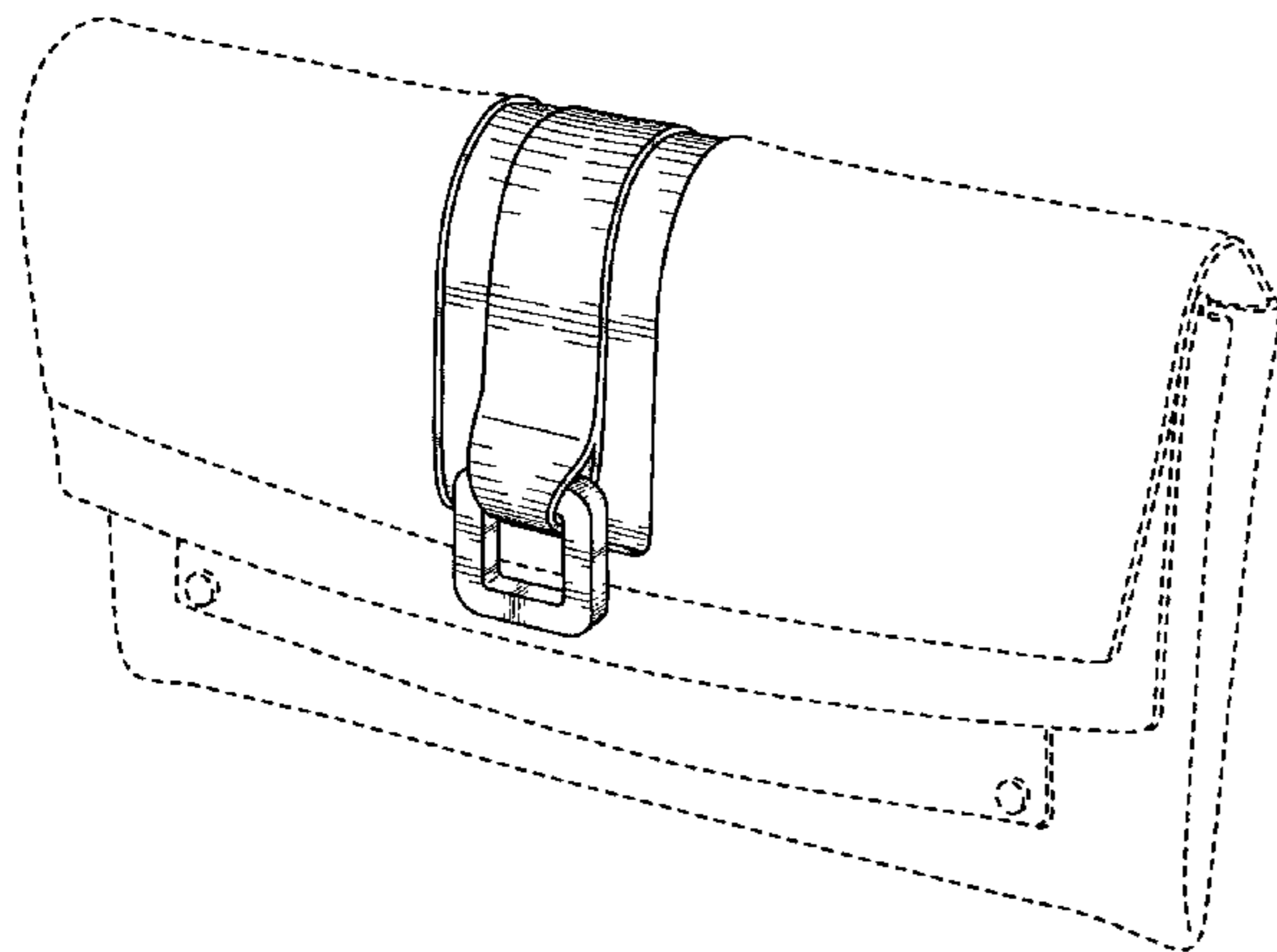
FIG. 7 is a front perspective view of a second embodiment of a wallet;

FIG. 8 rear view thereof; and,

FIG. 9 is a top view thereof.

The broken line showing of the studs, and portions of the wallet is for illustrative purposes only and forms no part of the claimed design.

1 Claim, 9 Drawing Sheets



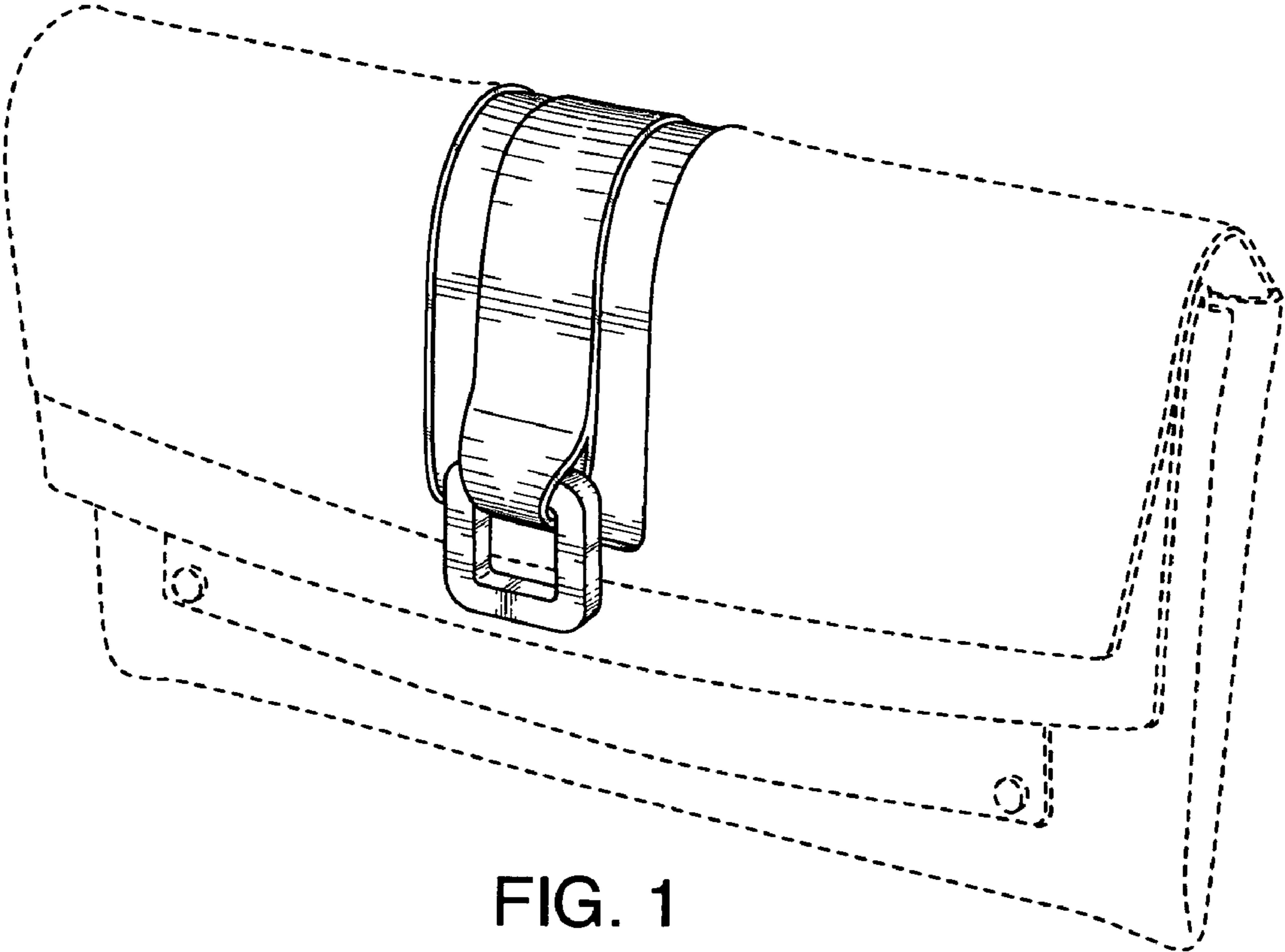


FIG. 1

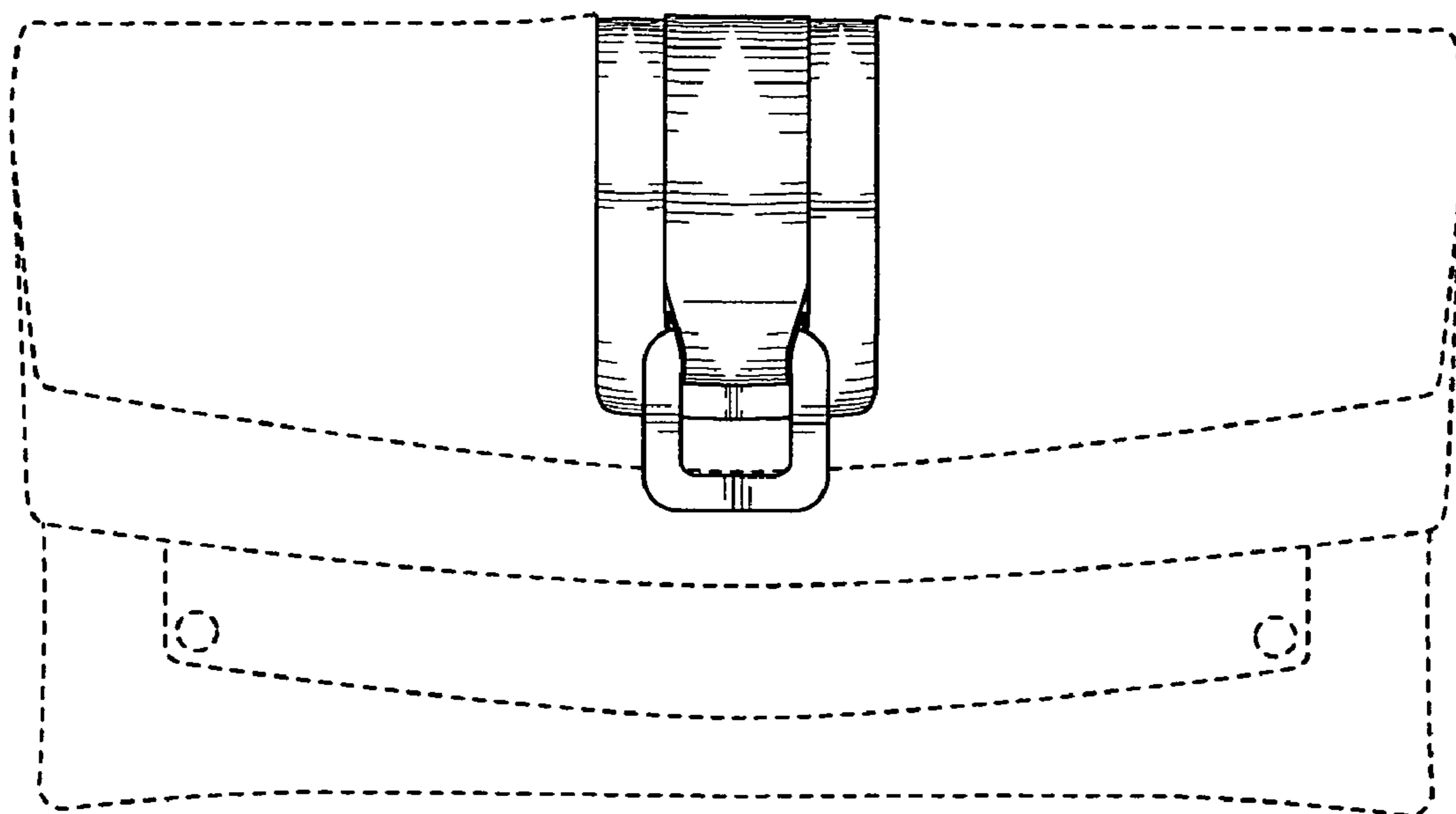


FIG. 2

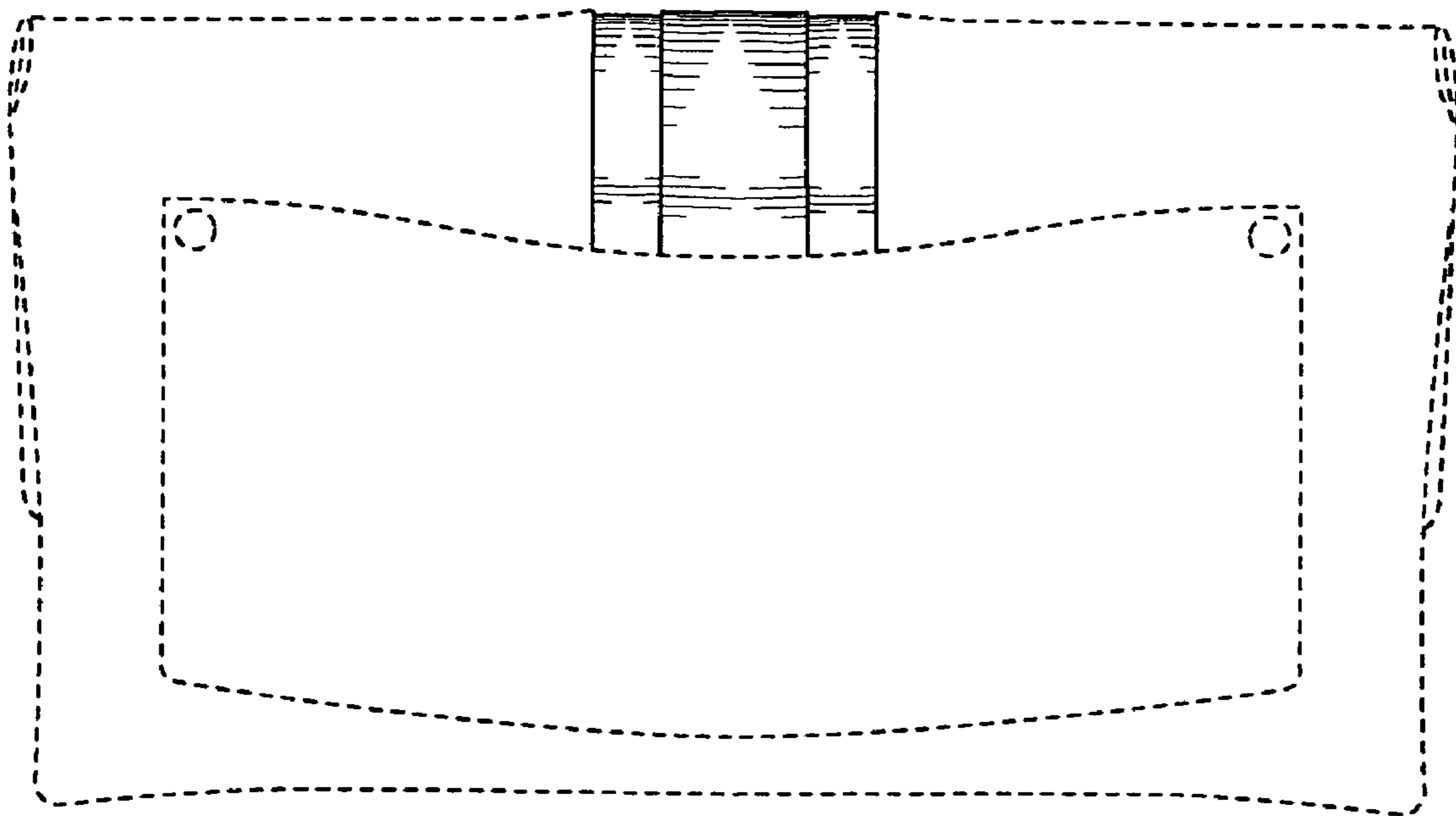


FIG. 3

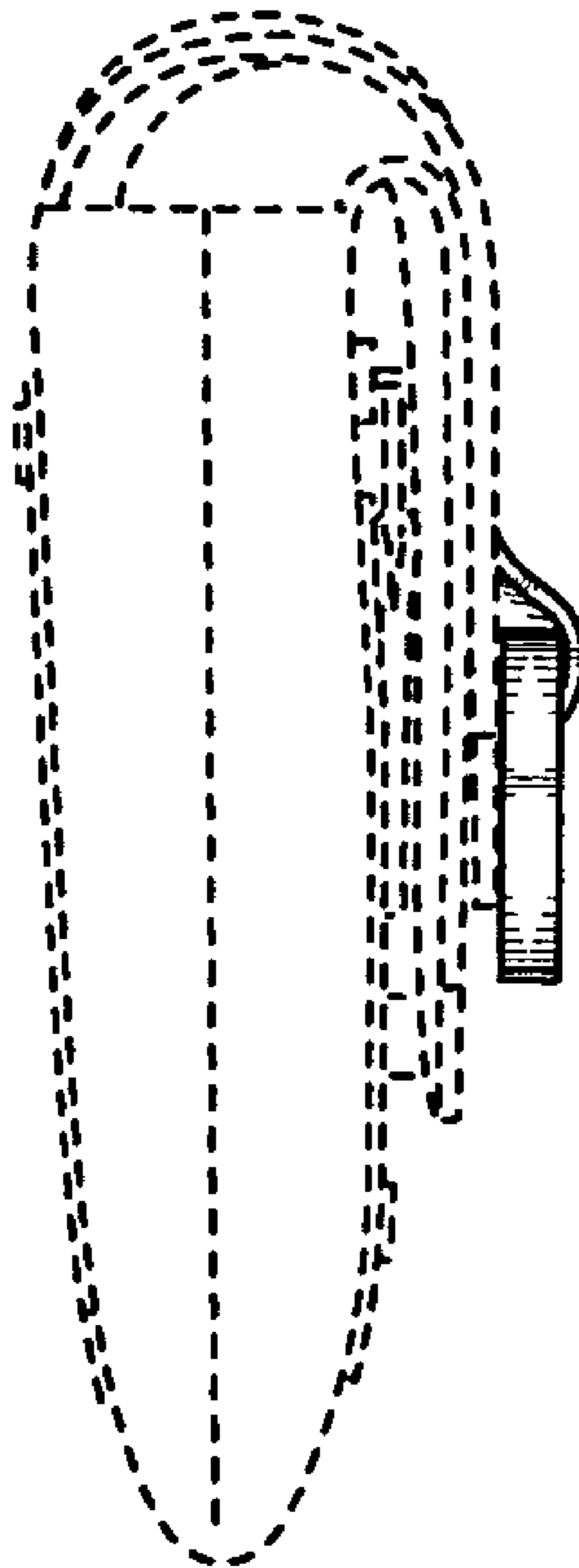


FIG. 4

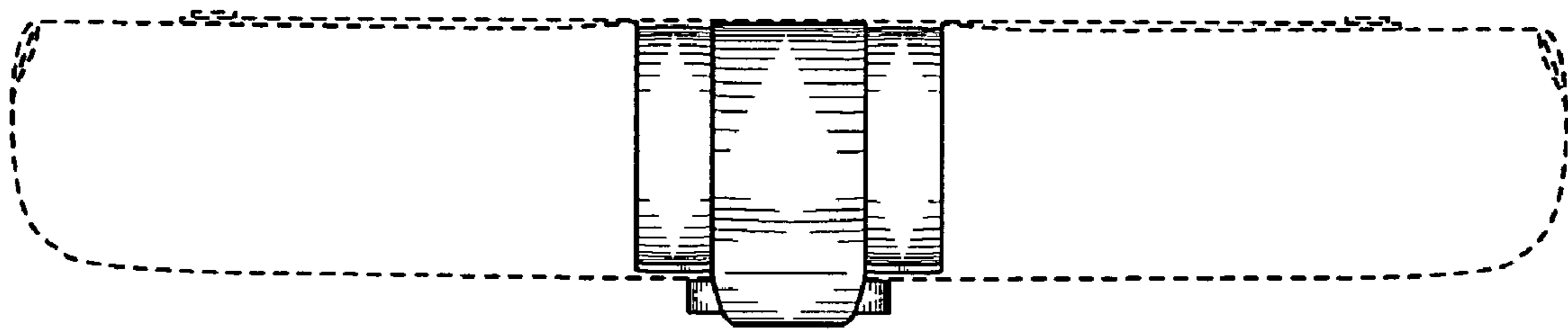


FIG. 5

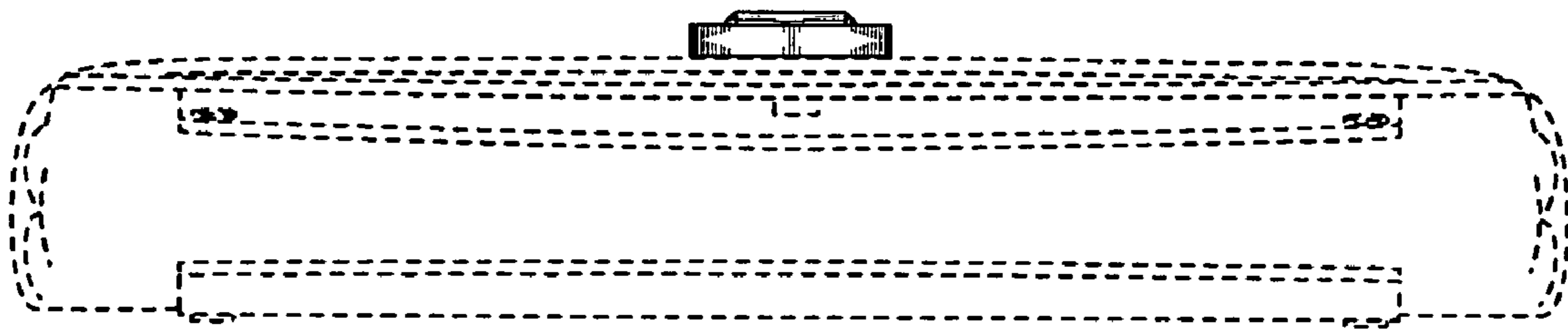


FIG. 6

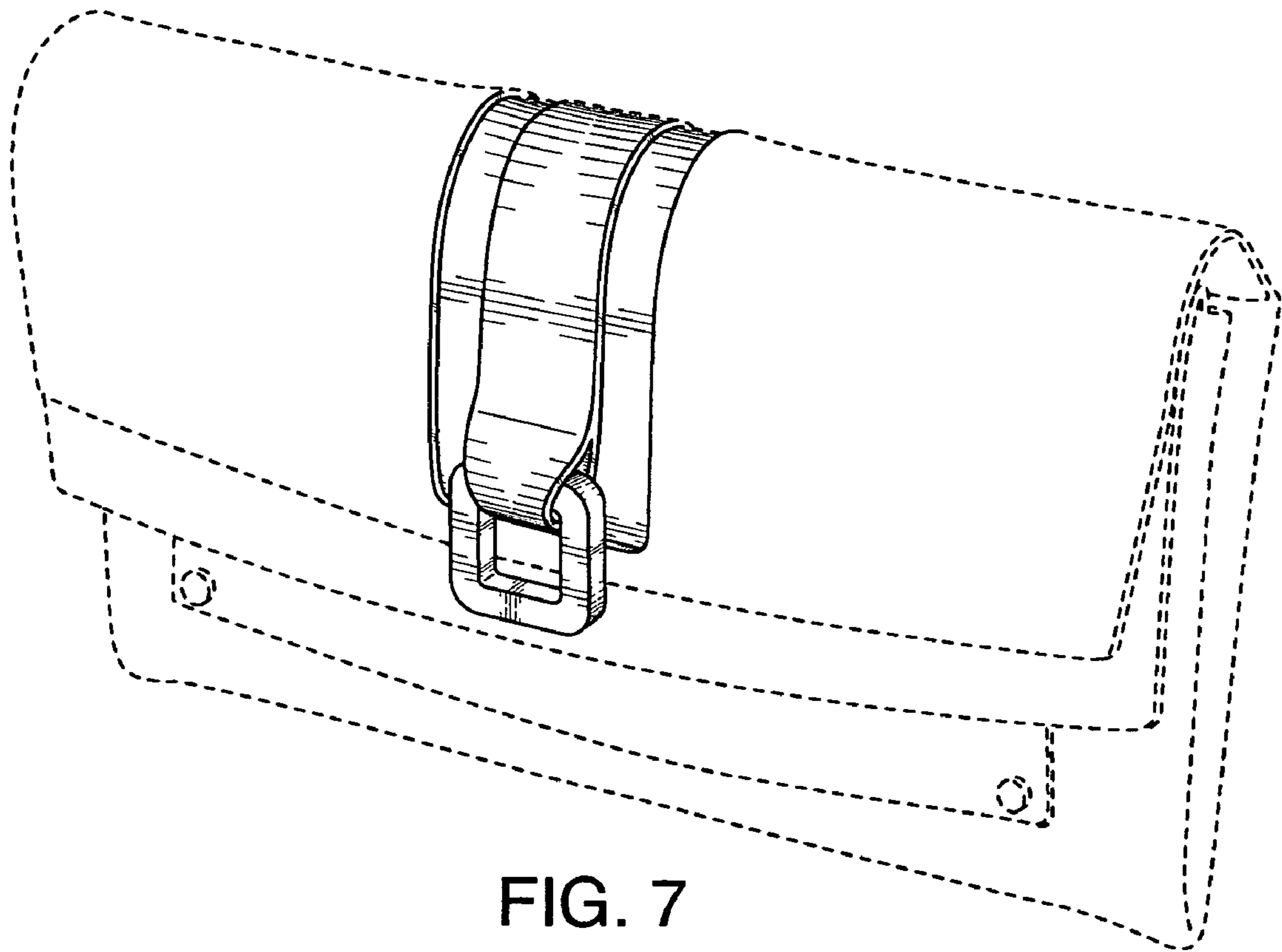


FIG. 7

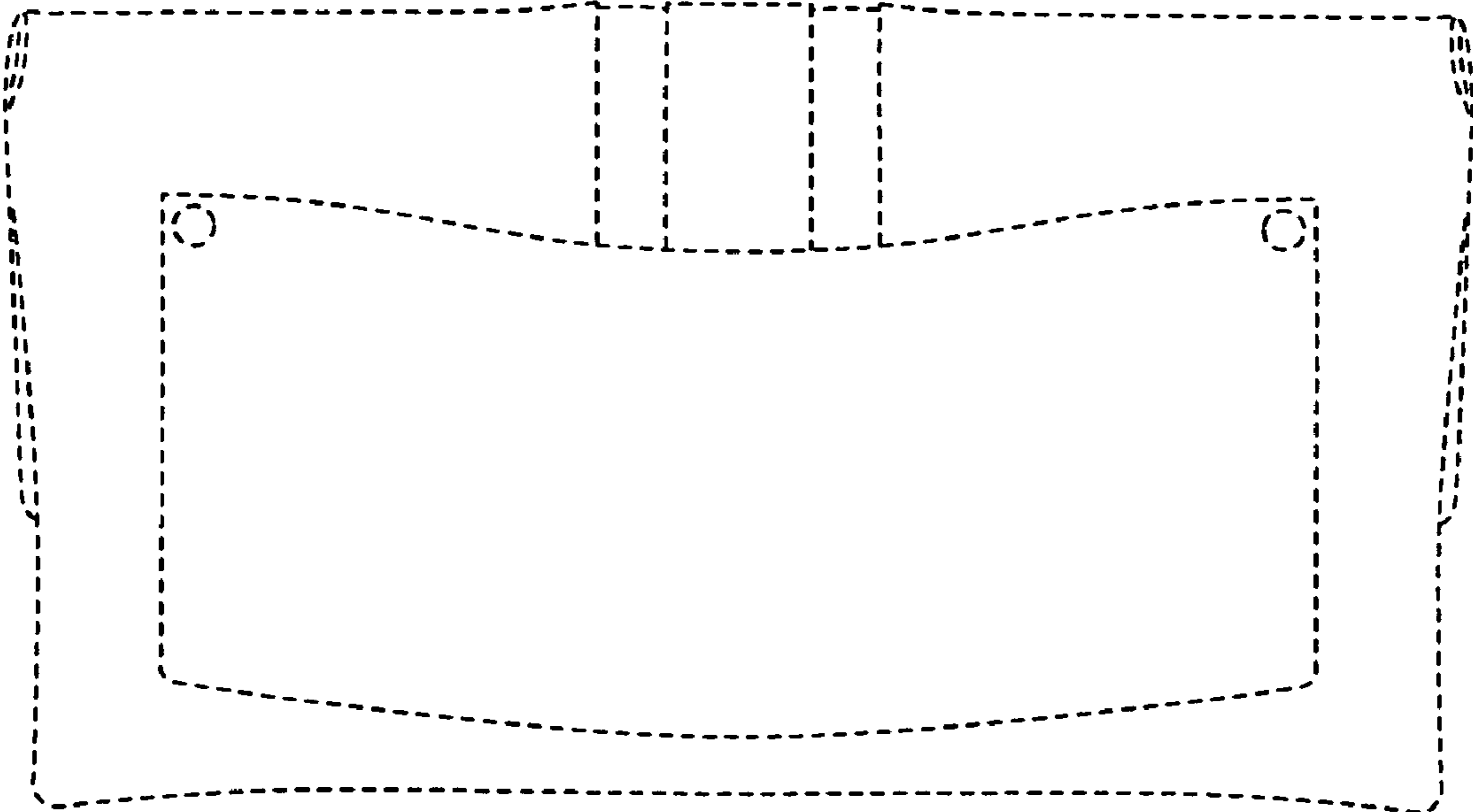


FIG. 8

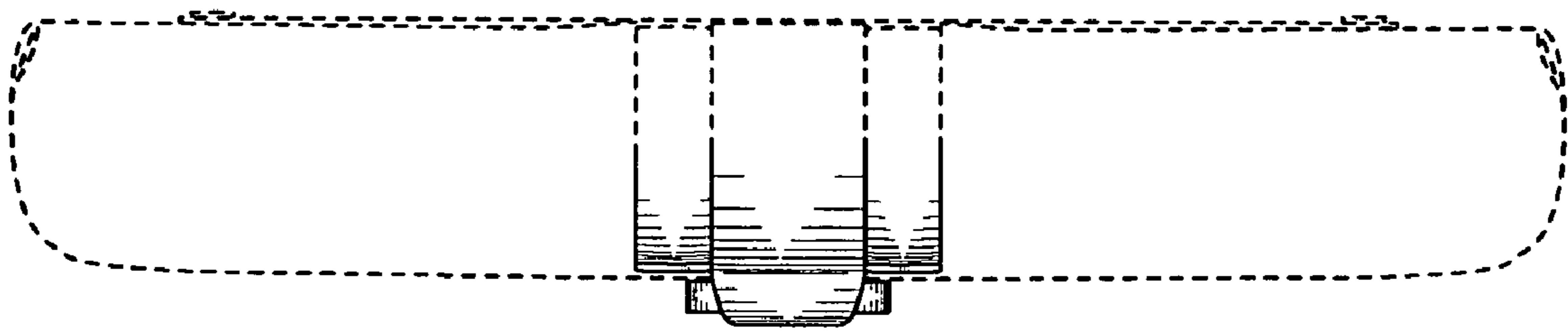


FIG. 9