

US00D569621S

(12) **United States Design Patent**  
**Morelli**

(10) **Patent No.:** **US D569,621 S**

(45) **Date of Patent:** **\*\* May 27, 2008**

(54) **HANDBAG**

(75) Inventor: **Giovanni Morelli**, Milan (IT)

(73) Assignee: **Chloe Societe Anonyme**, Paris (FR)

(\*\*) Term: **14 Years**

(21) Appl. No.: **29/286,905**

(22) Filed: **May 22, 2007**

**Related U.S. Application Data**

(62) Division of application No. 29/243,187, filed on Nov. 21, 2005.

(30) **Foreign Application Priority Data**

Oct. 7, 2005 (EM) ..... 000354527

(51) **LOC (8) Cl.** ..... **03-01**

(52) **U.S. Cl.** ..... **D3/318**

(58) **Field of Classification Search** ..... D3/232,  
D3/234, 235, 237, 238, 239, 240, 241, 242,  
D3/243, 244, 245, 246, 303, 318, 321, 323,  
D3/324, 325, 326, 901; 150/100, 106, 107,  
150/110, 111, 112, 114, 115, 117, 118, 119,  
150/120, 123, 124, 125, 900; 190/100, 108,  
190/109, 112, 113, 115, 116, 119, 121, 122,  
190/123, 902; 383/6, 12, 13, 15, 16, 22,  
383/24, 25, 30, 31, 37, 38, 40, 41, 42

See application file for complete search history.

(56) **References Cited**

**U.S. PATENT DOCUMENTS**

D487,969 S \* 4/2004 Galliano ..... D3/243

D492,482 S \* 7/2004 Hanley ..... D3/243

D522,236 S \* 6/2006 Stulman ..... D3/239

D525,783 S \* 8/2006 Martilla ..... D3/239

D532,969 S \* 12/2006 Fendi ..... D3/243

D534,723 S \* 1/2007 Fusi ..... D3/243

\* cited by examiner

*Primary Examiner*—Lou Zarfaz

*Assistant Examiner*—Monica A Weingart

(74) *Attorney, Agent, or Firm*—Kalow & Springut, LLP

(57) **CLAIM**

The ornamental design for a handbag, as shown and described.

**DESCRIPTION**

FIG. 1 is a front elevational view of a handbag showing my new design;

FIG. 2 is a rear elevational view thereof;

FIG. 3 is a left side perspective view thereof;

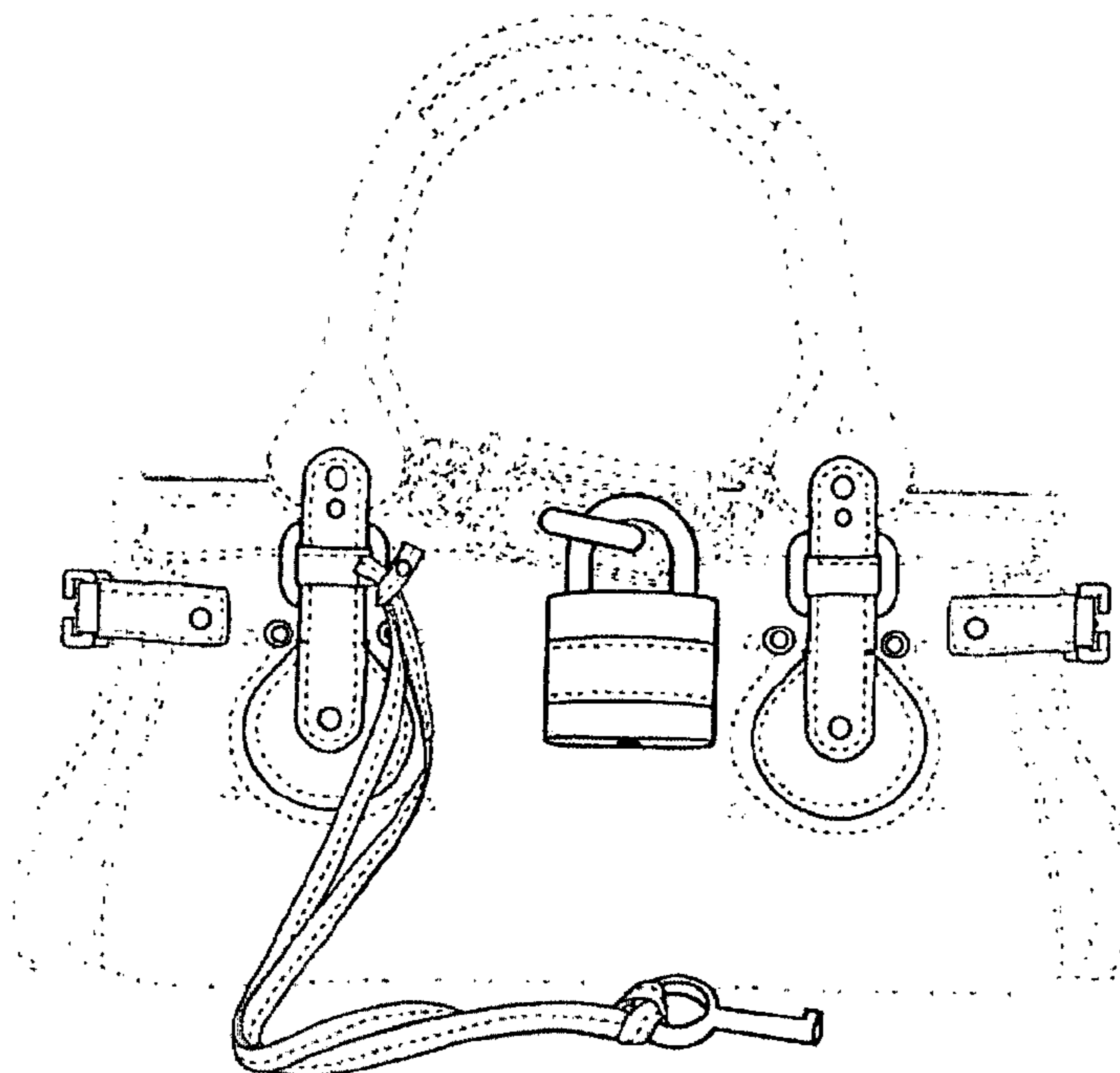
FIG. 4 is a right side perspective view thereof;

FIG. 5 is a top plan view thereof; and,

FIG. 6 is a bottom view thereof.

The broken lines showing a handbag are for illustrative purposes and form no part of the claimed design. The broken lines shown within the full line disclosure portions of the claimed design are understood to represent stitching and do not form part of the claimed design.

**1 Claim, 6 Drawing Sheets**



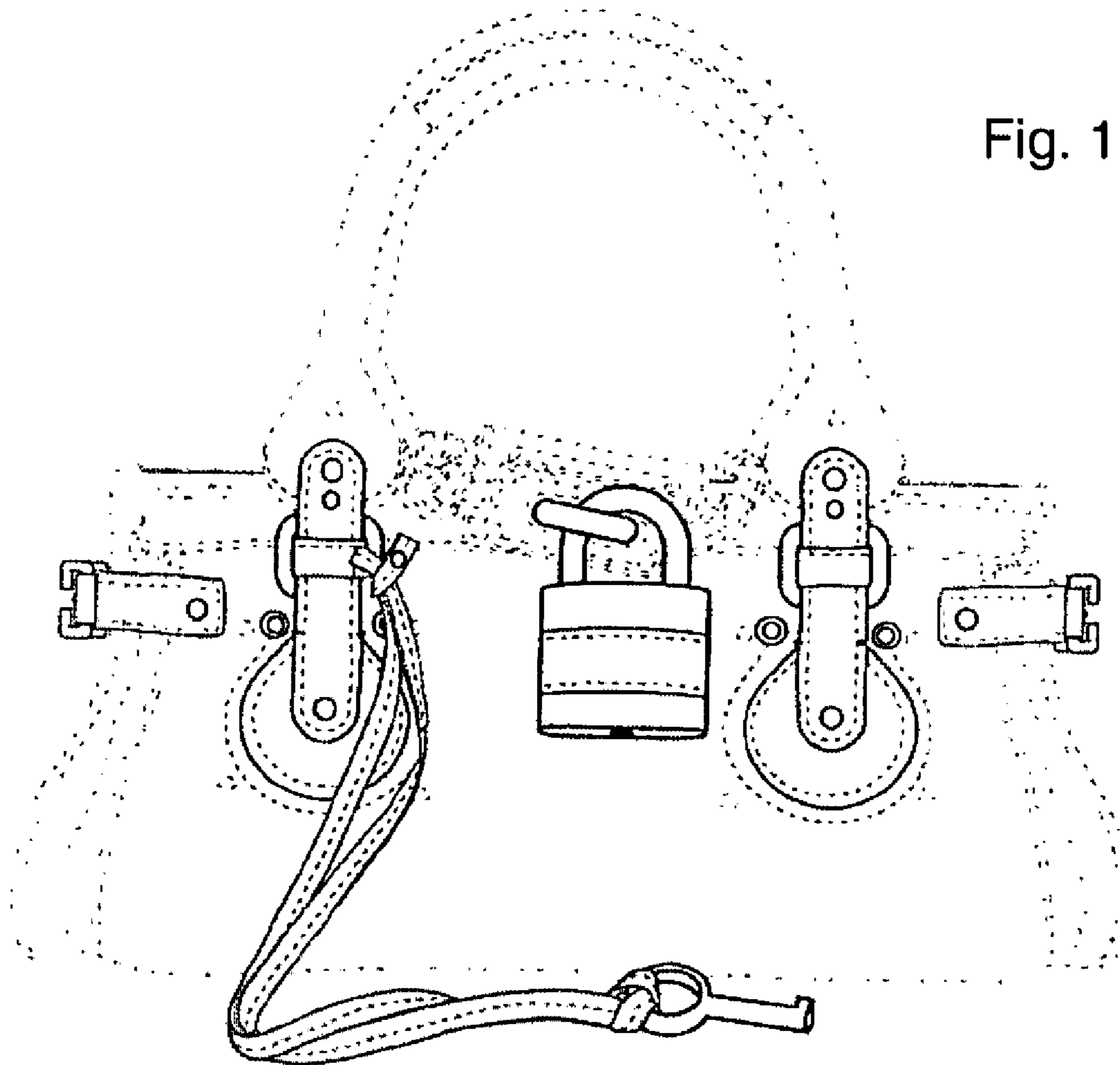


Fig. 1

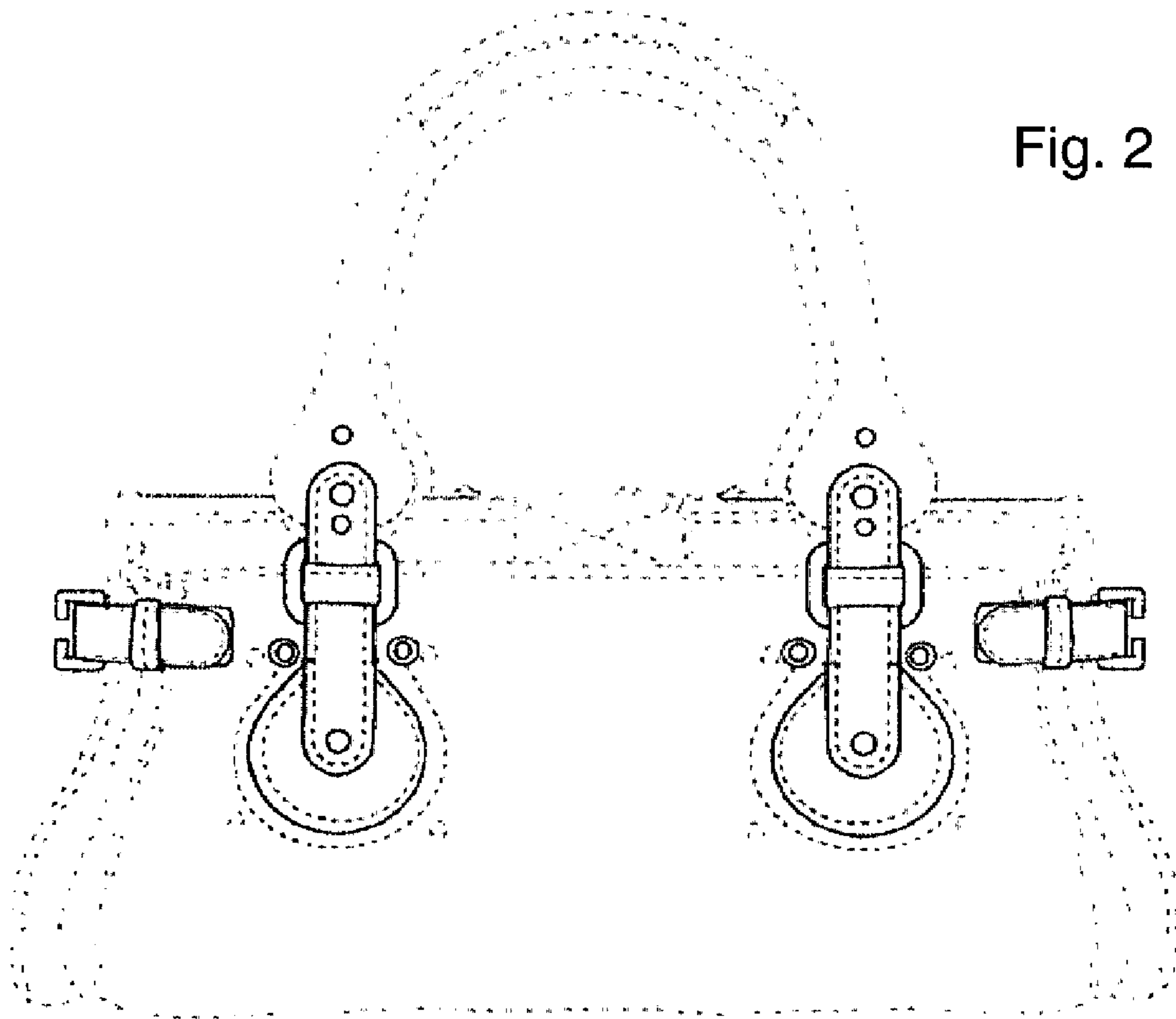


Fig. 2

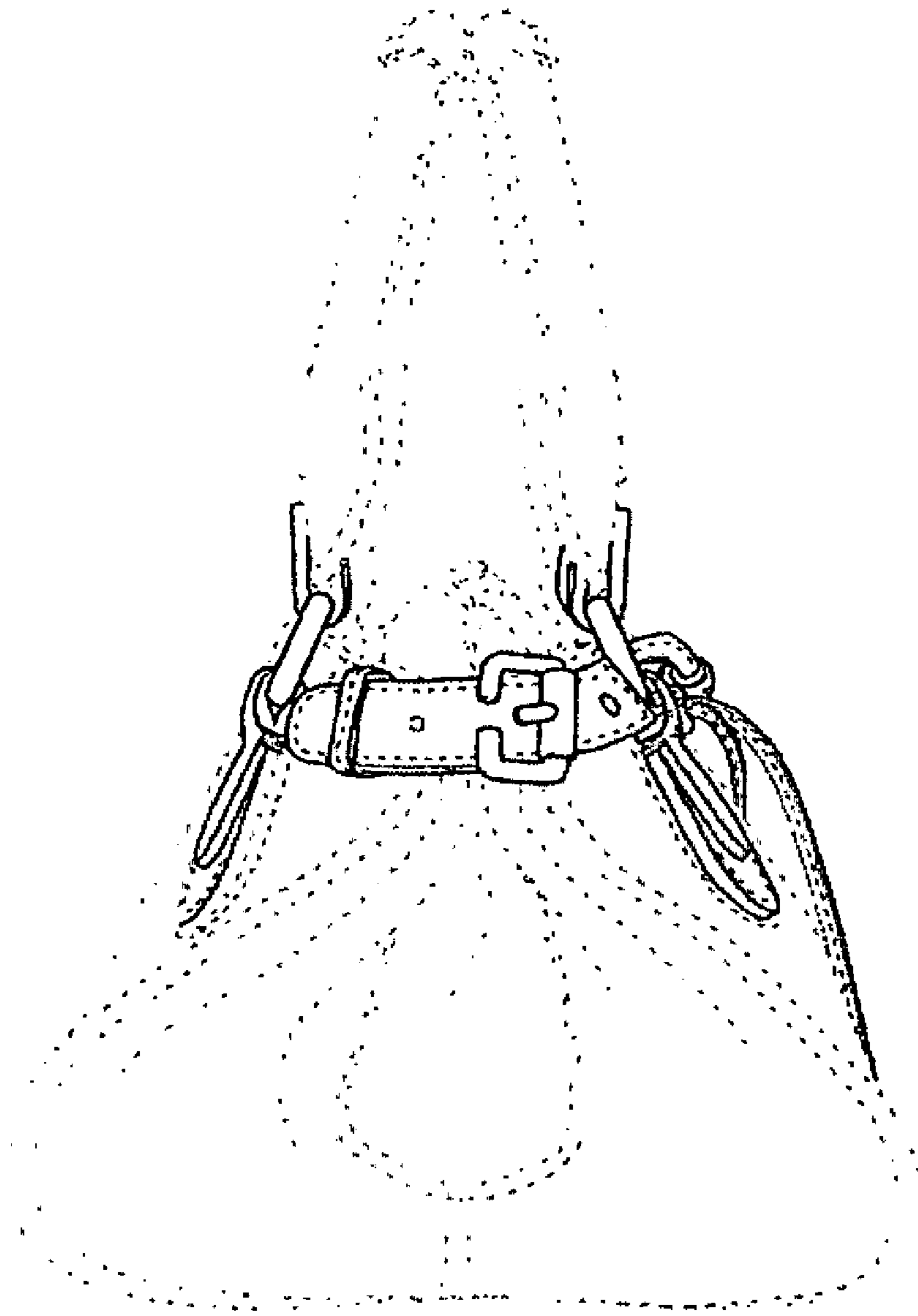


Fig. 3

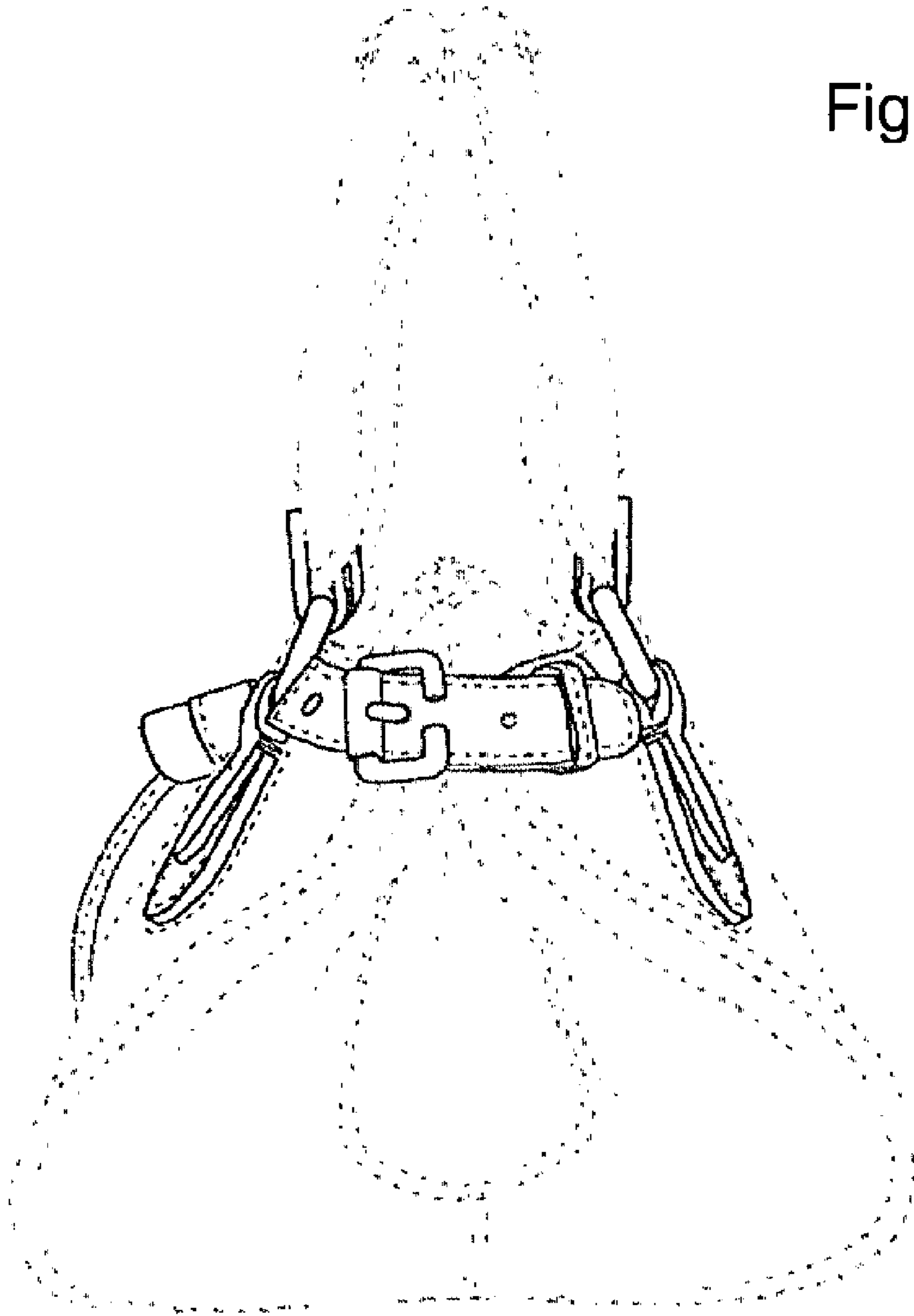
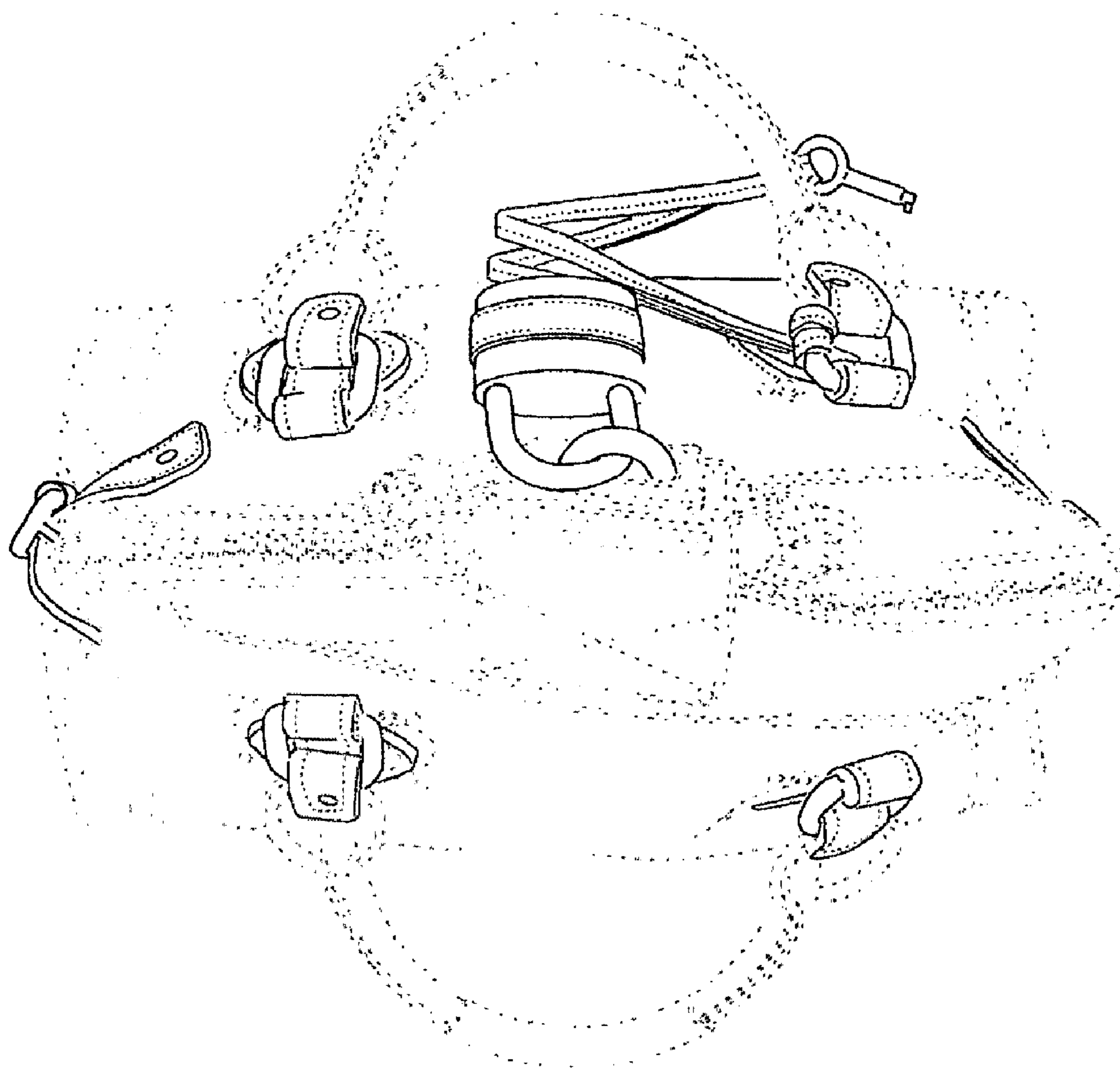
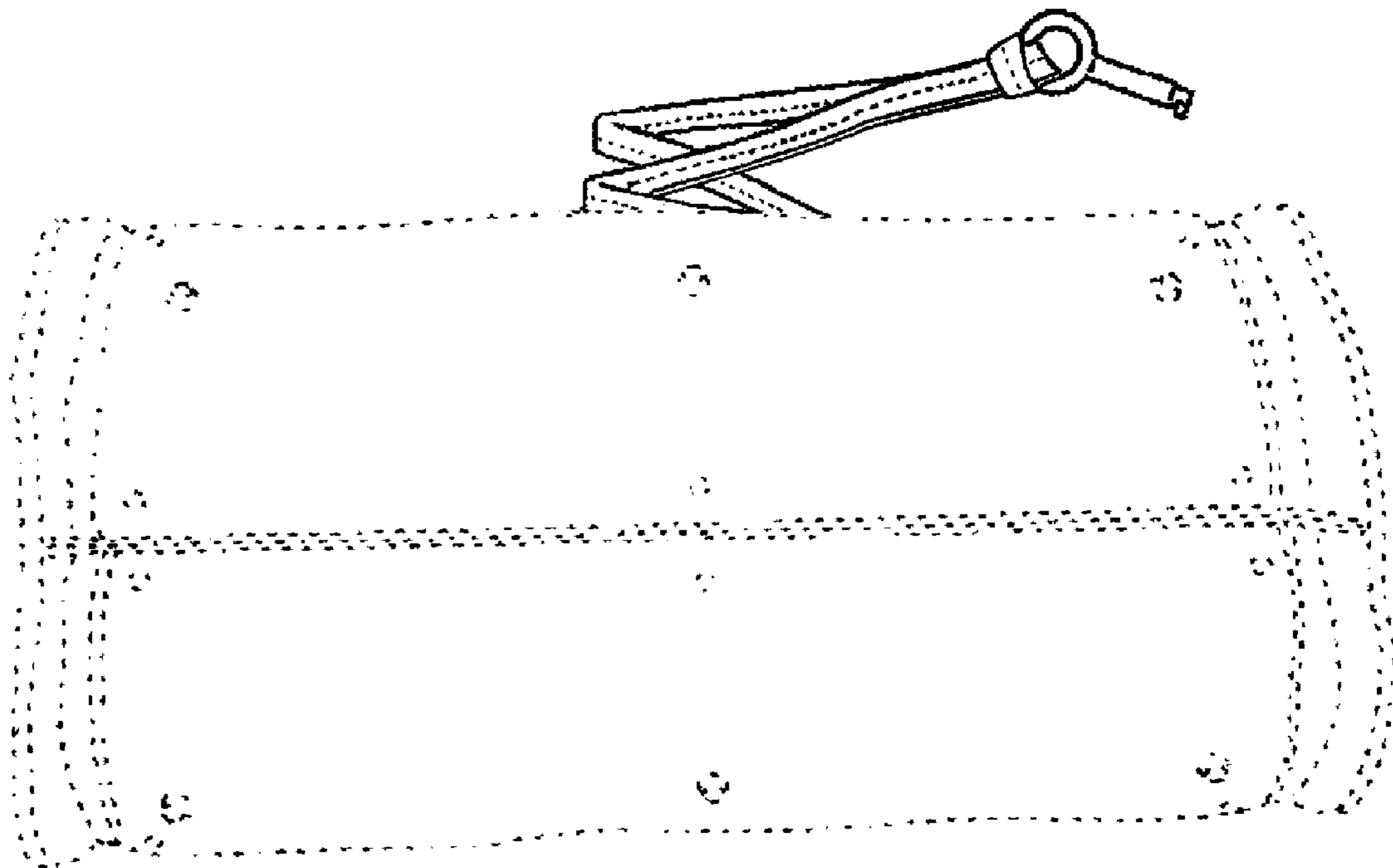


Fig. 4

Fig. 5





*FIG. 6*