



US00D569618S

(12) **United States Design Patent**  
**Kirk**

(10) **Patent No.:** **US D569,618 S**

(45) **Date of Patent:** **\*\* May 27, 2008**

(54) **PORTABLE CONTAINER**

(76) **Inventor:** **Frankie M. Kirk**, 4720 Tara Creek Trail, Ellenwood, GA (US) 30294

(\*\*) **Term:** **14 Years**

(21) **Appl. No.:** **29/286,703**

(22) **Filed:** **May 17, 2007**

(51) **LOC (8) Cl.** ..... **03-01**

(52) **U.S. Cl.** ..... **D3/291; D3/302; D3/901**

(58) **Field of Classification Search** ..... D3/20, D3/201, 205, 273, 276, 291, 302, 901; D7/391, D7/392.1, 538, 540, 542, 601-602, 608, 629, D7/701, 703, 706; D9/425, 428; D28/73; 190/109-110, 115; 206/373, 581  
See application file for complete search history.

(56) **References Cited**

**U.S. PATENT DOCUMENTS**

D171,372 S *	2/1954	Barnhart	.....	D7/542
D203,851 S *	2/1966	Gulotta	.....	D7/540
D316,187 S *	4/1991	Rodgers	.....	D3/230
D336,596 S *	6/1993	Osgood et al.	.....	D7/608
D344,210 S *	2/1994	Cousins et al.	.....	D7/538
D362,594 S *	9/1995	McEntee	.....	D7/538

D447,006 S *	8/2001	Thun	.....	D7/542
D453,283 S *	2/2002	Terracciano	.....	D7/608
D486,358 S *	2/2004	Dais et al.	.....	D7/629
D532,293 S *	11/2006	Martin	.....	D9/425

\* cited by examiner

*Primary Examiner*—Philip Hyder

*Assistant Examiner*—R. L. [Ulm] Cody

(74) *Attorney, Agent, or Firm*—Kathy E. Harrington; Curtis L. Harrington; Harrington & Harrington

(57) **CLAIM**

The ornamental design for a portable container, as shown and described.

**DESCRIPTION**

FIG. 1 is a perspective view of the portable container;

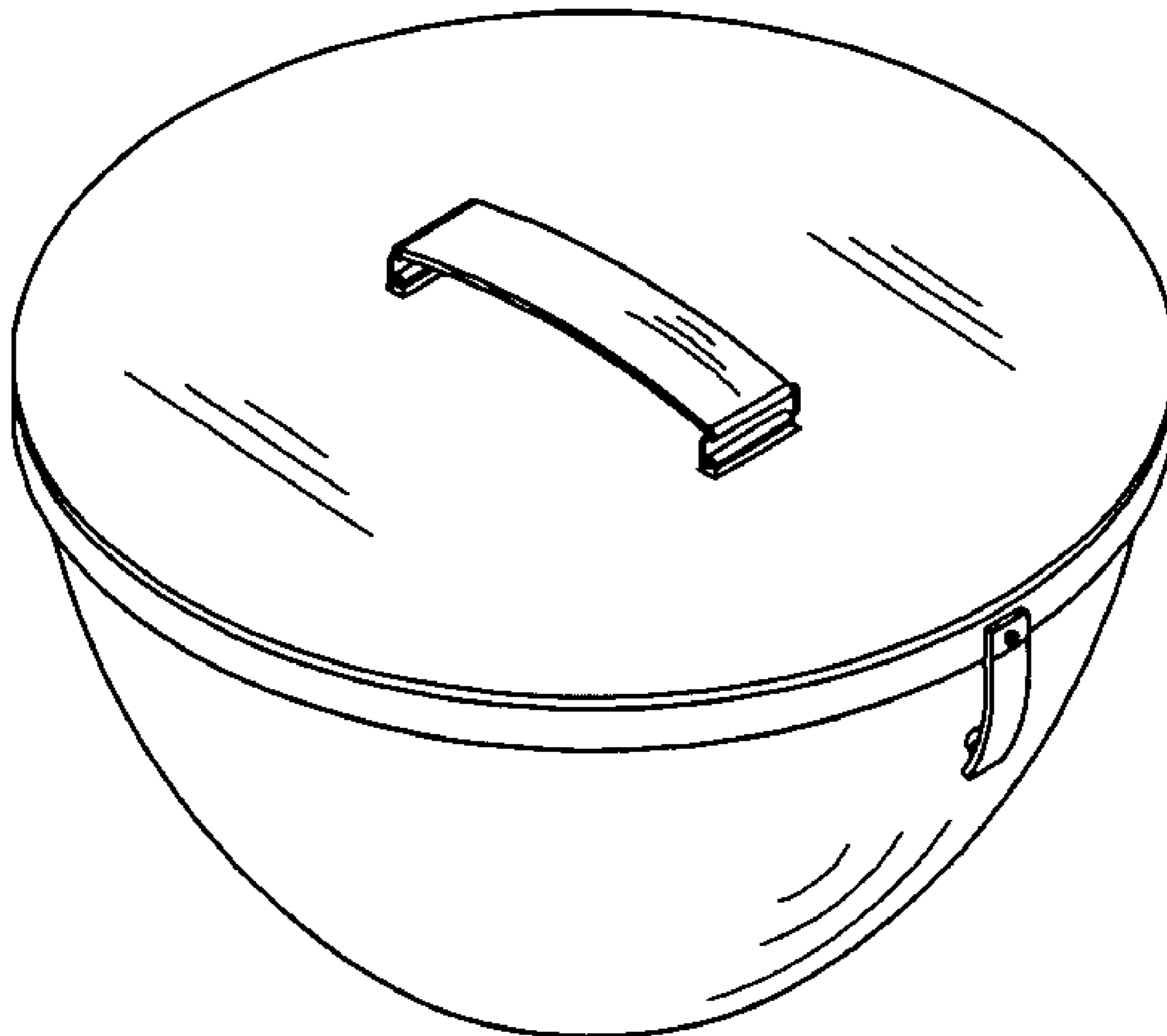
FIG. 2 is a top view;

FIG. 3 is a front view, the rear view being identical to the front view;

FIG. 4 is a right side view, the left side view being identical to the right side view; and,

FIG. 5 is a bottom view.

**1 Claim, 2 Drawing Sheets**



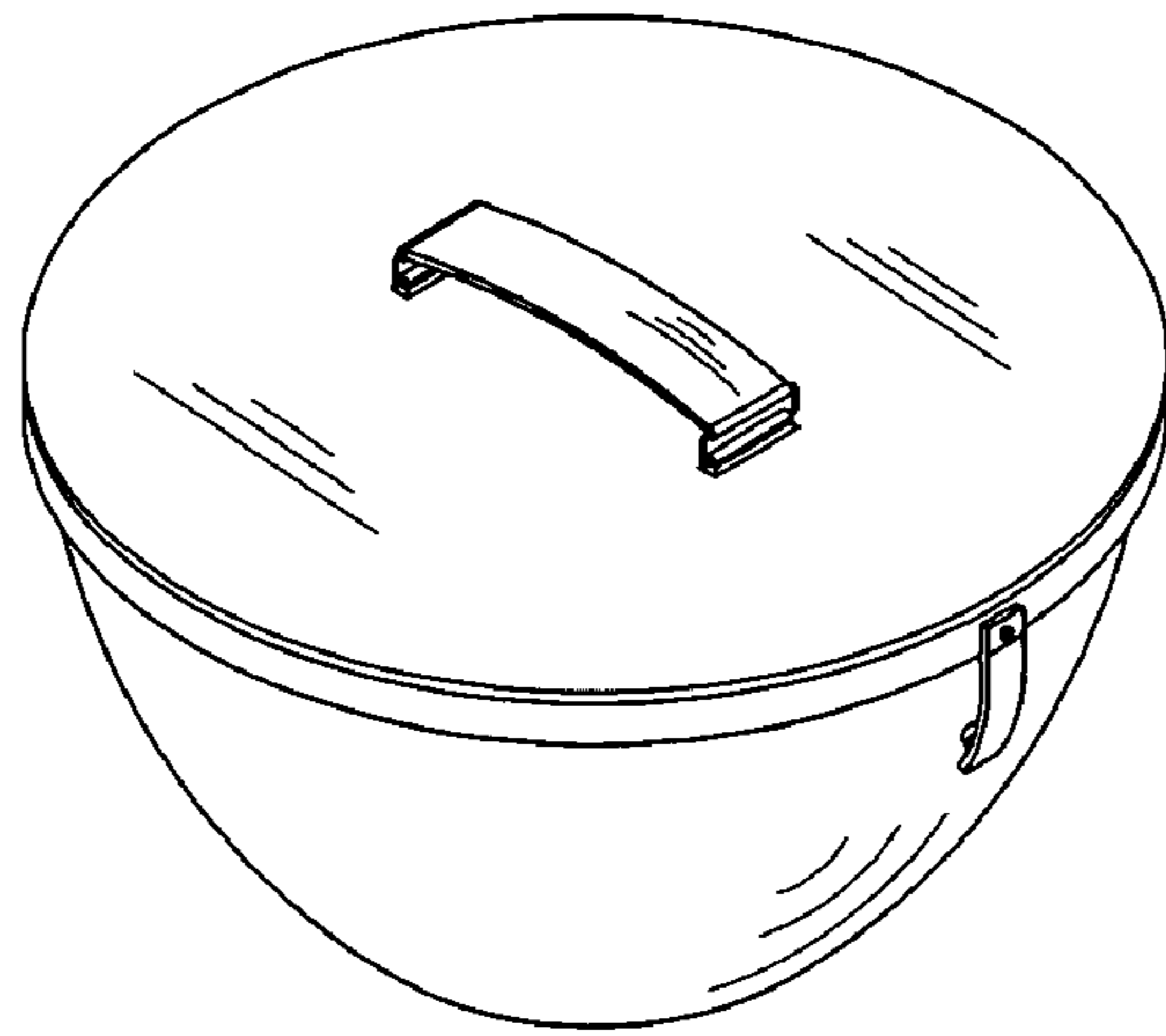


Fig.1

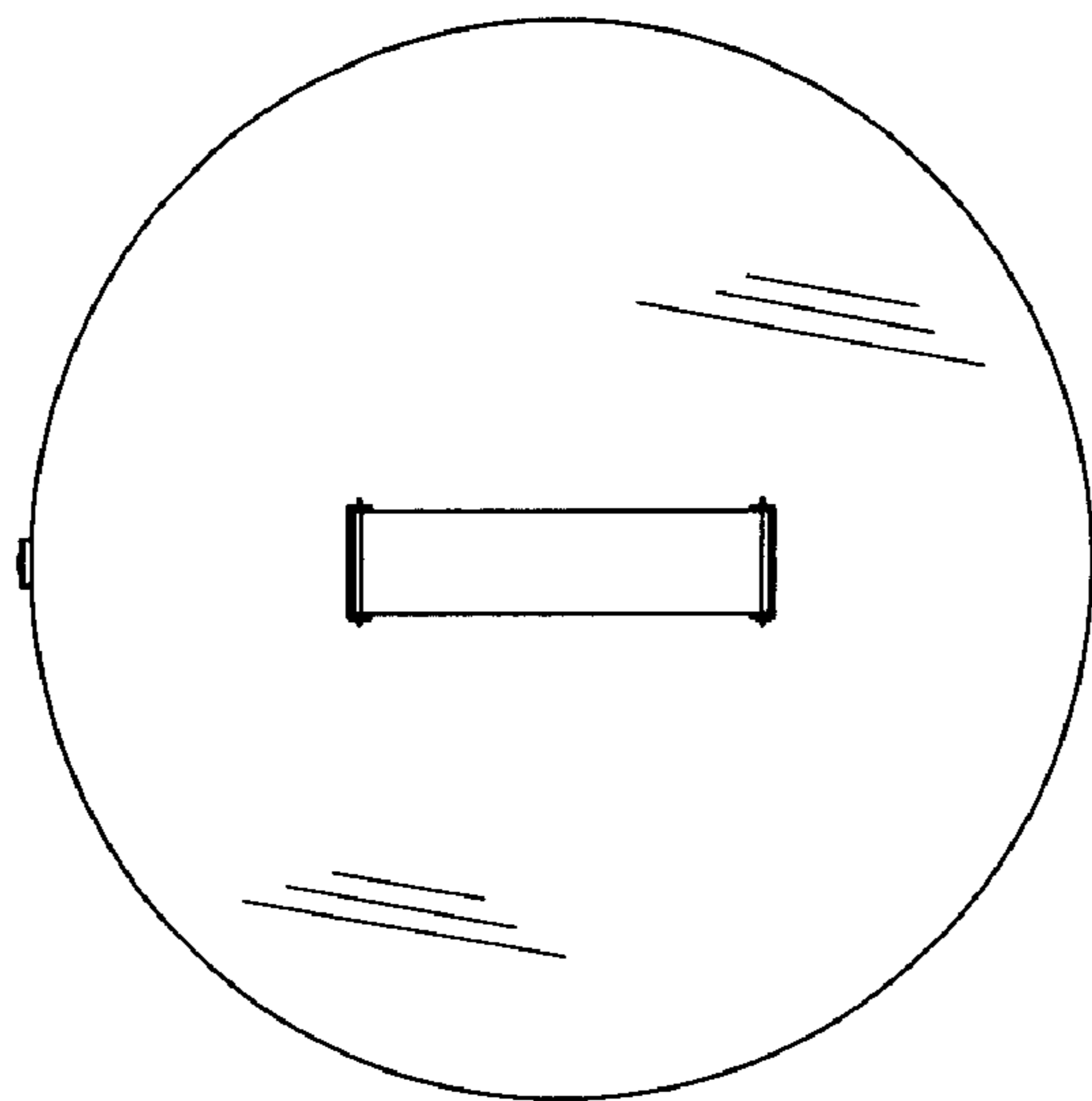


Fig.2

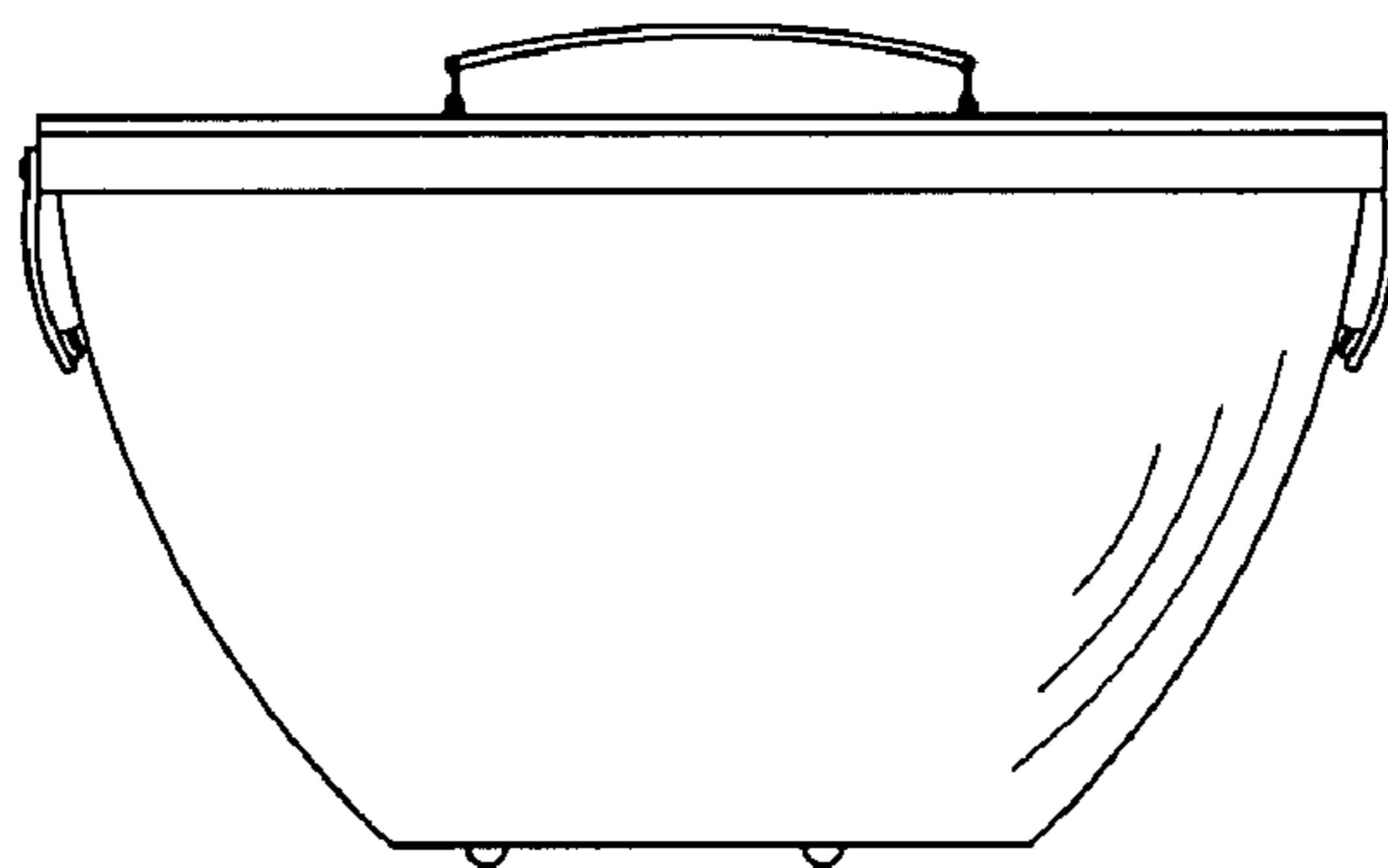


Fig.3

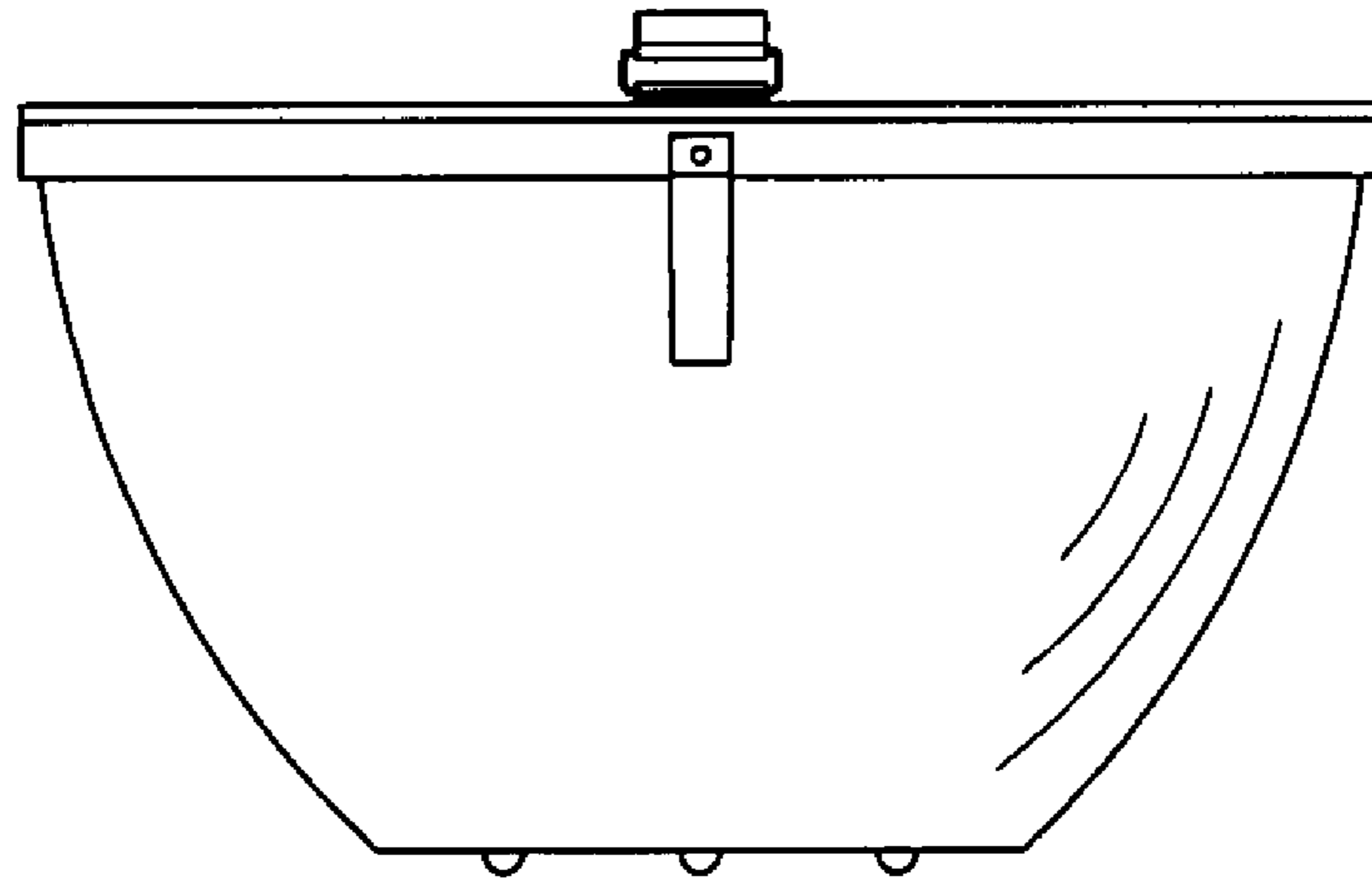


Fig.4

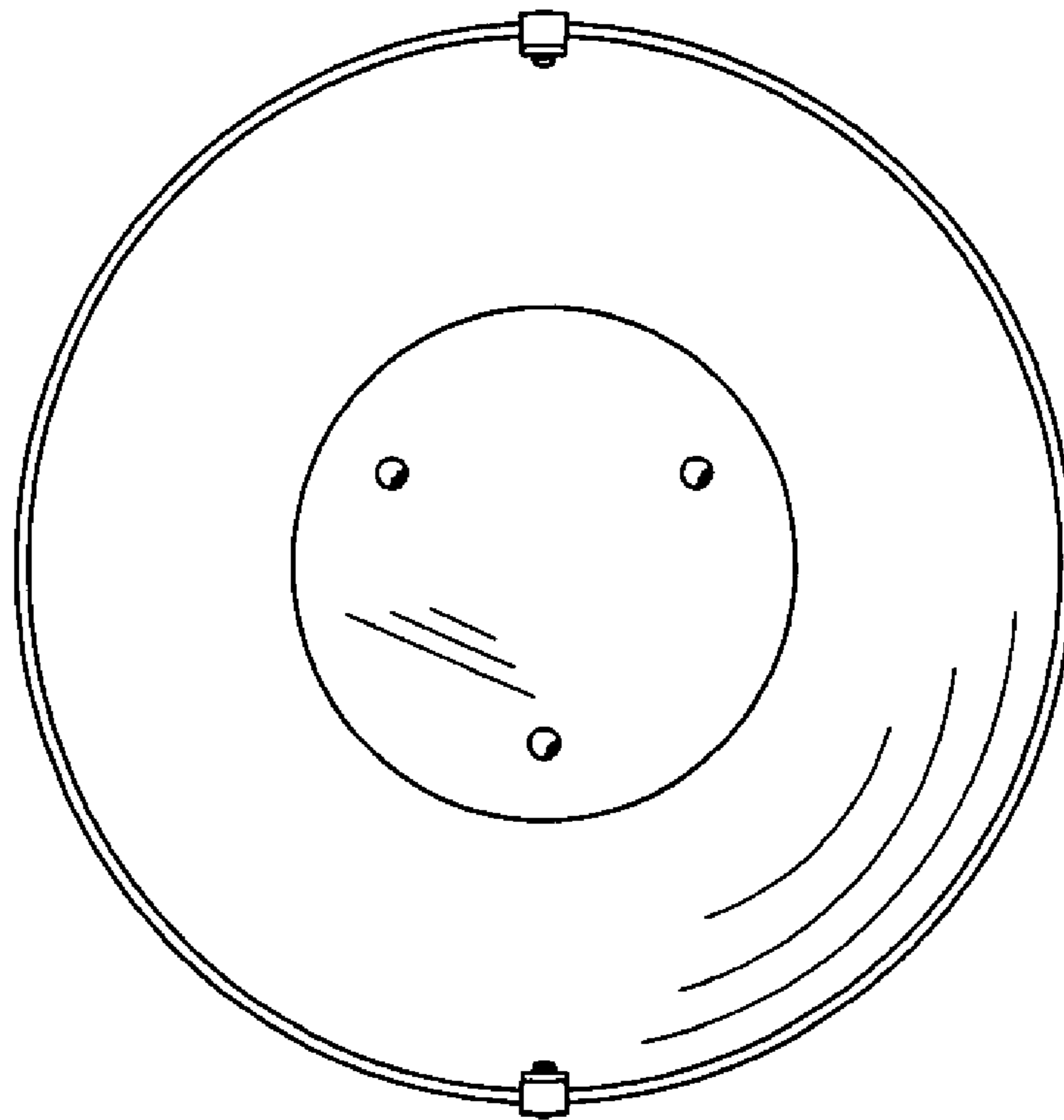


Fig.5