

US00D569616S

(12) **United States Design Patent**  
**Lin**

(10) **Patent No.:** **US D569,616 S**

(45) **Date of Patent:** **\*\* May 27, 2008**

(54) **TOOL BOX**

D552,352 S \* 10/2007 Lin ..... D3/294

(76) Inventor: **Hung-Lin Lin**, No. 581-6, Changhsing Rd., Sec. 2, Chuanghua City (TW)

\* cited by examiner

(\*\*) Term: **14 Years**

*Primary Examiner*—Gary D. Watson  
*Assistant Examiner*—R.L. (Ulm) Cody  
(74) *Attorney, Agent, or Firm*—Rosenberg, Klein & Lee

(21) Appl. No.: **29/271,029**

(22) Filed: **Jan. 9, 2007**

(57) **CLAIM**

(51) **LOC (8) Cl.** ..... **03-01**

The ornamental design for a tool box, as shown and described.

(52) **U.S. Cl.** ..... **D3/273; D3/905**

(58) **Field of Classification Search** ..... D3/273,  
D3/276, 282, 284, 294–296, 315, 905; D9/418;  
206/349, 372–373; 220/4.21–4.22  
See application file for complete search history.

**DESCRIPTION**

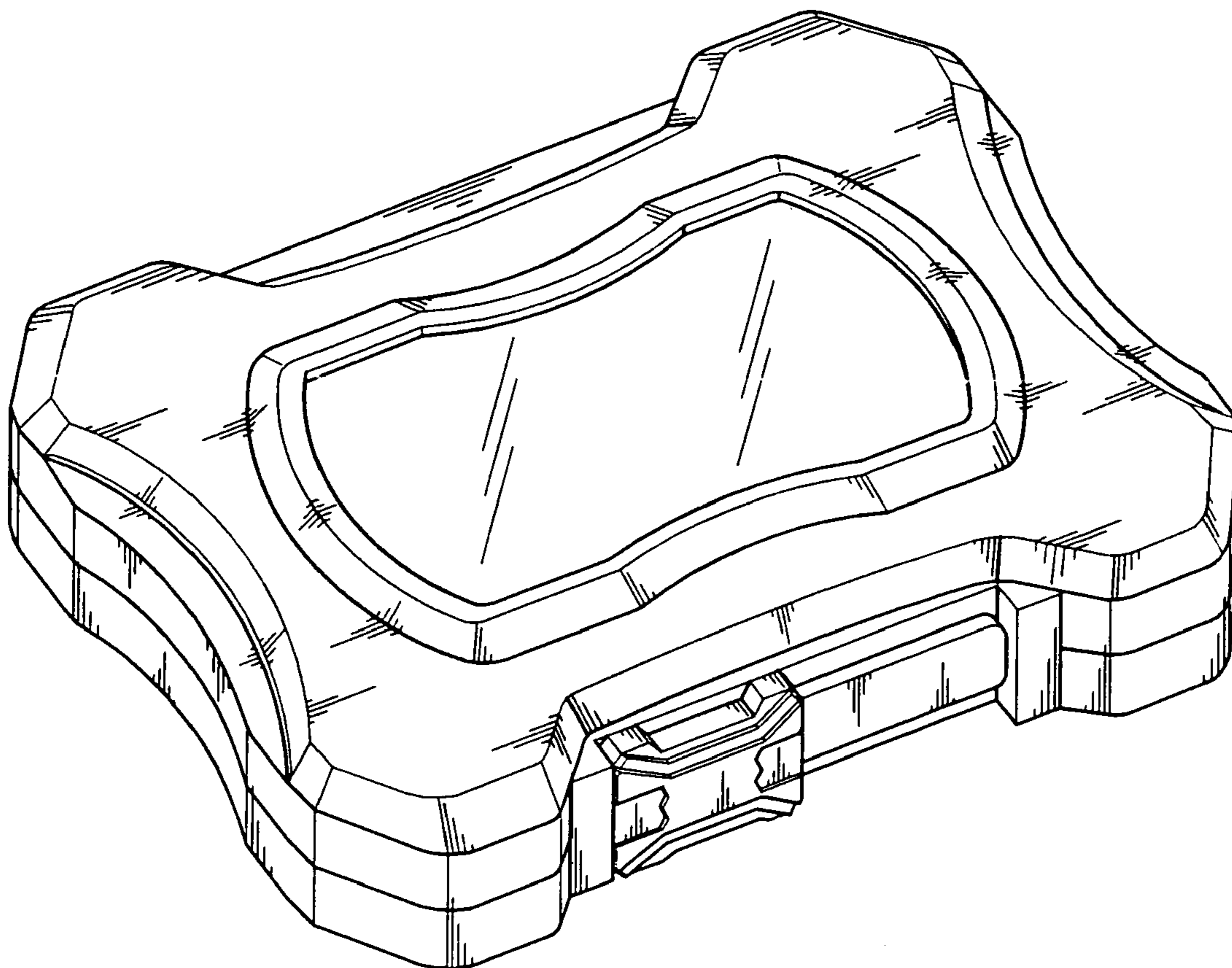
(56) **References Cited**

**U.S. PATENT DOCUMENTS**

D437,684 S *	2/2001	Streich et al. ....	D3/273
D447,634 S *	9/2001	Snider .....	D3/294
D477,912 S *	8/2003	Cunningham et al. ....	D3/273
D481,868 S *	11/2003	Cunningham et al. ....	D3/273
D531,805 S *	11/2006	Aglassinger .....	D3/315
D548,971 S *	8/2007	Lin .....	D3/294

FIG. 1 is a perspective view of a tool box showing my new design;  
FIG. 2 is a top plan view thereof;  
FIG. 3 is a bottom plan view thereof;  
FIG. 4 is a front elevational view thereof;  
FIG. 5 is a rear elevational view thereof;  
FIG. 6 is a left side elevational view thereof; and,  
FIG. 7 is a right side elevational view thereof.

**1 Claim, 4 Drawing Sheets**



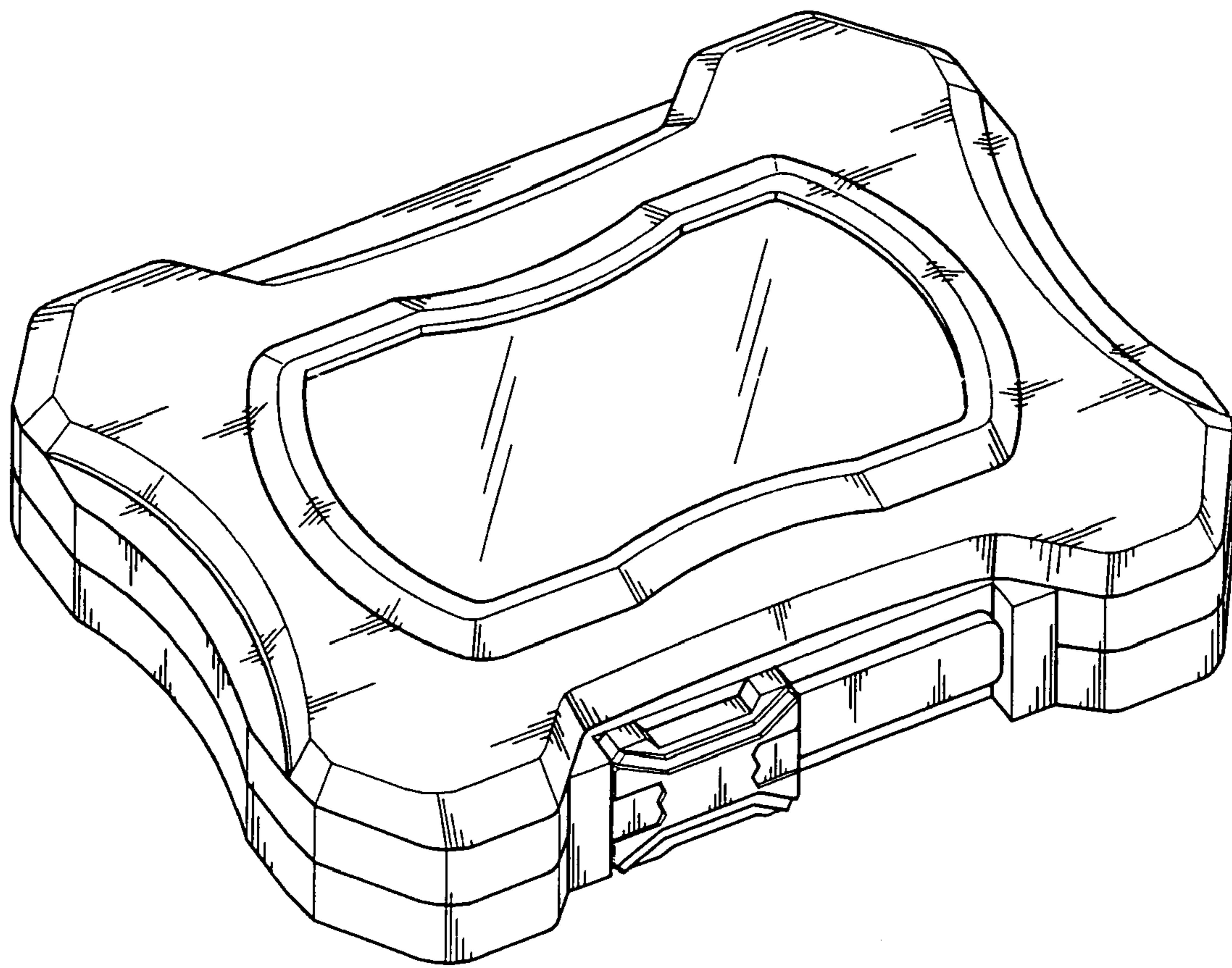


FIG. 1

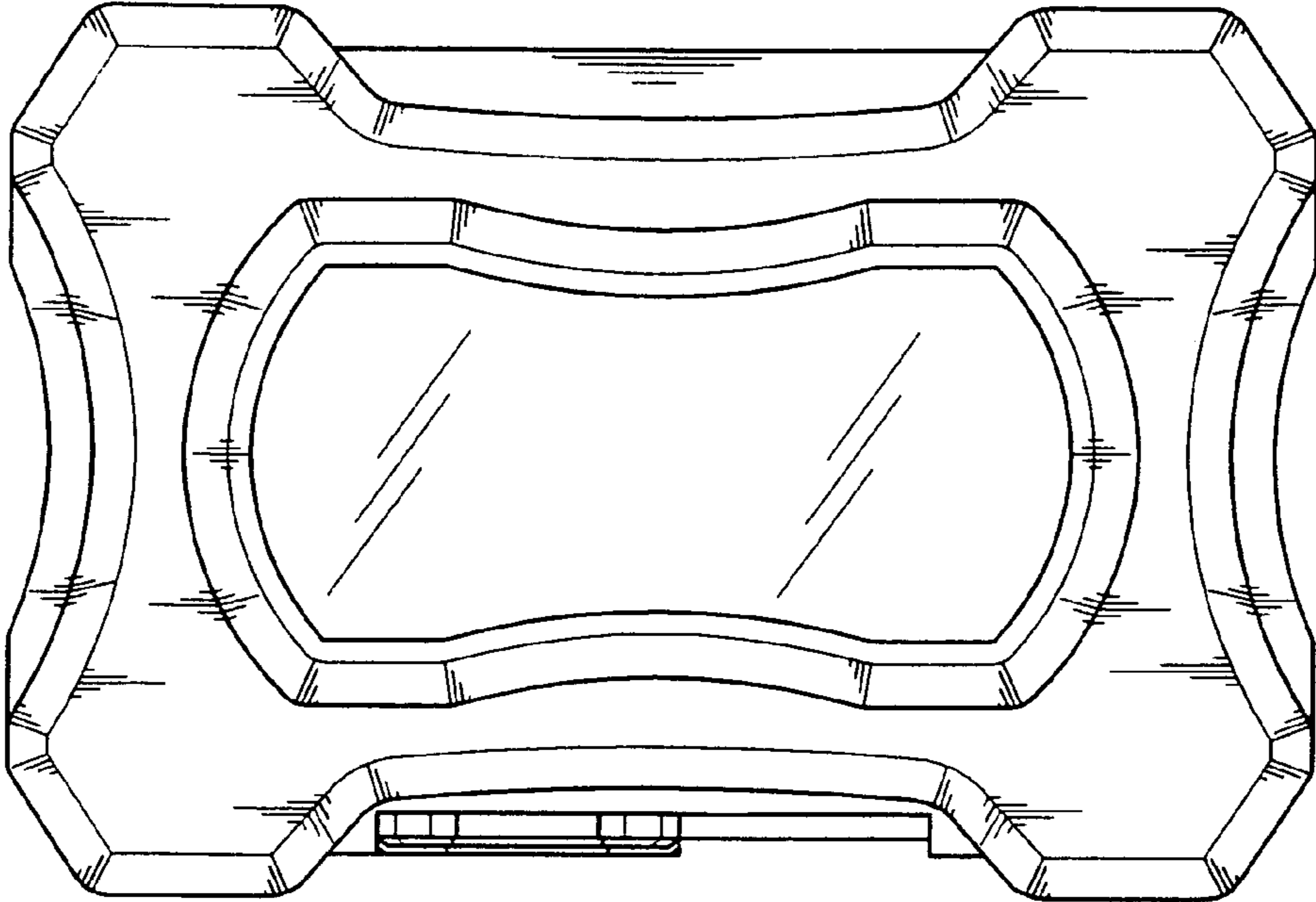


FIG. 2

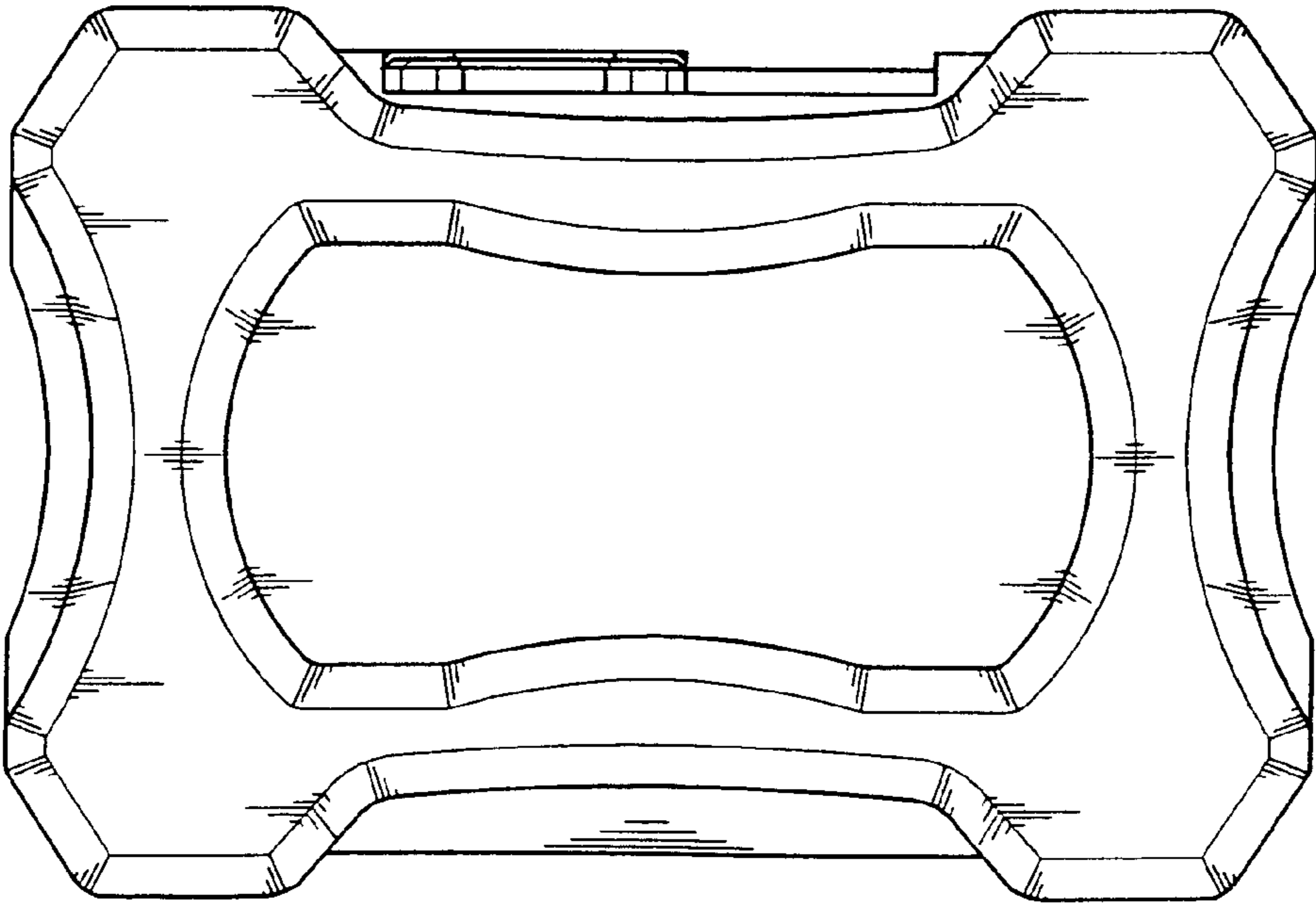


FIG. 3

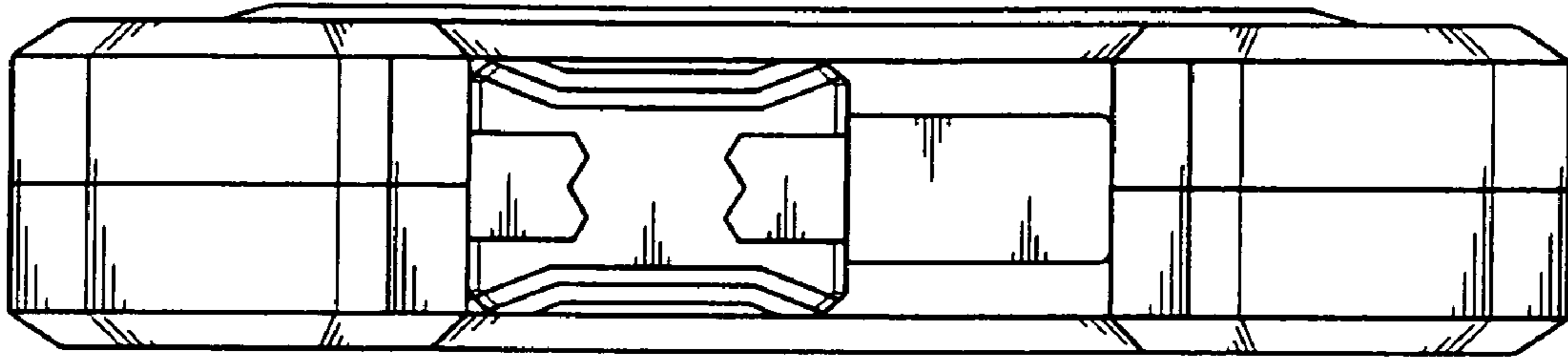


FIG. 4

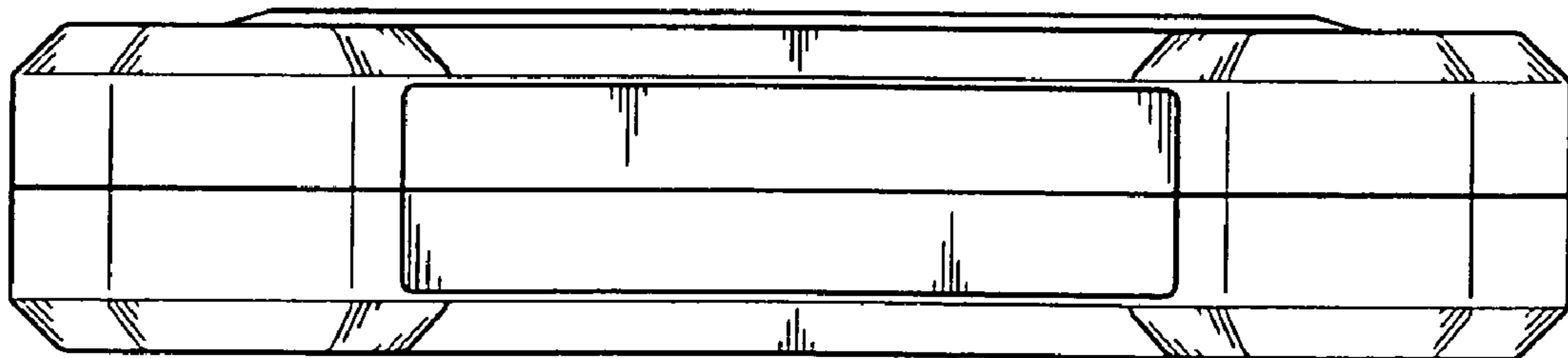


FIG. 5

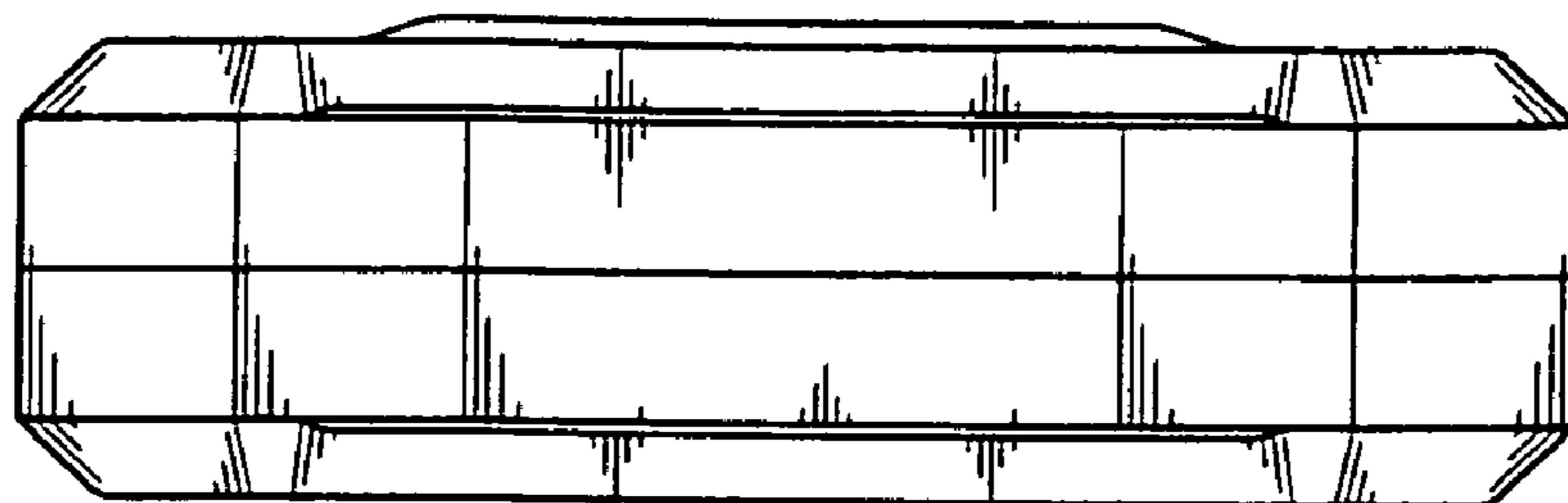


FIG. 6

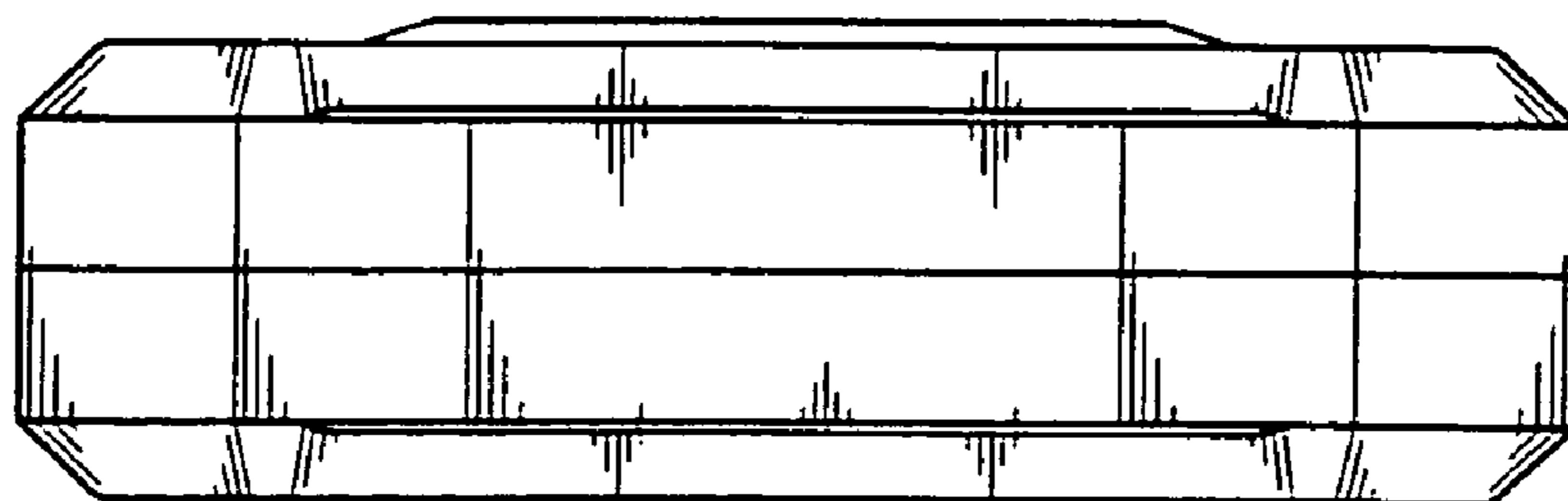


FIG. 7