



US00D569607S

(12) **United States Design Patent**  
**Calco et al.**

(10) **Patent No.:** **US D569,607 S**  
(45) **Date of Patent:** **\*\* May 27, 2008**

(54) **MULTI-FUNCTION PROTECTIVE ASSEMBLY FOR PORTABLE DIGITAL MEDIA STORAGE AND PLAYBACK DEVICE**

(75) Inventors: **Wayne A. Calco**, Mountain View, CA (US); **Garey De Angelis**, Charleston, SC (US); **Jeff Grady**, Charleston, SC (US); **Andrew Green**, Mount Pleasant, SC (US)

(73) Assignee: **Netalog, Inc.**, Charleston, SC (US)

(\*\*) Term: **14 Years**

(21) Appl. No.: **29/252,488**

(22) Filed: **Jan. 24, 2006**

(51) **LOC (8) Cl.** ..... **03-01**

(52) **U.S. Cl.** ..... **D3/201; D3/218**

(58) **Field of Classification Search** ..... D3/201, D3/218, 215, 226, 269, 272-273; 206/305, 206/320; 455/90, 92, 42; 379/455; 224/901, 224/904, 682-683; D14/496, 156, 138  
See application file for complete search history.

(56) **References Cited**

**U.S. PATENT DOCUMENTS**

D540,539 S *	4/2007	Gutierrez	.....	D3/269
D542,524 S *	5/2007	Richardson et al.	.....	D3/218
D547,056 S *	7/2007	Griffin et al.	.....	D3/218
D547,057 S *	7/2007	Griffin et al.	.....	D3/218
2007/0021068 A1 *	1/2007	Dewhurst	.....	455/42

**OTHER PUBLICATIONS**

ABT iJet for Nano: Portable and versatile compact RF remote with optional FM transmitter, Found on-line at <http://www.abtech2.com/cutsheets/jetnano.jpg>, May 3, 2006, Publisher: ABT.  
ezGear clearCase<sup>(TM)</sup> nano & for iPod® nano, Found on-line at [http://www.ezgear4u.com/clearCase\\_nano.htm](http://www.ezgear4u.com/clearCase_nano.htm), May 3, 2006, Publisher, ezGear<sup>(TM)</sup>.

\* cited by examiner

*Primary Examiner*—Catherine R. Oliver

(74) *Attorney, Agent, or Firm*—Vincent K. Gustafson; Intellectual Property/Technology Law

(57) **CLAIM**

The ornamental design for a multi-function protective assembly for portable digital media storage and playback device, as shown and described.

**DESCRIPTION**

FIG. 1 is a perspective view of a multi-function protective assembly for portable digital media storage and playback device showing our new design, with the device disposed in a closed position;

FIG. 2 is a front elevation view thereof, with the device disposed in a closed position;

FIG. 3 is a rear elevation view thereof, with the device disposed in a closed position;

FIG. 4 is a left side elevation view thereof, with the device disposed in a closed position;

FIG. 5 is a right side elevation view thereof, with the device disposed in a closed position;

FIG. 6 is a top plan view thereof, with the device disposed in a closed position;

FIG. 7 is a bottom plan view thereof, with the device disposed in a closed position;

FIG. 8 is a front elevation view thereof, with the device disposed in an open position;

FIG. 9 is a right side elevation view thereof, with the device disposed in an open position;

FIG. 10 is a left side elevation view thereof, with the device disposed in an open position;

FIG. 11 is a bottom plan view thereof, with the device disposed in an open position;

FIG. 12 is a front elevation view thereof, with the device disposed in a closed position, and further showing as environmental structure in broken lines a portable digital media storage and playback device disposed within the multi-function protective assembly of the present invention;

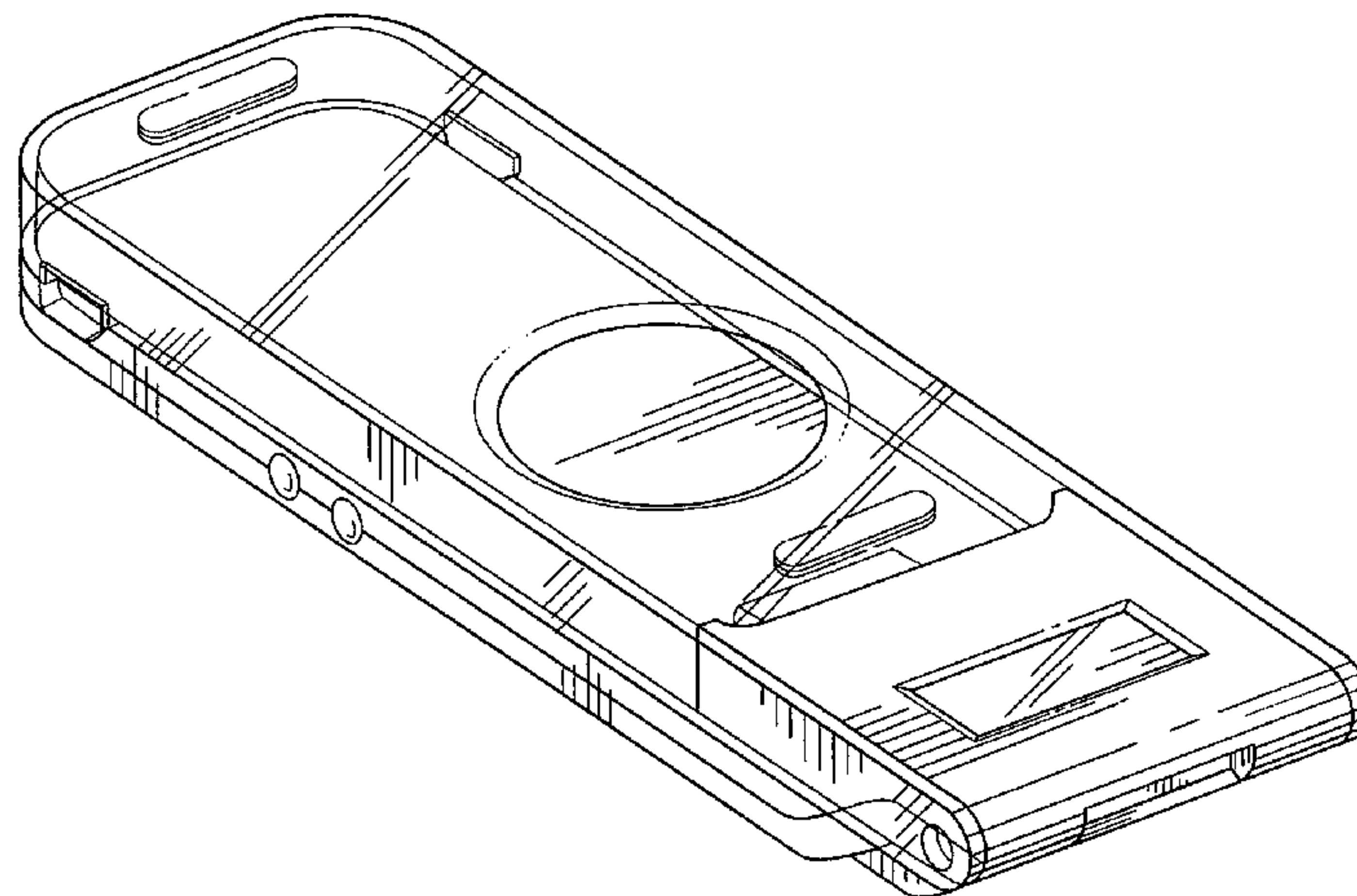


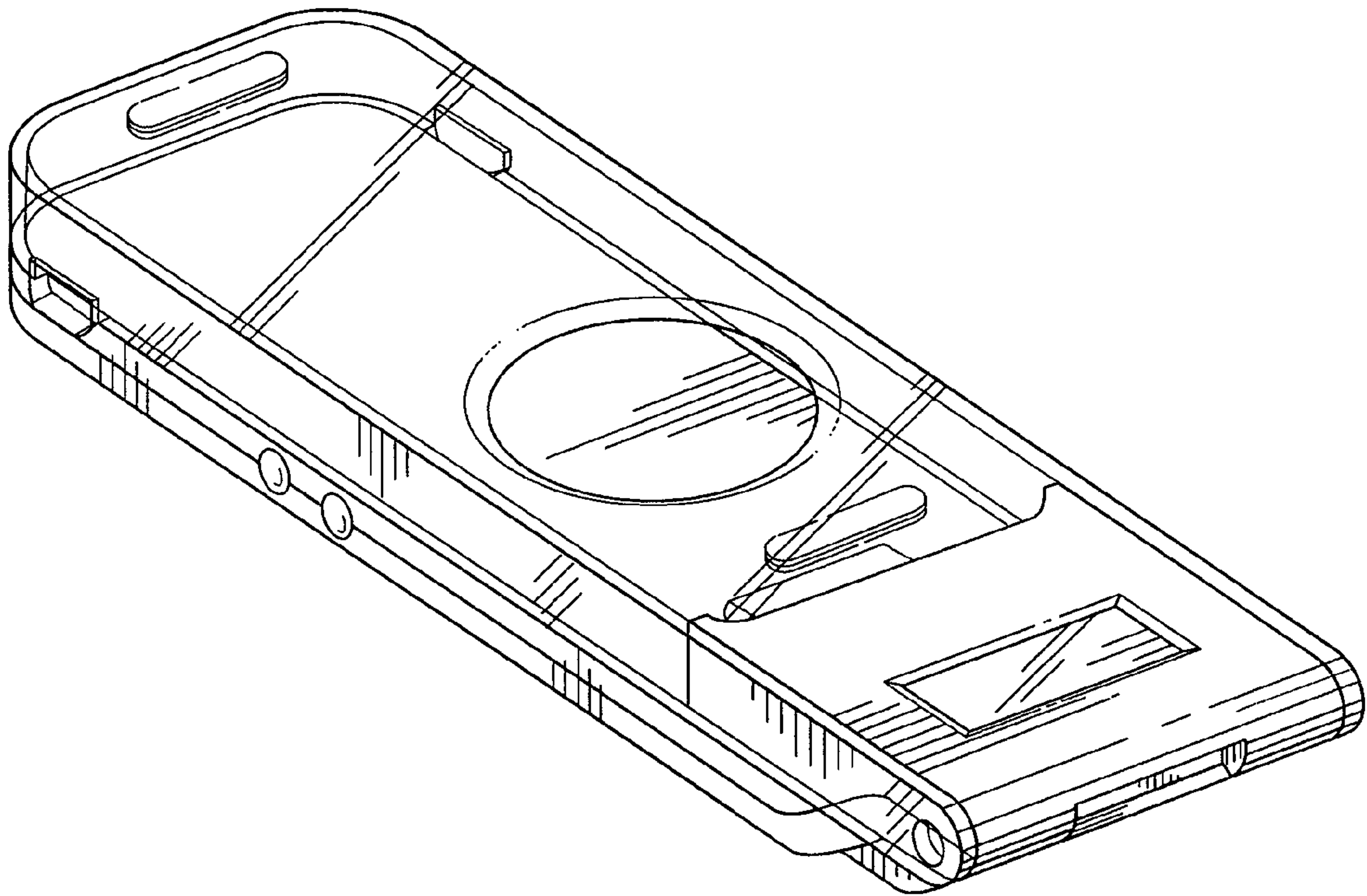
FIG. **13** is a right side elevation view thereof, with the device disposed in an open position, and showing as environmental structure in broken lines a portable digital media storage and playback device disposed within the multi-function protective assembly of the present invention; and,

FIG. **14** is a right side elevation view thereof, with the device disposed in a closed position, and further showing as environmental structure in broken lines a portable digital media

storage and playback device disposed within the multi-function protective assembly of the present invention.

All structures indicated in broken lines are not part of the design sought to be patented.

**1 Claim, 5 Drawing Sheets**



*Fig. 1*

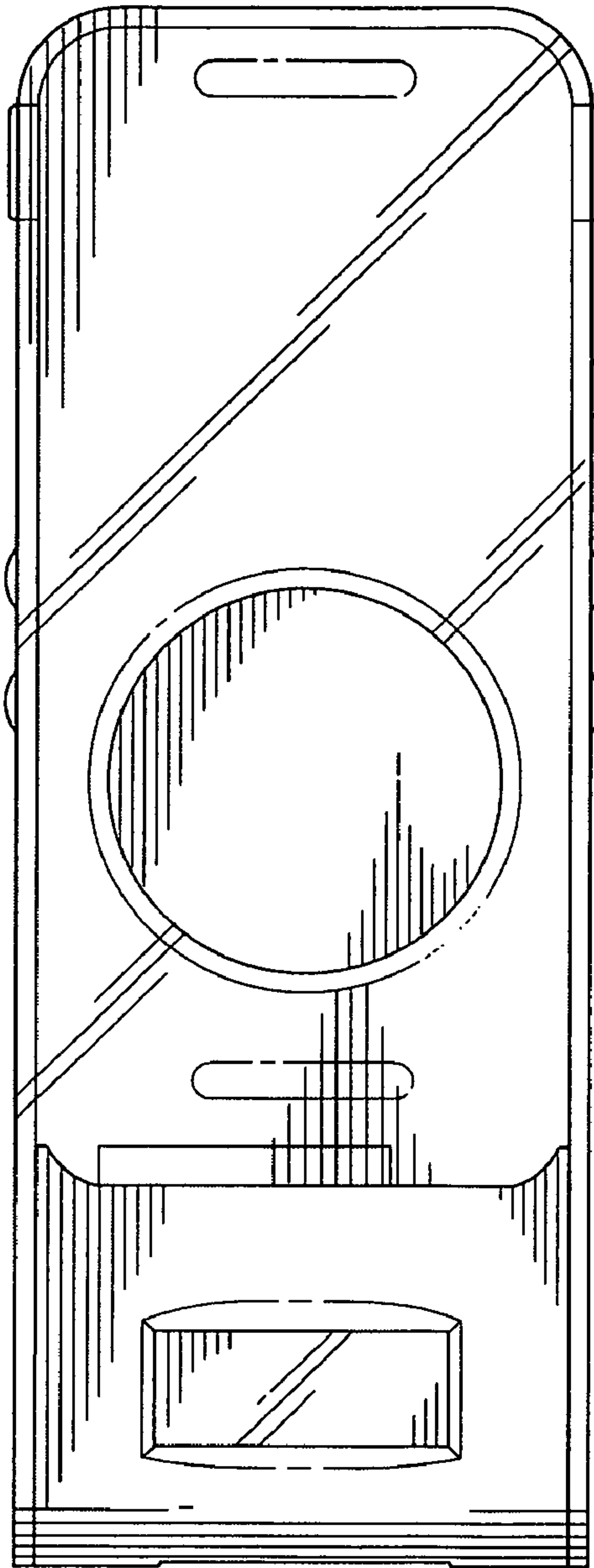


Fig. 2

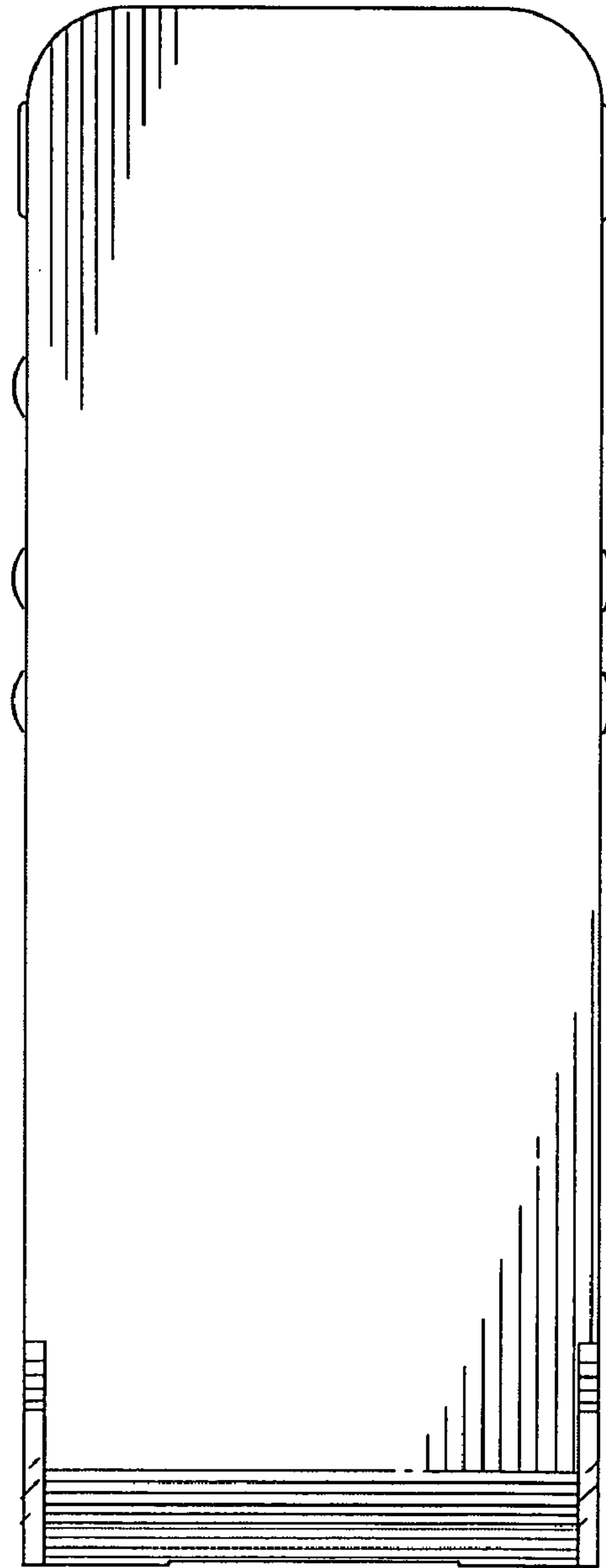
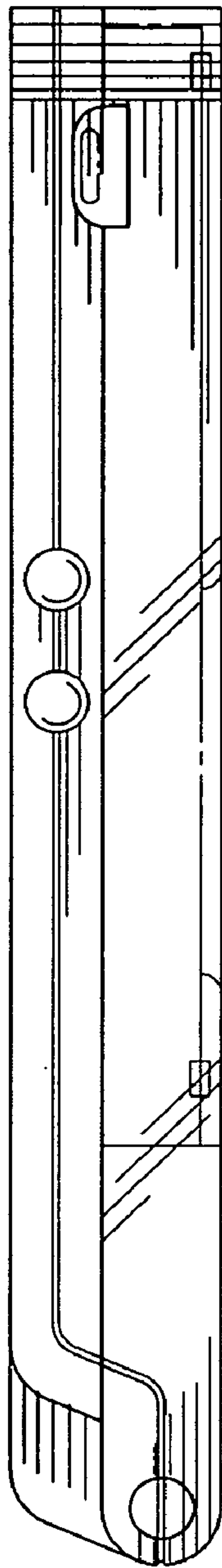
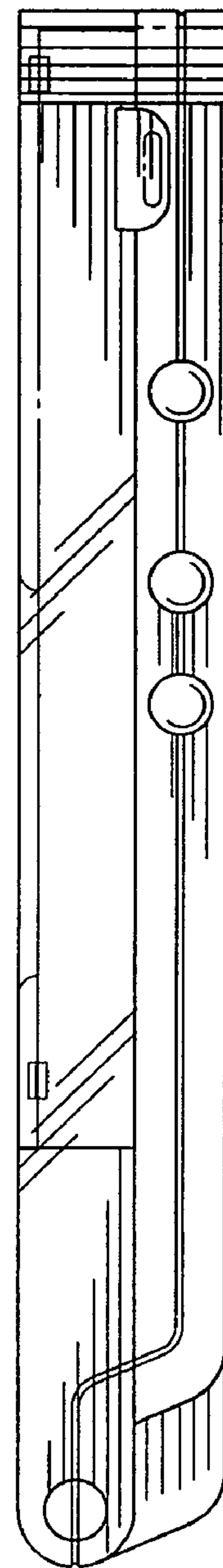


Fig. 3

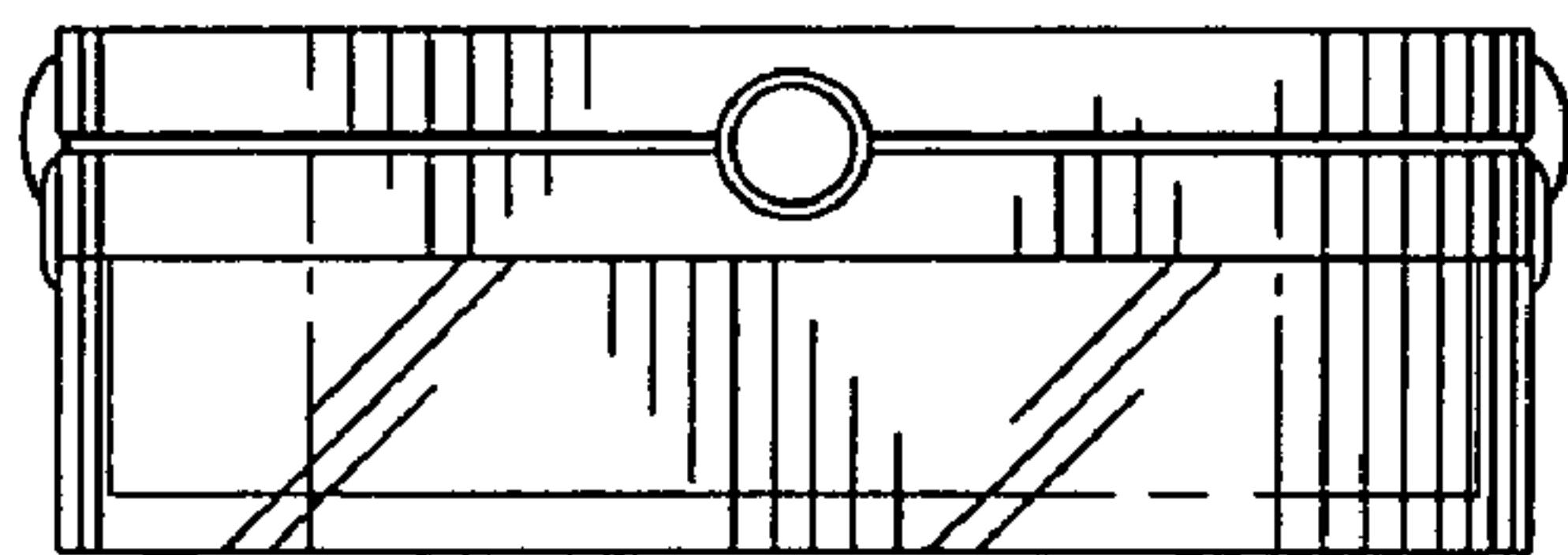




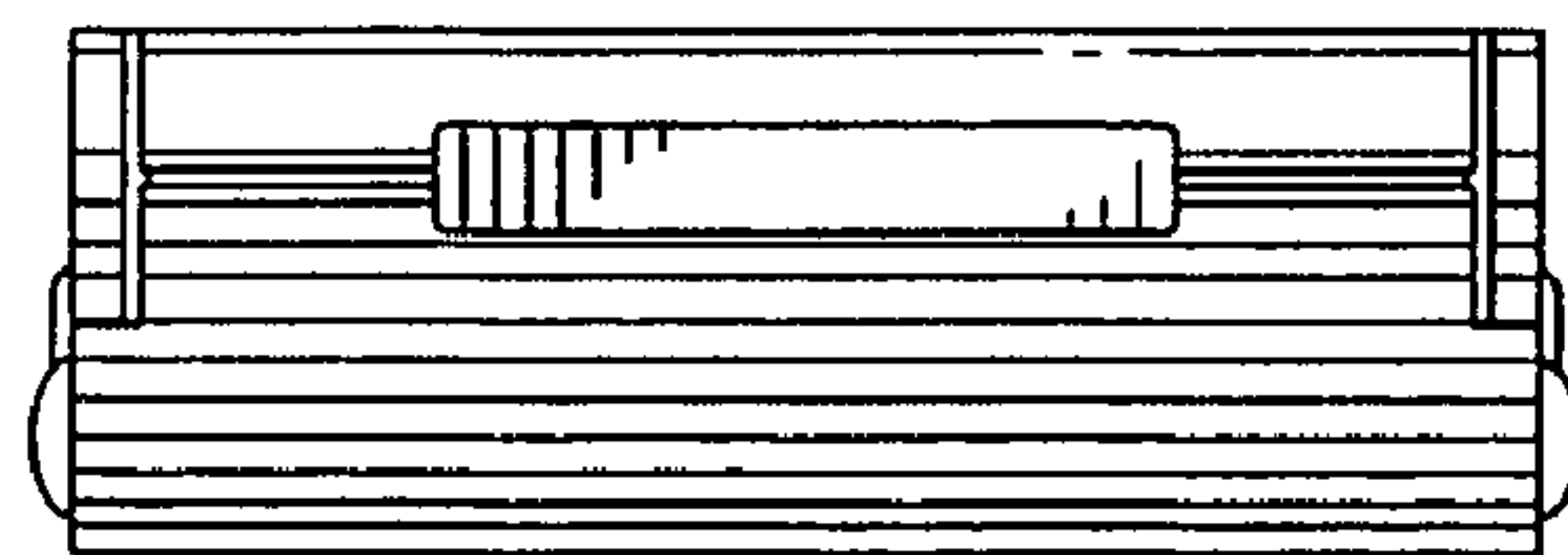
*Fig. 4*



*Fig. 5*



*Fig. 6*



*Fig. 7*

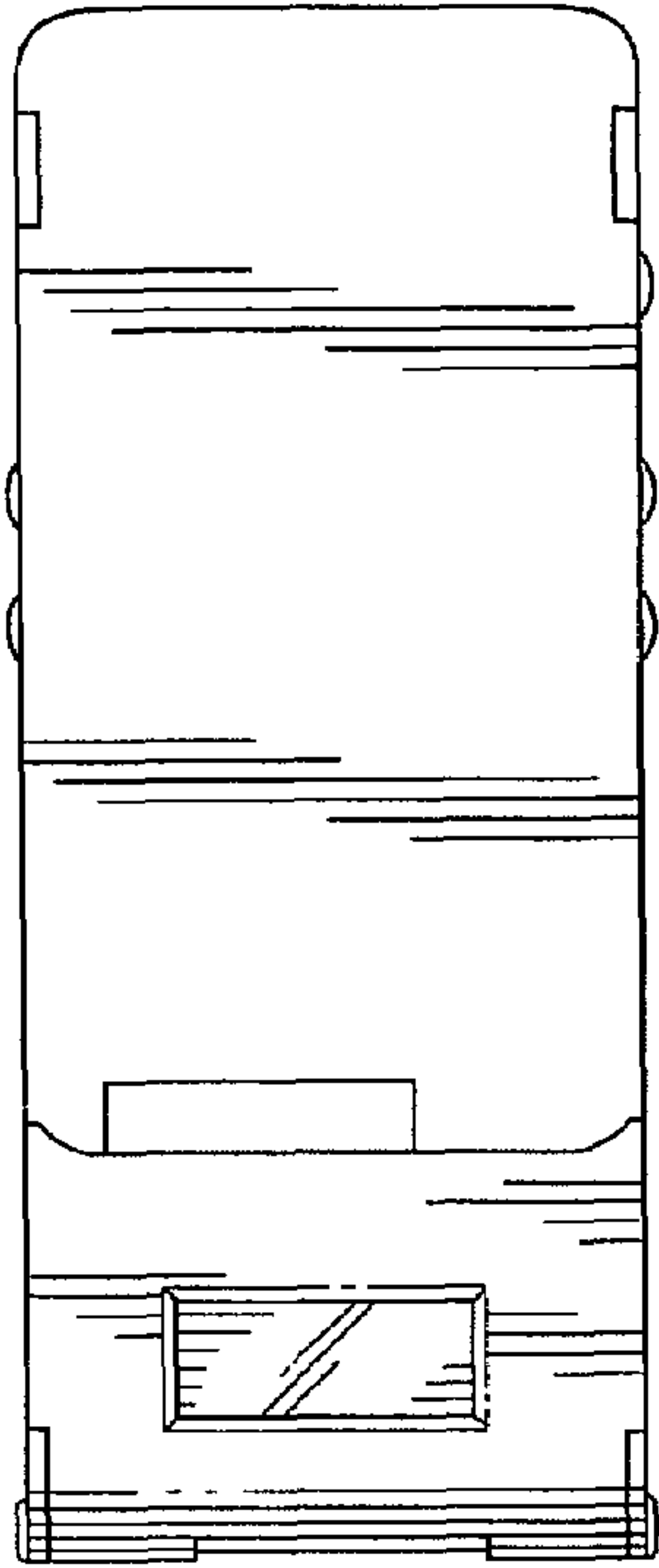


Fig. 8

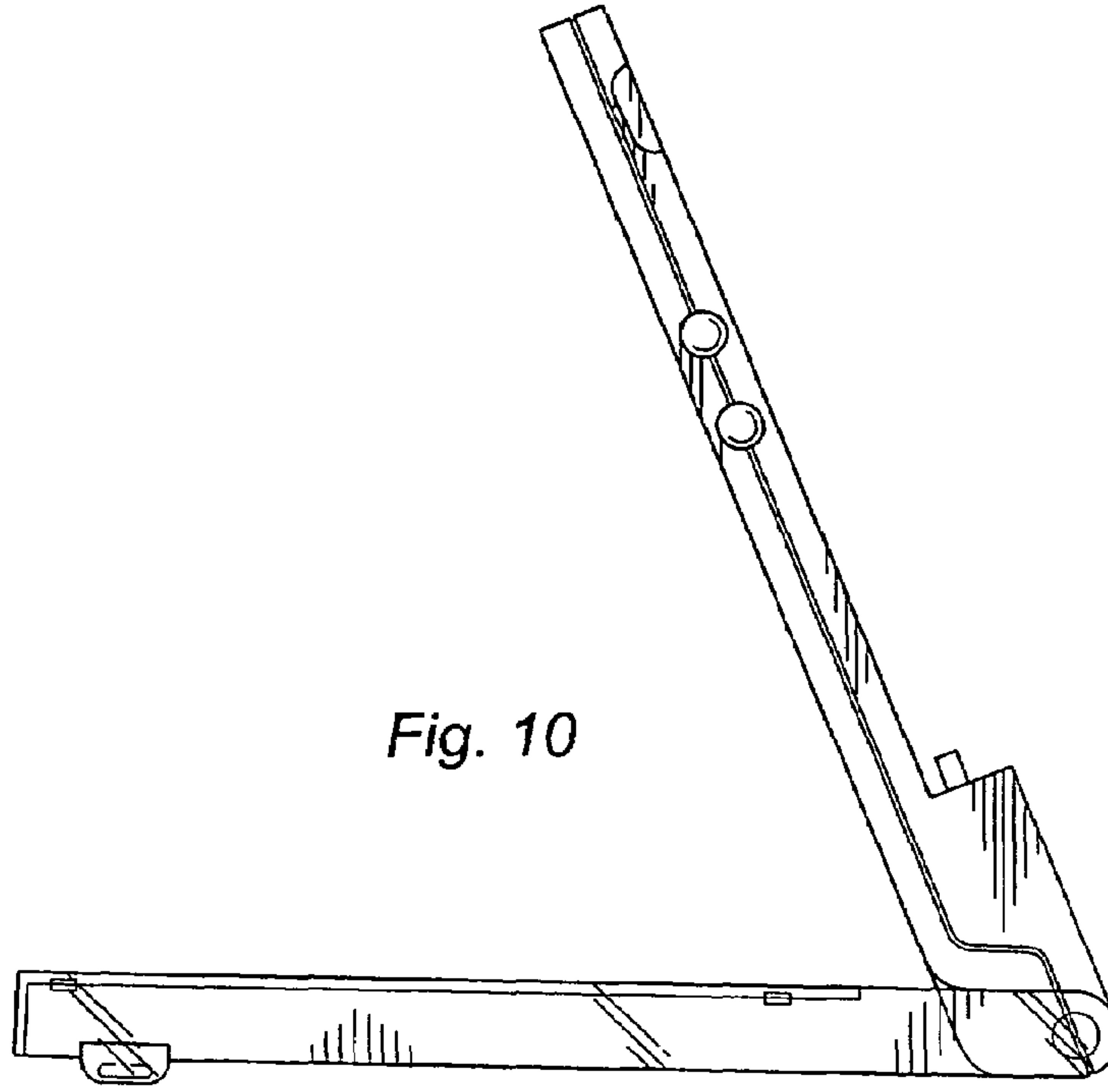


Fig. 10

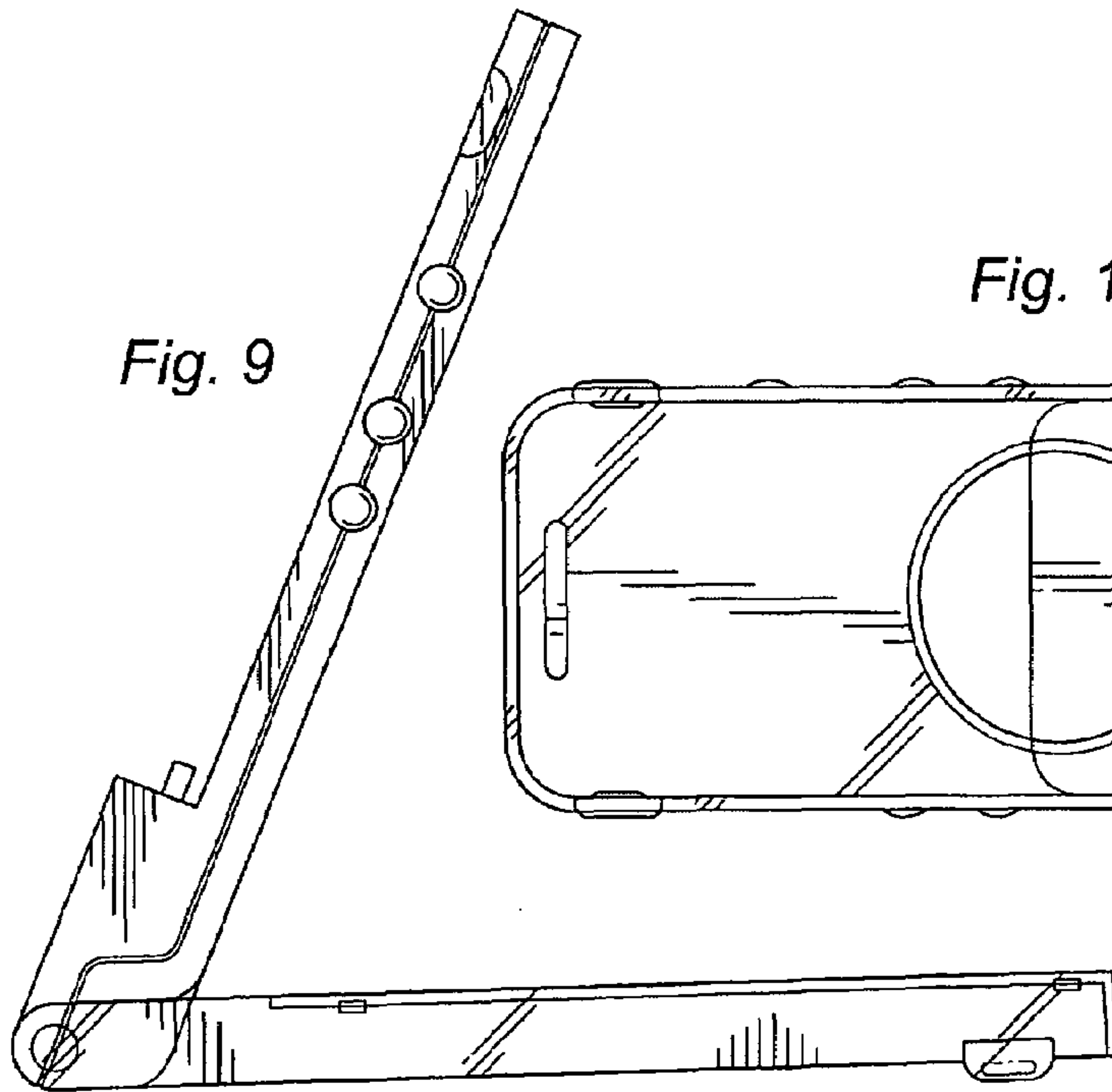


Fig. 9

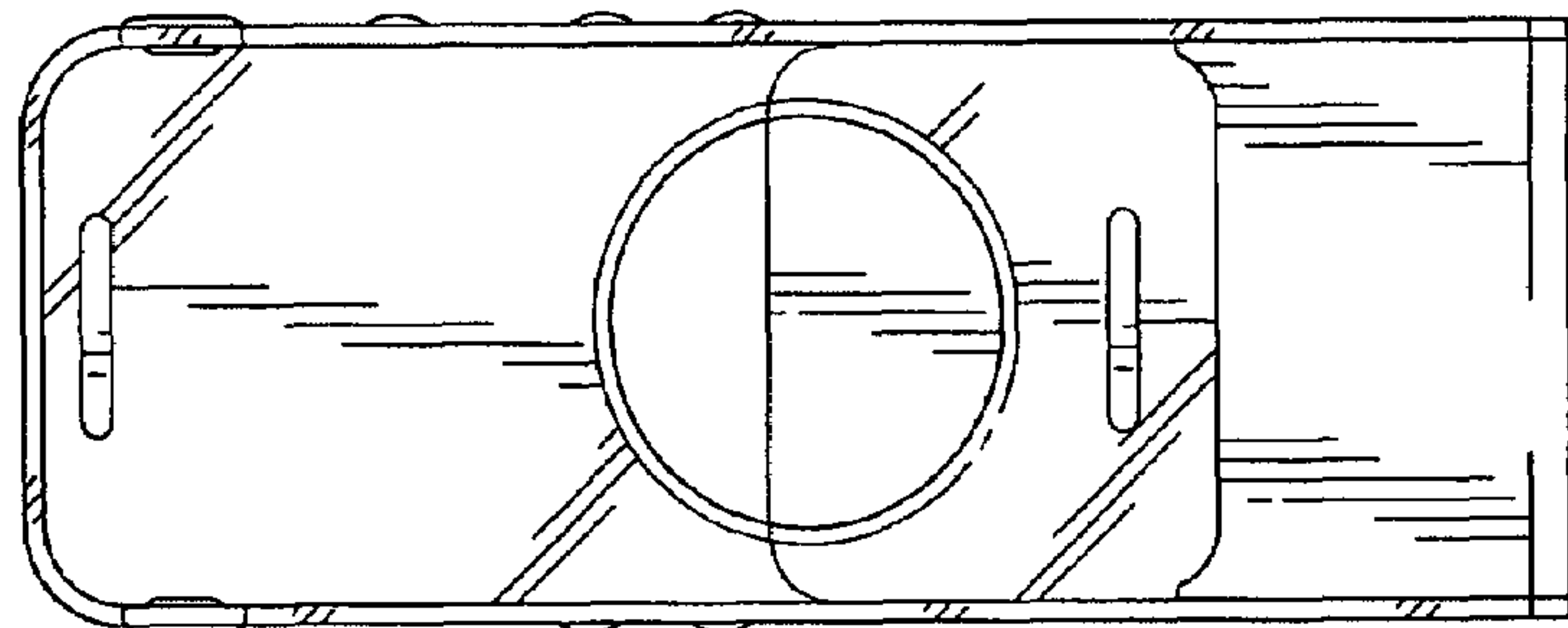


Fig. 11

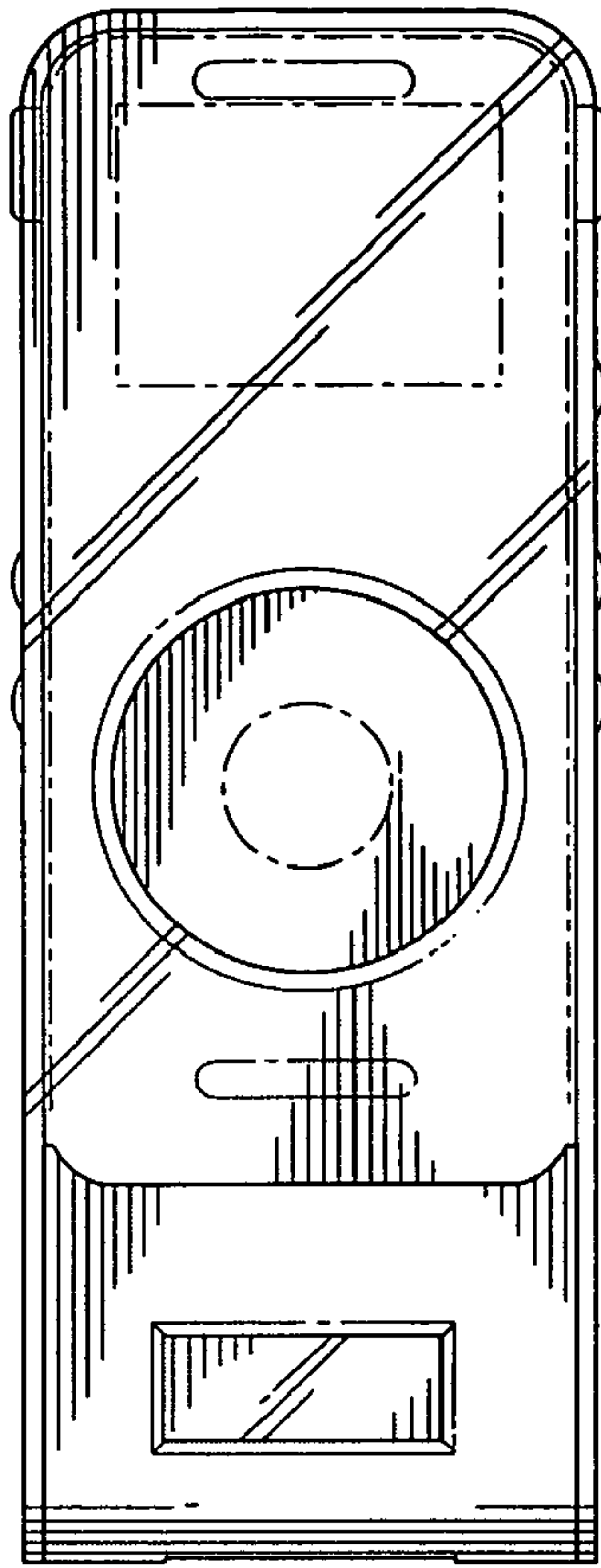


Fig. 12

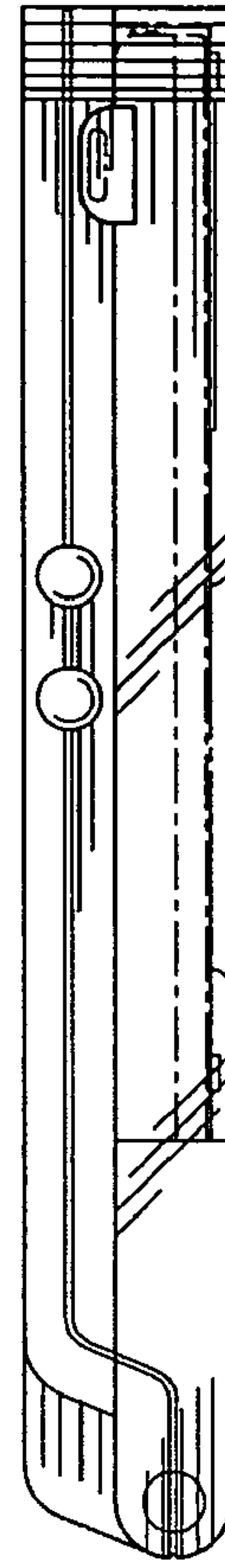


Fig. 14

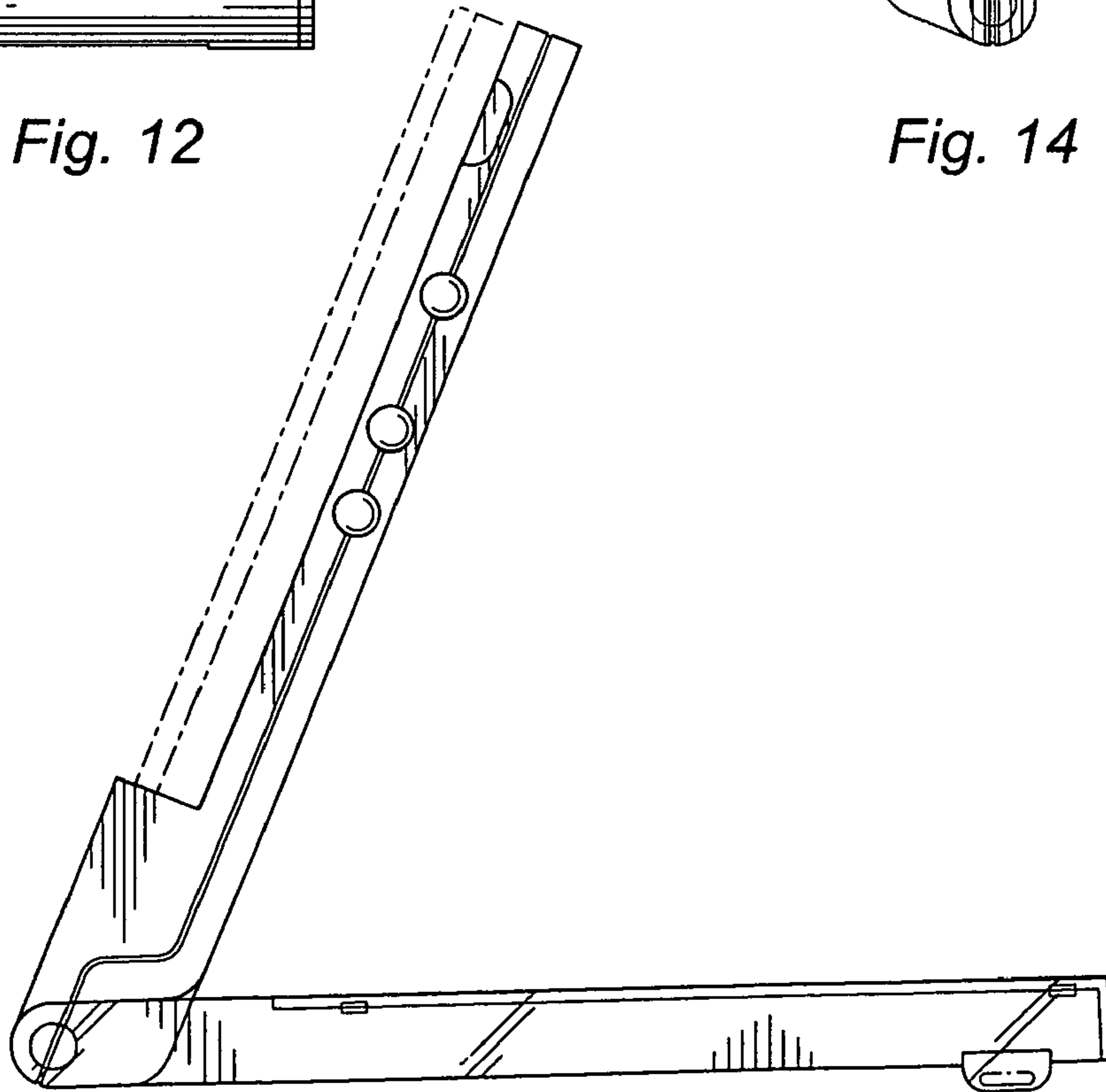


Fig. 13