



US00D569596S

(12) **United States Design Patent**
Terashima

(10) **Patent No.:** **US D569,596 S**

(45) **Date of Patent:** **** May 27, 2008**

(54) **GOLF SHOE SPIKE**

D509,050 S * 9/2005 Savoie D2/962
2003/0131502 A1* 7/2003 Terashima 36/127

(75) Inventor: **Yasuyuki Terashima**, Aichi (JP)

FOREIGN PATENT DOCUMENTS

(73) Assignee: **Japana Co., Ltd.**, Aichi (JP)

DE	1962430 U	6/1967
EP	0922401 A1	6/1999
GB	2322787 A	9/1998
JP	H02199028607	2/1990
JP	11262401	9/1999
JP	2001025401	1/2001
JP	2001197907	2/2001

(**) Term: **14 Years**

* cited by examiner

(21) Appl. No.: **29/249,255**

(22) Filed: **Sep. 28, 2006**

(30) **Foreign Application Priority Data**

Mar. 31, 2006 (JP) 2006-008399

Primary Examiner—Dominic Simone

Assistant Examiner—Rashida C. McCoy

(74) *Attorney, Agent, or Firm*—Adams Evans P.A.

(51) **LOC (8) Cl.** **02-04**

(52) **U.S. Cl.** **D2/962**

(58) **Field of Classification Search** D2/962,

D2/906, 914, 915, 946, 969; D6/533; 36/7.7,
36/7.6, 65, 67 A, 126–129, 134

See application file for complete search history.

(57) **CLAIM**

I claim the ornamental design for a golf shoe spike, as shown and described.

(56) **References Cited**

DESCRIPTION

U.S. PATENT DOCUMENTS

5,791,071 A	8/1998	Rosdail	
5,794,367 A	8/1998	Carroll	
5,887,371 A	3/1999	Curley, Jr.	
5,940,993 A	8/1999	Ronci	
D416,127 S	11/1999	Silvers	
D432,770 S	10/2000	Breault et al.	
6,167,641 B1	1/2001	McMullin	
D448,546 S	10/2001	Savoie	
D449,431 S	10/2001	Savoie	
D449,921 S	11/2001	McMullin	
D450,915 S	11/2001	McMullin	
D452,947 S *	1/2002	Terashima D2/962
D455,896 S	4/2002	Peabody	
D473,699 S *	4/2003	Savoie D2/962

FIG. 1 is a top, front perspective view thereof;

FIG. 2 is a top plan view thereof;

FIG. 3 is a front elevational view thereof;

FIG. 4 is a bottom plan view thereof;

FIG. 5 is a back elevational view thereof;

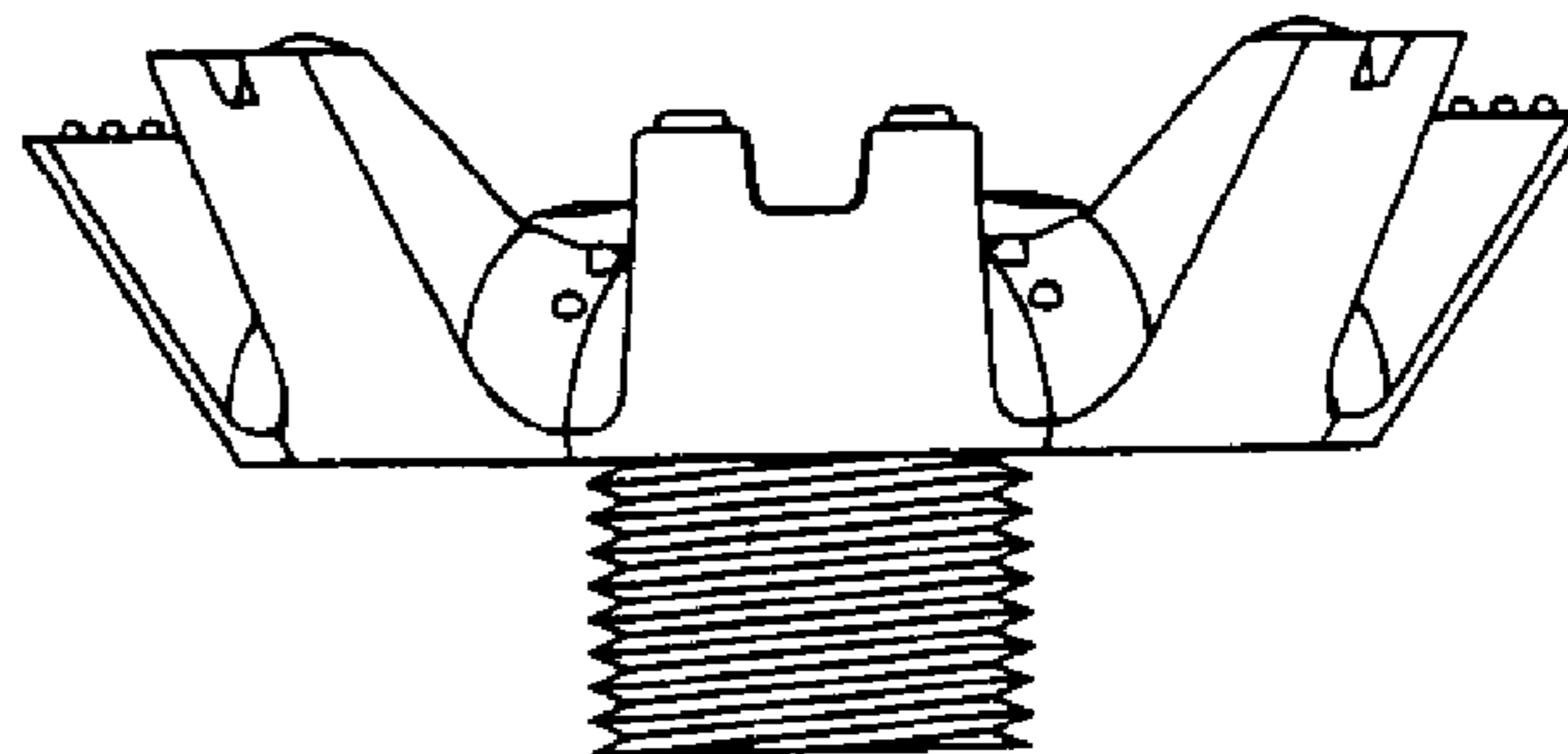
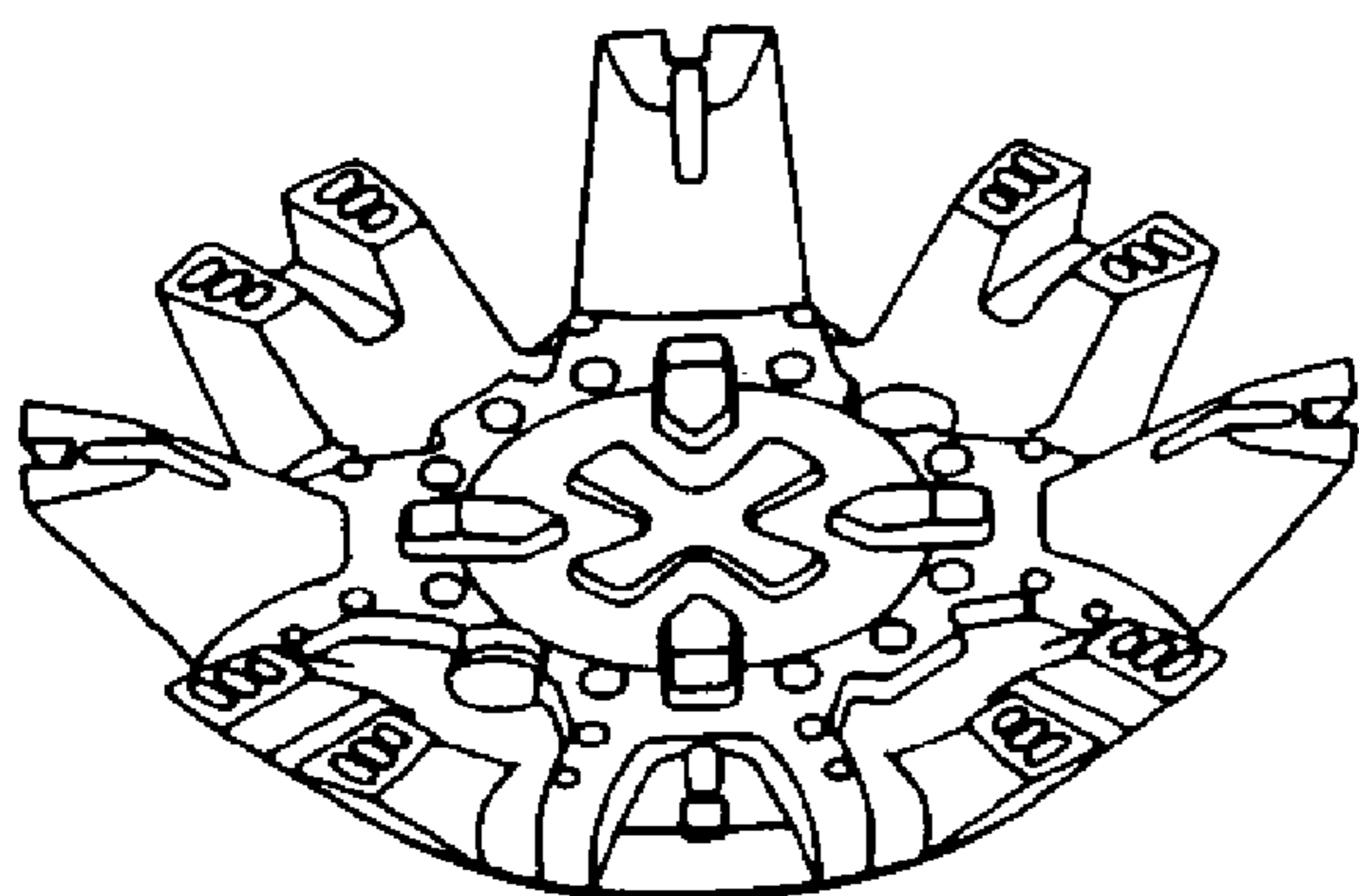
FIG. 6 is a right side elevational view thereof;

FIG. 7 is a left side elevational view thereof;

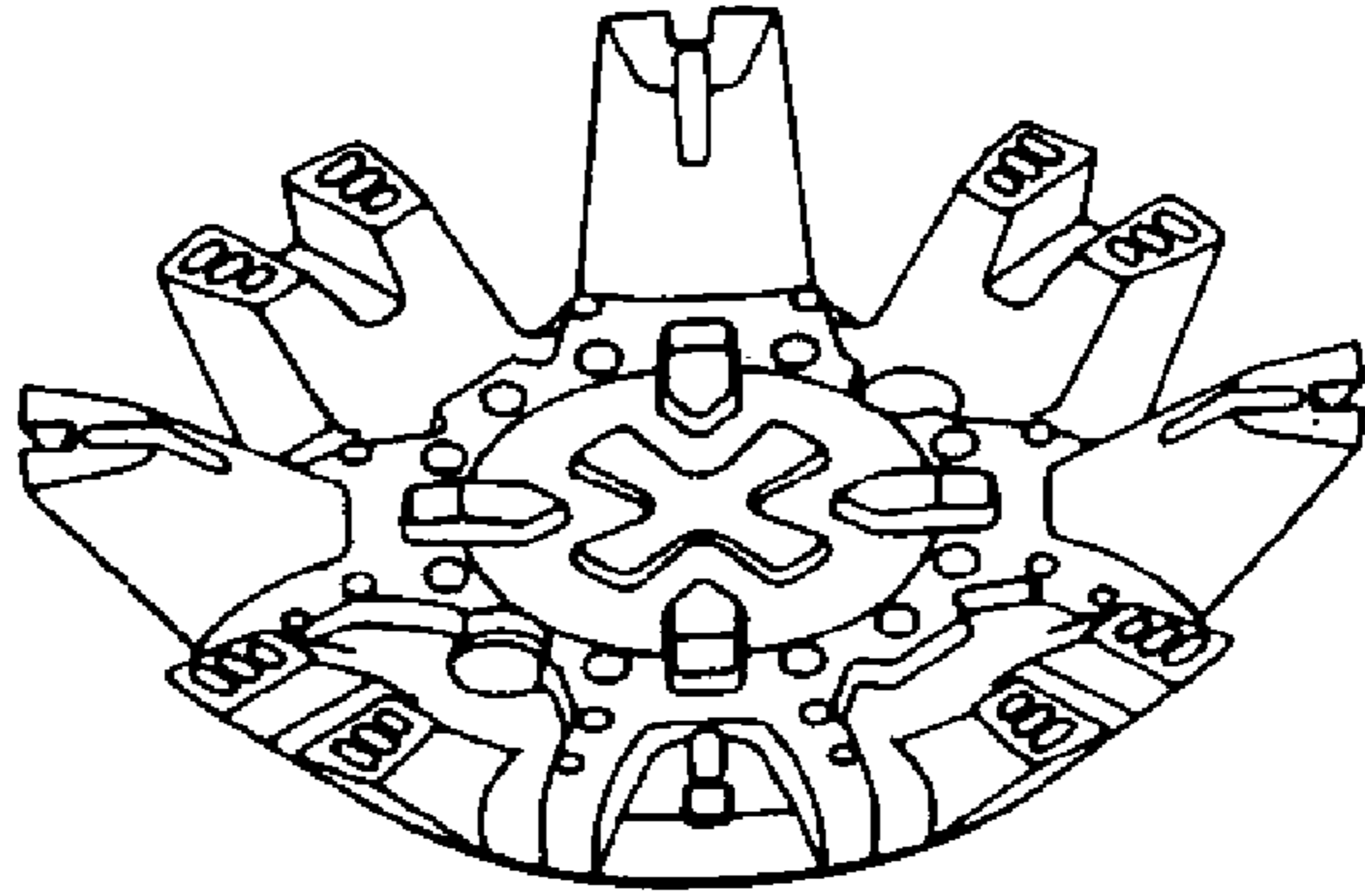
FIG. 8 is a sectional view taken along line A—A of FIG. 2; and,

FIG. 9 is a sectional view taken along line B—B of FIG. 2.

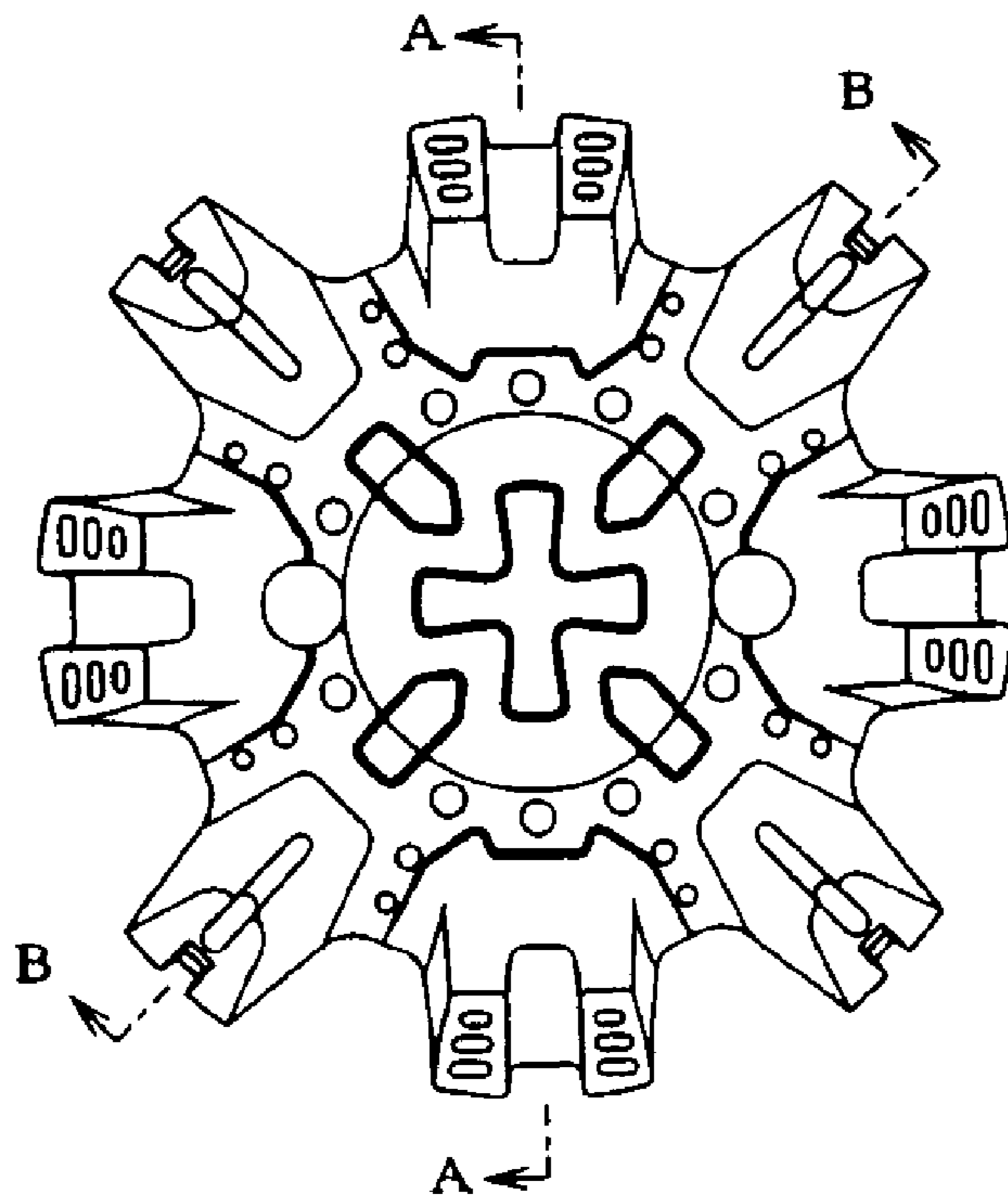
1 Claim, 3 Drawing Sheets



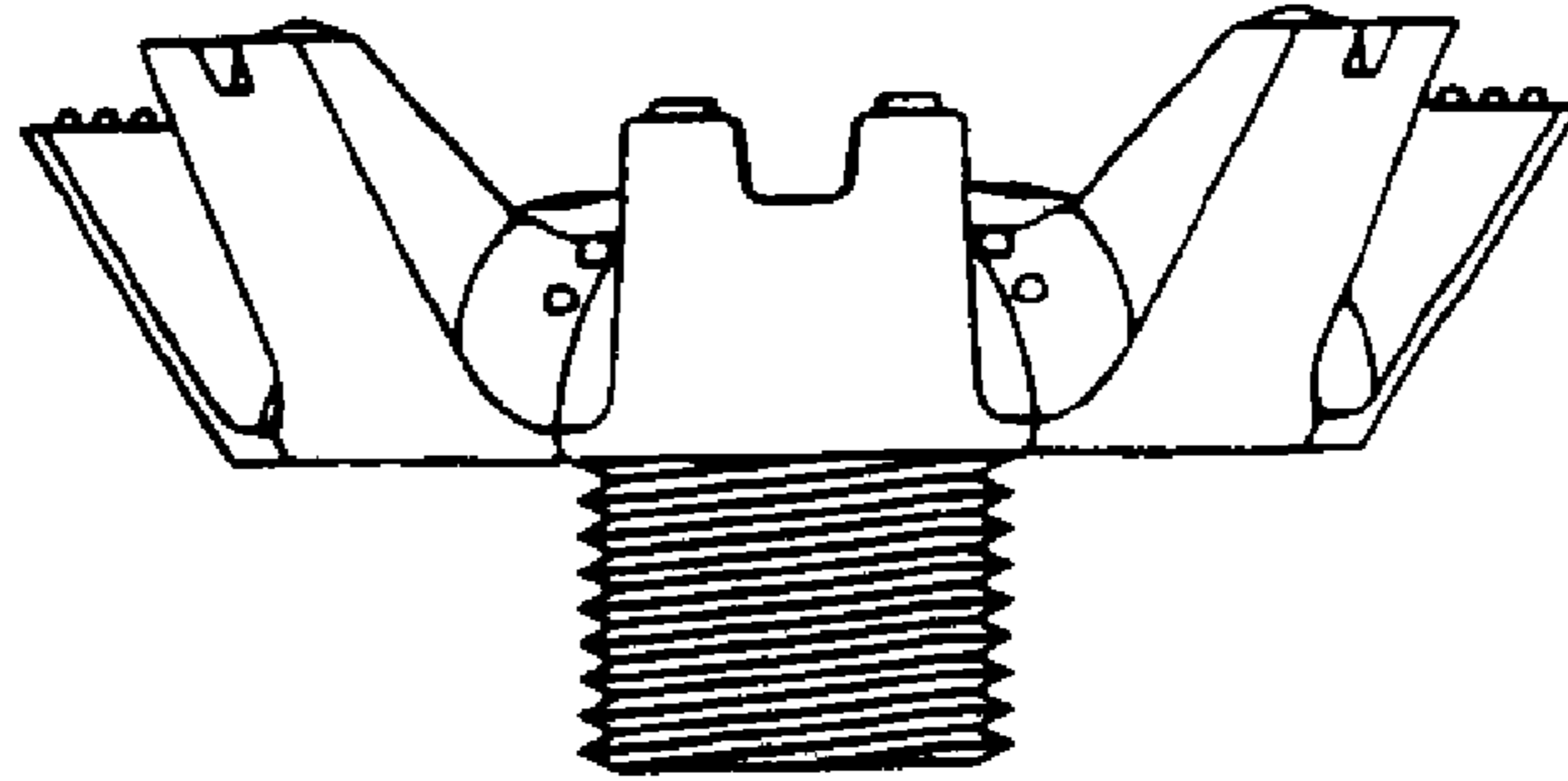
[FIG. 1]



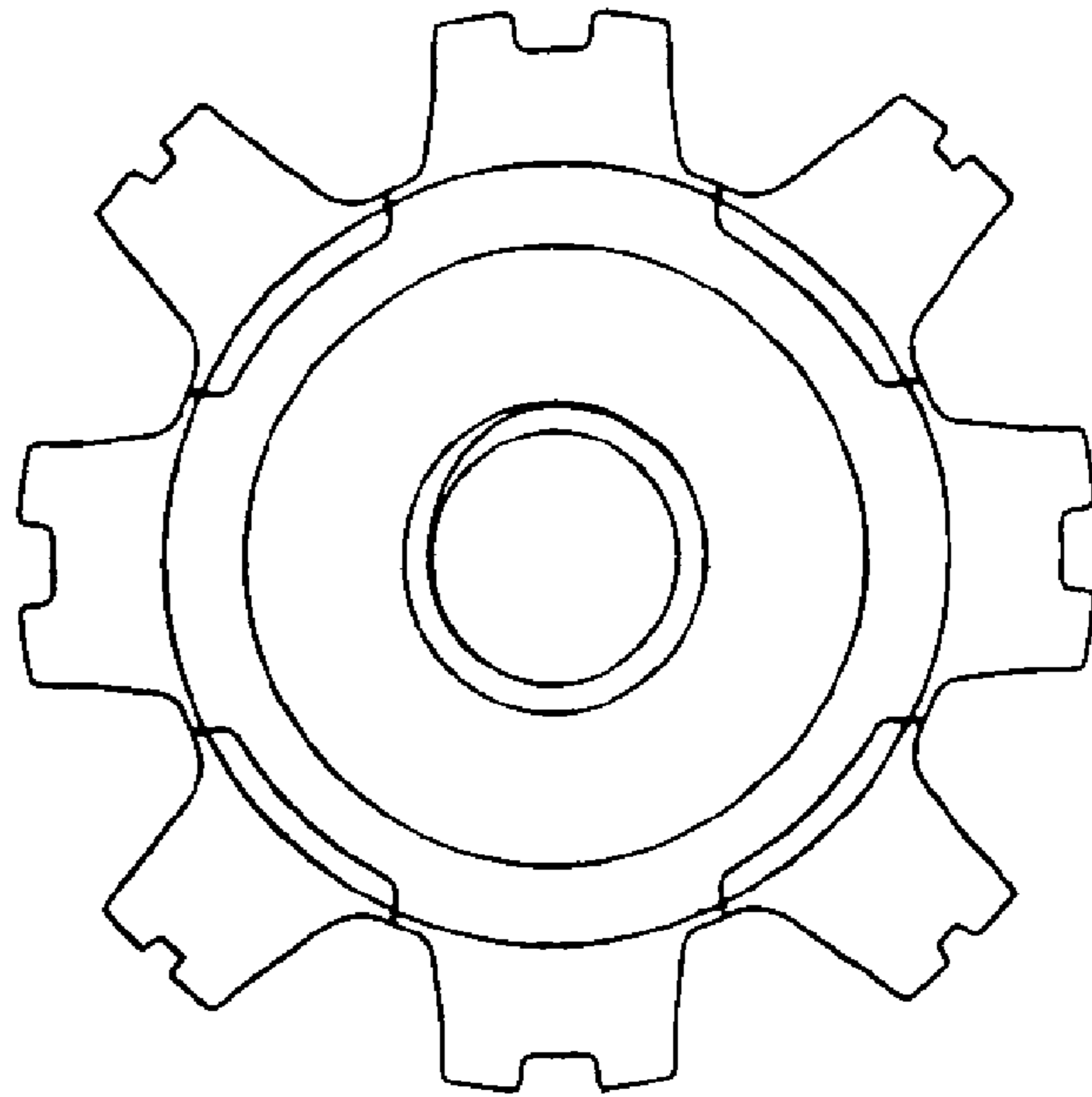
[FIG. 2]



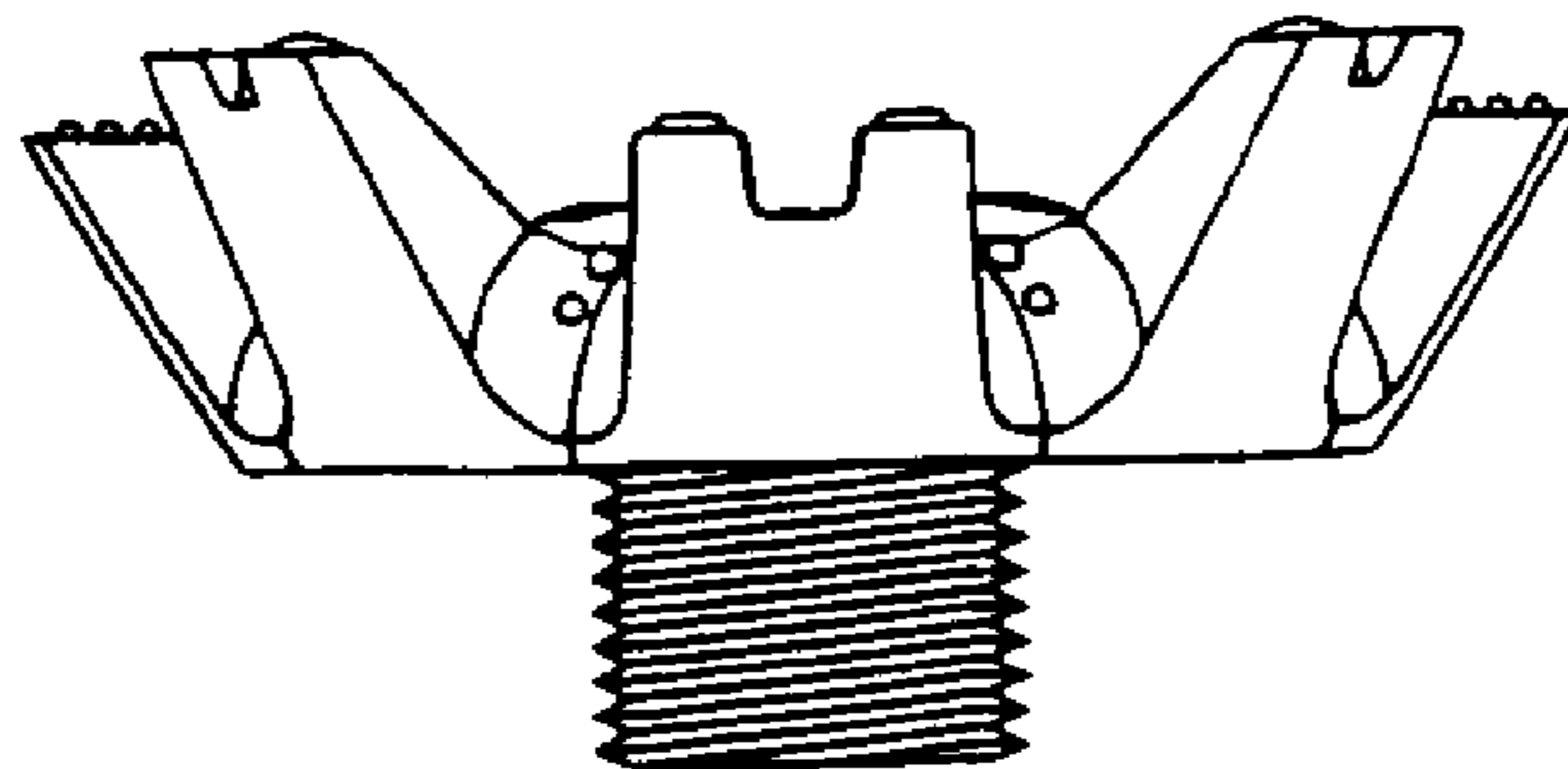
[FIG. 3]



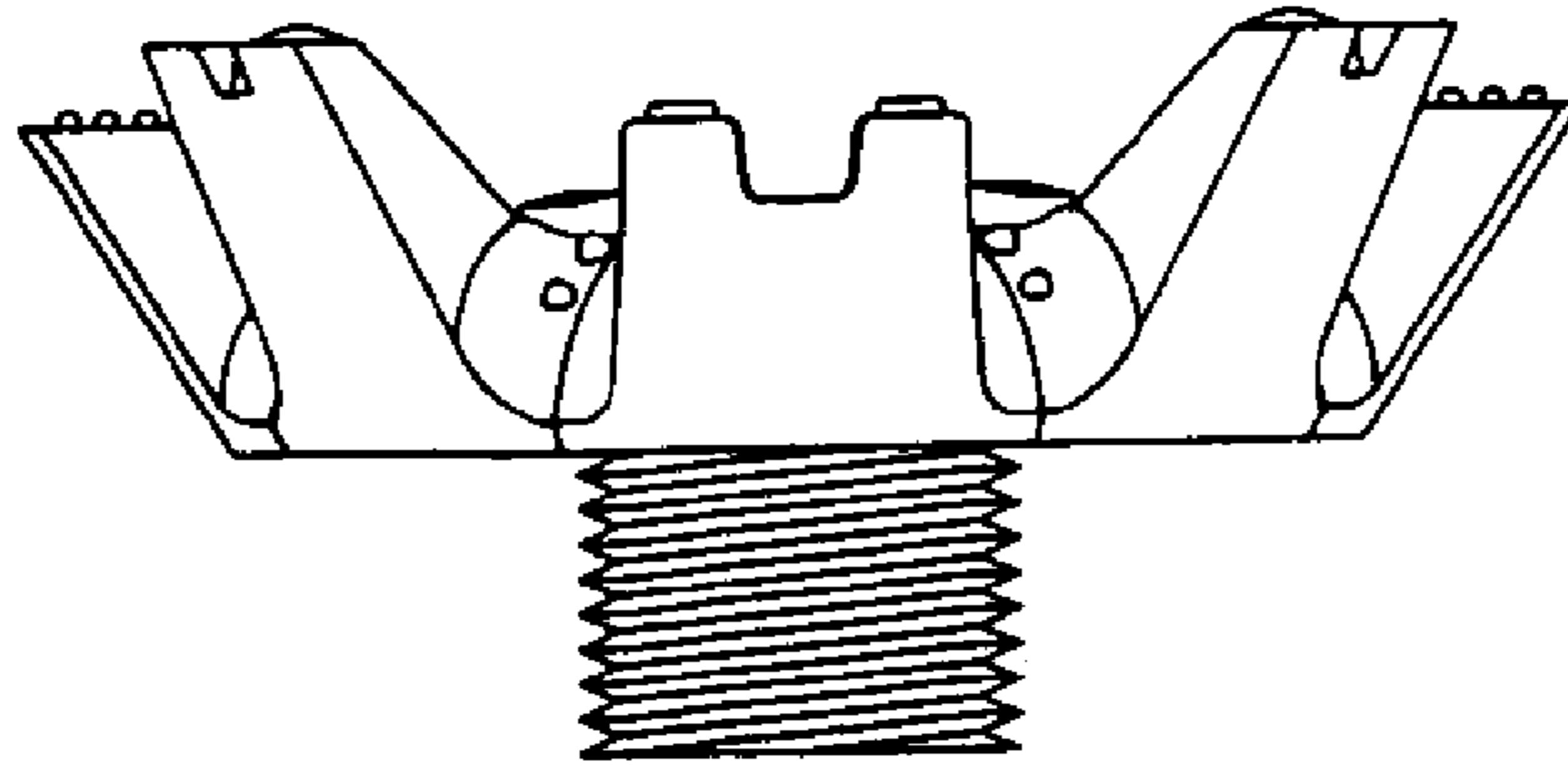
[FIG. 4]



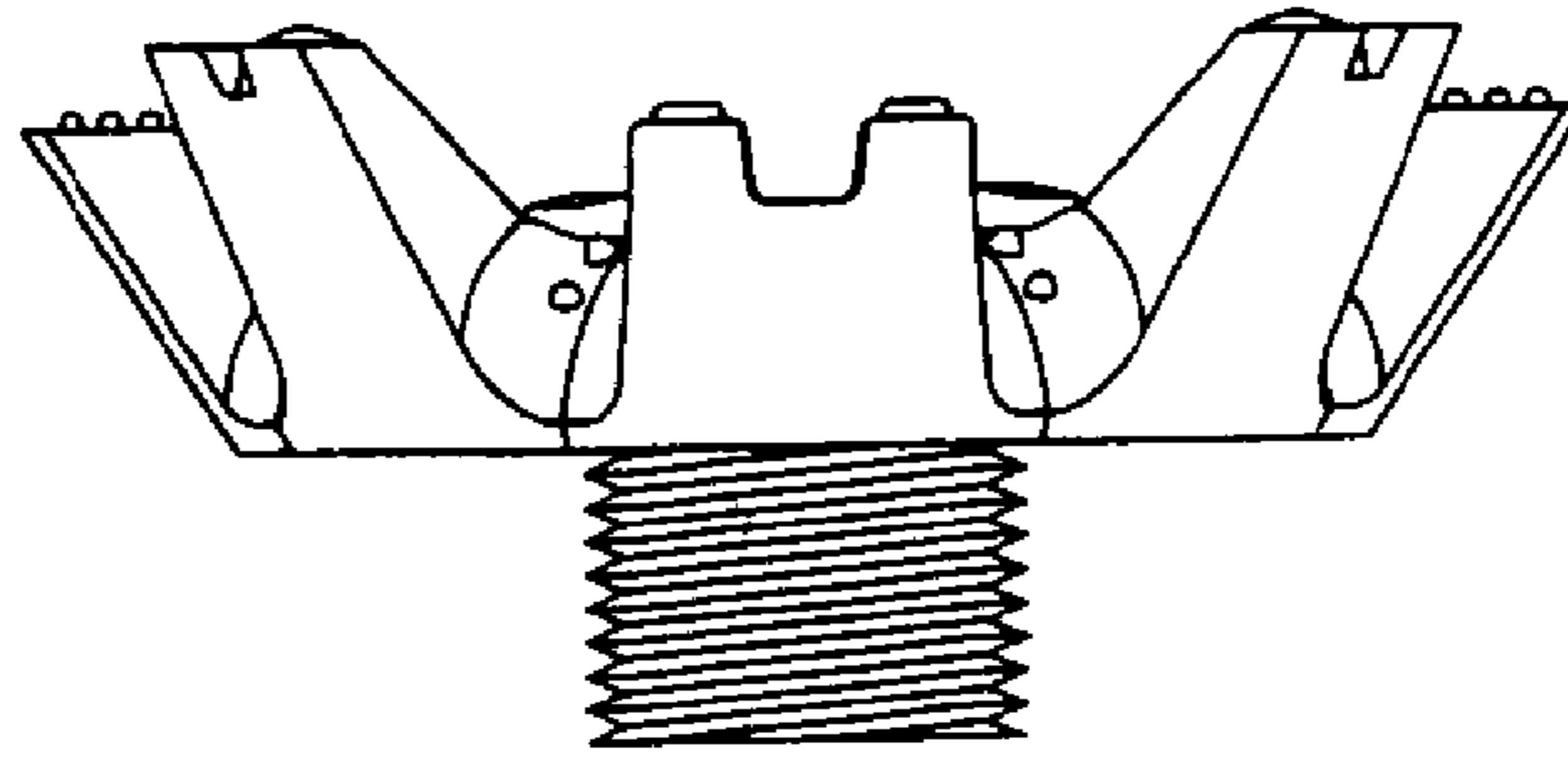
[FIG. 5]



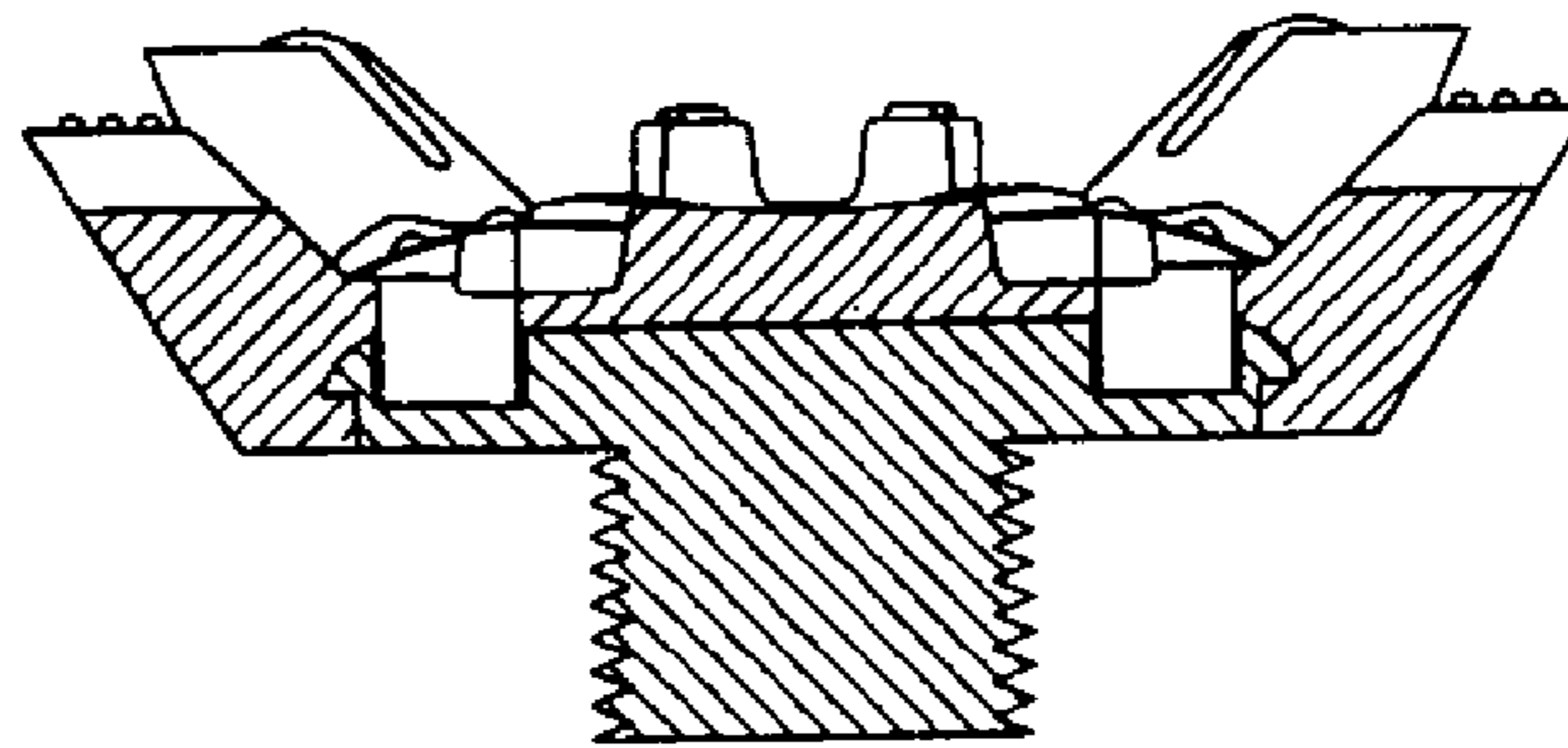
【FIG. 6】



【FIG. 7】



【FIG. 8】



【FIG. 9】

