



US00D569595S

(12) **United States Design Patent** (10) **Patent No.:** **US D569,595 S**
Le (45) **Date of Patent:** **** May 27, 2008**

(54) **FOOTWEAR OUTSOLE**

(75) Inventor: **Tuan Le**, Portland, OR (US)

(73) Assignee: **Deckers Outdoor Corporation**, Goleta, CA (US)

(**) Term: **14 Years**

(21) Appl. No.: **29/289,484**

(22) Filed: **Jul. 23, 2007**

(51) **LOC (8) Cl.** **02-04**

(52) **U.S. Cl.** **D2/960; D2/957**

(58) **Field of Classification Search** D2/902, D2/947, 951-956, 957-960; 36/3 B, 22 R, 36/24.5, 25 R, 28, 32 R, 34 R, 67 A, 59 C
See application file for complete search history.

(56) **References Cited**

U.S. PATENT DOCUMENTS

D262,581 S *	1/1982	Chevallereau	D2/908
D339,461 S *	9/1993	Kayano	D2/957
D410,966 S *	6/1999	Cretinon	D2/960
D420,497 S *	2/2000	Panella	D2/957
D424,286 S *	5/2000	Berend	D2/953
D462,160 S *	9/2002	Kung	D2/960
D470,998 S *	3/2003	Adreliunas et al.	D2/953
D475,183 S *	6/2003	McClaskie	D2/957
D476,470 S *	7/2003	Matis et al.	D2/960
D485,423 S *	1/2004	Truelsen	D2/953
D487,184 S *	3/2004	Issler	D2/953
D487,840 S *	3/2004	Hillyer	D2/960
D495,480 S *	9/2004	Laberge	D2/960
D501,708 S *	2/2005	Andrews-Kramer	D2/960
D502,308 S *	3/2005	Teague	D2/957
D504,204 S *	4/2005	Matis et al.	D2/955
D504,205 S *	4/2005	Andrews-Kramer	D2/960
D506,306 S *	6/2005	Teague	D2/960
D507,696 S *	7/2005	Robbins et al.	D2/960

D523,614 S *	6/2006	Mitchell	D2/960
D524,018 S *	7/2006	Deas	D2/960
D554,840 S *	11/2007	McClaskie	D2/960
D554,841 S *	11/2007	McClaskie	D2/960
2003/0084592 A1 *	5/2003	Ho	36/25 R

OTHER PUBLICATIONS

UGG Australia, Fall '98 Regional Ad Slicks, Outsoles, pp. 1 and 2.
UGG Australia, Fall/Winter 1999, Birch Boot, p. 10.
UGG Australia, Fall/Winter 1999, Fluff Momma, p. 14.
UGG Australia, Fall/Winter 1999, Clugg, p. 16.
UGG Australia, Adirondack Collection Outsole, p. 12.
UGG Australia, Winter 2002 Collection, Aspen Outsole, p. 21.
UGG Australia, Fall/Winter 2003, Cambridge Outsole.

* cited by examiner

Primary Examiner—Celia A. Murphy

(74) *Attorney, Agent, or Firm*—Greer, Burns & Crain, Ltd.

(57) **CLAIM**

The ornamental design for a footwear outsole, as shown and described.

DESCRIPTION

FIG. 1 is a bottom perspective view of a footwear outsole showing my new design;

FIG. 2 is a right side elevational view thereof;

FIG. 3 is a left side elevational view thereof;

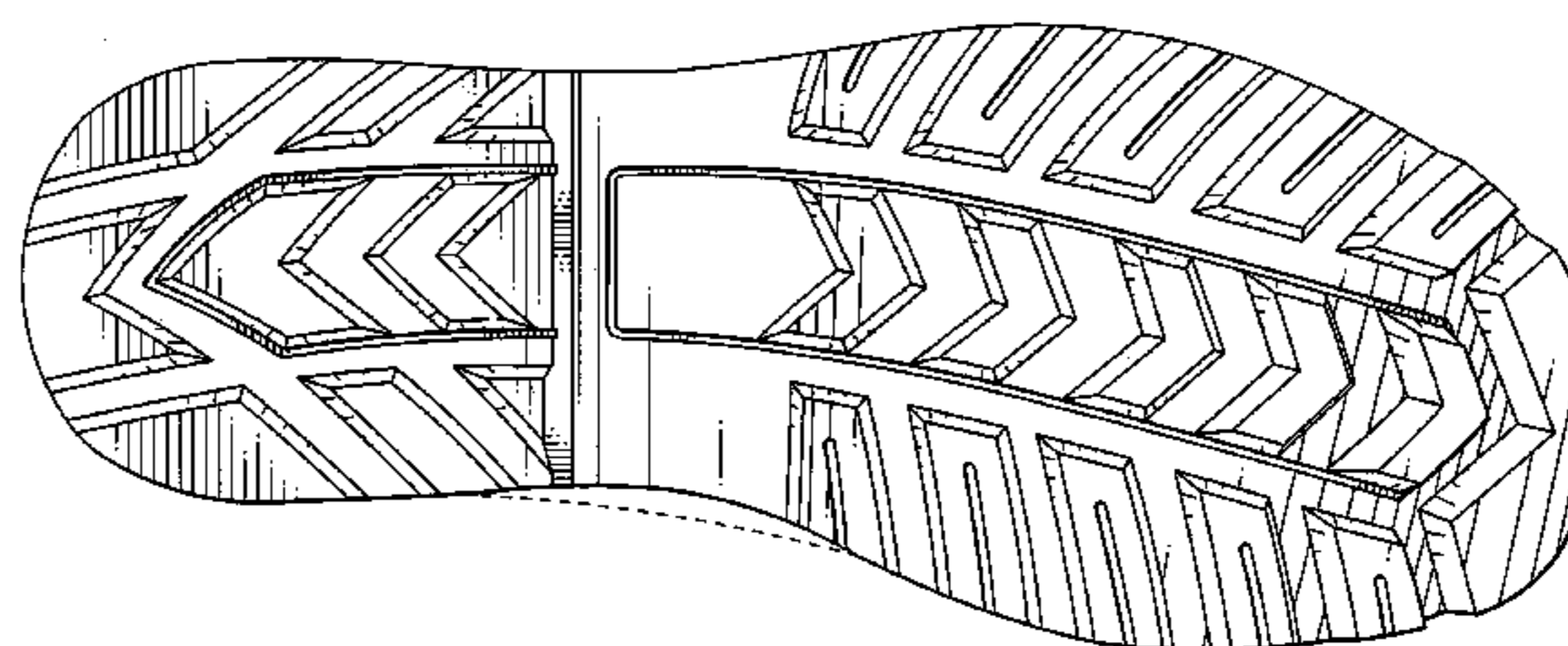
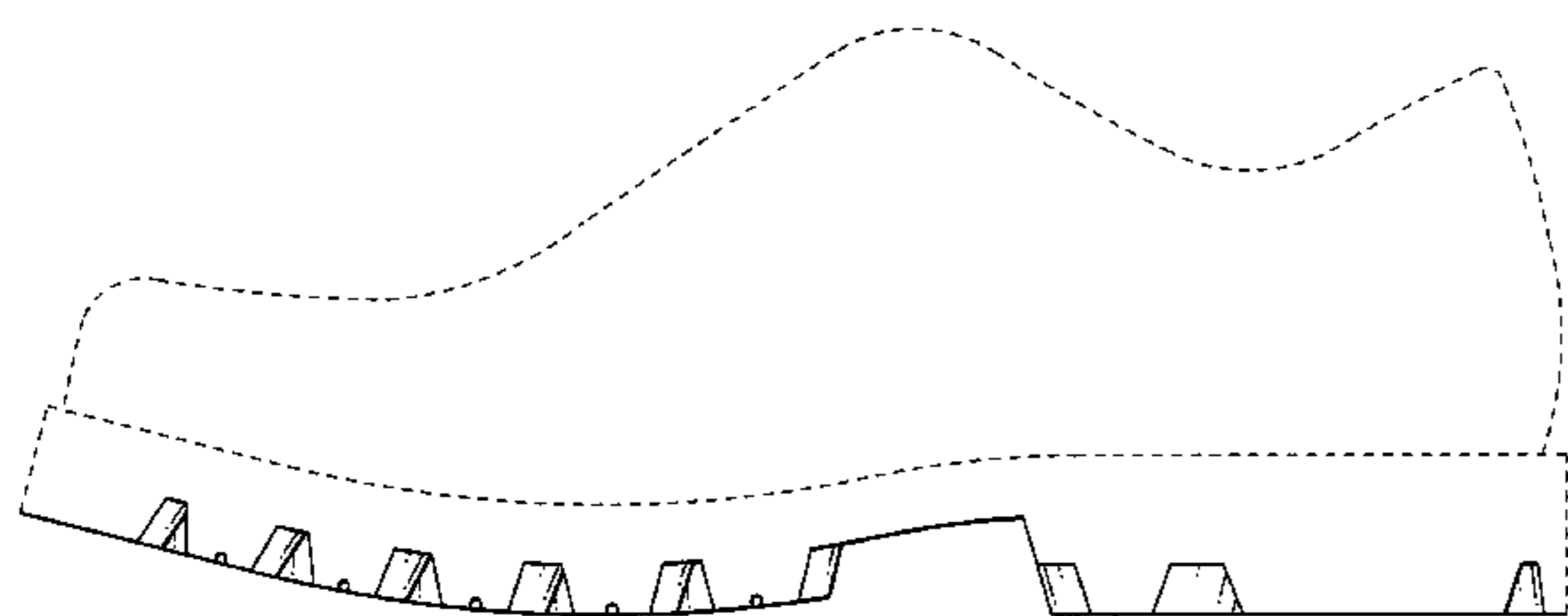
FIG. 4 is a bottom plan view thereof;

FIG. 5 is a front elevational view thereof; and,

FIG. 6 is a rear elevational view thereof.

The broken lines immediately adjacent to the solid lines in FIGS. 1, 2, 3, 5, & 6 represent the unclaimed boundary of the design while the broken lines showing the remainder of the shoe throughout the views illustrate the portion of the design that forms no part of the claim.

1 Claim, 5 Drawing Sheets



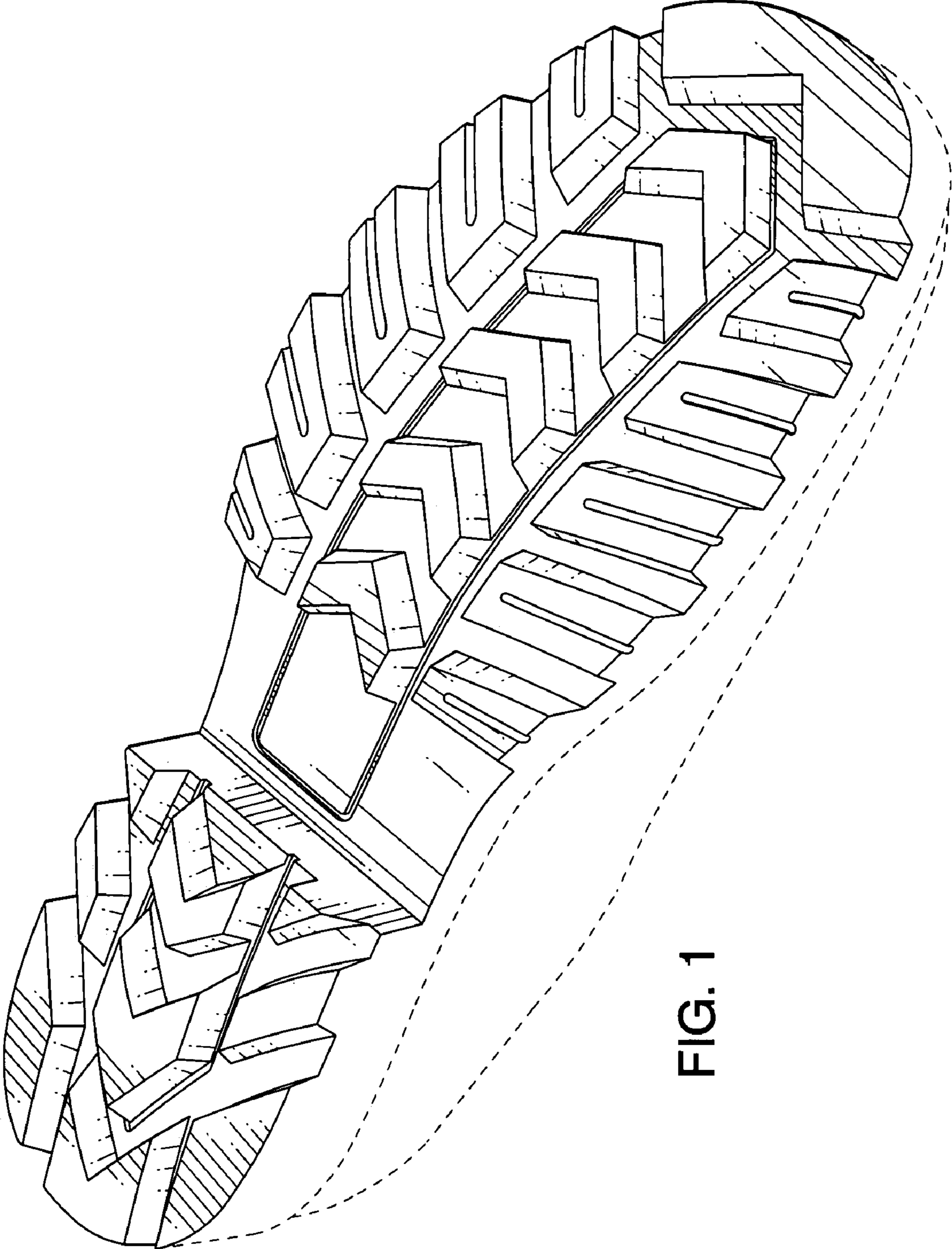


FIG. 1

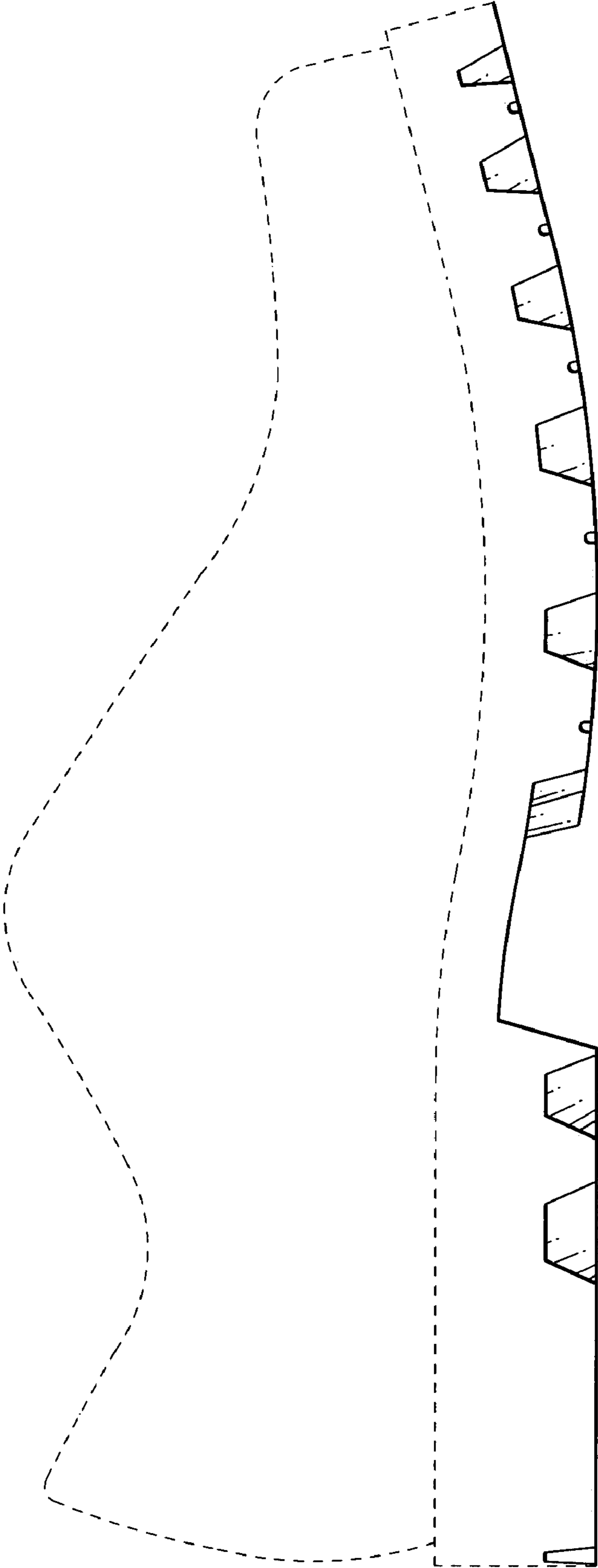


FIG. 2

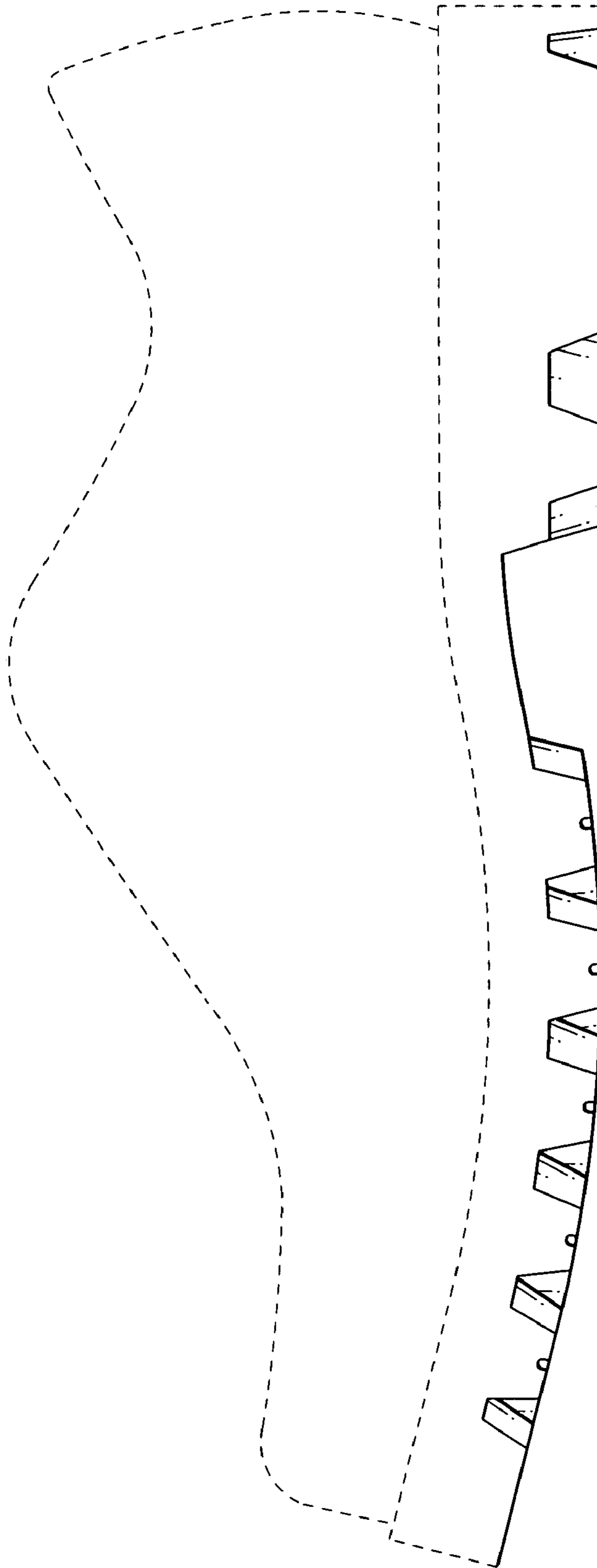


FIG. 3

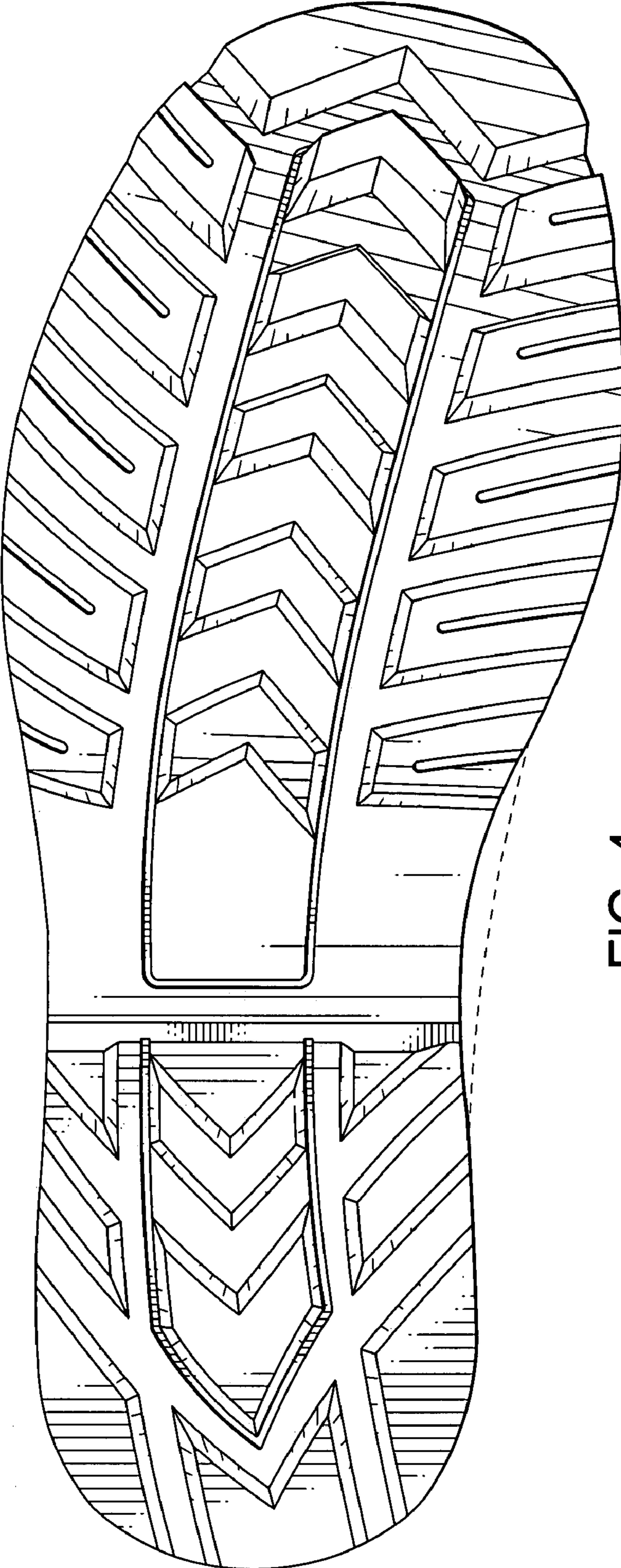


FIG. 4

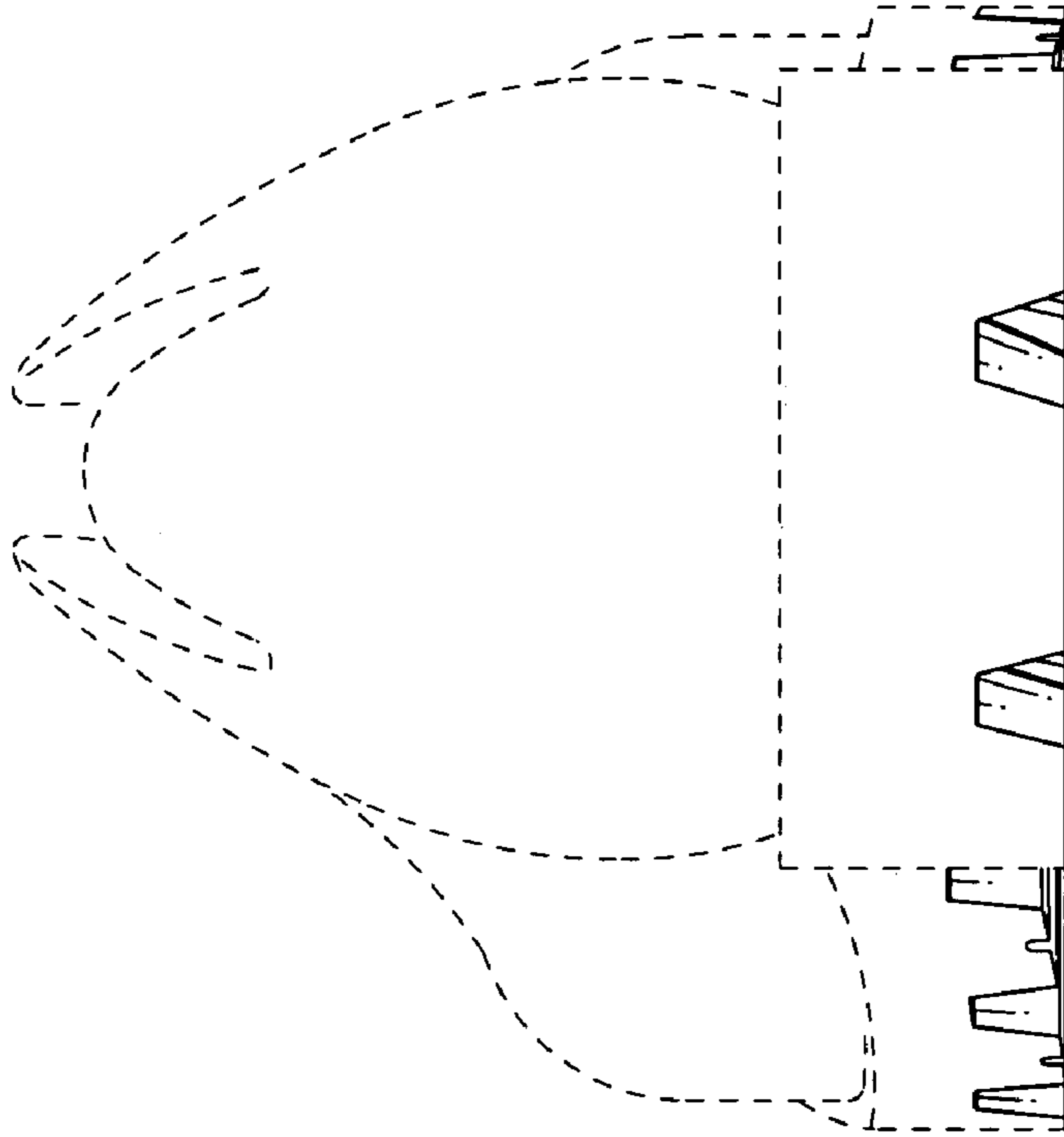


FIG. 6

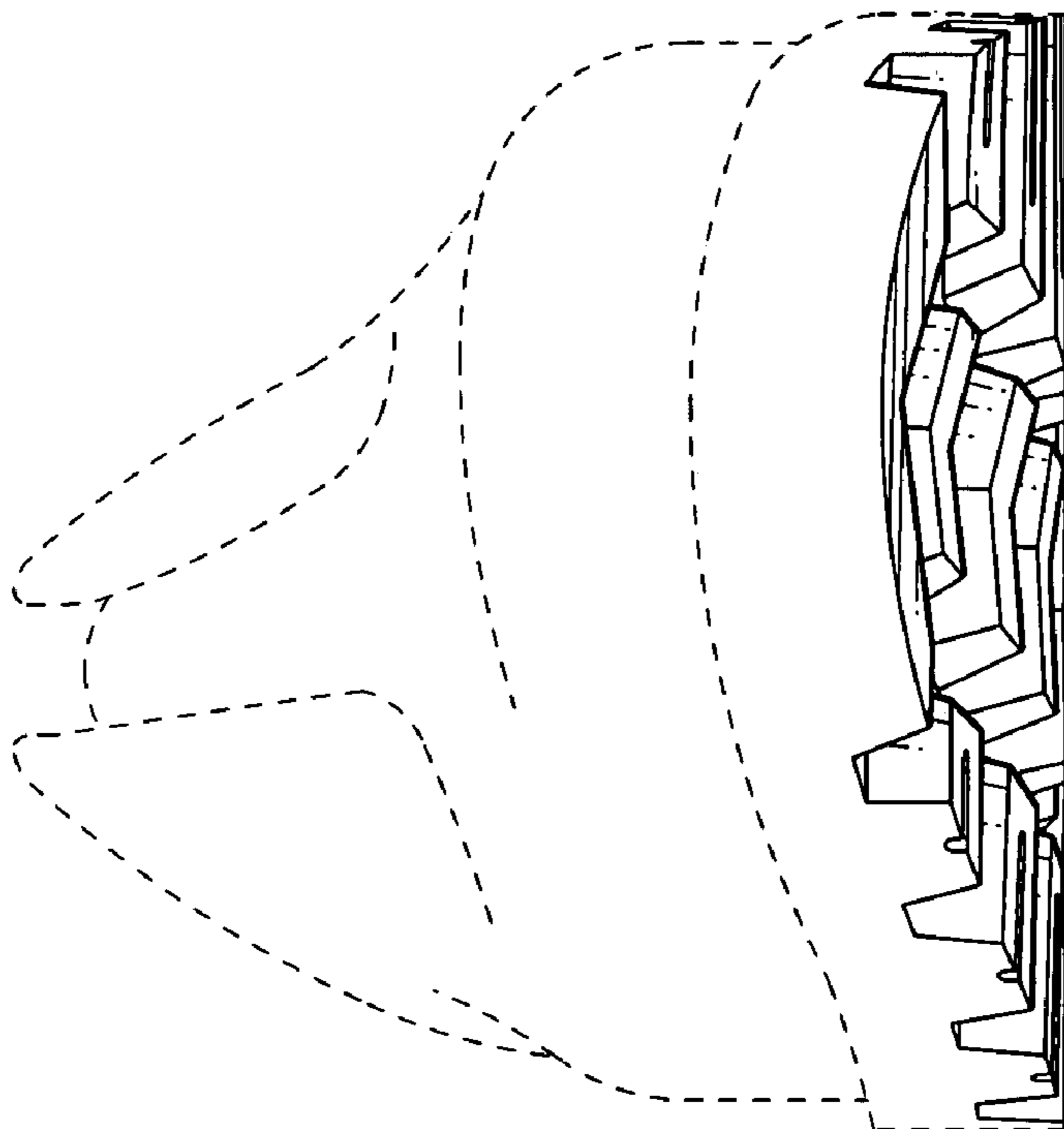


FIG. 5