



US00D569583S

(12) **United States Design Patent**
Robinson

(10) **Patent No.:** **US D569,583 S**

(45) **Date of Patent:** **** May 27, 2008**

(54) **CROWN CAP**

(74) *Attorney, Agent, or Firm*—Steven J. Rosen

(76) **Inventor:** **Rhasaiah Jerome Robinson**, 103 Aljoy Ct. Apt. 5, Cincinnati, OH (US) 45215

(57) **CLAIM**

The ornamental design for a crown cap, as shown and described.

(**) **Term:** **14 Years**

(21) **Appl. No.:** **29/297,373**

(22) **Filed:** **Nov. 9, 2007**

DESCRIPTION

Related U.S. Application Data

(62) Division of application No. 29/279,028, filed on Apr. 18, 2007, now Pat. No. Des. 560,051.

(51) **LOC (8) Cl.** **02-03**

(52) **U.S. Cl.** **D2/882**

(58) **Field of Classification Search** D2/865,
D2/866, 869, 871, 872, 873, 874, 875, 876,
D2/877, 879, 881, 882, 884, 885, 886, 891,
D2/892, 893; 2/10, 171, 171.1, 171.4, 171.6,
2/171.8, 181.4, 183, 184, 175.1, 175.2, 175.3,
2/175.9, 195.1, 195.2, 200.3, 209.11, 209.12,
2/209.13, 209.3, 209.5, 209, 410, 184.5

See application file for complete search history.

(56) **References Cited**

U.S. PATENT DOCUMENTS

29,724 A 8/1860 Smith
191,061 A 5/1877 Kuhlman
296,557 A 4/1884 Haegen

(Continued)

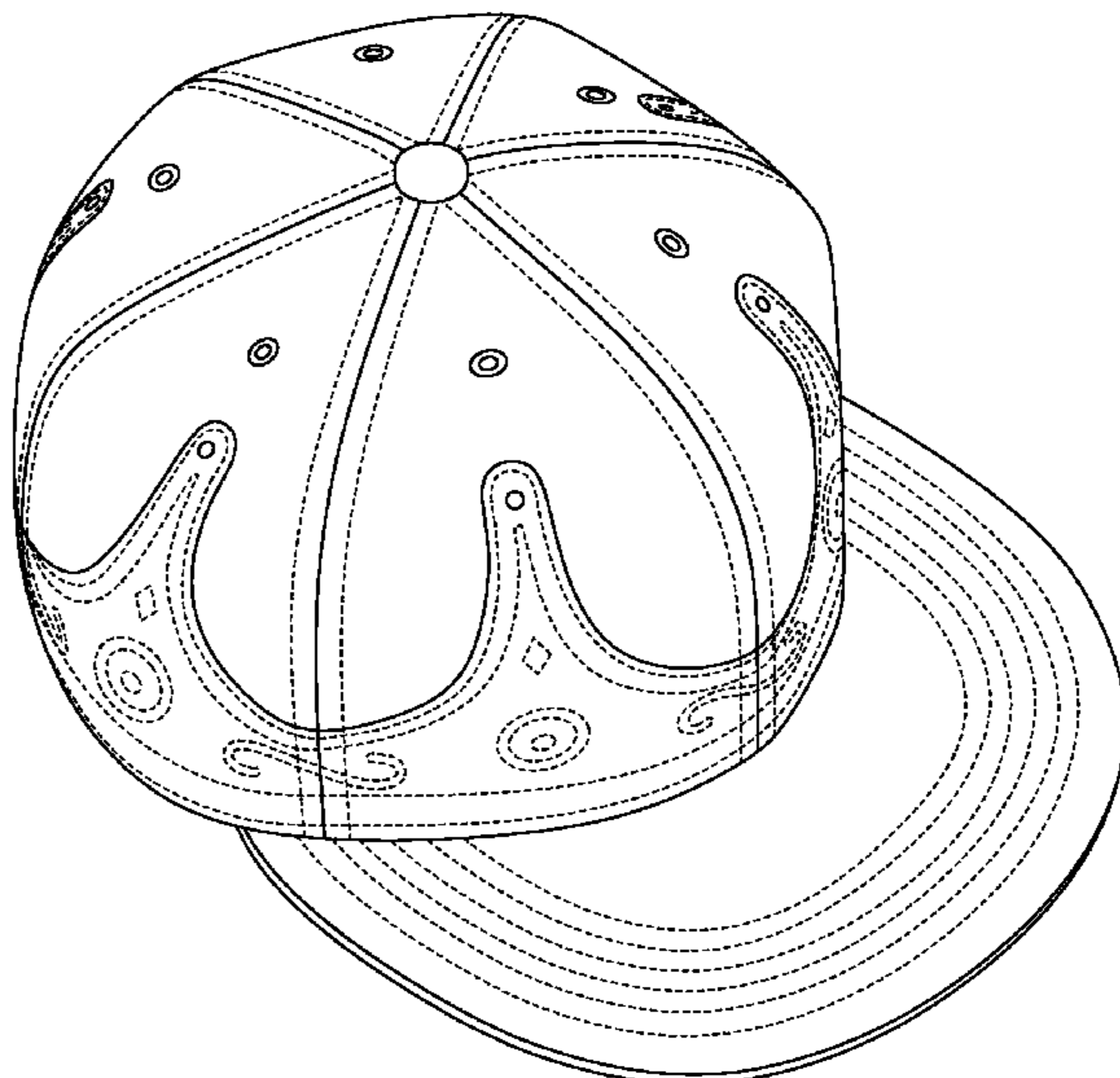
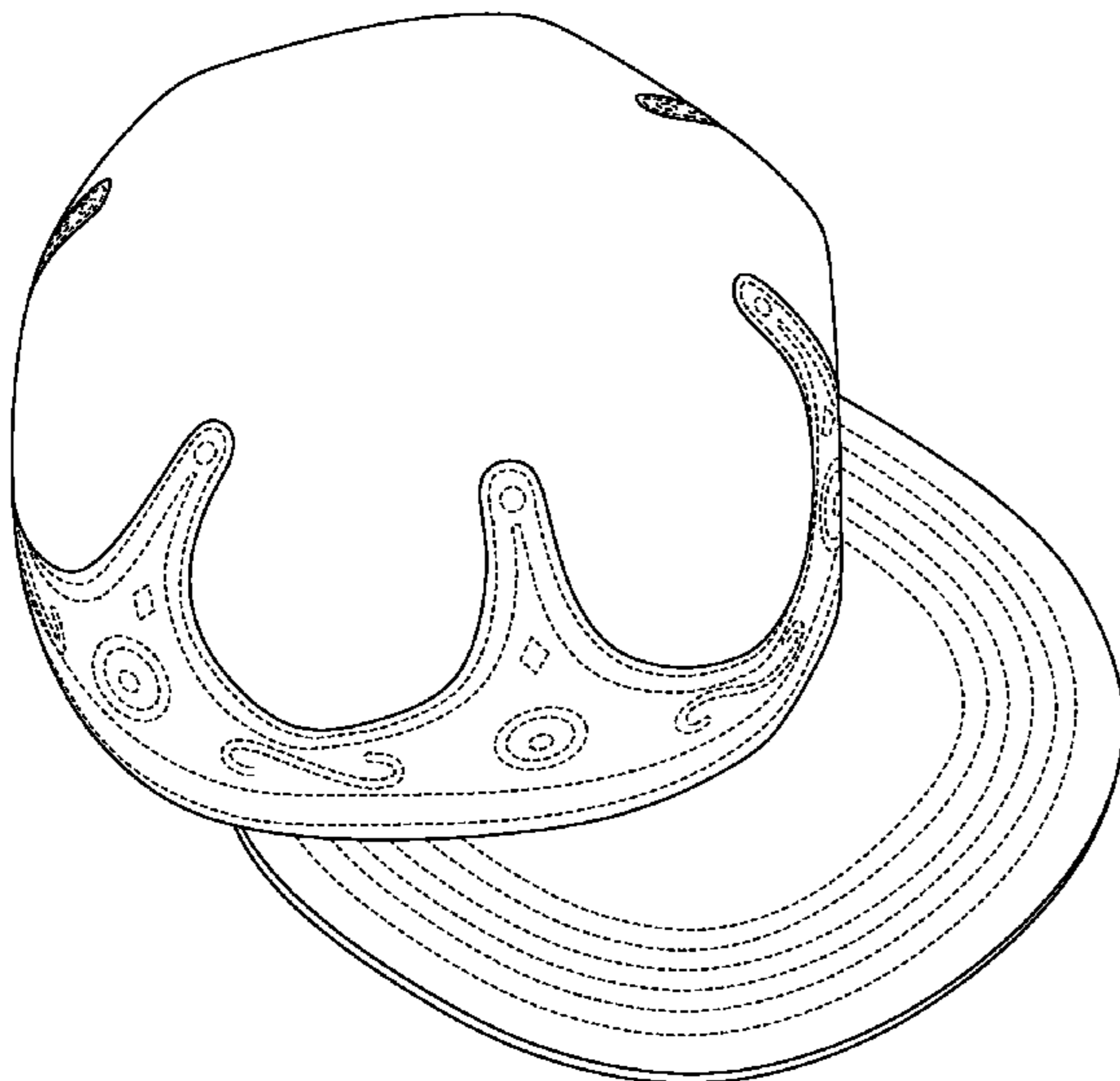
OTHER PUBLICATIONS

New Birthday Boy Hat Crown, Babys 1st, Store4More, <http://cgi.ebay.com>, 4 pages.

(Continued)

Primary Examiner—Elizabeth A. Albert
Assistant Examiner—Karen E Eldridge Powers

1 Claim, 8 Drawing Sheets



US D569,583 S

Page 2

U.S. PATENT DOCUMENTS

D25,987 S 9/1896 Plumley
D40,028 S 6/1909 Volat
D49,618 S 9/1916 O'Leary
D49,678 S 9/1916 Spotswood
1,198,170 A 9/1916 Vokes
D66,331 S 12/1924 Pegg
D67,305 S * 5/1925 Rawak D2/886
D67,308 S * 5/1925 Rawak D2/886
D70,298 S * 6/1926 Skaruda D28/41
1,624,727 A 4/1927 Goldberg
1,651,929 A * 12/1927 Murnan 2/195.2
1,704,576 A 3/1929 Pellegrino
1,782,206 A 11/1930 Kornsweet
1,808,681 A 6/1931 Rayburn
D93,898 S 11/1934 Uriwal
1,997,708 A 4/1935 Alfons
D96,420 S 7/1935 Shore
2,121,296 A 6/1938 Jones
D112,895 S * 1/1939 Fortune D2/886
D145,560 S 9/1946 Bonn
2,483,101 A 9/1949 Nelms
D156,442 S 12/1949 Levine
2,632,173 A 3/1953 Lyon
2,682,668 A 7/1954 Hoefflich
D187,519 S 3/1960 Lasting
D189,921 S 3/1961 Hyman
D232,984 S 10/1974 Hurwitz
D289,340 S 4/1987 Scheurer et al.
4,719,651 A 1/1988 Tereshinski
4,739,991 A 4/1988 Flinn, Jr.

D340,570 S 10/1993 Gray
5,577,520 A 11/1996 Sluder
D384,793 S 10/1997 Brown
D385,389 S 10/1997 Bell
D386,889 S 12/1997 Bell
D400,692 S * 11/1998 Bell D2/882
D404,892 S 2/1999 O'Brien
D406,440 S 3/1999 Wulle
D425,688 S 5/2000 Richlin
D429,404 S 8/2000 DeChambeau
D441,810 S 5/2001 Pate
6,243,876 B1 6/2001 Provenzano et al.
D444,618 S 7/2001 Wilson
D458,737 S 6/2002 Fuerst
D465,641 S 11/2002 Provenzano et al.
D488,293 S 4/2004 Norway, Jr.
6,845,520 B2 1/2005 Kim
7,020,900 B2 4/2006 Ngan
D553,829 S * 10/2007 Cruikshank D2/882
2003/0070207 A1 4/2003 Lee
2004/0244093 A1 12/2004 Kim

OTHER PUBLICATIONS

Birthday Crown, Baby Ultimate Home, <http://www.babyultimate.com>, 1 page.
Royal Birthday Crown, Celebrate Express, <http://www.celebrateexpress.com>, 1 page.
Baby Clothes and Costumes, Baby Clothes, Costumes, Boutique Infant & Toddler Clothing, Clothes For Kids, <http://www.babyultimate.com>, 1 page.

* cited by examiner

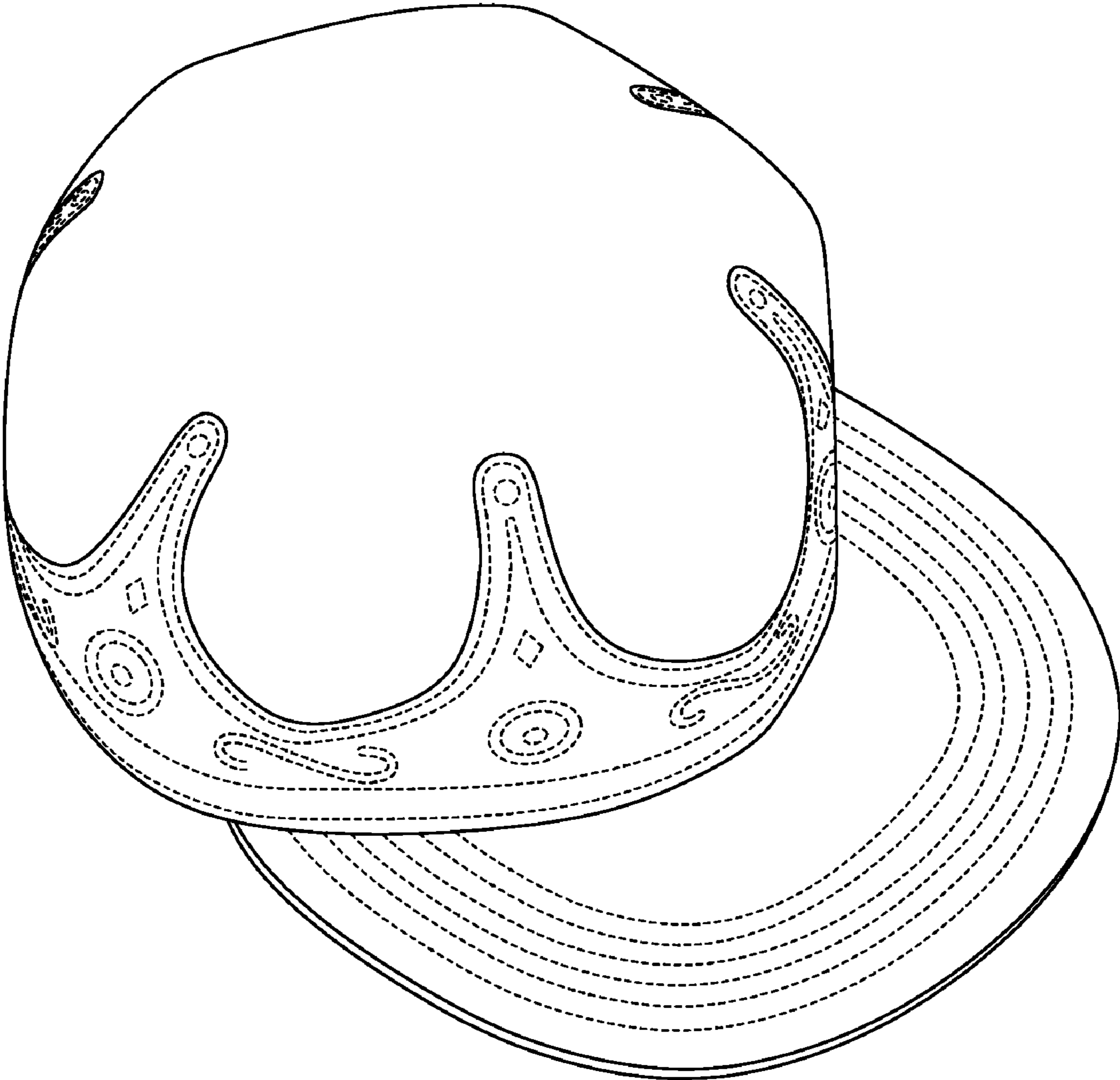


FIG. 1

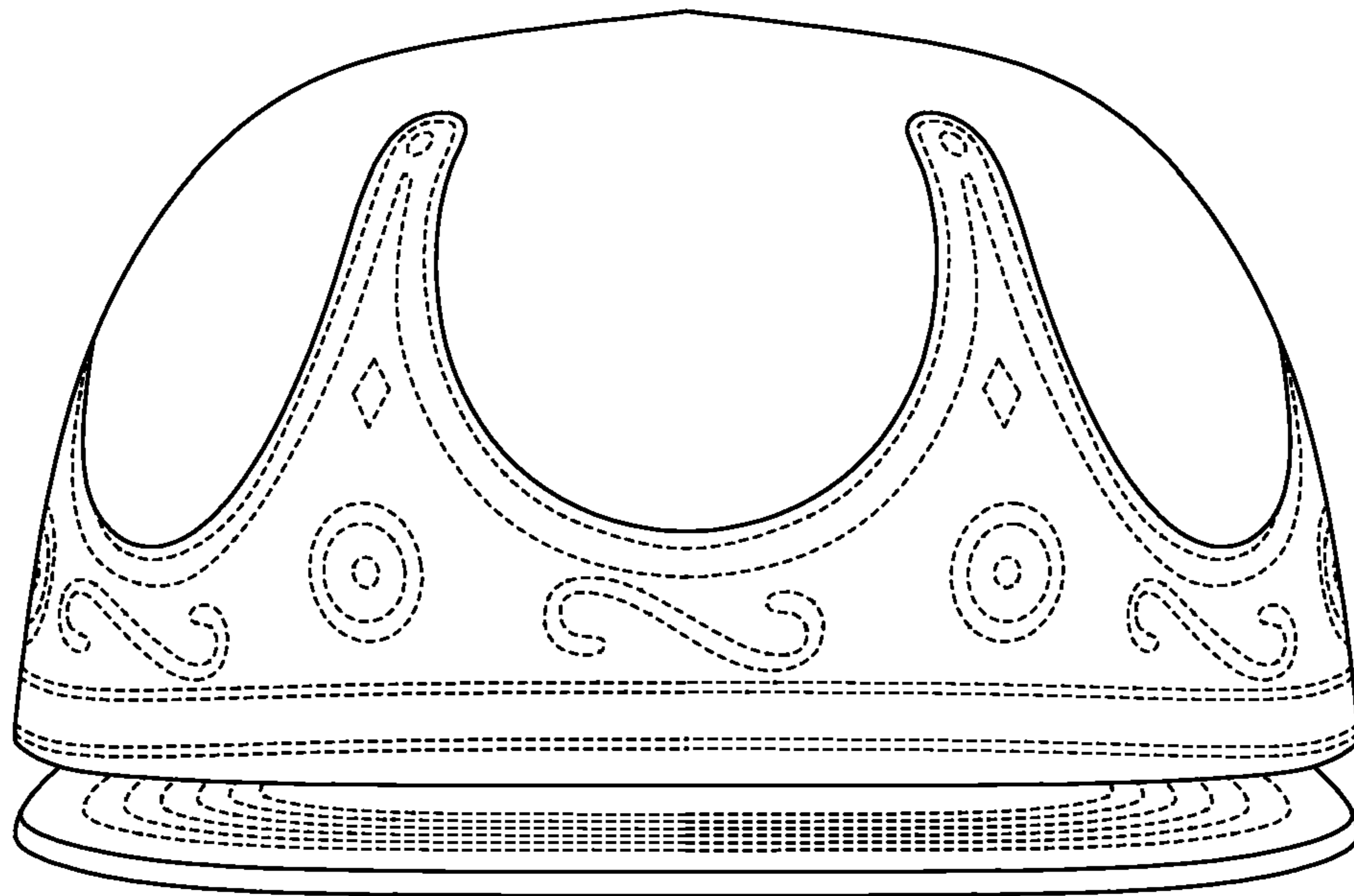


FIG. 2

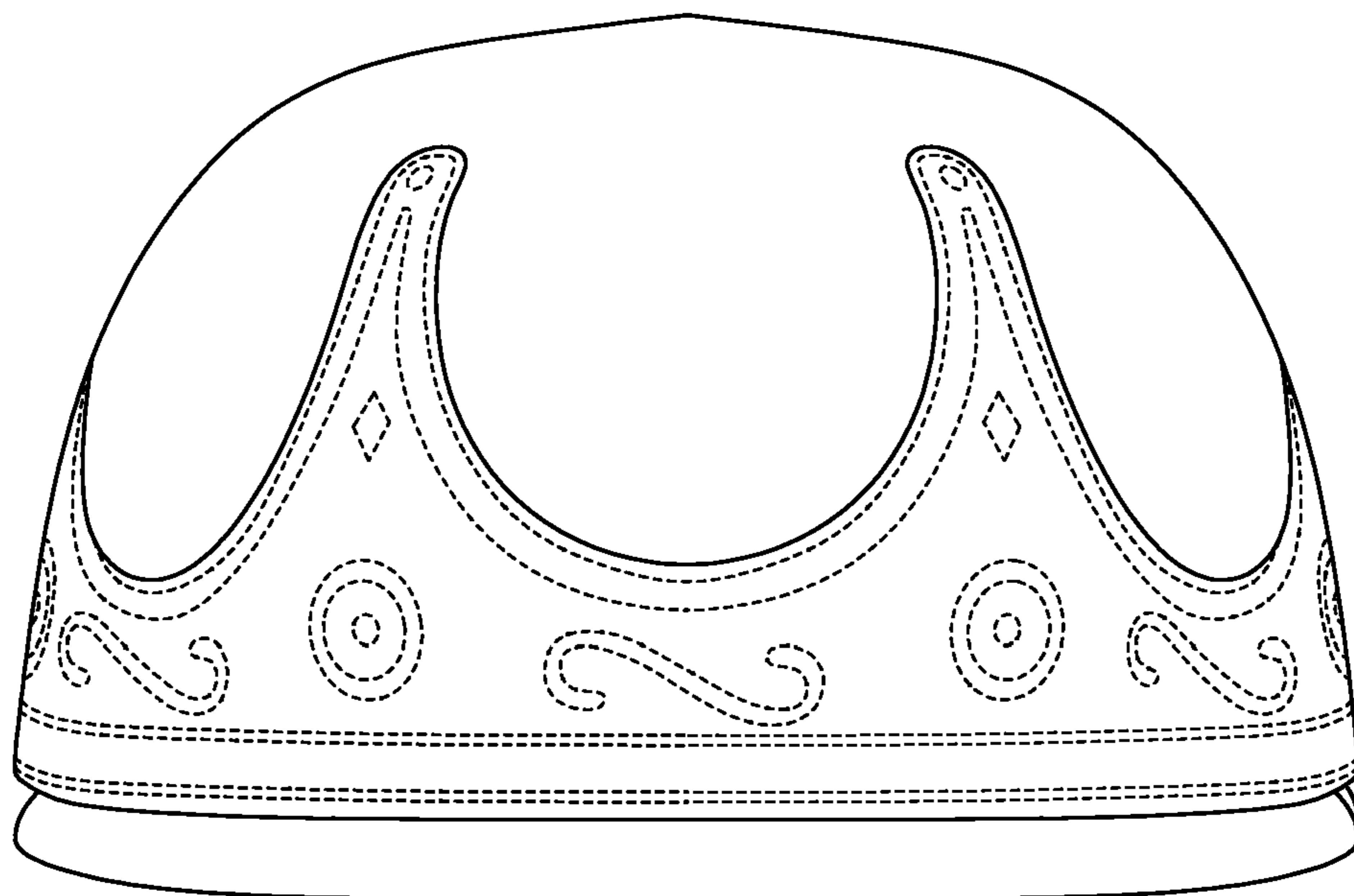


FIG. 3

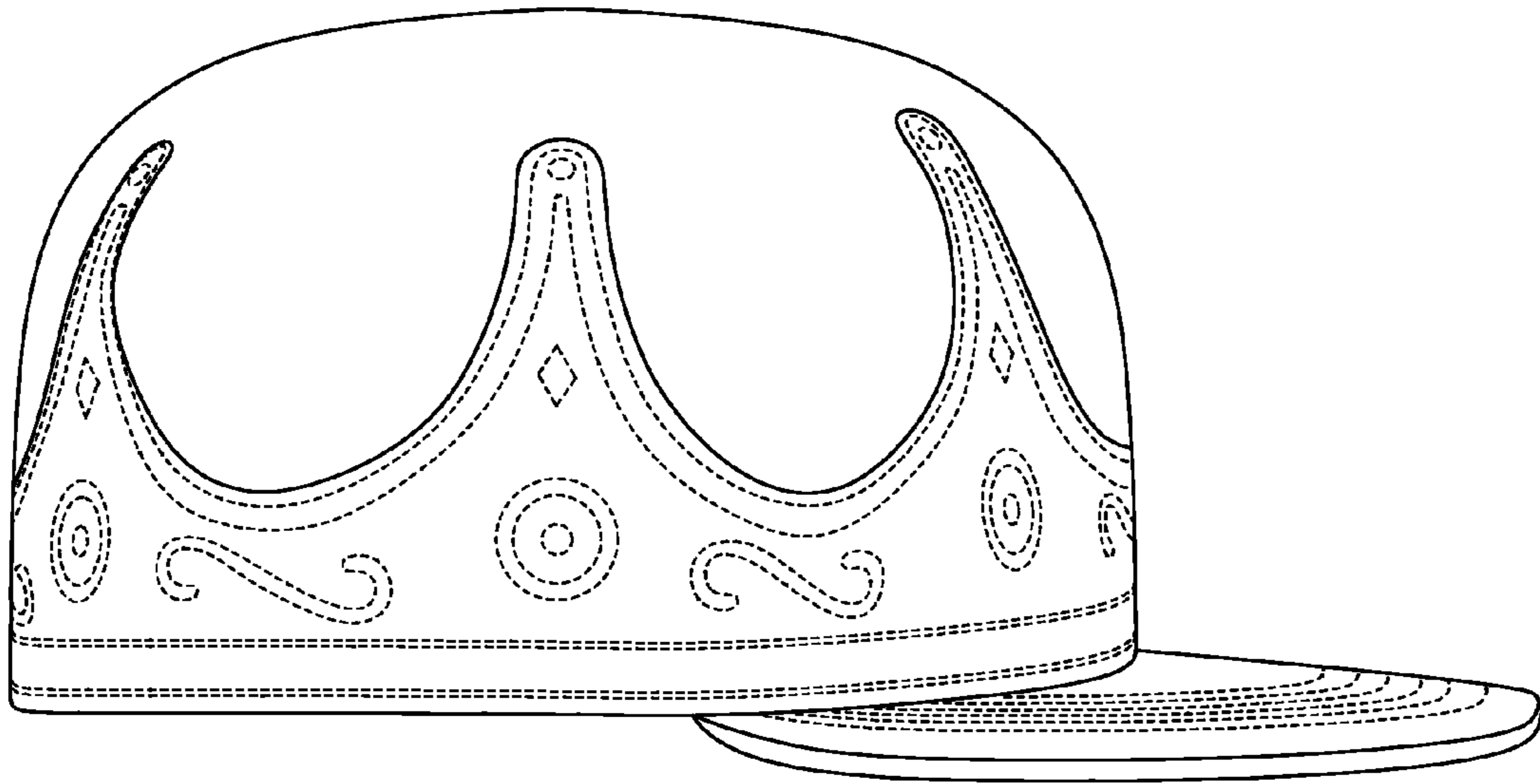


FIG. 4

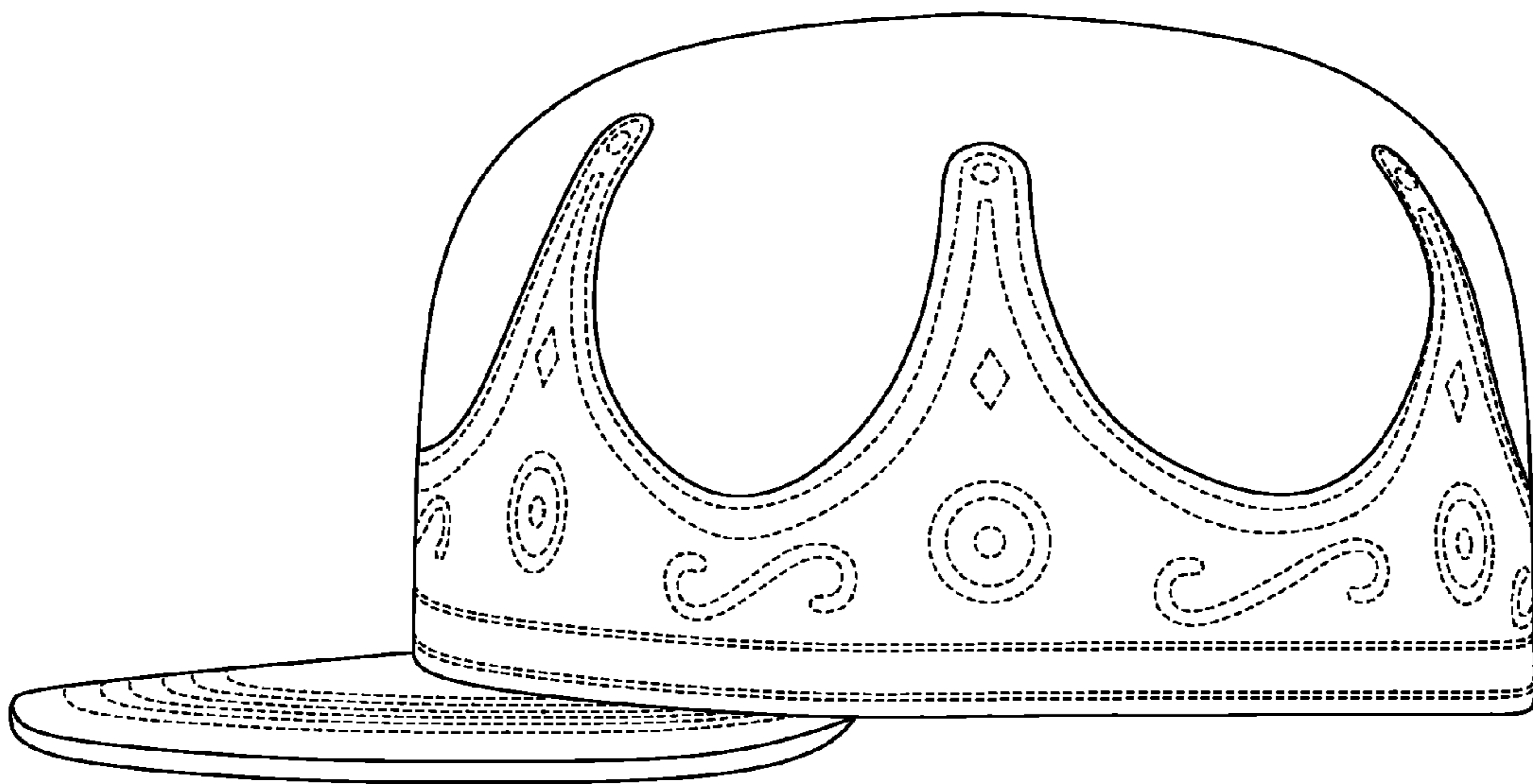


FIG. 5

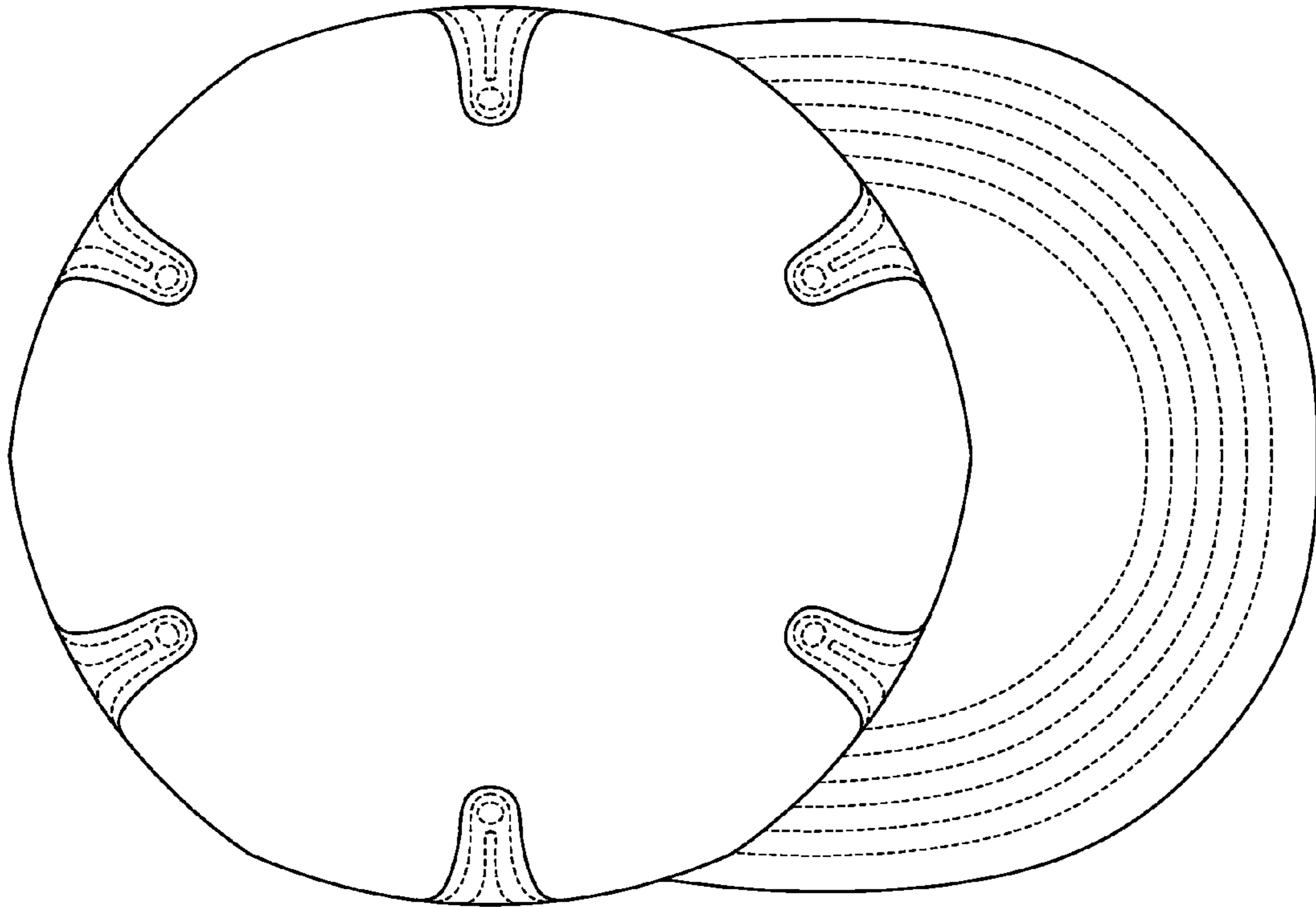


FIG. 6

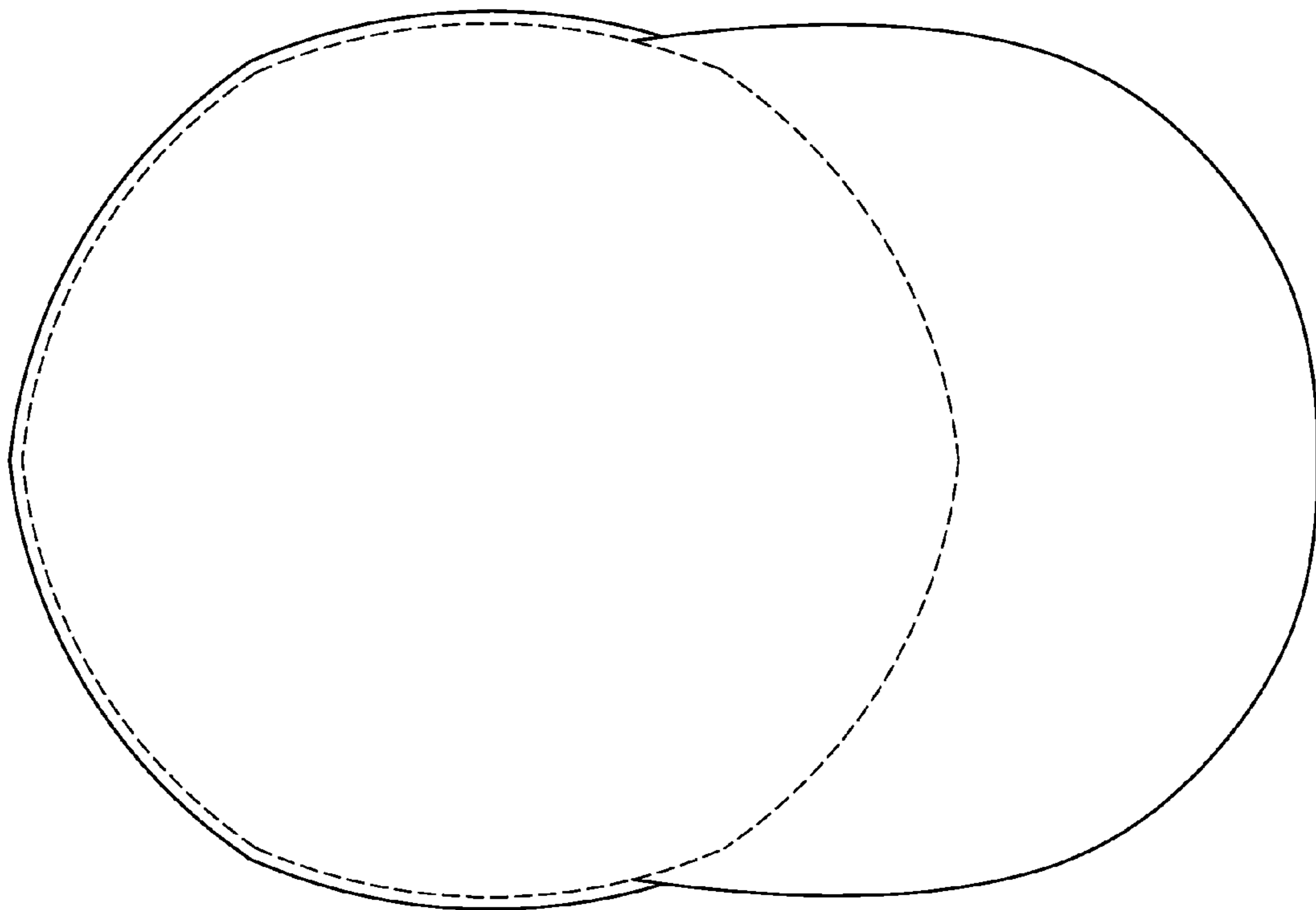


FIG. 7

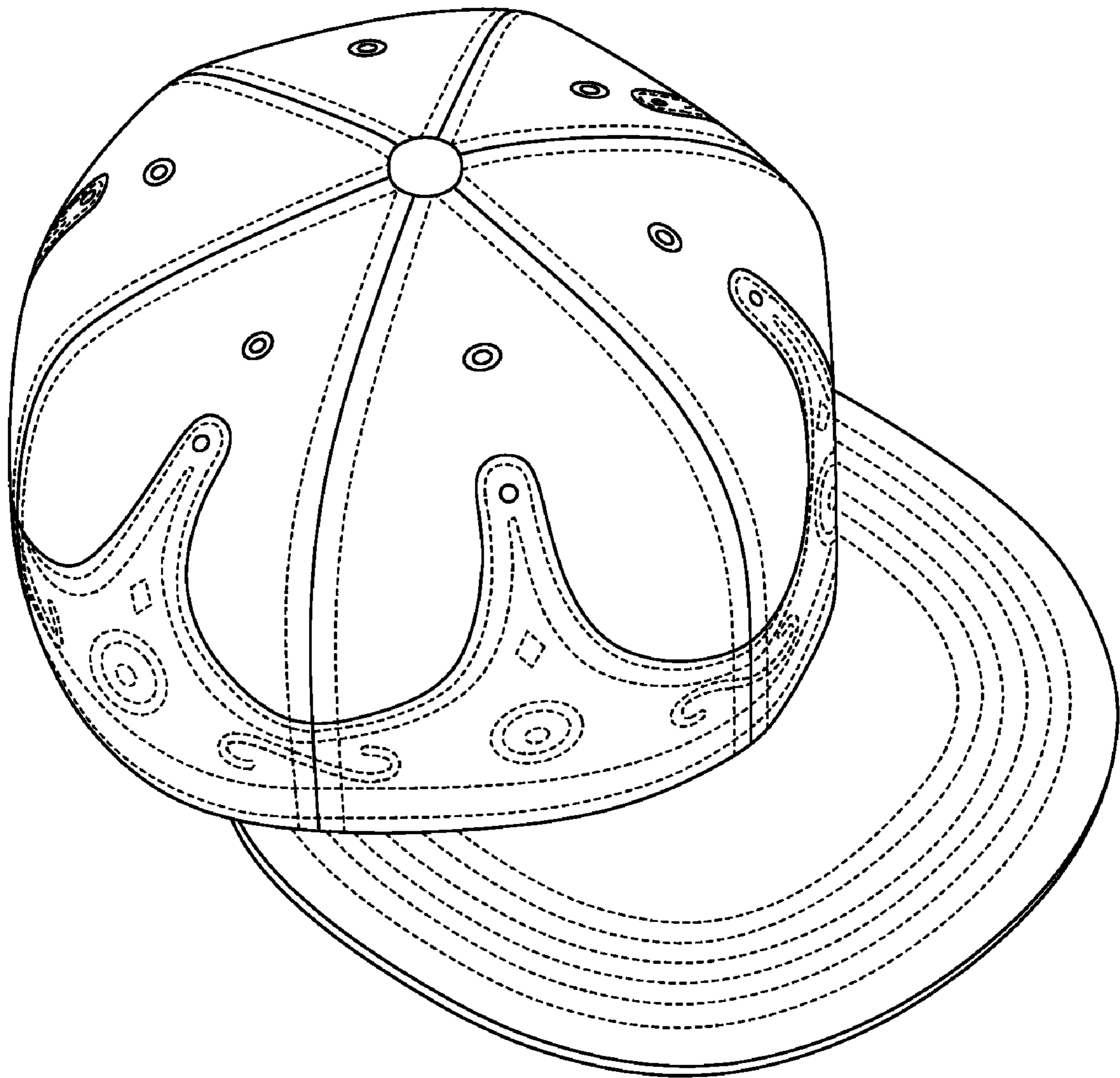


FIG. 8

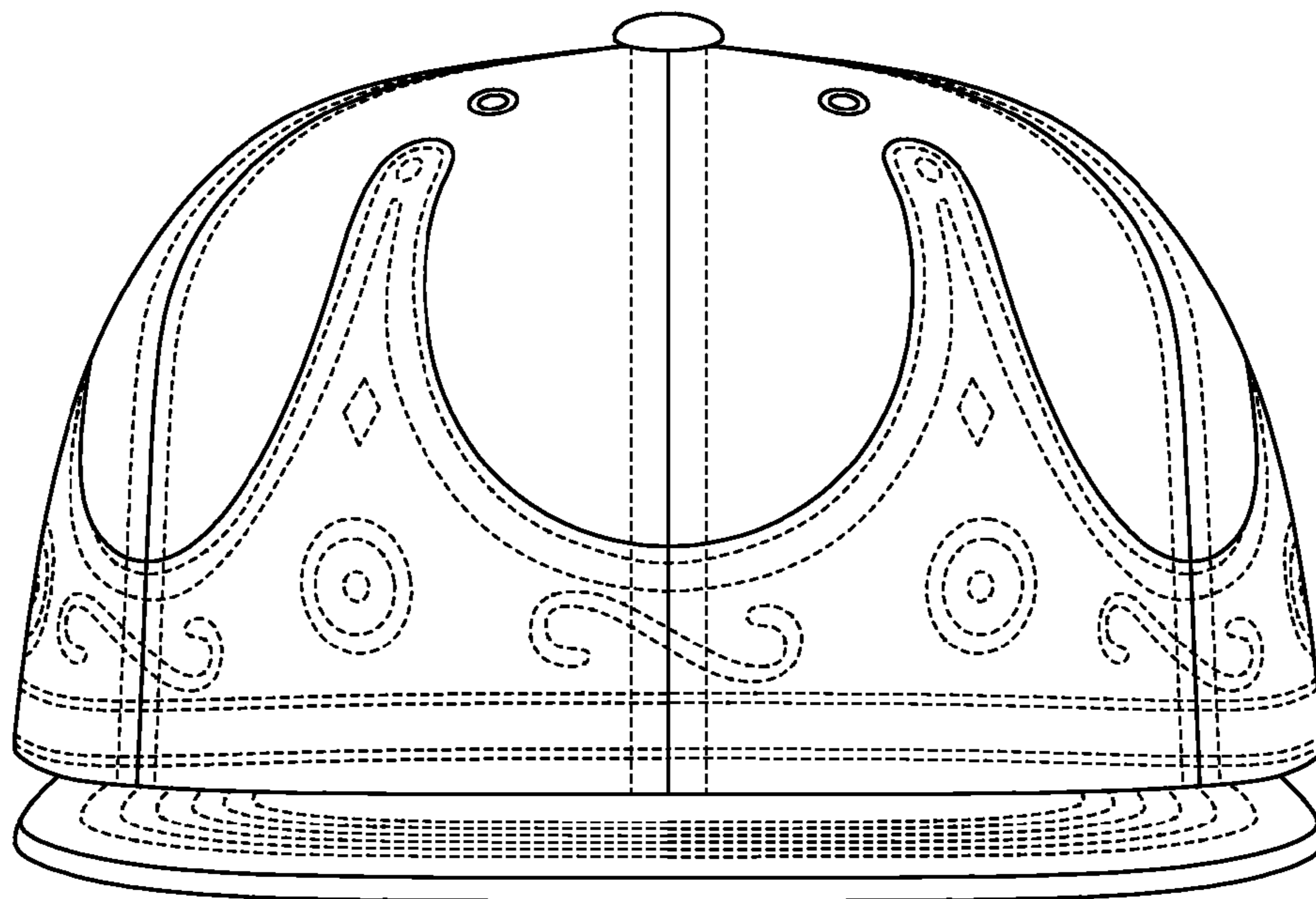


FIG. 9

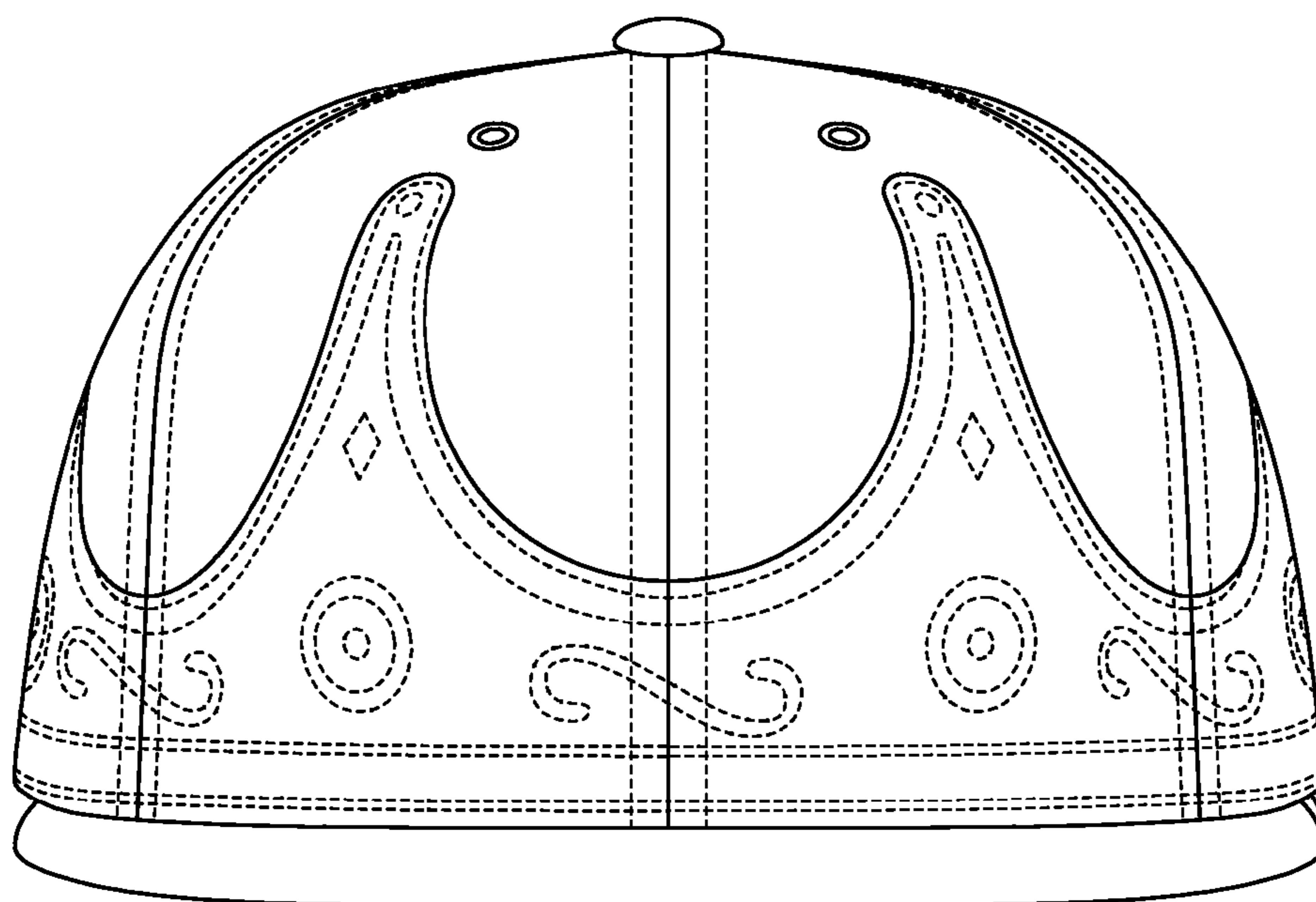


FIG. 10

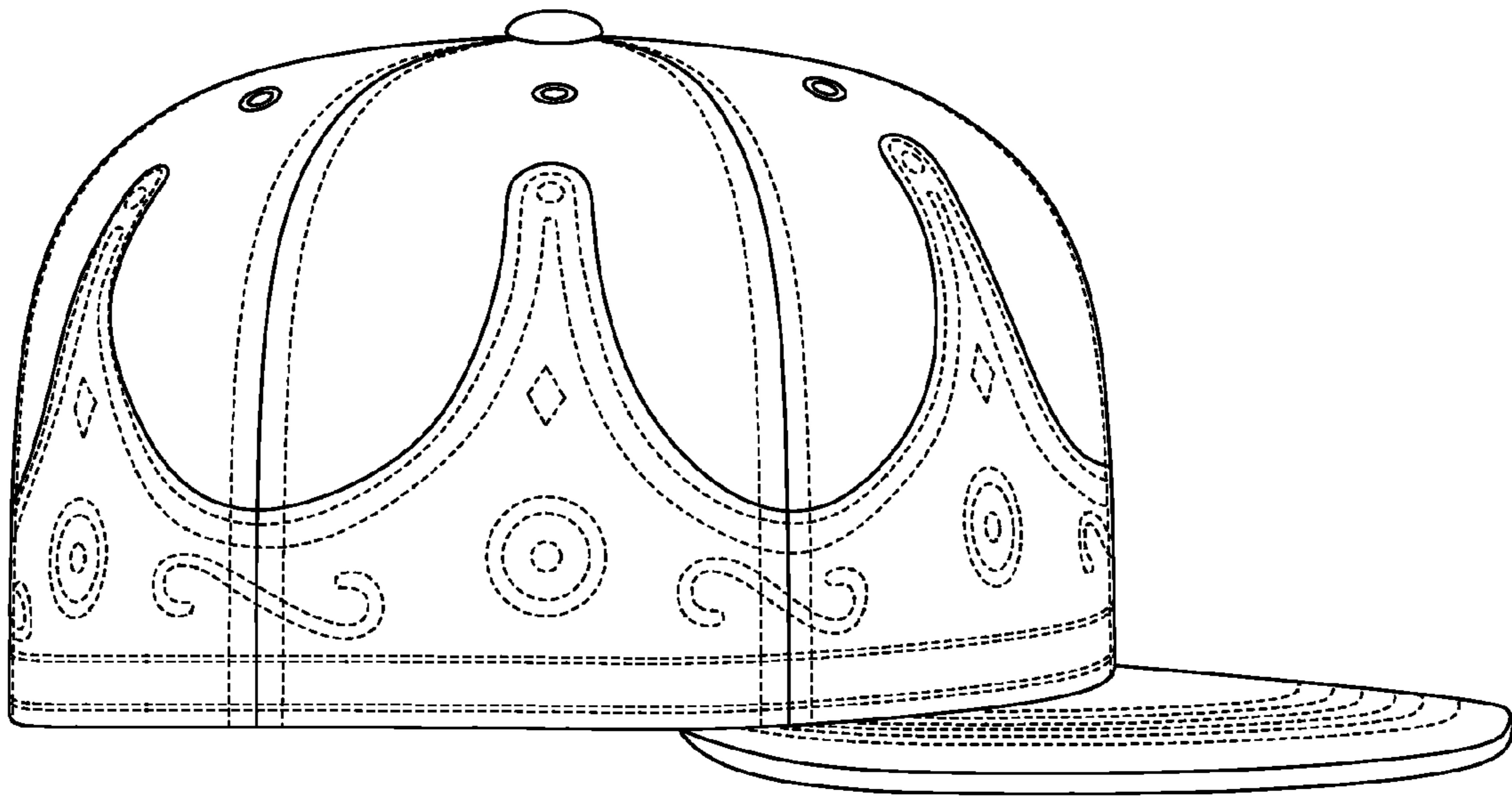


FIG. 11

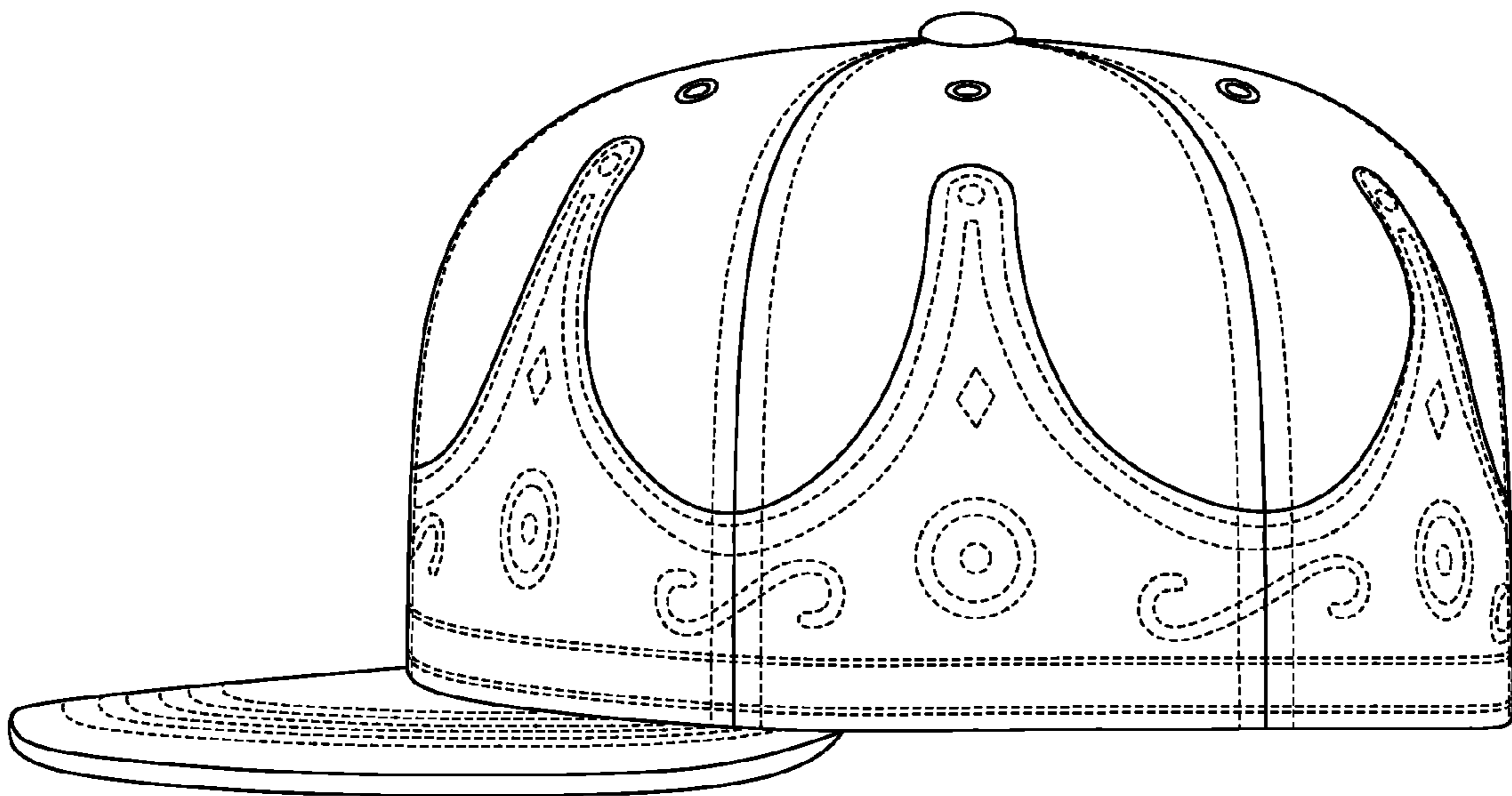


FIG. 12

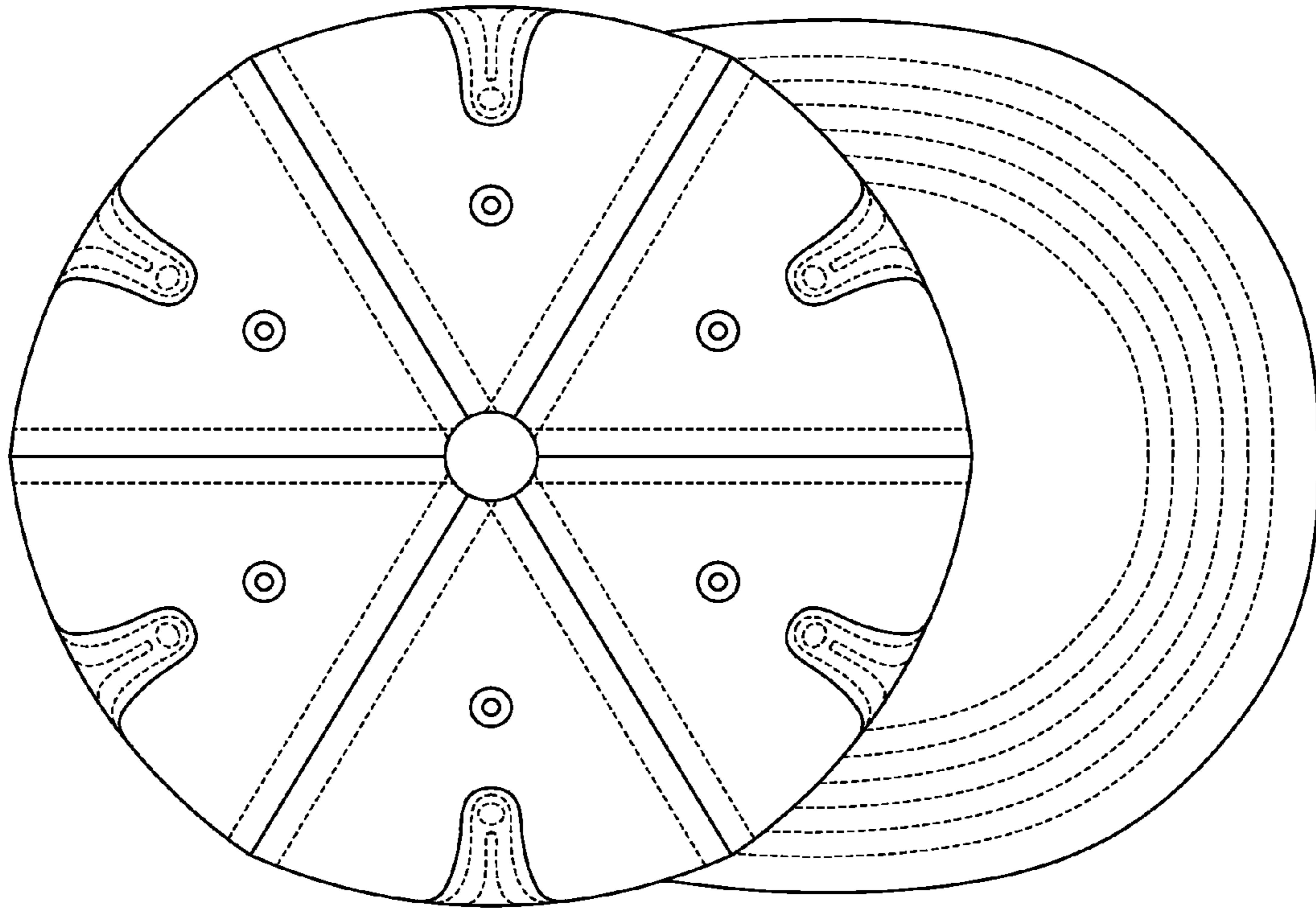


FIG. 13

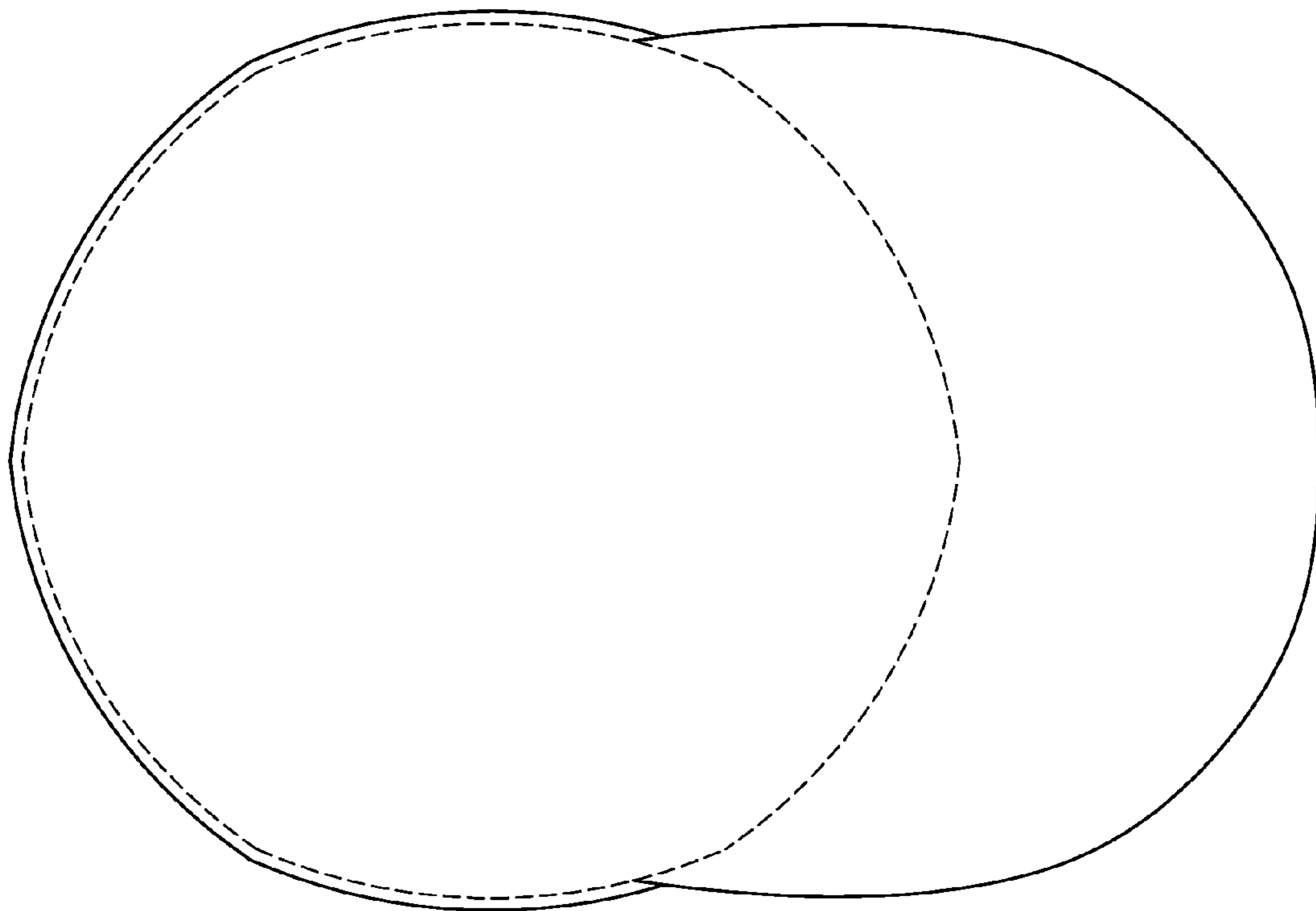


FIG. 14