

US00D569577S

(12) **United States Design Patent**  
**Barker**

(10) **Patent No.:** **US D569,577 S**  
(45) **Date of Patent:** **\*\* May 27, 2008**

(54) **WRIST BAND**

**DESCRIPTION**

(76) Inventor: **Robert Marshall Barker**, 1770  
Remington Rd., Atlanta, GA (US)  
30341

(\*\*) Term: **14 Years**

(21) Appl. No.: **29/280,727**

(22) Filed: **Jun. 5, 2007**

(51) **LOC (8) Cl.** ..... **02-06**

(52) **U.S. Cl.** ..... **D2/614; D29/120.1**

(58) **Field of Classification Search** ..... D2/610,  
D2/612, 614-623; D29/113, 116.2, 117.1-119,  
D29/123, 120.1; 2/16, 159, 161.1-161.8,  
2/162, 198; D24/190; D28/63; D32/42-43  
See application file for complete search history.

(56) **References Cited**

**U.S. PATENT DOCUMENTS**

5,092,481	A *	3/1992	Skelton	.....	220/752
D335,023	S *	4/1993	Hutcheson	.....	D2/612
D369,893	S *	5/1996	Thrussell	.....	D29/120.1
D404,817	S *	1/1999	Gomez	.....	D24/190
D528,249	S *	9/2006	Gazau	.....	D29/113

\* cited by examiner

*Primary Examiner*—Robert A Delehanty

(74) *Attorney, Agent, or Firm*—Needle & Rosenberg, P.C.

(57) **CLAIM**

The ornamental design for a wrist band, as shown and described.

FIG. 1 is a perspective view of a wrist band of the present invention showing a flap of an exterior pocket in a closed position;

FIG. 2 is a front elevational view of the wrist band of FIG. 1;

FIG. 3 is a right side elevational view of the wrist band of FIG. 1, of which the right side is substantially a mirror image thereof;

FIG. 4 is a rear elevational view of the wrist band of FIG. 1;

FIG. 5 is a top plan view of the wrist band of FIG. 1;

FIG. 6 is a bottom plan view of the wrist band of FIG. 1;

FIG. 7 is a perspective view of a wrist band of the present invention showing the flap of the exterior pocket in an open position;

FIG. 8 is a front elevational view of the wrist band showing the flap of the exterior pocket in an open position projecting toward an external observer;

FIG. 9 is a right side elevational view of the wrist band of FIG. 7, of which the right side is substantially a mirror image thereof;

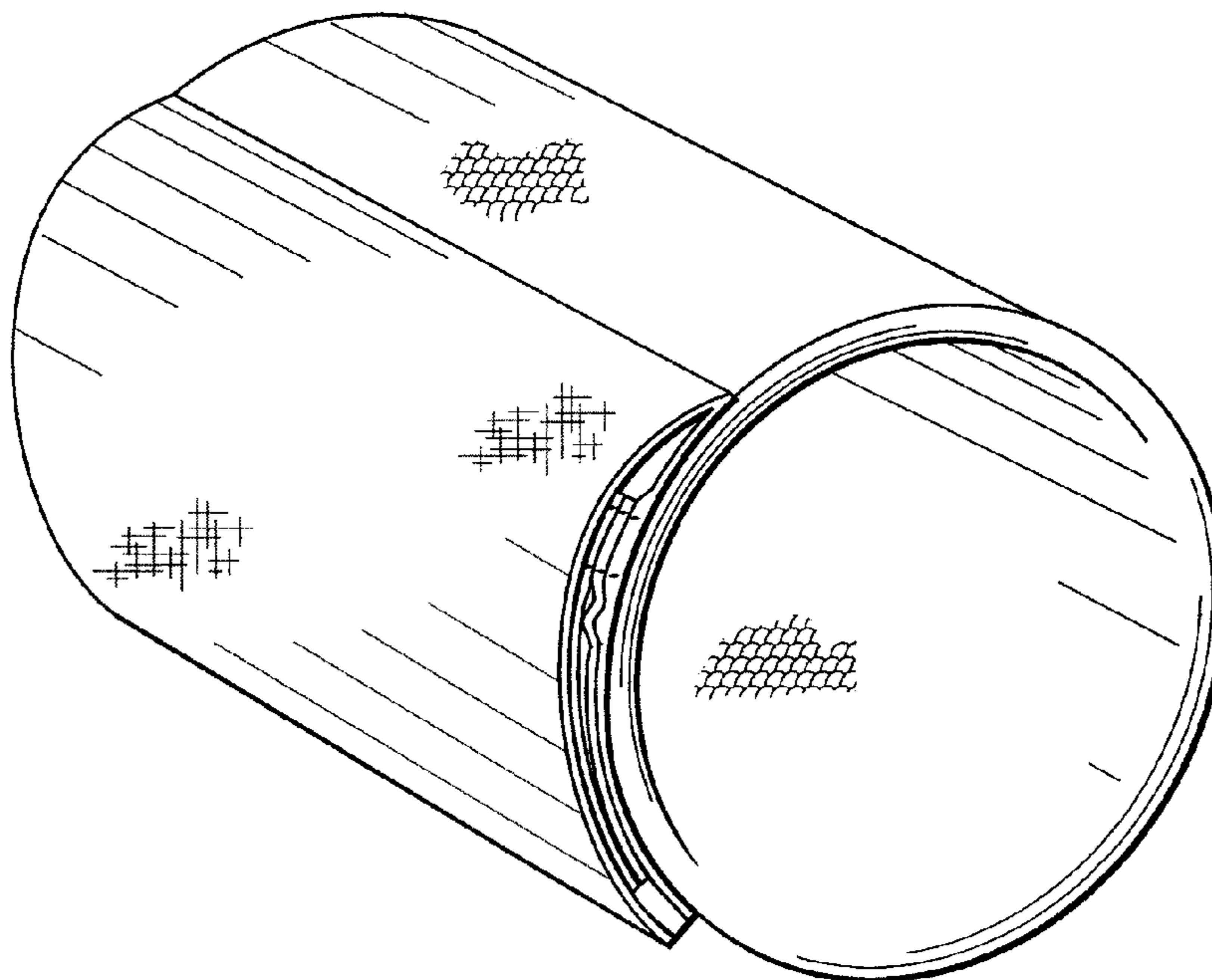
FIG. 10 is a rear elevational view of the wrist band of FIG. 8;

FIG. 11 is a top plan view of the wrist band of FIG. 7; and,

FIG. 12 is a bottom plan view of the wrist band of FIG. 7.

The broken lines shown are for illustrative purposes only and form no part of the claimed design.

**1 Claim, 6 Drawing Sheets**



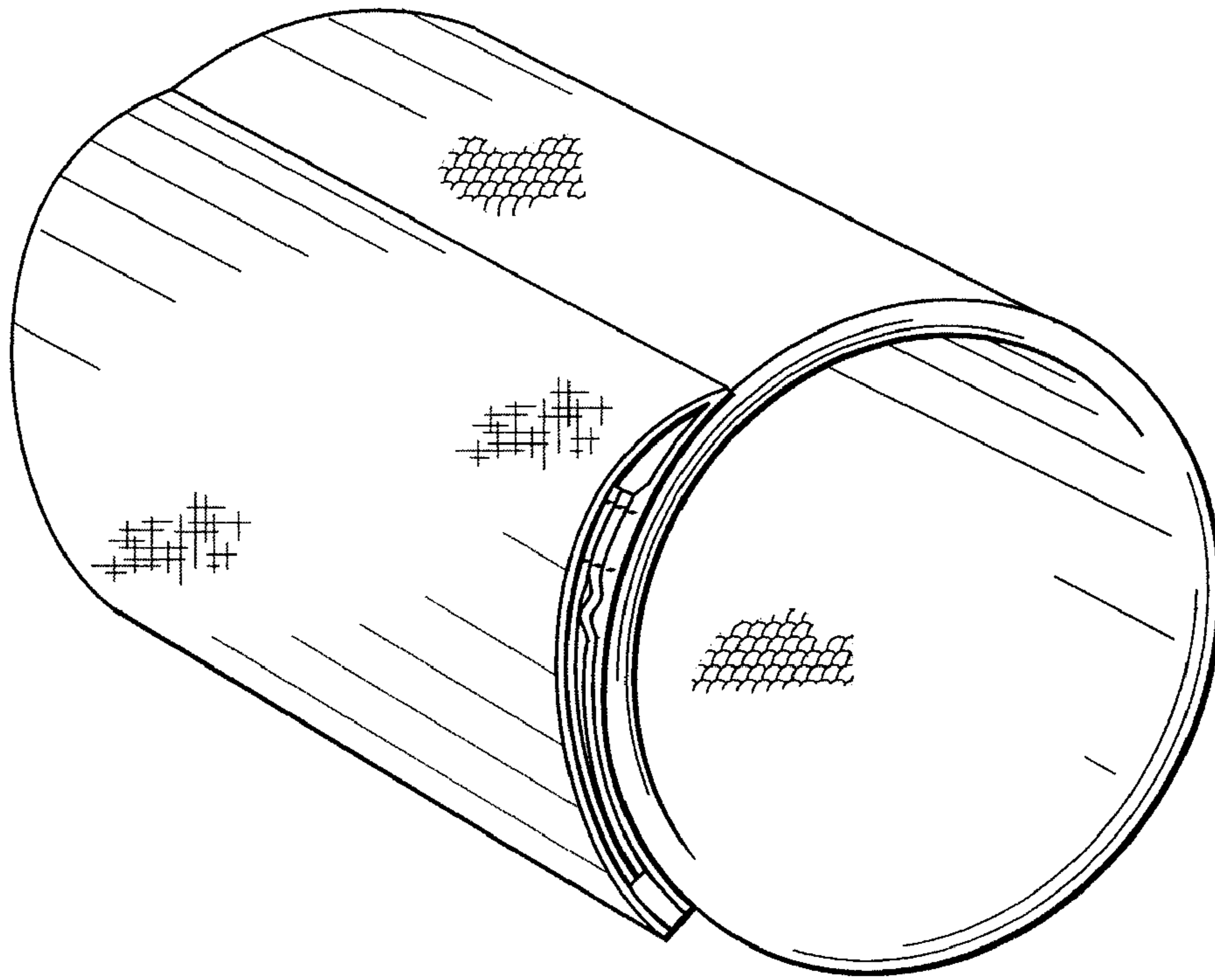


FIG. 1

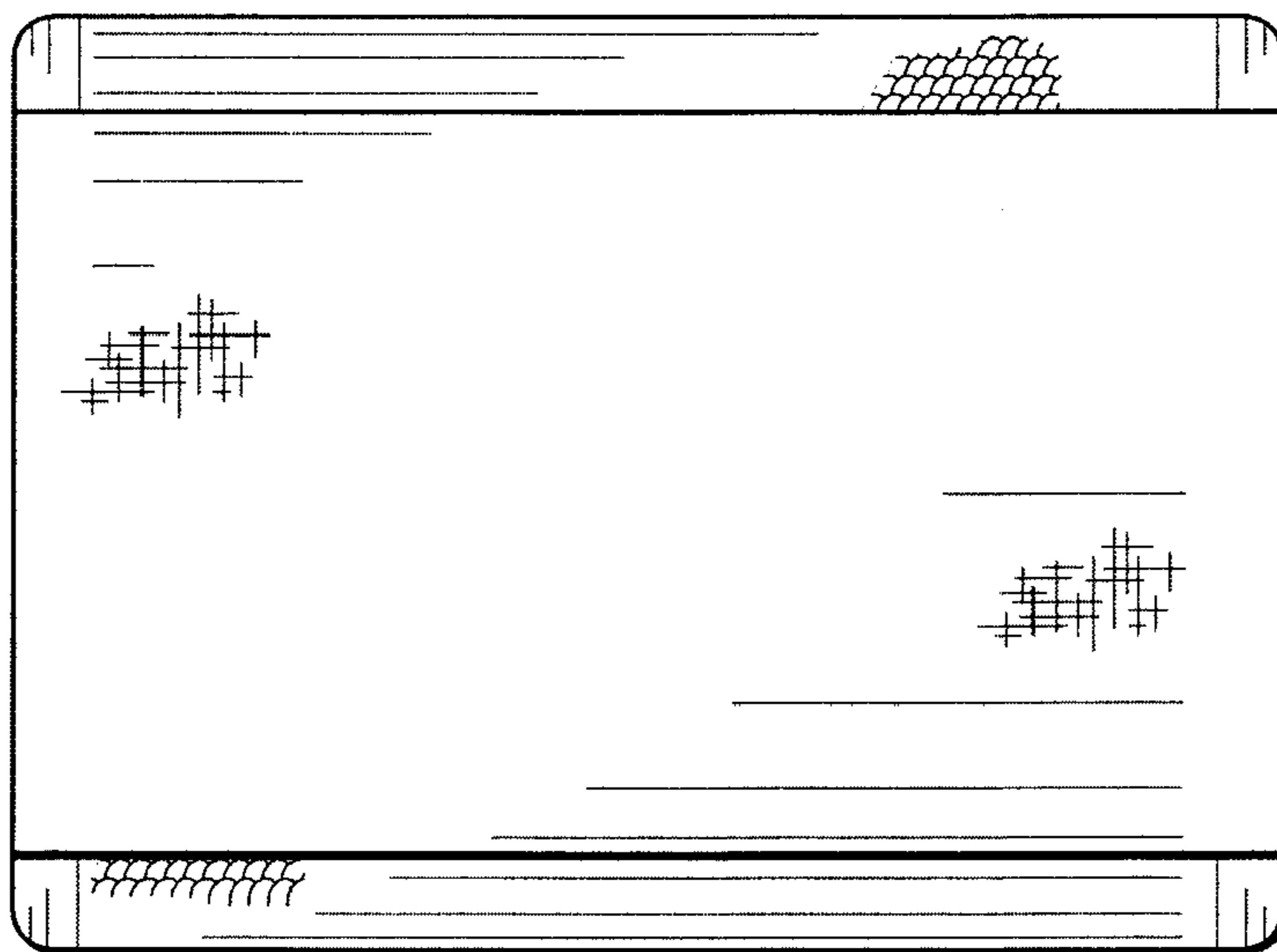


FIG. 2

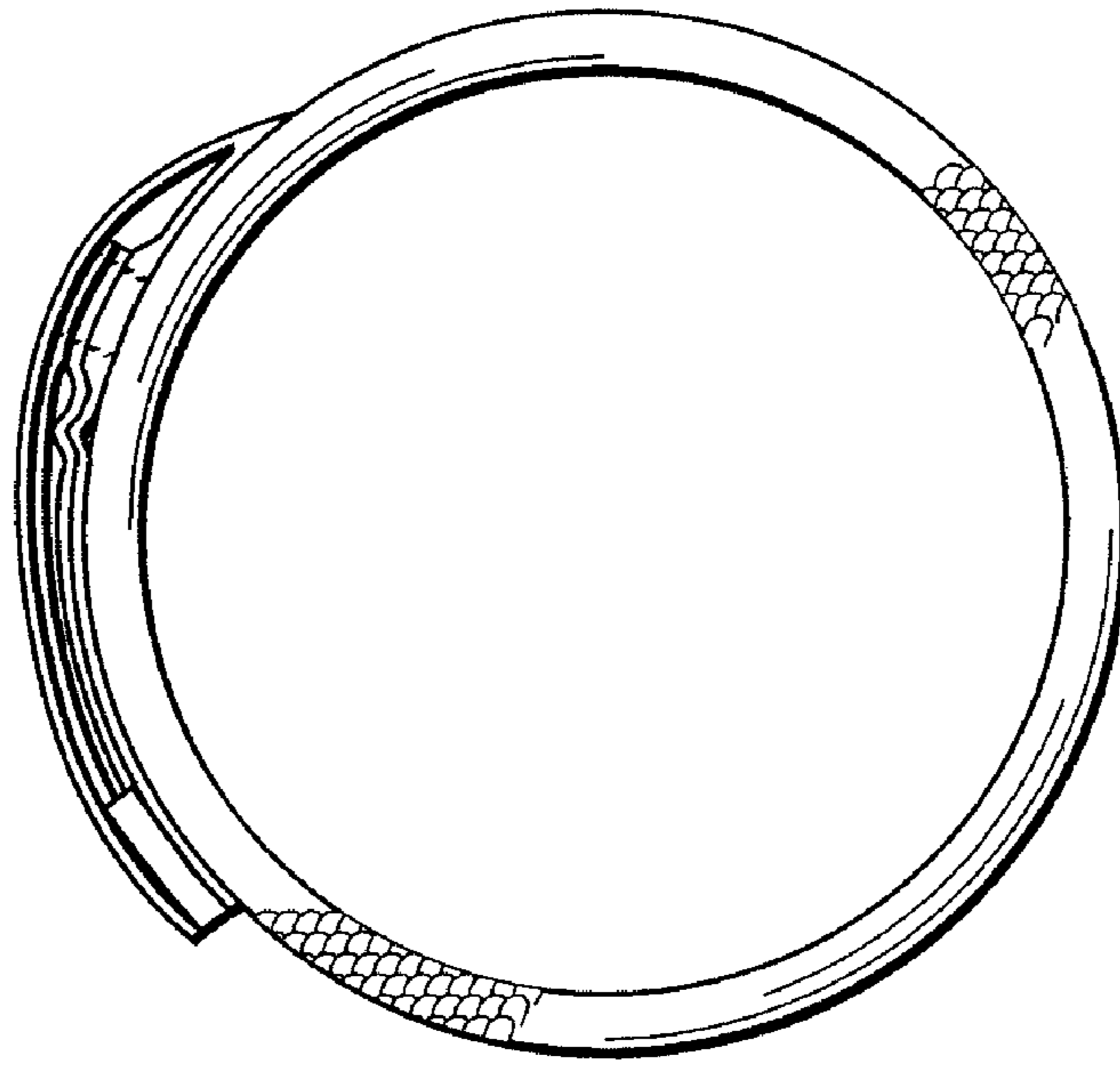


FIG. 3

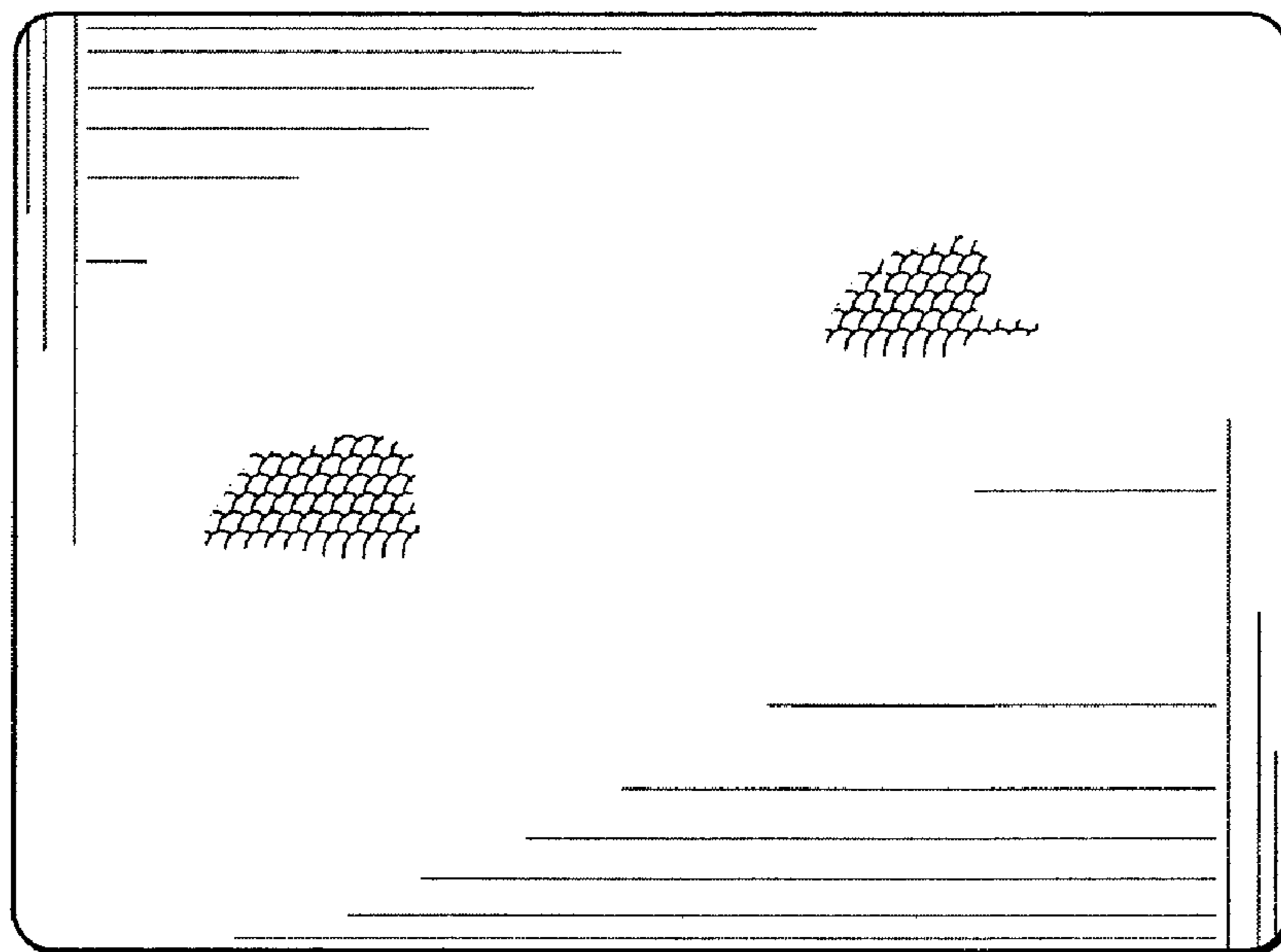


FIG. 4

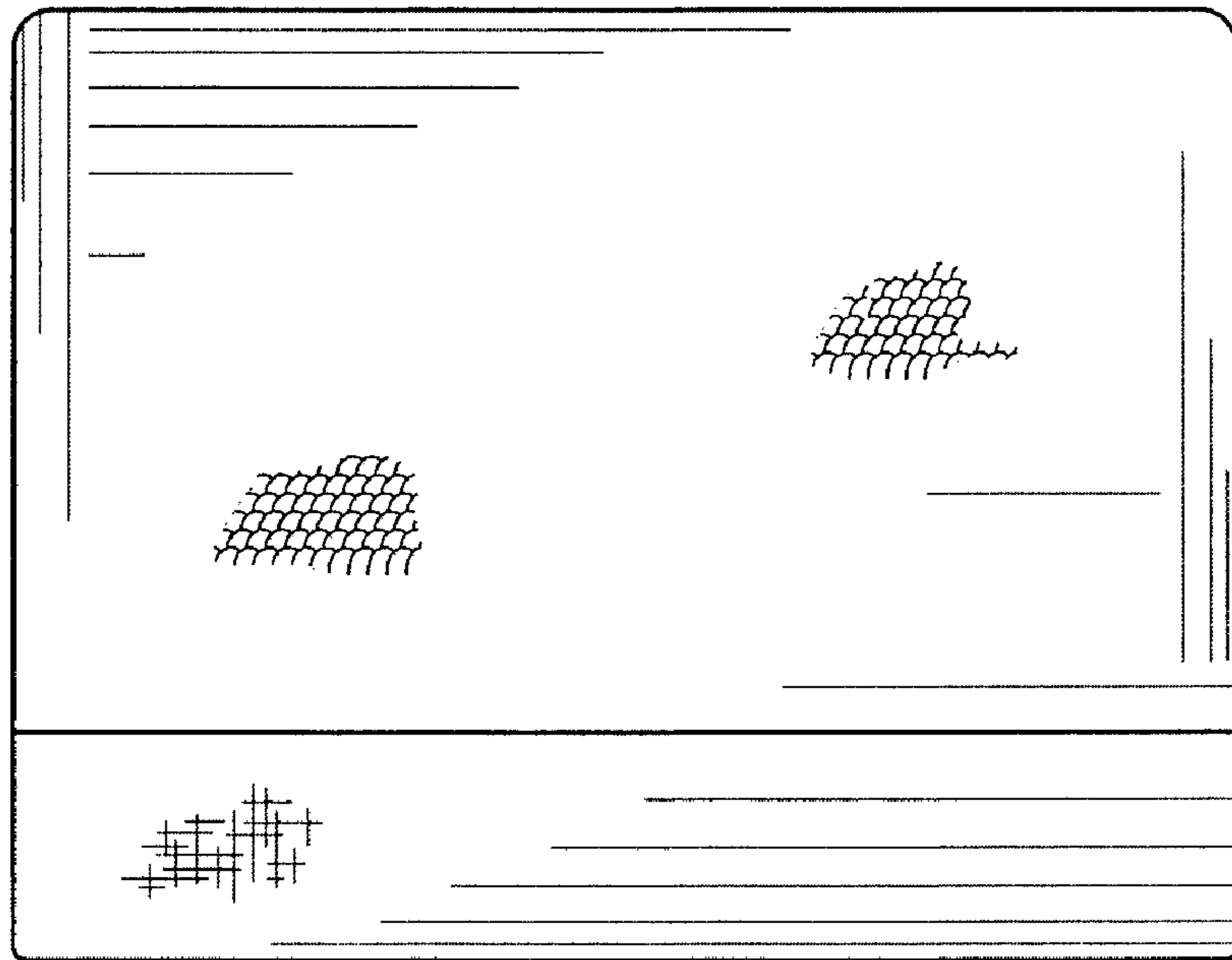


FIG. 5

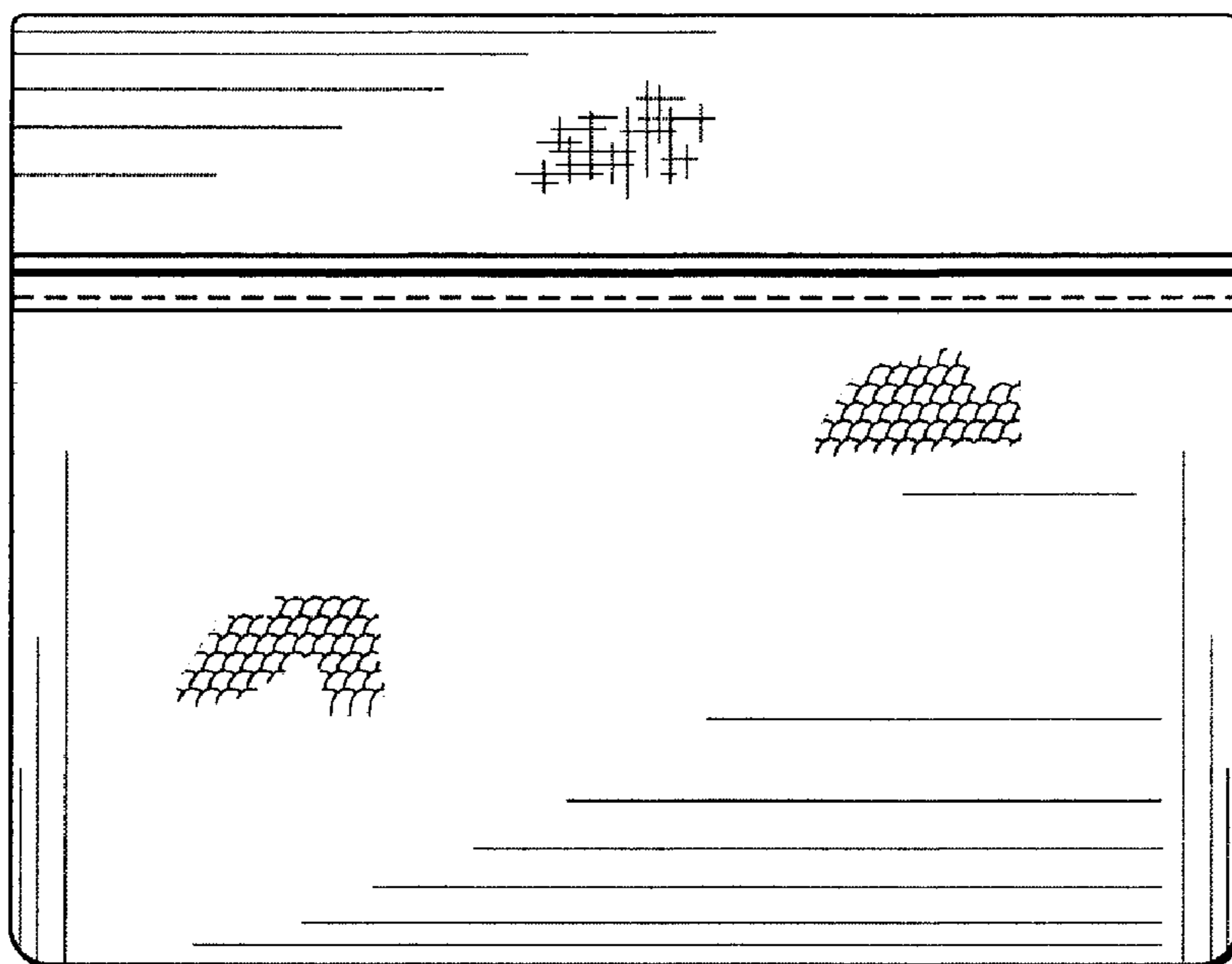


FIG. 6



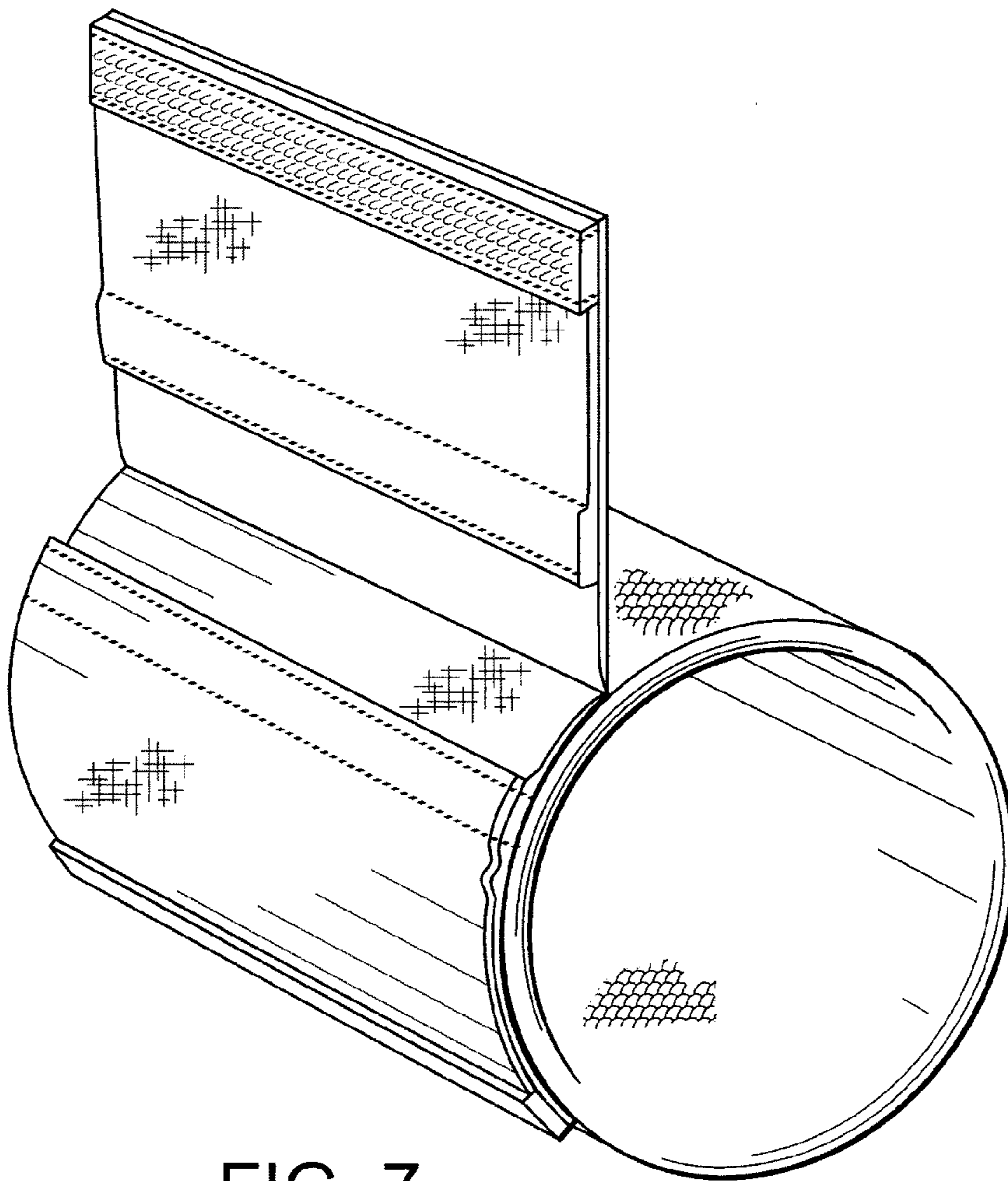


FIG. 7

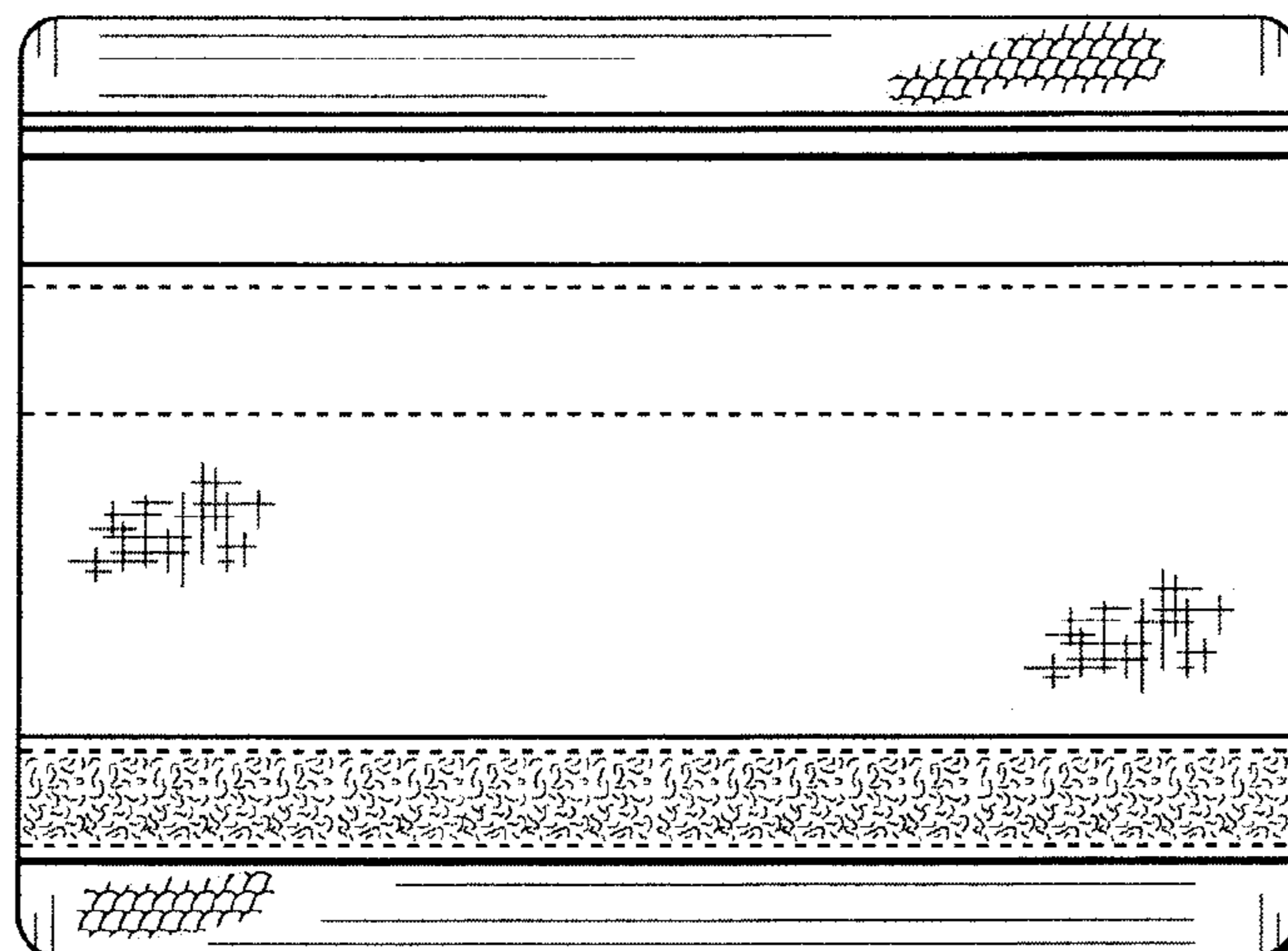


FIG. 8

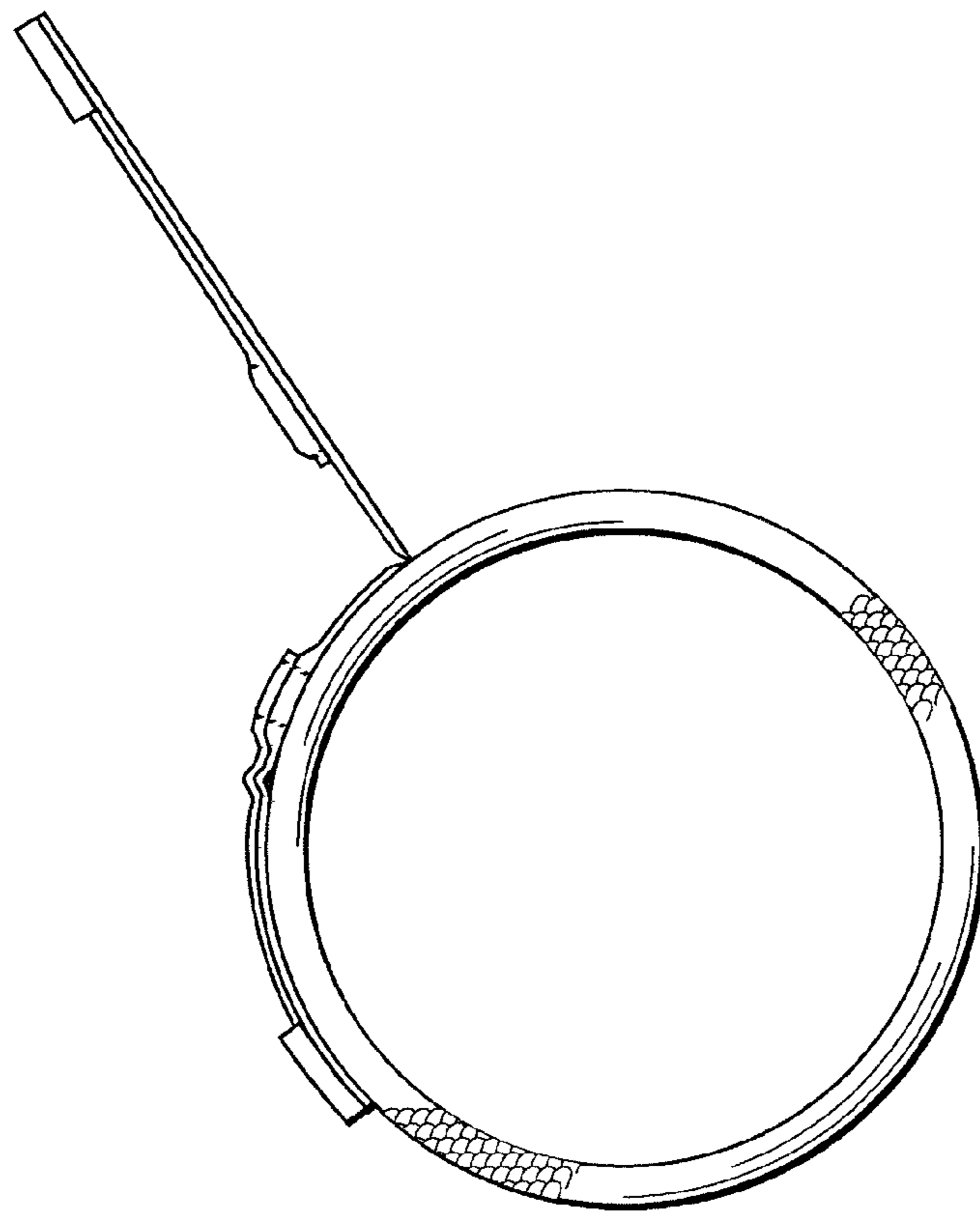


FIG. 9

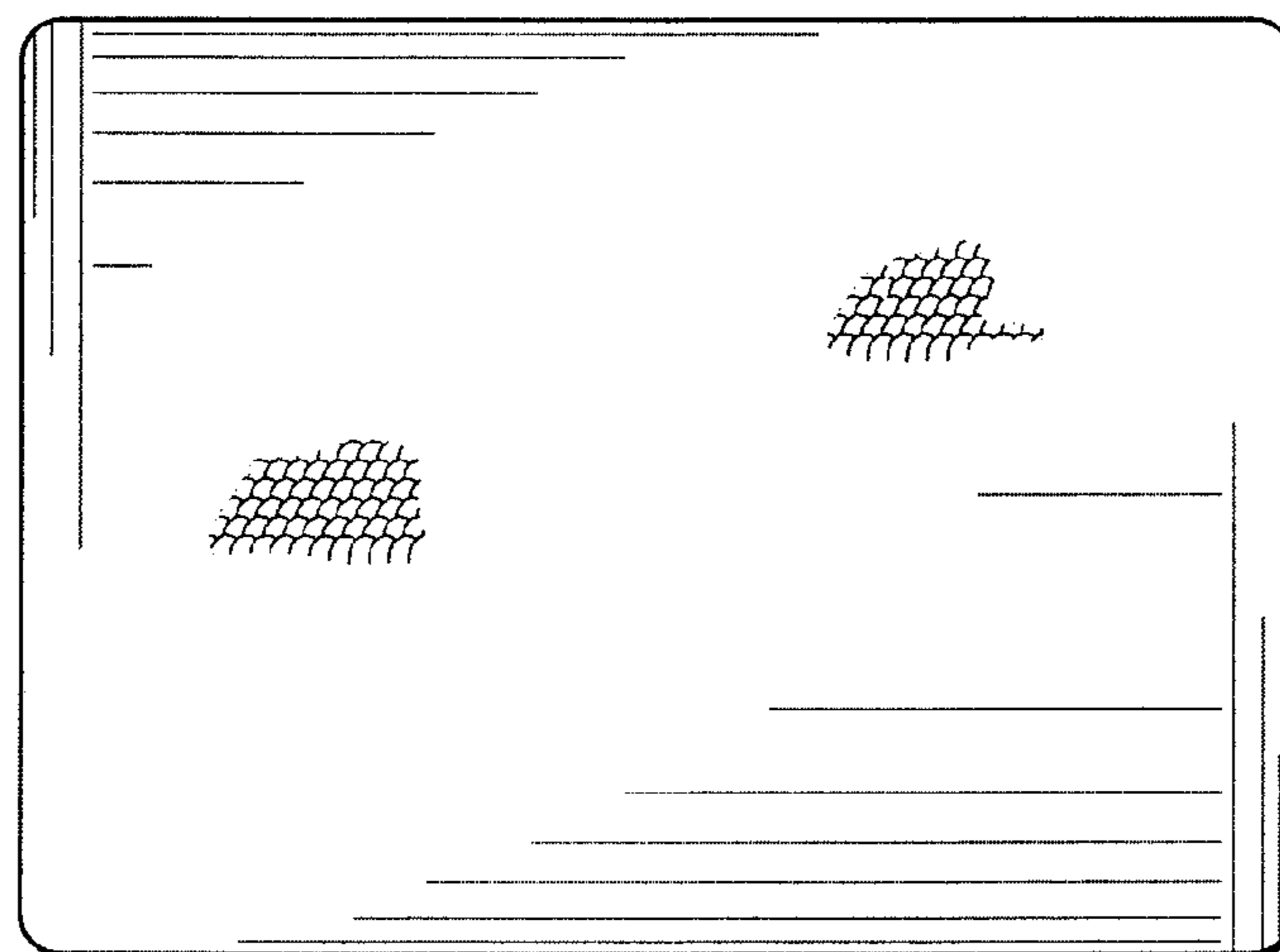


FIG. 10

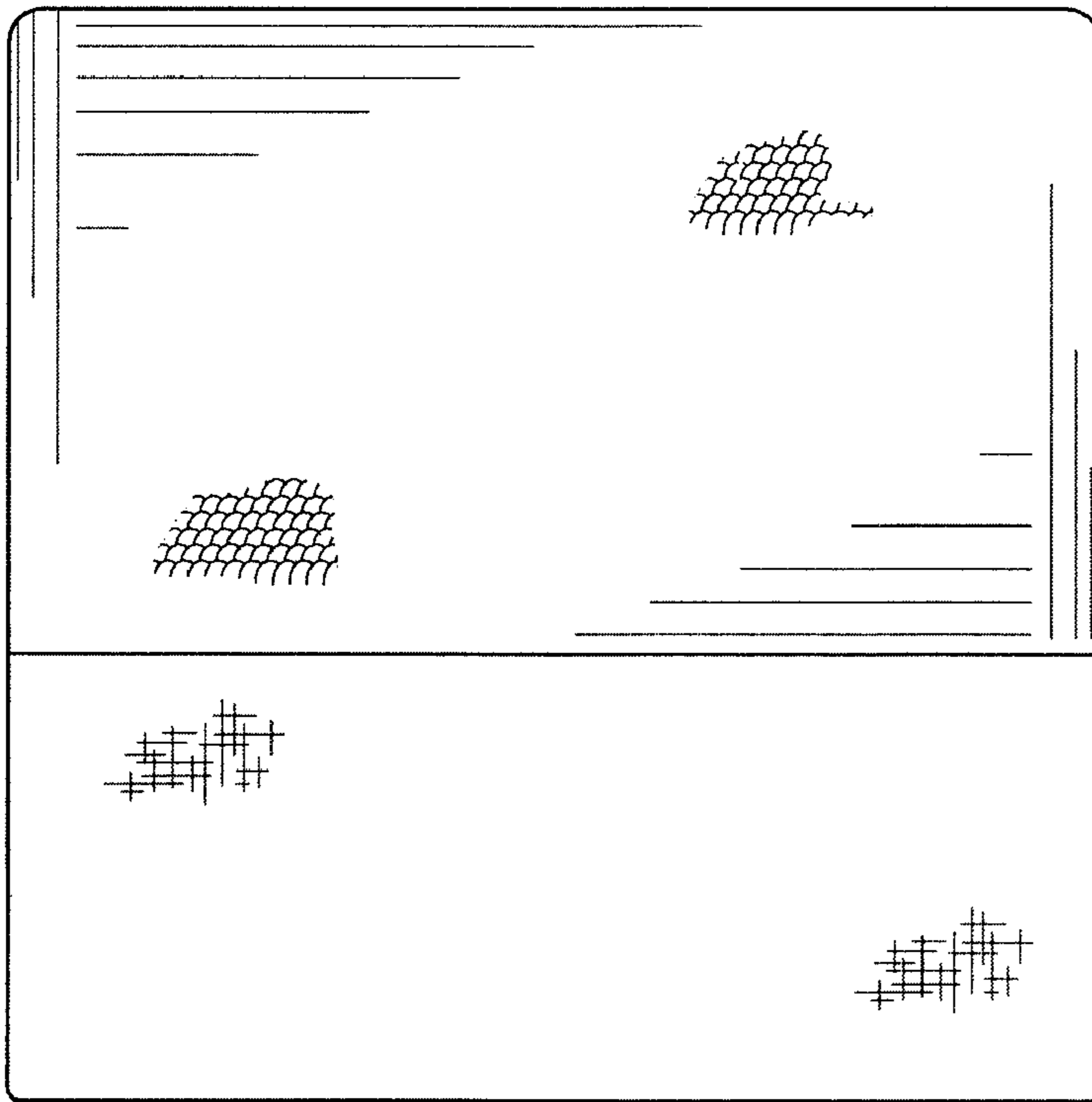


FIG. 11

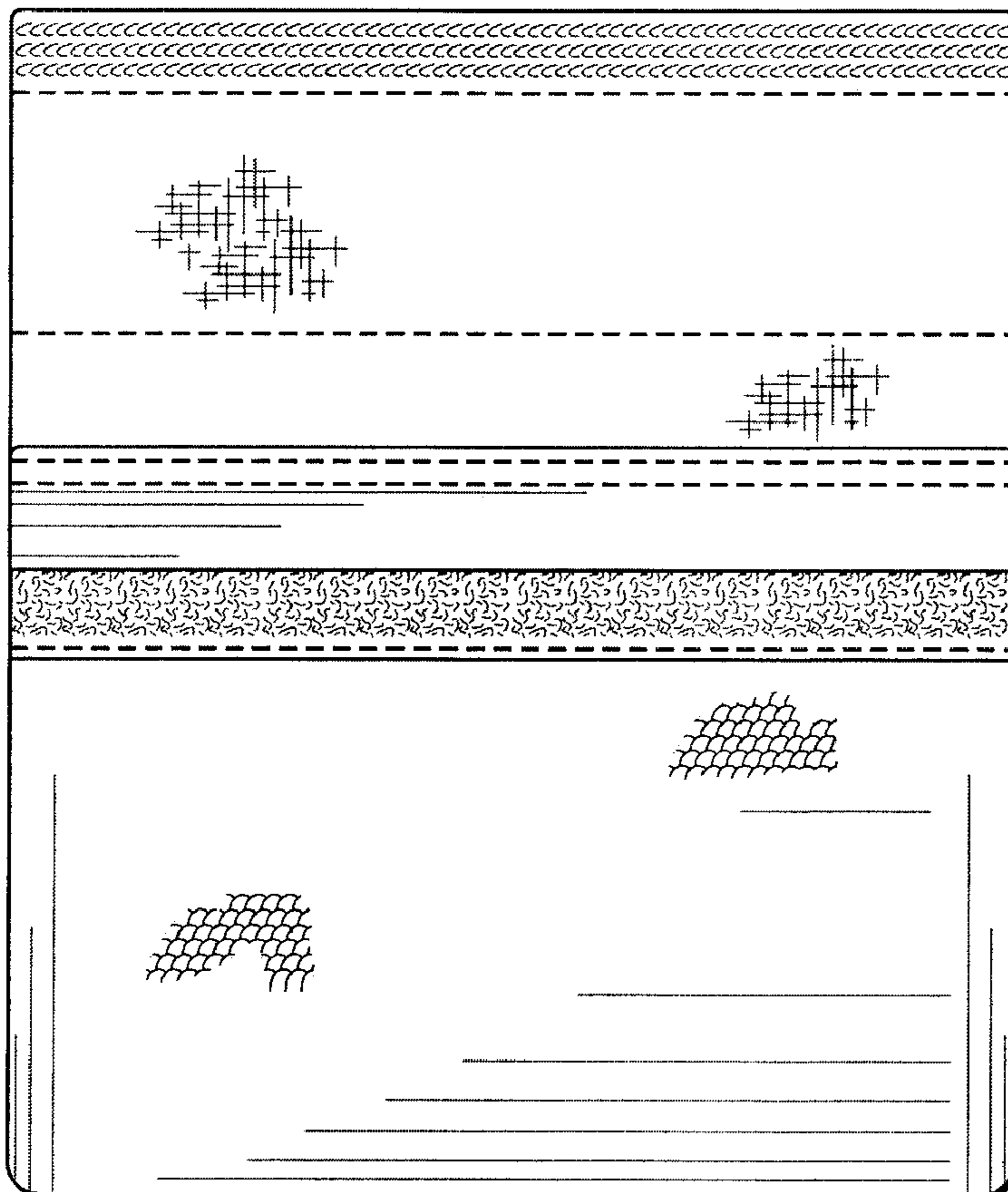


FIG. 12