

US00D569574S

(12) **United States Design Patent**  
**Turner**

(10) **Patent No.:** **US D569,574 S**

(45) **Date of Patent:** **\*\* May 20, 2008**

(54) **HYDRAULIC BOTTLE JACK WITH CONTROL KNOB**

D537,604 S \* 2/2007 Redman ..... D34/31

\* cited by examiner

(76) Inventor: **Roger C. Turner**, 280 Cagney La.,  
Suite 306, Newport Beach, CA (US)  
92663

*Primary Examiner*—Cynthia E Ramirez

(74) *Attorney, Agent, or Firm*—Roger C. Turner

(\*\*) Term: **14 Years**

(57) **CLAIM**

(21) Appl. No.: **29/289,054**

The ornamental design for a hydraulic bottle jack with control knob, as shown and described.

(22) Filed: **Jul. 3, 2007**

**DESCRIPTION**

(51) **LOC (8) Cl.** ..... **12-05**

(52) **U.S. Cl.** ..... **D34/31**

(58) **Field of Classification Search** ..... D34/31,  
D34/28; 254/8 B, 2 B, 10 B, 93 H  
See application file for complete search history.

FIG. 1 is left front perspective view of a hydraulic bottle jack with control knob showing my new design;

FIG. 2 is a front elevational view showing my new design;

FIG. 3 is a rear elevational view showing my new design;

FIG. 4 is a left side elevational view showing my new design;

FIG. 5 is a right side perspective view showing my new design;

FIG. 6 is a top plan view showing my new design; and,

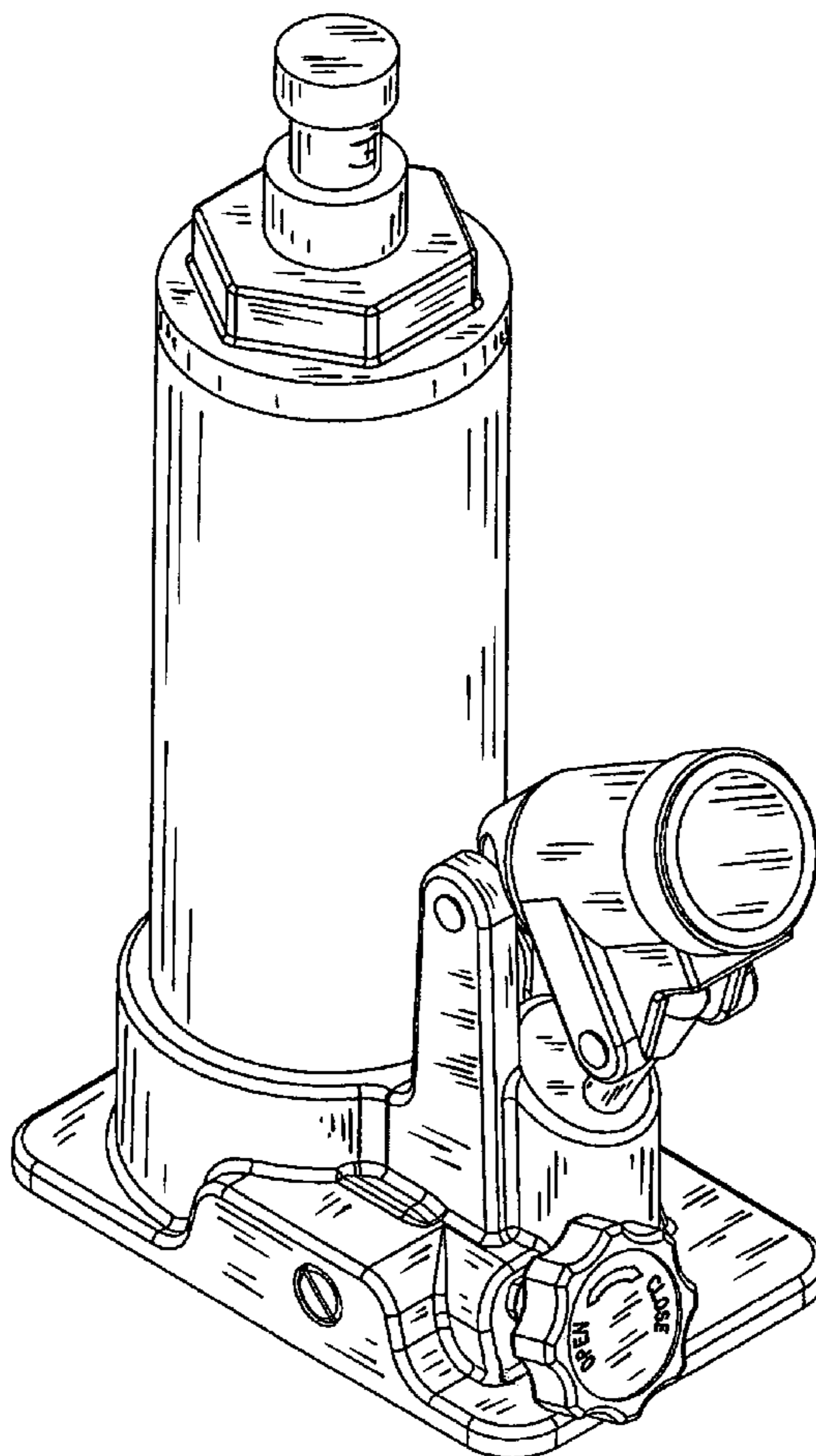
FIG. 7 is a bottom view showing my new design.

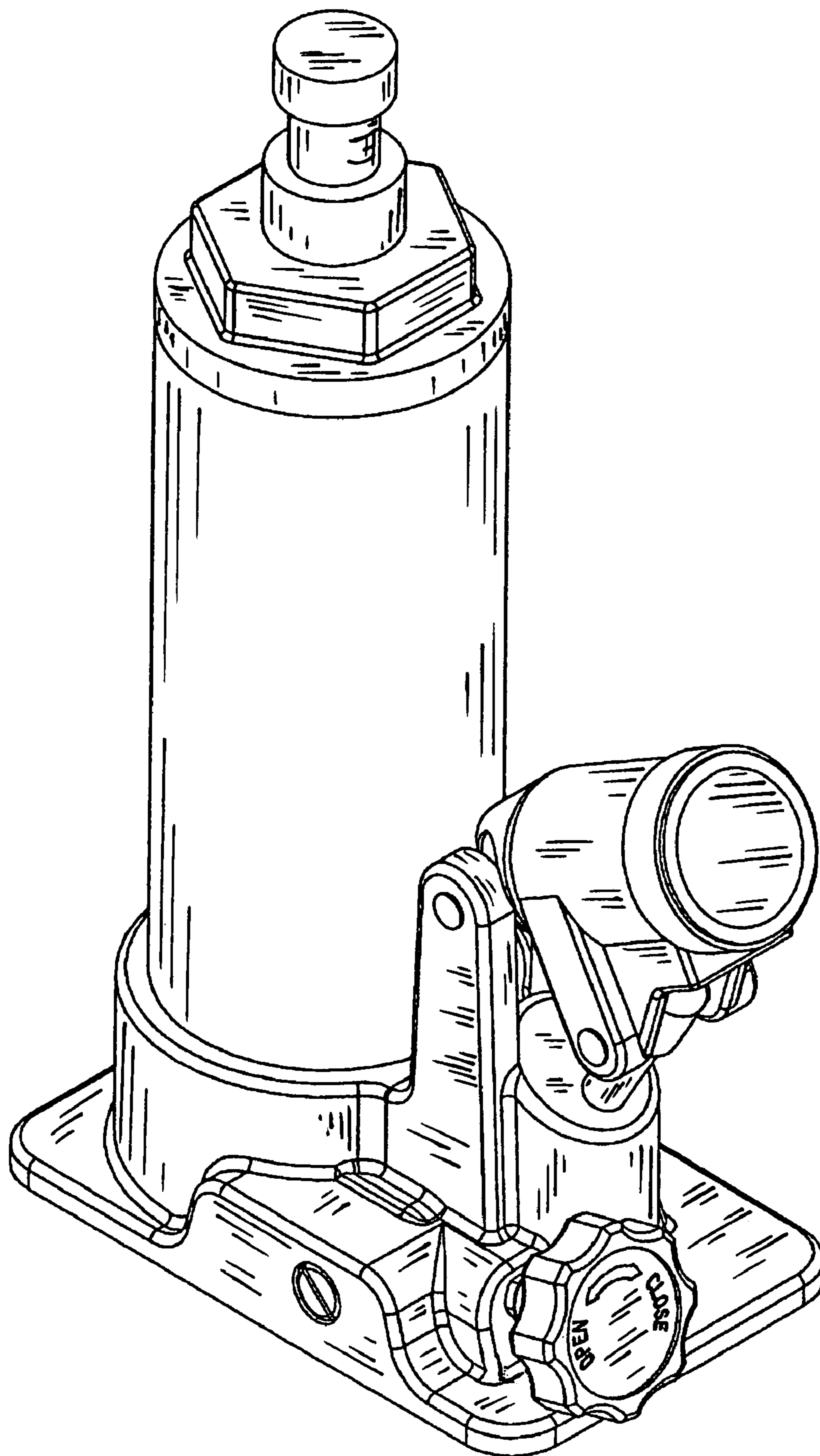
(56) **References Cited**

U.S. PATENT DOCUMENTS

2,412,414	A *	12/1946	Mueller	.....	254/93 H
4,616,807	A *	10/1986	Cheng	.....	254/93 H
4,784,371	A *	11/1988	Kamper	.....	254/93 H
D313,492	S *	1/1991	Hung	.....	D34/31
D345,844	S *	4/1994	Steele	.....	D34/31
D357,786	S *	4/1995	Nichols	.....	D34/31

**1 Claim, 7 Drawing Sheets**





*FIG. 1*

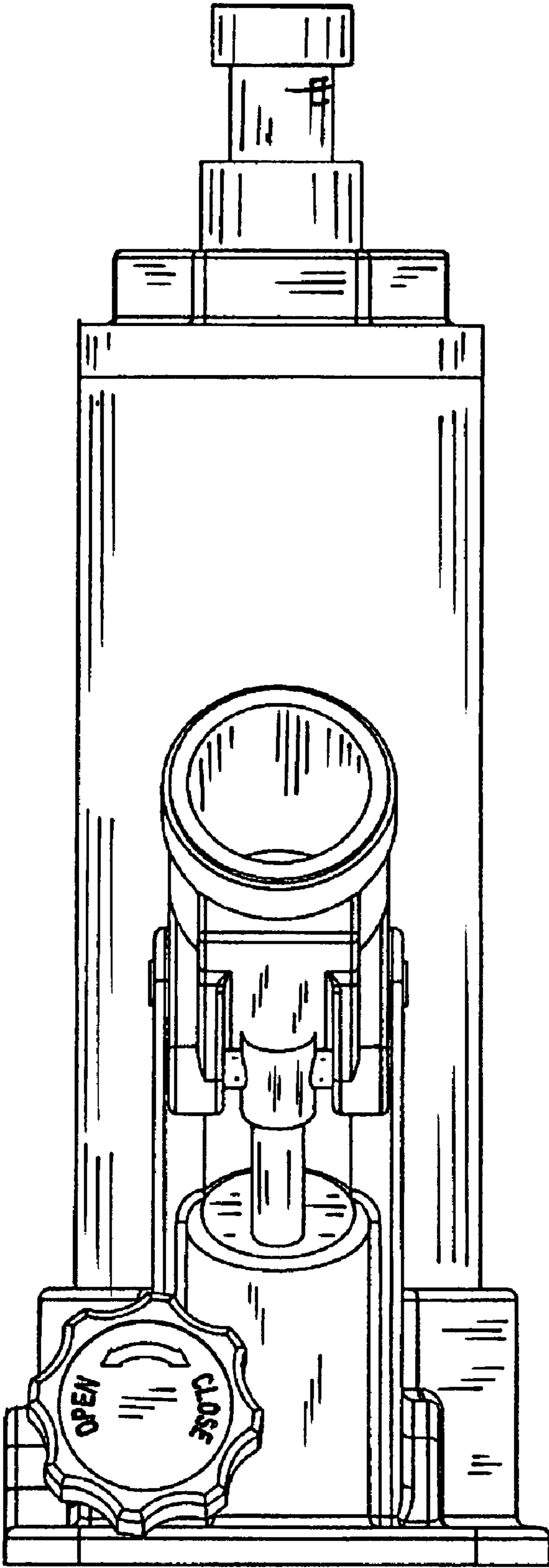


FIG. 2

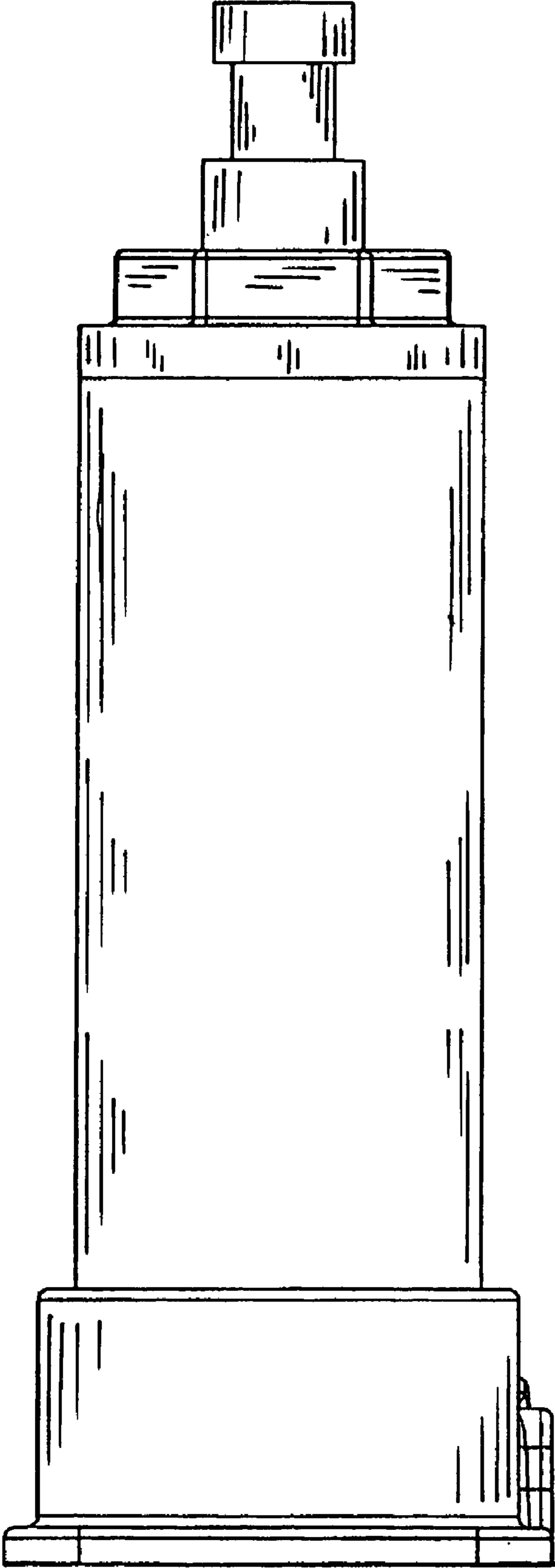


FIG. 3

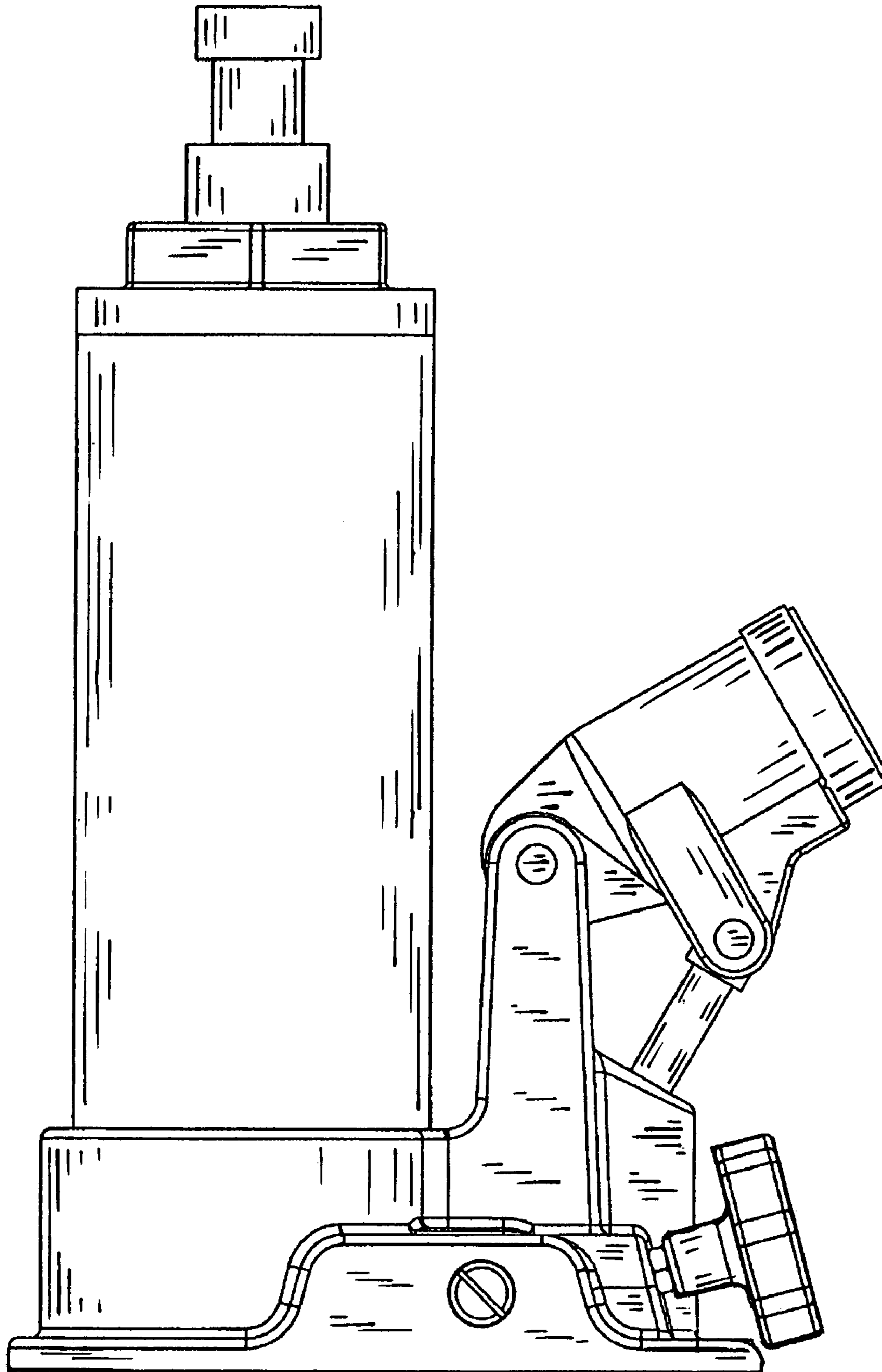
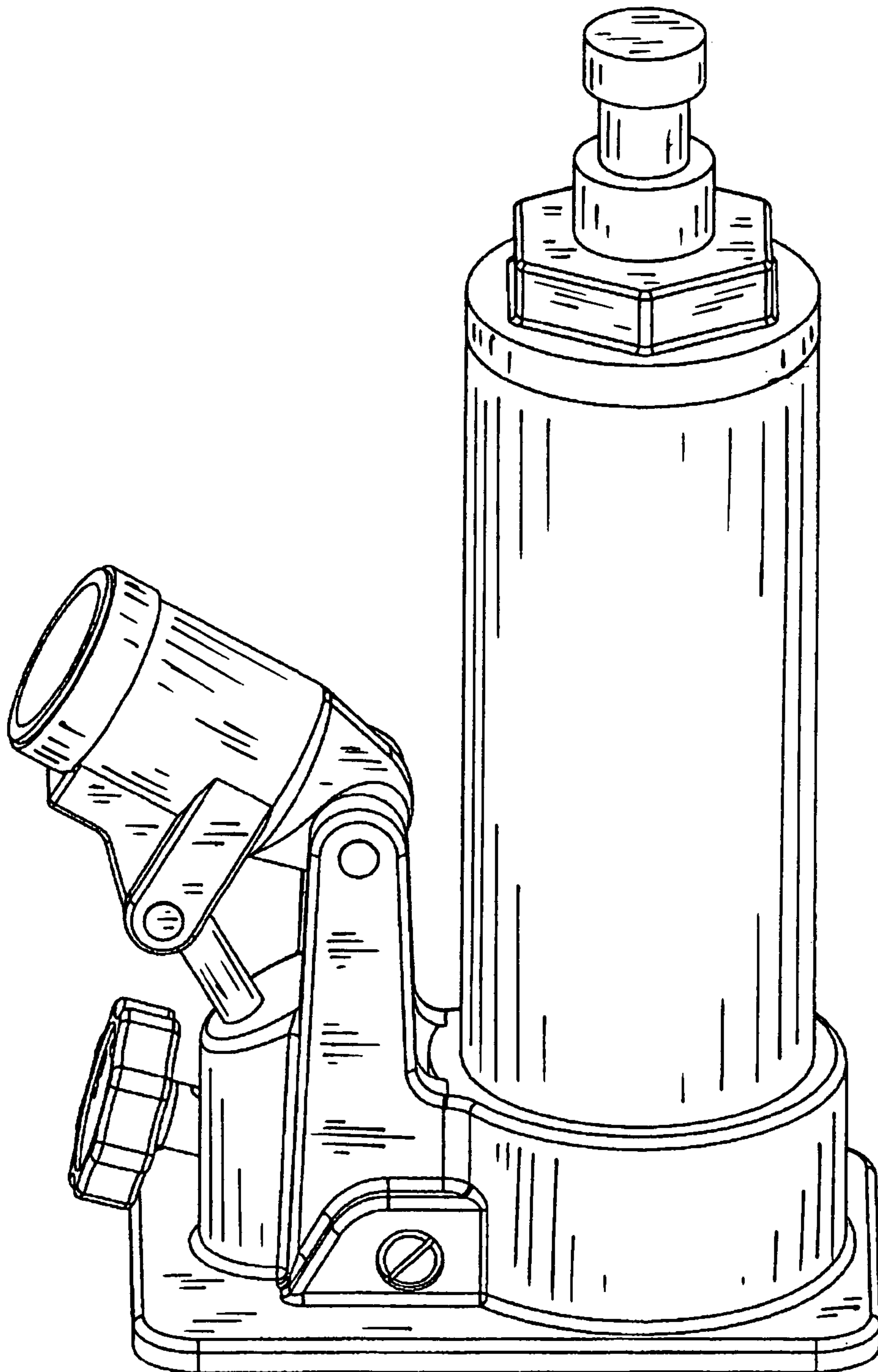
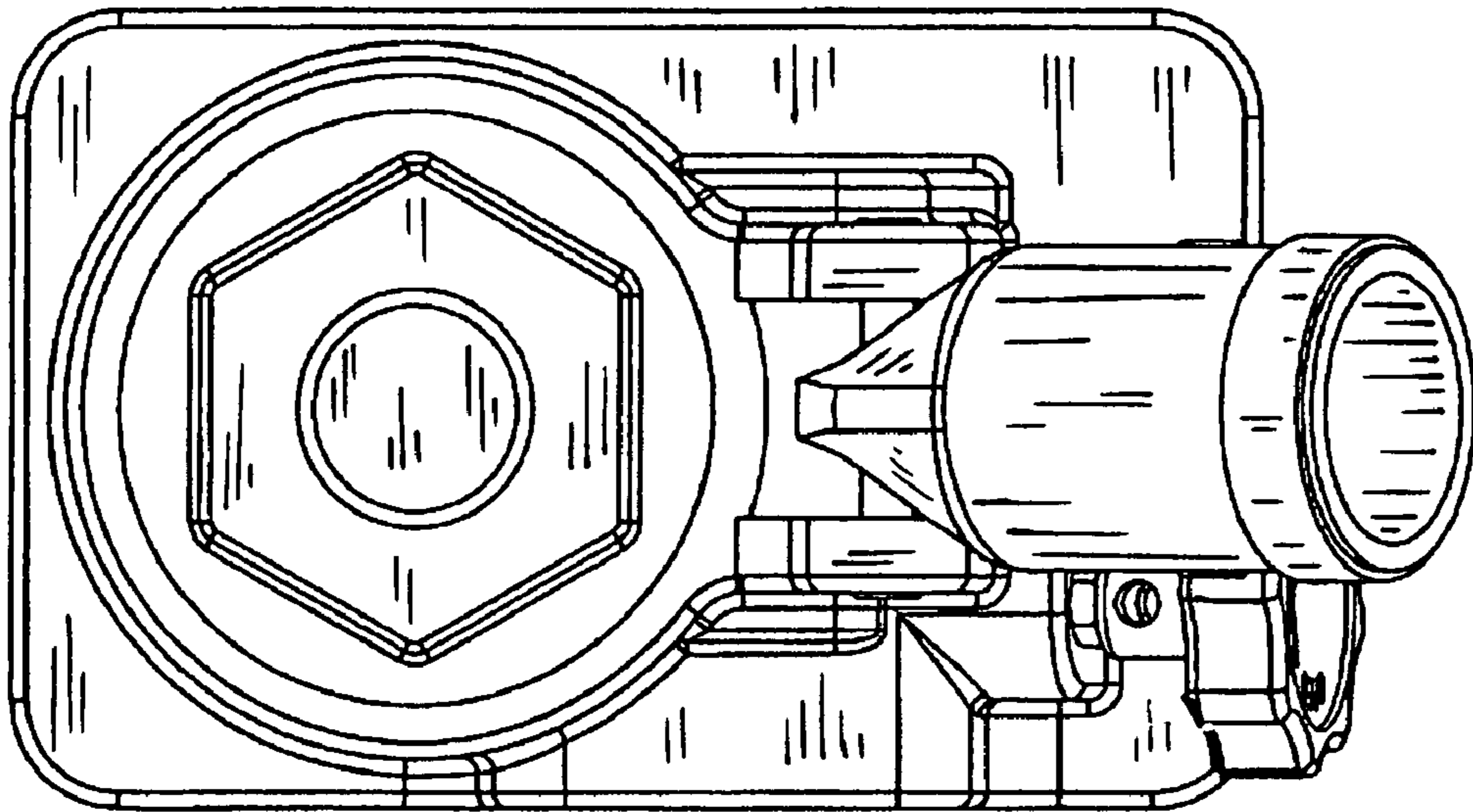


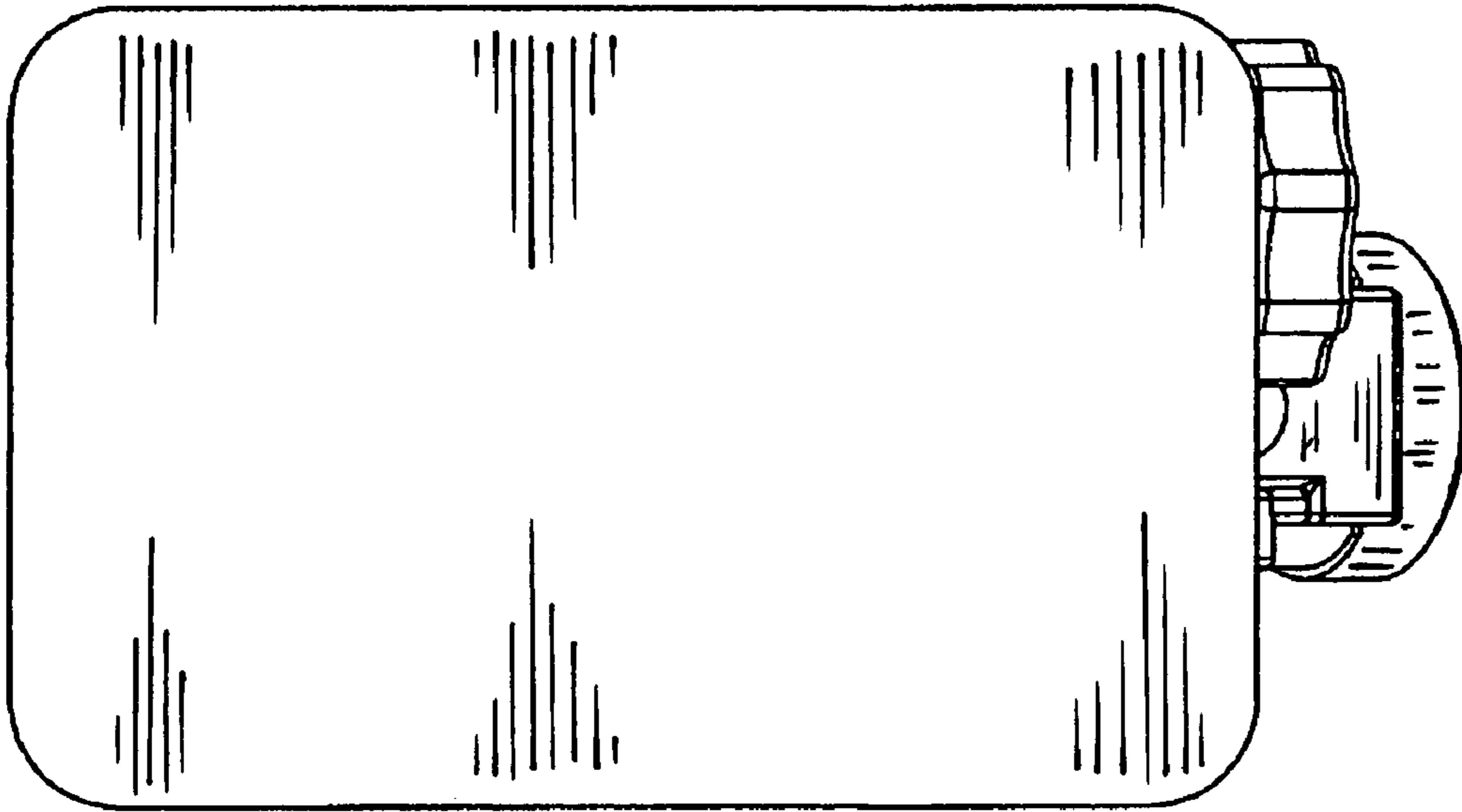
FIG. 4



*FIG. 5*



**FIG. 6**



**FIG. 7**