



US00D569573S

(12) **United States Design Patent**
Hyp et al.

(10) **Patent No.:** **US D569,573 S**

(45) **Date of Patent:** **** May 20, 2008**

(54) **POUR-SPOUT WHEELBARROW TRAY**

(75) Inventors: **Eric D. Hyp**, Harrisburg, PA (US);
Barry R. Albert, Dillsburg, PA (US)

(73) Assignee: **Ames True Temper, Inc.**, Camp Hill,
PA (US)

(**) Term: **14 Years**

(21) Appl. No.: **29/289,991**

(22) Filed: **Aug. 9, 2007**

(51) **LOC (8) Cl.** **12-02**

(52) **U.S. Cl.** **D34/27; D34/16**

(58) **Field of Classification Search** D34/12-27;
280/47.12, 47.17, 47.26, 47.27, 47.2, 47.18,
280/47.23, 47.24, 47.34, 652, 653; D7/691;
294/55

See application file for complete search history.

(56) **References Cited**

U.S. PATENT DOCUMENTS

264,637	A *	9/1882	Devey	280/47.12
273,225	A *	2/1883	Clark	280/47.12
605,316	A *	6/1898	Kneeland	280/43.24
977,056	A *	11/1910	Verplanck	280/47.23
1,015,024	A *	1/1912	Hubbard	280/47.31
2,240,585	A *	5/1941	Taylor	298/3
2,247,083	A *	6/1941	Garlinghouse	280/47.12
D183,179	S *	7/1958	Pasin	D34/24
2,889,152	A *	6/1959	Hurst et al.	280/47.26
D274,776	S *	7/1984	Molloy et al.	D7/691

D329,726	S *	9/1992	Loveless	D34/16
D352,869	S *	11/1994	Lathrop	D7/691
5,918,922	A *	7/1999	Lathrop et al.	294/55
D490,584	S	5/2004	Stark et al.		
D528,728	S *	9/2006	Link	D34/16
D535,451	S *	1/2007	Lim	D34/16
2003/0006570	A1 *	1/2003	Baker	280/47.17

* cited by examiner

Primary Examiner—Cynthia E Ramirez

(74) *Attorney, Agent, or Firm*—David C. Jenkins; Eckert
Seamans Cherin & Mellott, LLC

(57) **CLAIM**

The ornamental design for a pour-spout wheelbarrow tray, as shown and described.

DESCRIPTION

FIG. 1 is an isometric view of the pour-spout wheelbarrow tray showing our new design;

FIG. 2 is a front view of the pour-spout wheelbarrow tray;

FIG. 3 is a rear view of the pour-spout wheelbarrow tray;

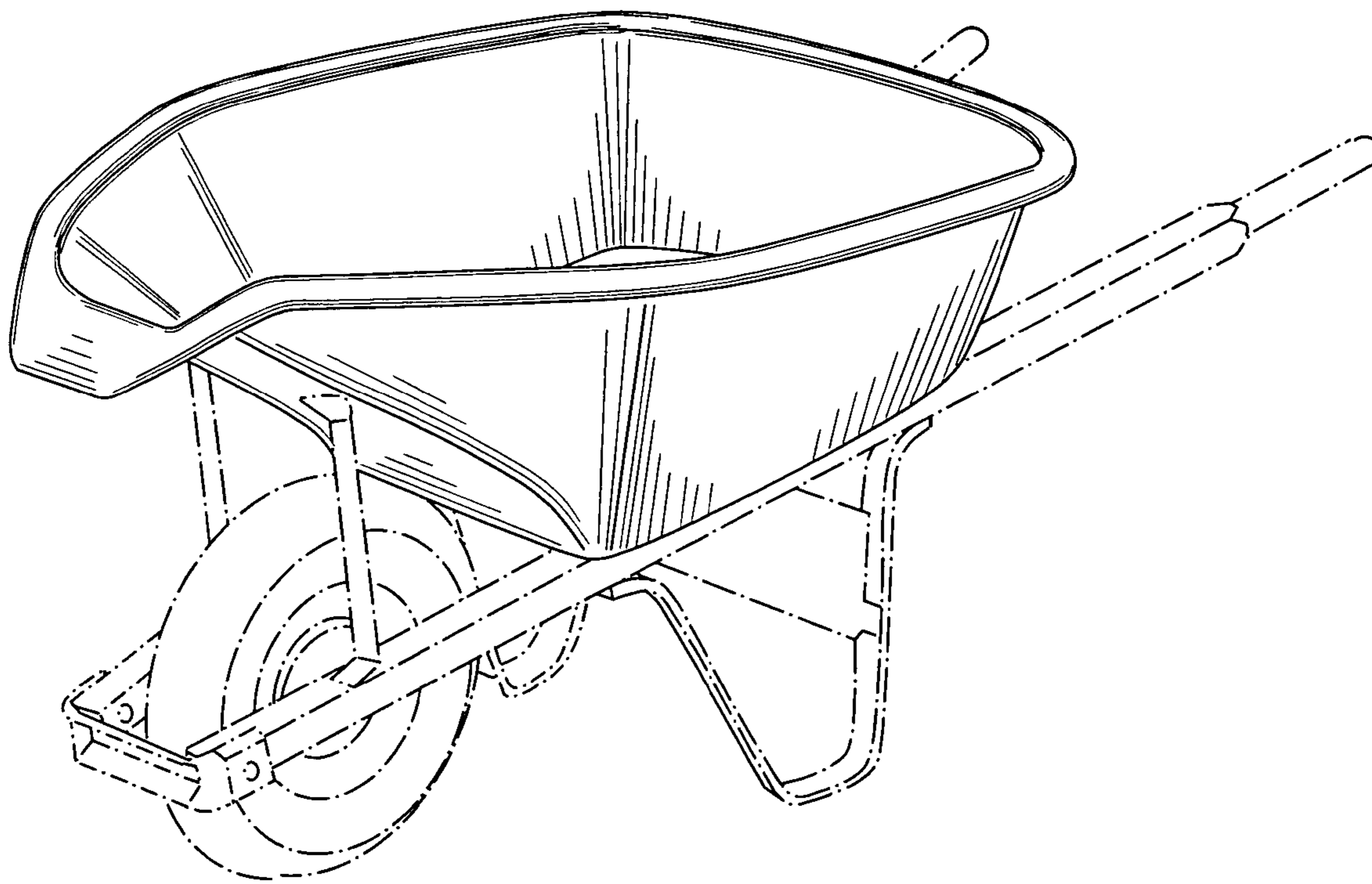
FIG. 4 is a top view of the pour-spout wheelbarrow tray;

FIG. 5 is a bottom view of the pour-spout wheelbarrow tray;

FIG. 6 is a left-side view of the pour-spout wheelbarrow tray; and,

FIG. 7 is a right-side view of the pour-spout wheelbarrow tray.

1 Claim, 5 Drawing Sheets



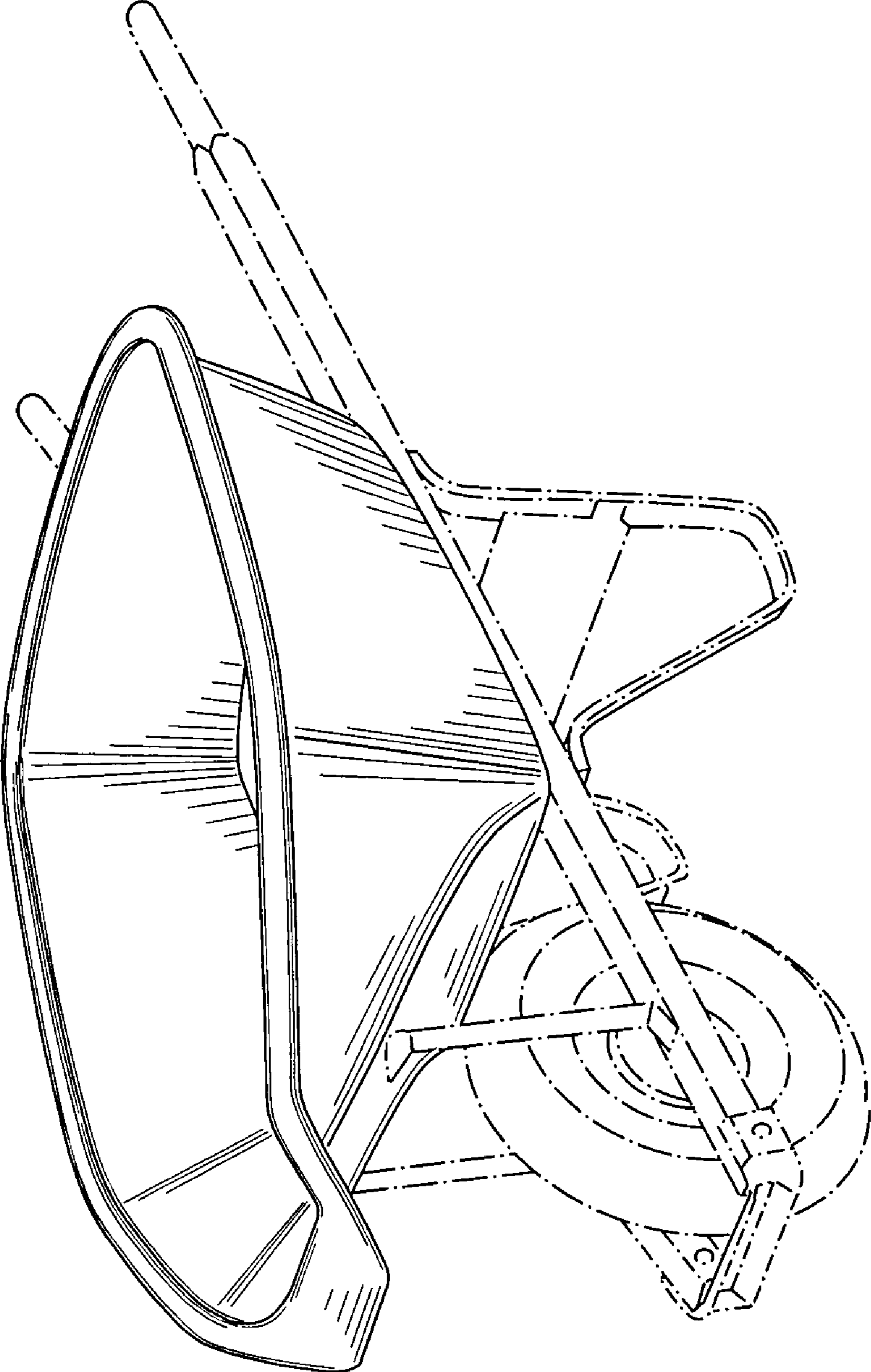


FIG. 1

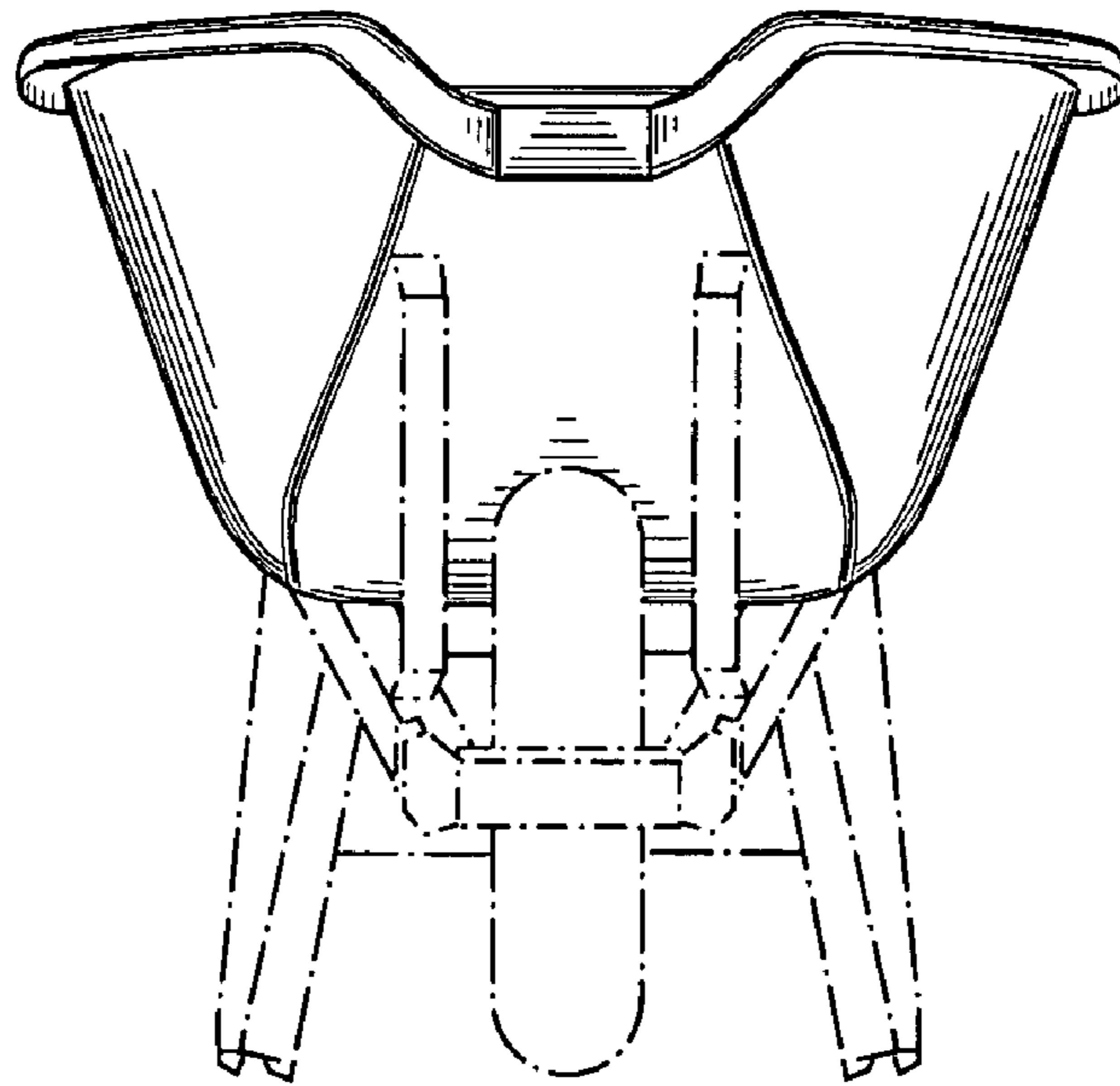


FIG. 2

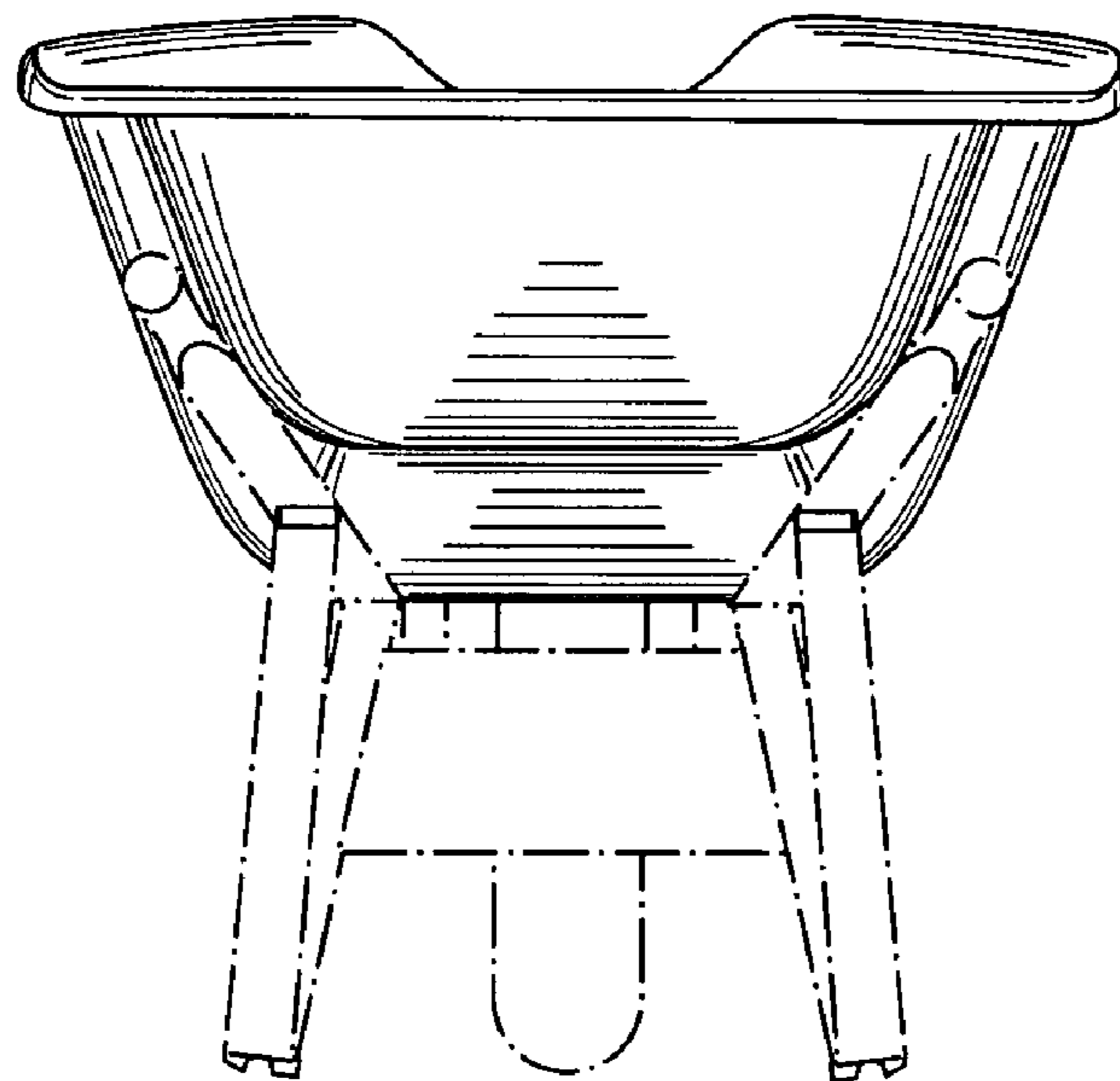


FIG. 3

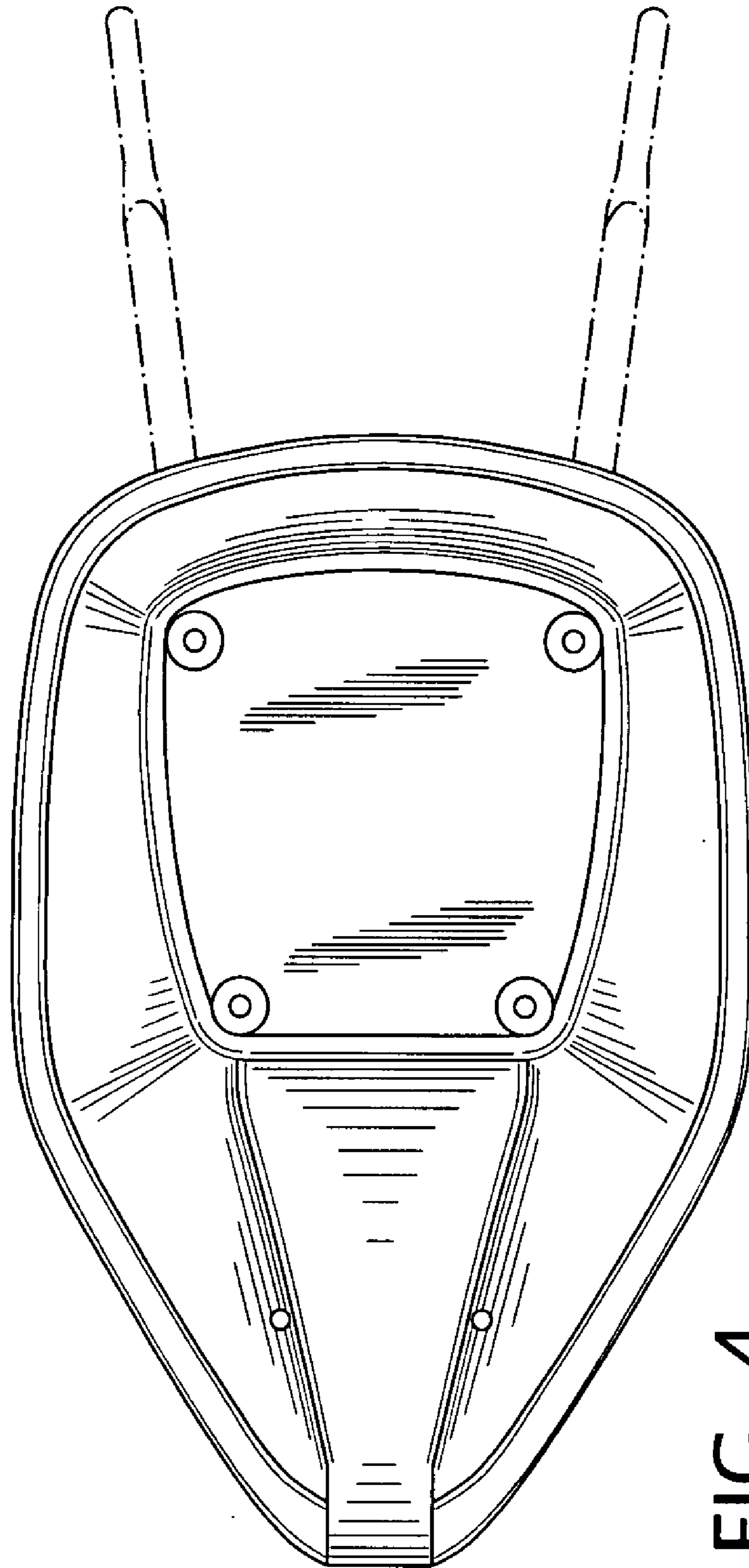


FIG. 4

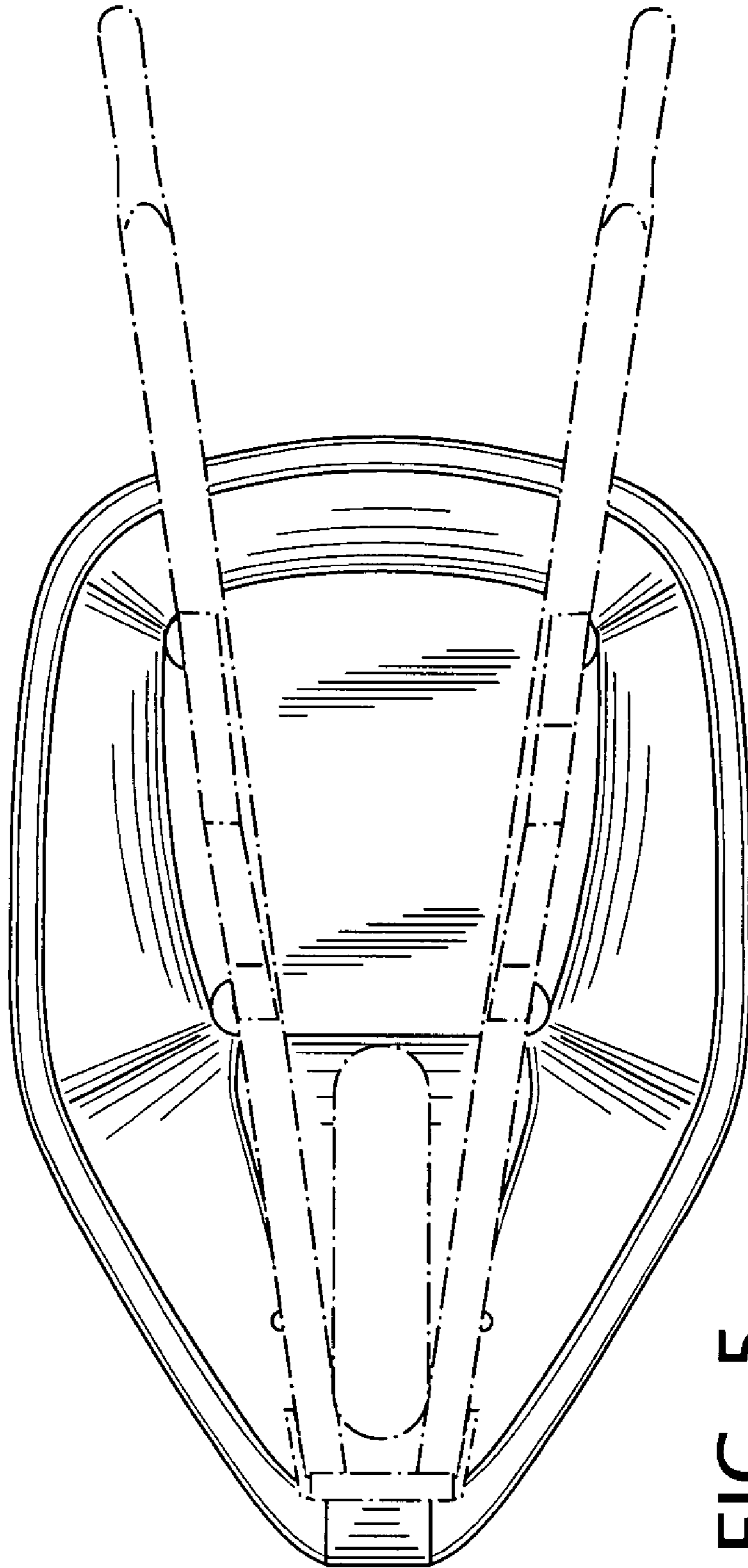


FIG. 5

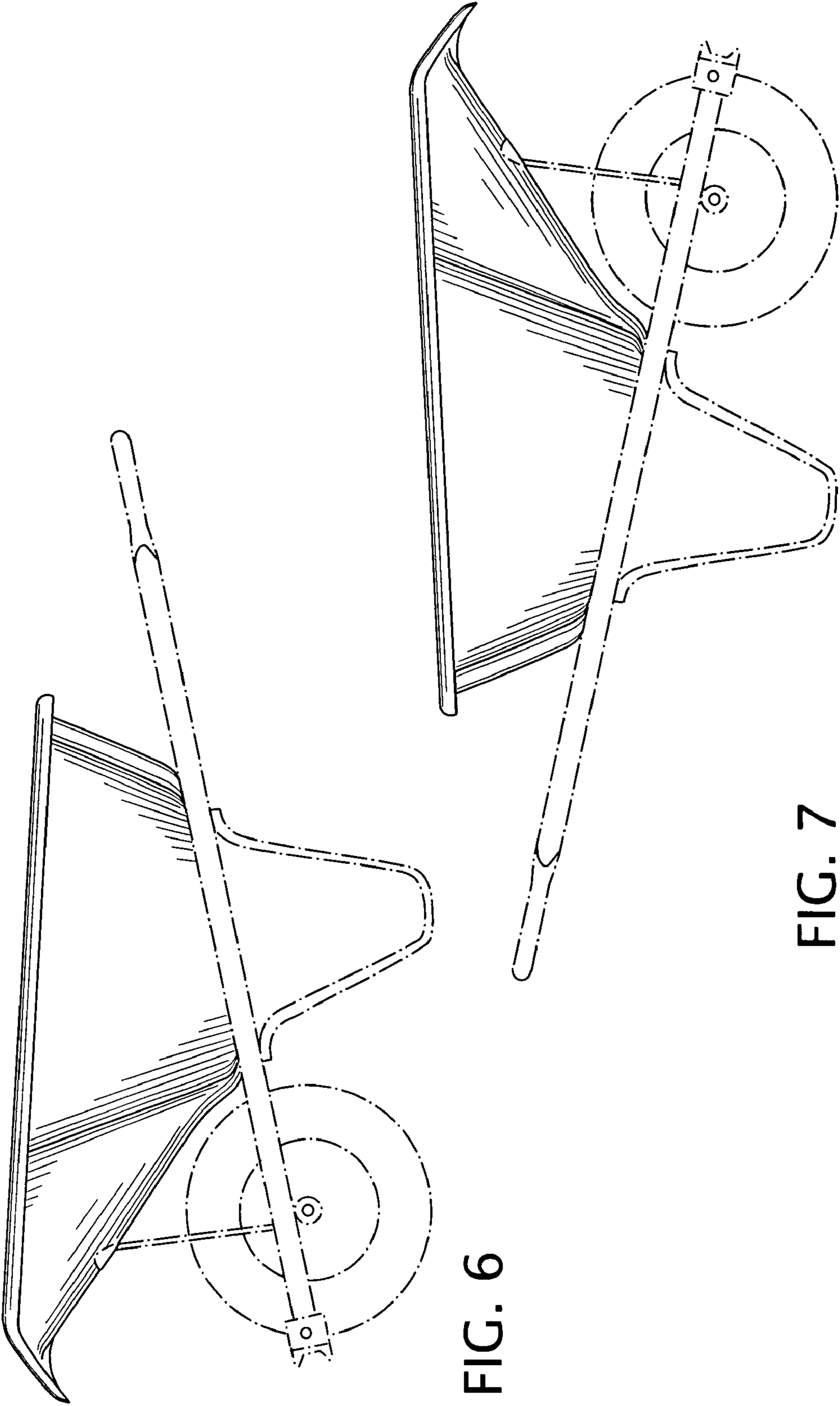


FIG. 6

FIG. 7