

US00D569571S

(12) **United States Design Patent**  
**Irfan**

(10) **Patent No.:** **US D569,571 S**

(45) **Date of Patent:** **\*\* May 20, 2008**

(54) **KITCHEN EQUIPMENT CART**

(75) Inventor: **Nuri Coskun Irfan**, Bursa (TR)

(73) Assignee: **Evinoks Servis Ekipmanlari Sanayi Ve Ticaret Anonim Sirketi**, Bursa (TR)

(\*\*) Term: **14 Years**

(21) Appl. No.: **29/277,160**

(22) Filed: **Feb. 16, 2007**

(51) **LOC (8) Cl.** ..... **12-02**

(52) **U.S. Cl.** ..... **D34/17**

(58) **Field of Classification Search** ..... D34/12-27;  
280/47.24, 47.19, 47.35; D6/422, 478, 464  
See application file for complete search history.

(56) **References Cited**

**U.S. PATENT DOCUMENTS**

D51,943 S \* 4/1918 Von Carlsberg ..... D34/18  
D187,653 S \* 4/1960 Warshawsky ..... D34/18  
3,834,725 A \* 9/1974 Luoni ..... 280/79.2

5,290,058 A \* 3/1994 Adams et al. .... 280/651  
D424,267 S \* 5/2000 Lin ..... D34/24  
D487,604 S \* 3/2004 Van Landingham, Jr. .... D34/12  
D493,019 S \* 7/2004 Lovegrove et al. .... D34/17

\* cited by examiner

*Primary Examiner*—Cynthia E Ramirez

(74) *Attorney, Agent, or Firm*—Egbert Law Offices

(57) **CLAIM**

I claim the ornamental design for a kitchen equipment cart, as shown and described.

**DESCRIPTION**

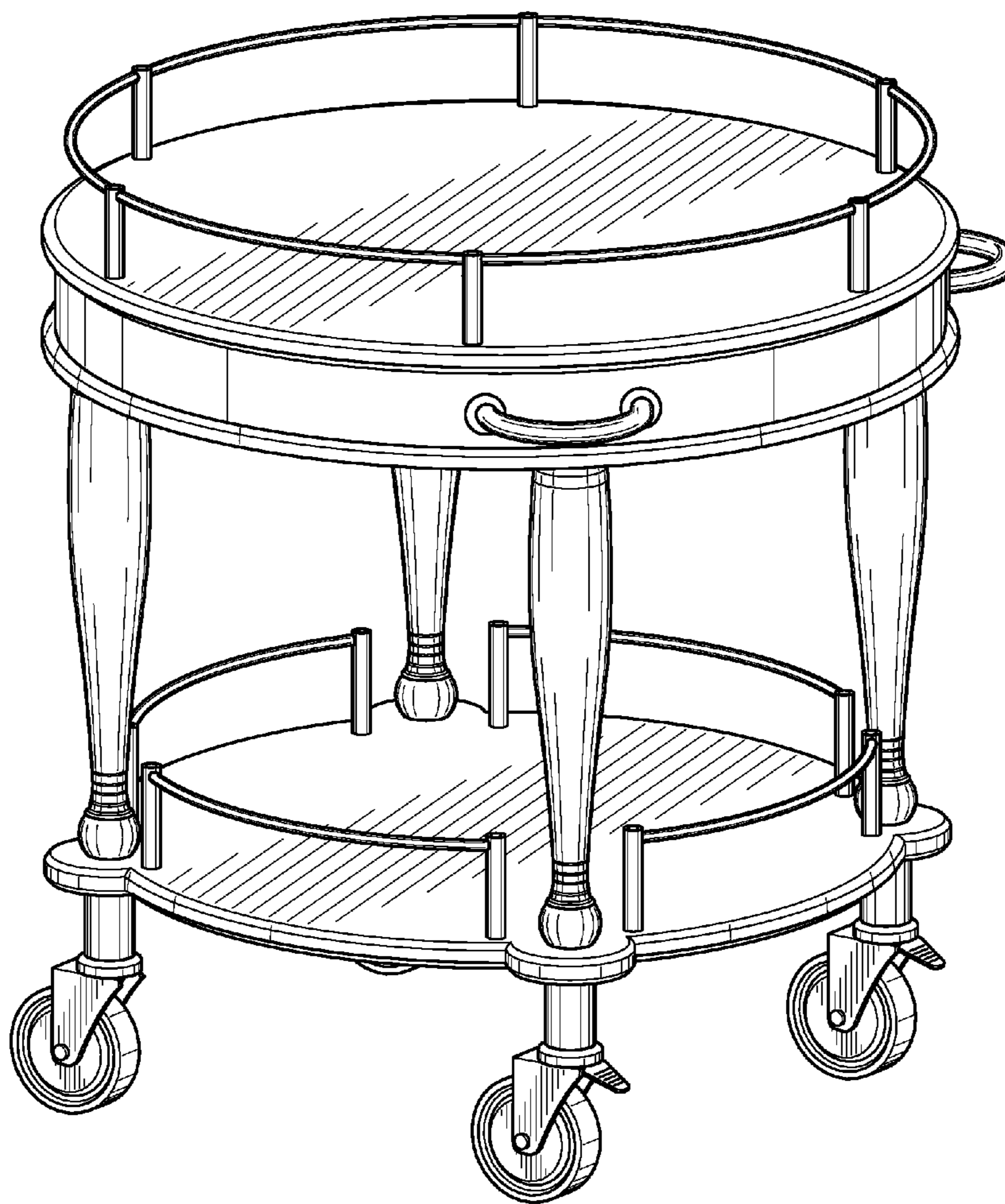
FIG. 1 is an upper perspective view of the kitchen equipment cart showing my design.

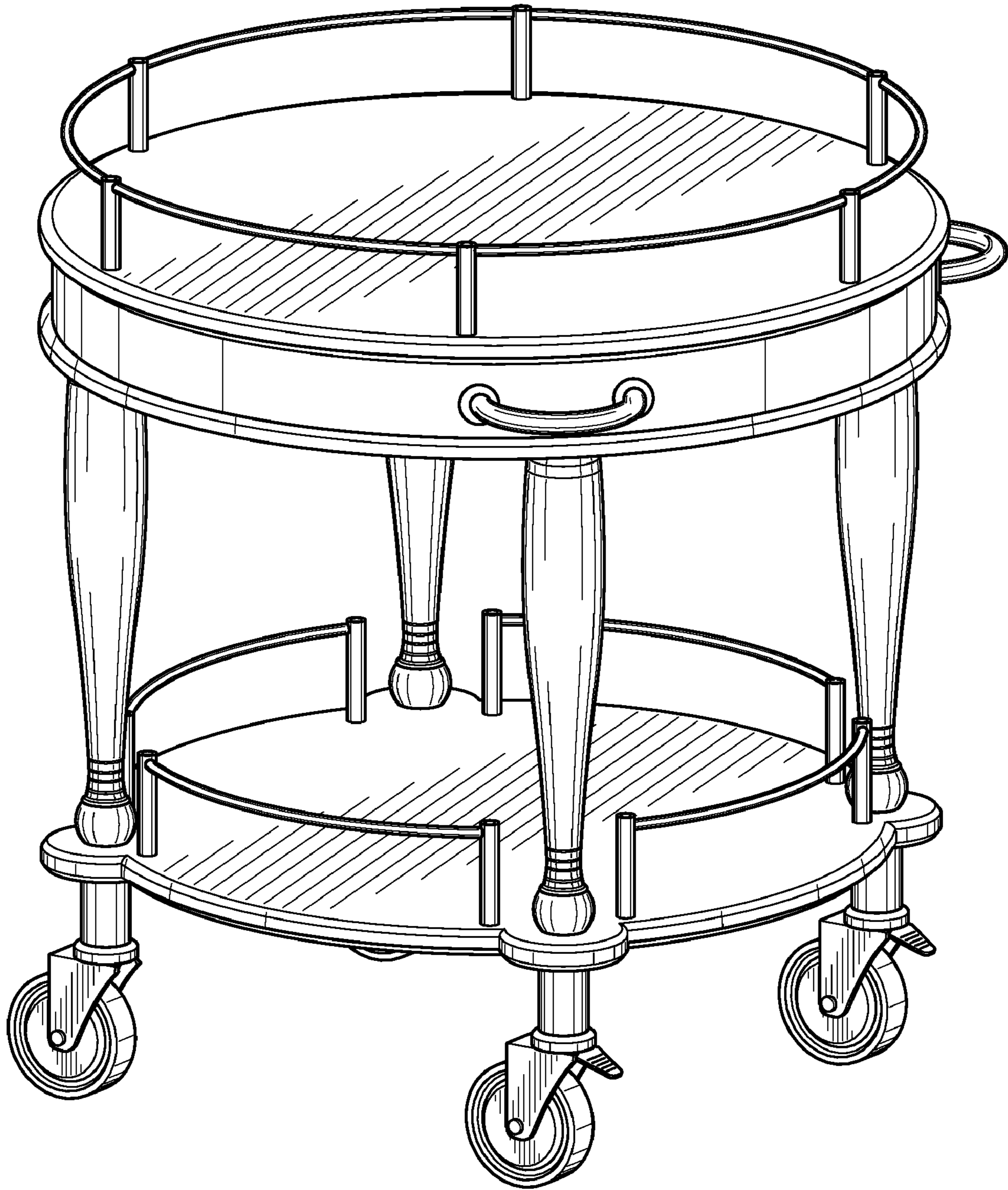
FIG. 2 is a top plan view thereof;

FIG. 3 is a front elevation view thereof; and,

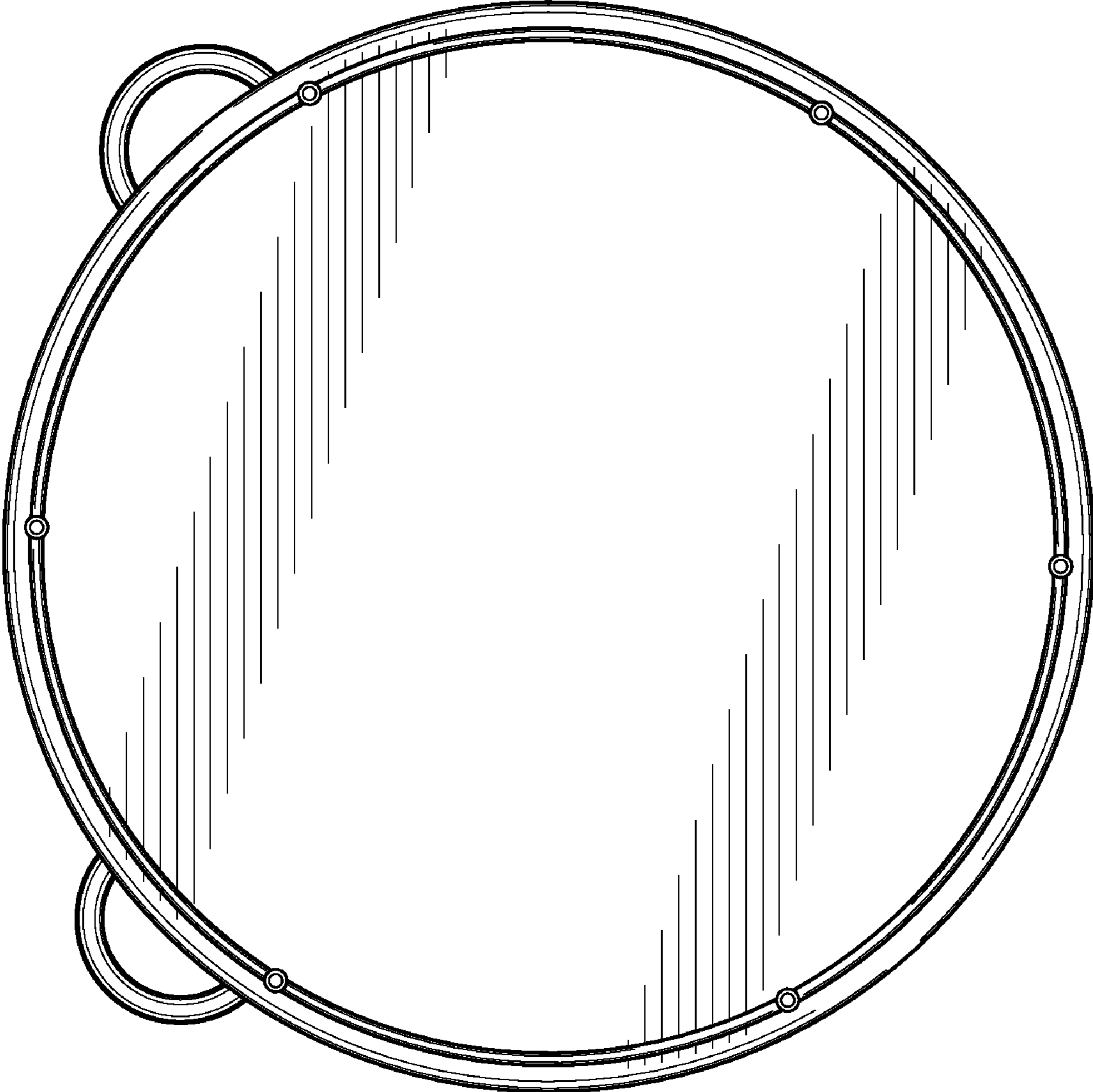
FIG. 4 is a side elevation view thereof.

**1 Claim, 4 Drawing Sheets**





*FIG. 1*



*FIG. 2*

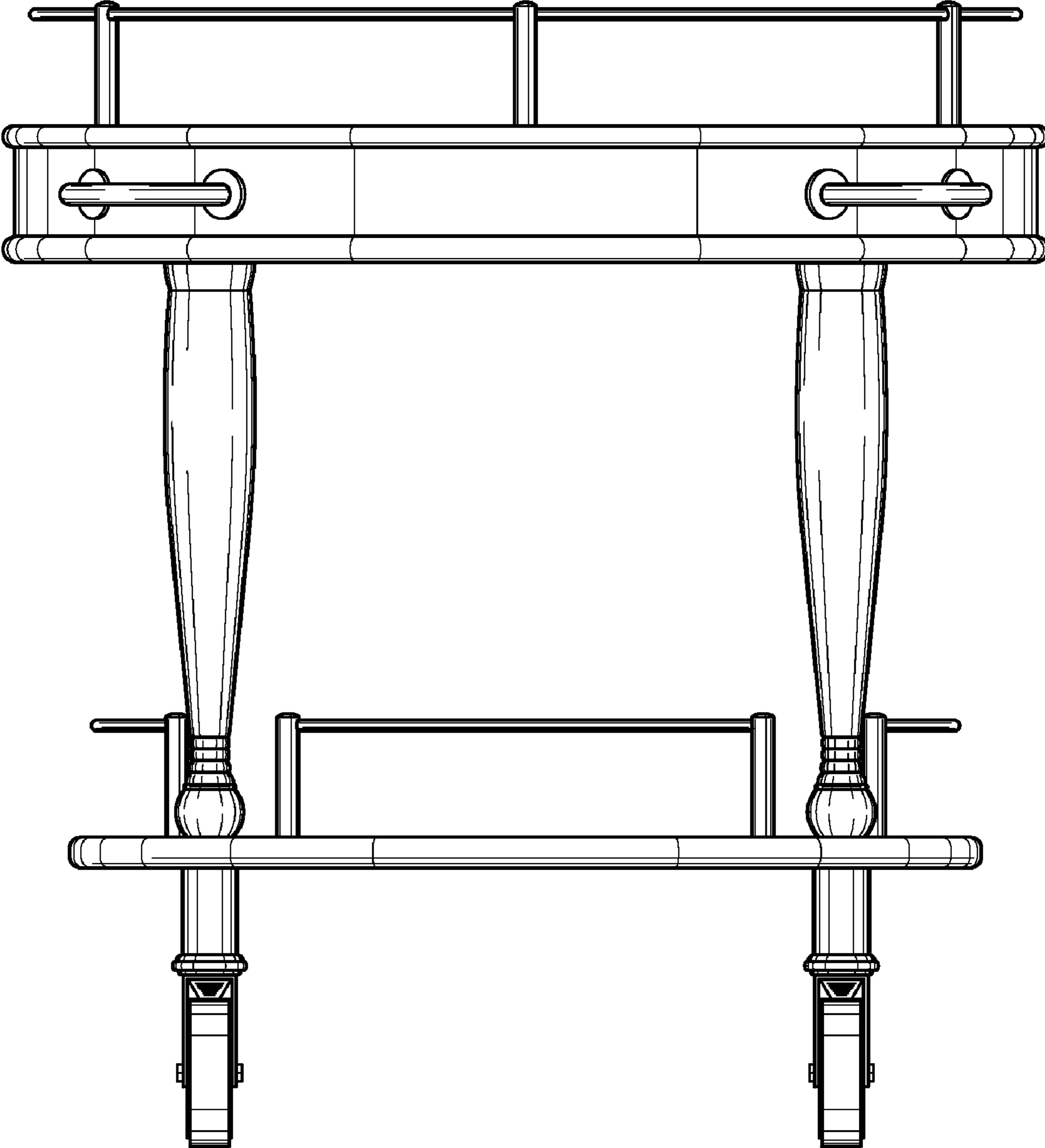


FIG. 3

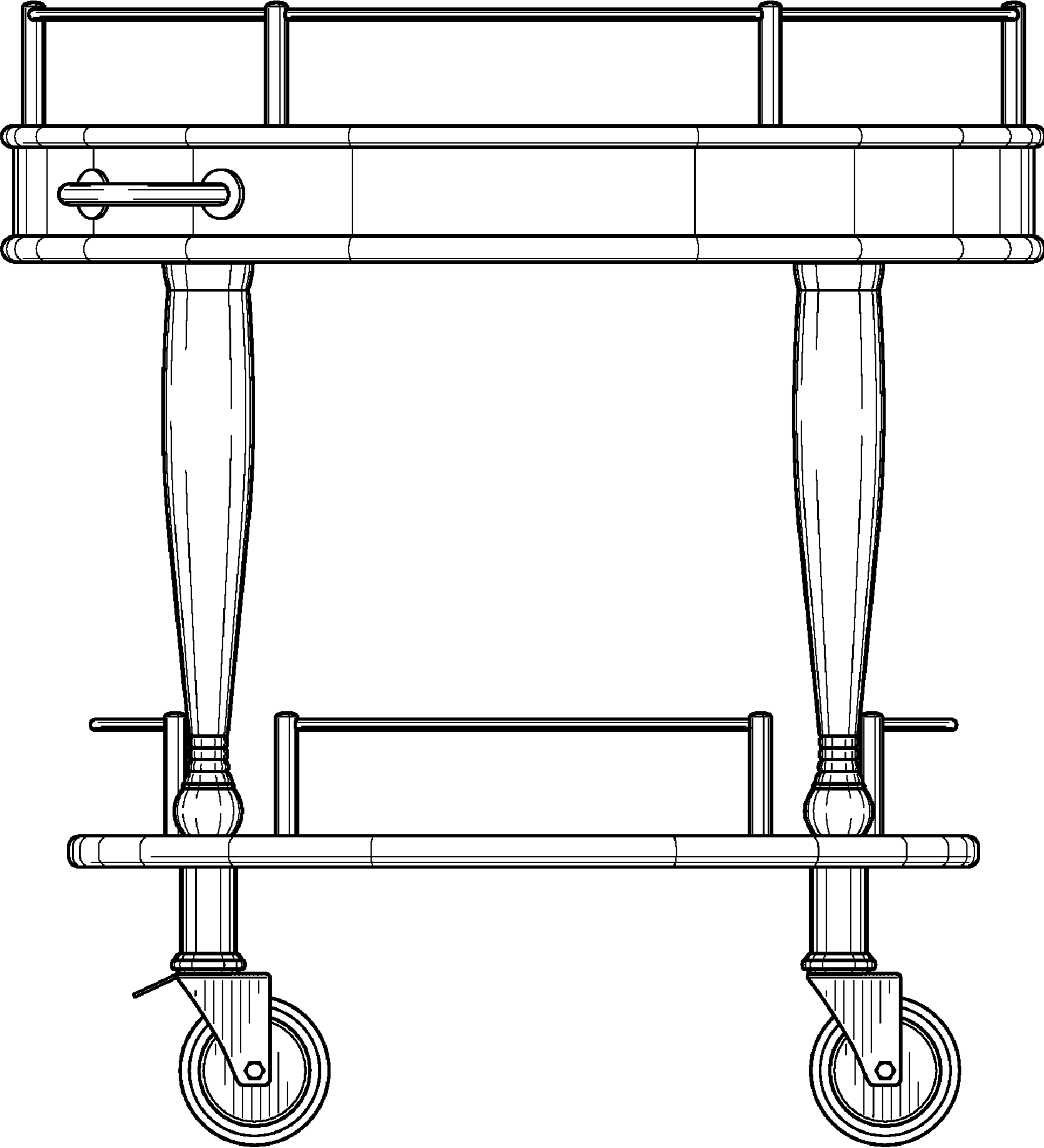


FIG. 4