



US00D569568S

(12) **United States Design Patent**  
**Blanchard**

(10) **Patent No.:** **US D569,568 S**

(45) **Date of Patent:** **\*\* May 20, 2008**

(54) **PAINT TRAY COVER**

D518,265 S \* 3/2006 Prokop et al. .... D32/53.1  
D537,718 S \* 3/2007 Gomoll et al. .... D9/452

(76) Inventor: **Normand M. Blanchard**, 79, rue  
Jeanne D'Arc, Gatineau, Quebec (CA)  
J8Y 2H5

\* cited by examiner

*Primary Examiner*—Pamela J. Burgess  
(74) *Attorney, Agent, or Firm*—George A. Seaby

(\*\*) Term: **14 Years**

(21) Appl. No.: **29/266,697**

(57) **CLAIM**

(22) Filed: **Sep. 27, 2006**

The ornamental design for a paint tray cover, as shown and described.

(51) **LOC (8) Cl.** ..... **07-07**

(52) **U.S. Cl.** ..... **D32/53.1**

(58) **Field of Classification Search** ..... D32/53,  
D32/53.1, 54; D9/435, 449; 220/697, 254.1–254.2,  
220/212, 200, 351, 357.1, 397, 784, 792–793  
See application file for complete search history.

**DESCRIPTION**

FIG. 1 is a perspective view of the paint tray cover as seen from above and one end;

FIG. 2 is a top elevational view thereof;

FIG. 3 is a bottom elevational view thereof;

FIG. 4 is a side elevational view thereof, the other side being the mirror image thereof; and,

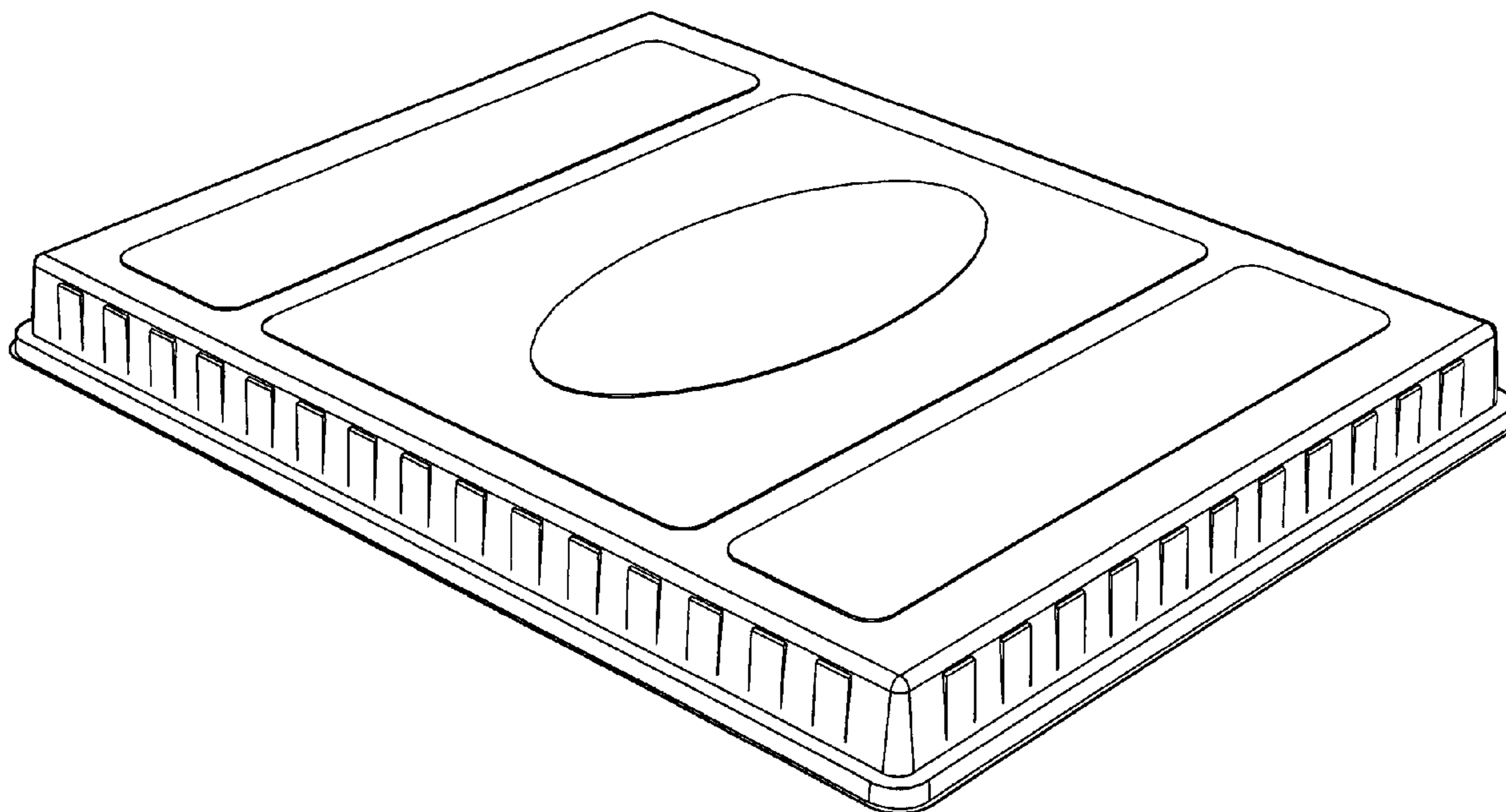
FIG. 5 is an end elevational view thereof, the other end being the mirror image thereof.

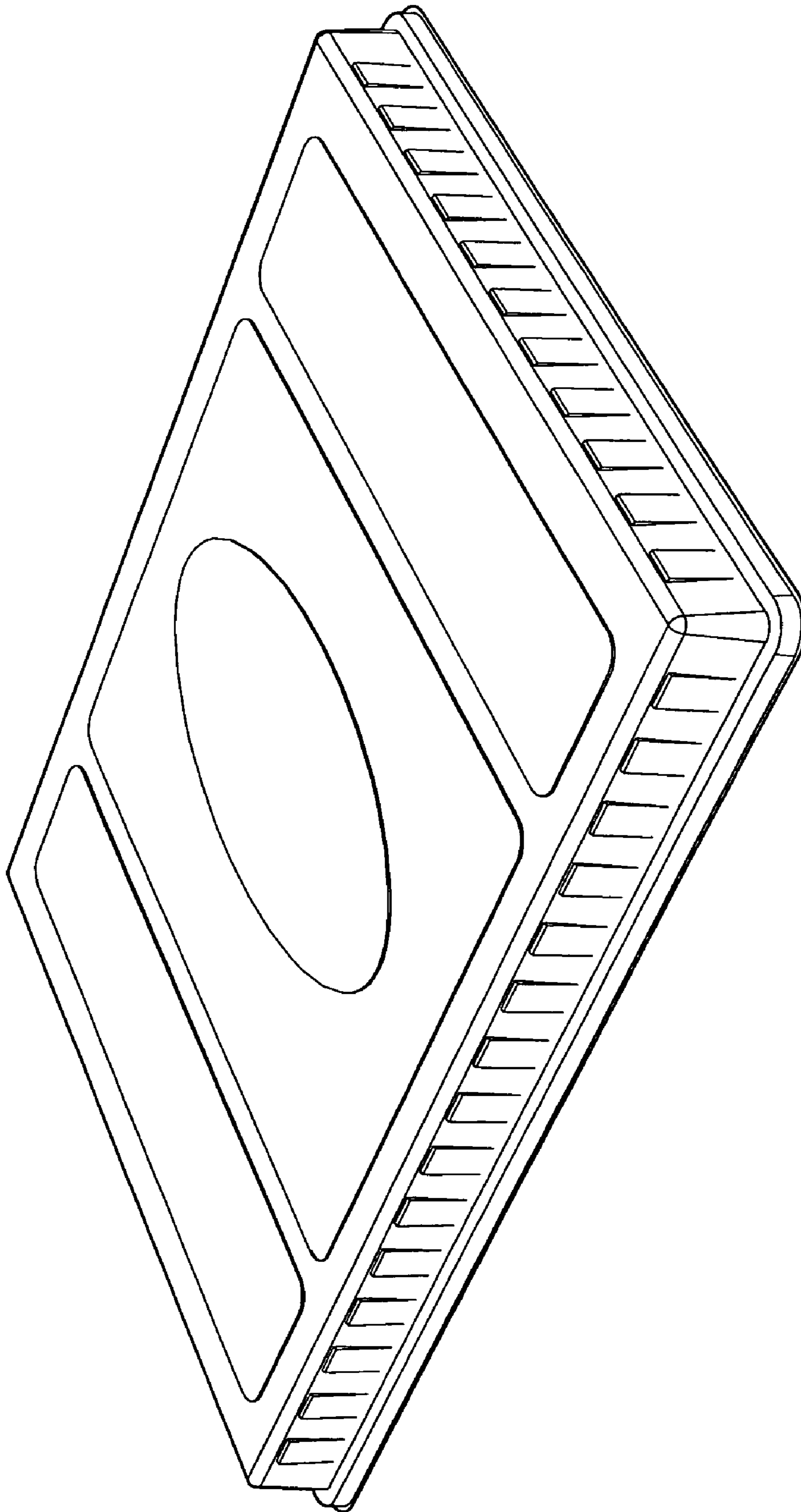
(56) **References Cited**

U.S. PATENT DOCUMENTS

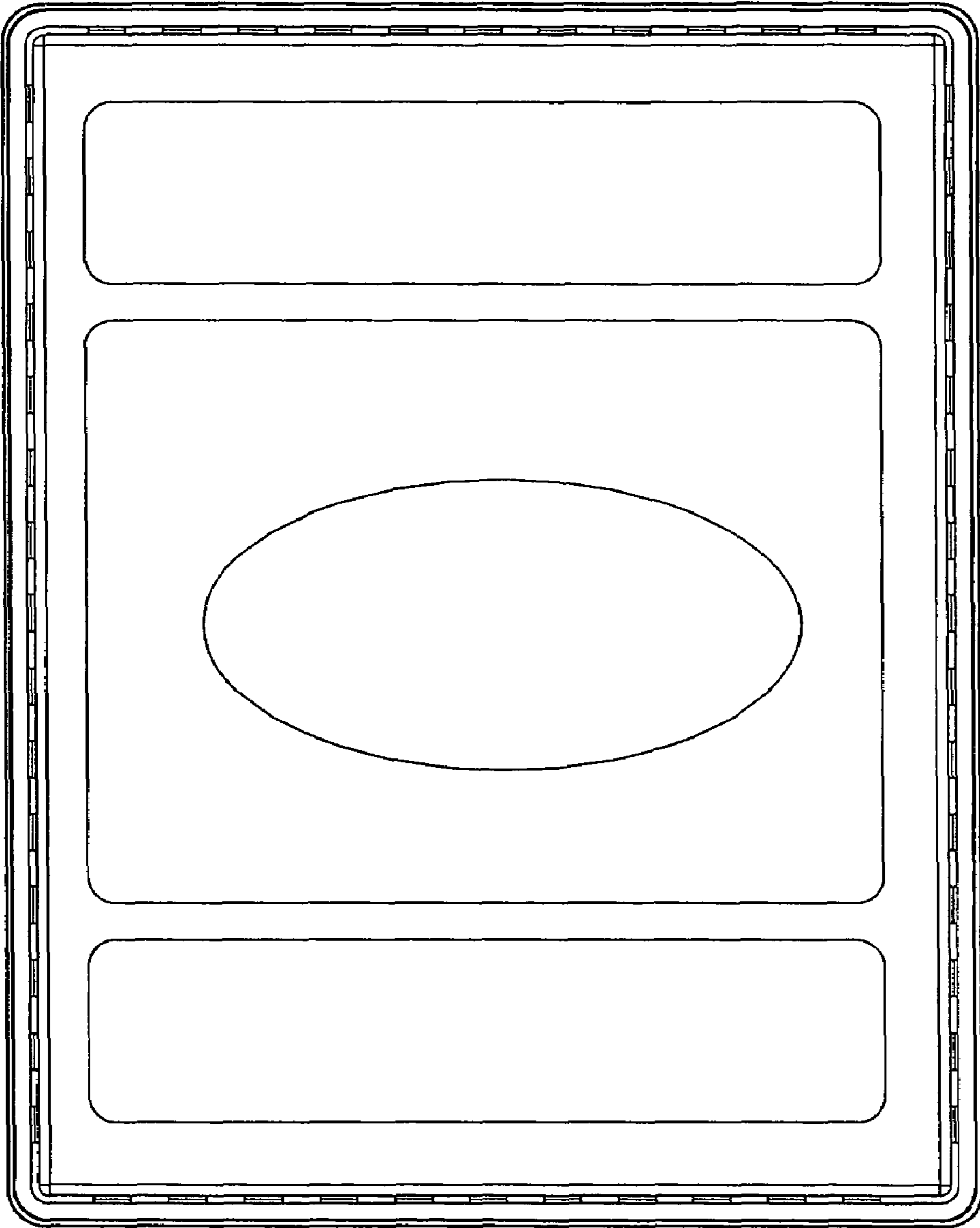
D313,353 S \* 1/1991 Hart et al. .... D32/53.1  
D426,925 S \* 6/2000 Axhamre ..... D32/53  
D467,398 S \* 12/2002 Kohn ..... D32/53.1  
6,622,884 B1 \* 9/2003 Gartner ..... 220/570

**1 Claim, 4 Drawing Sheets**

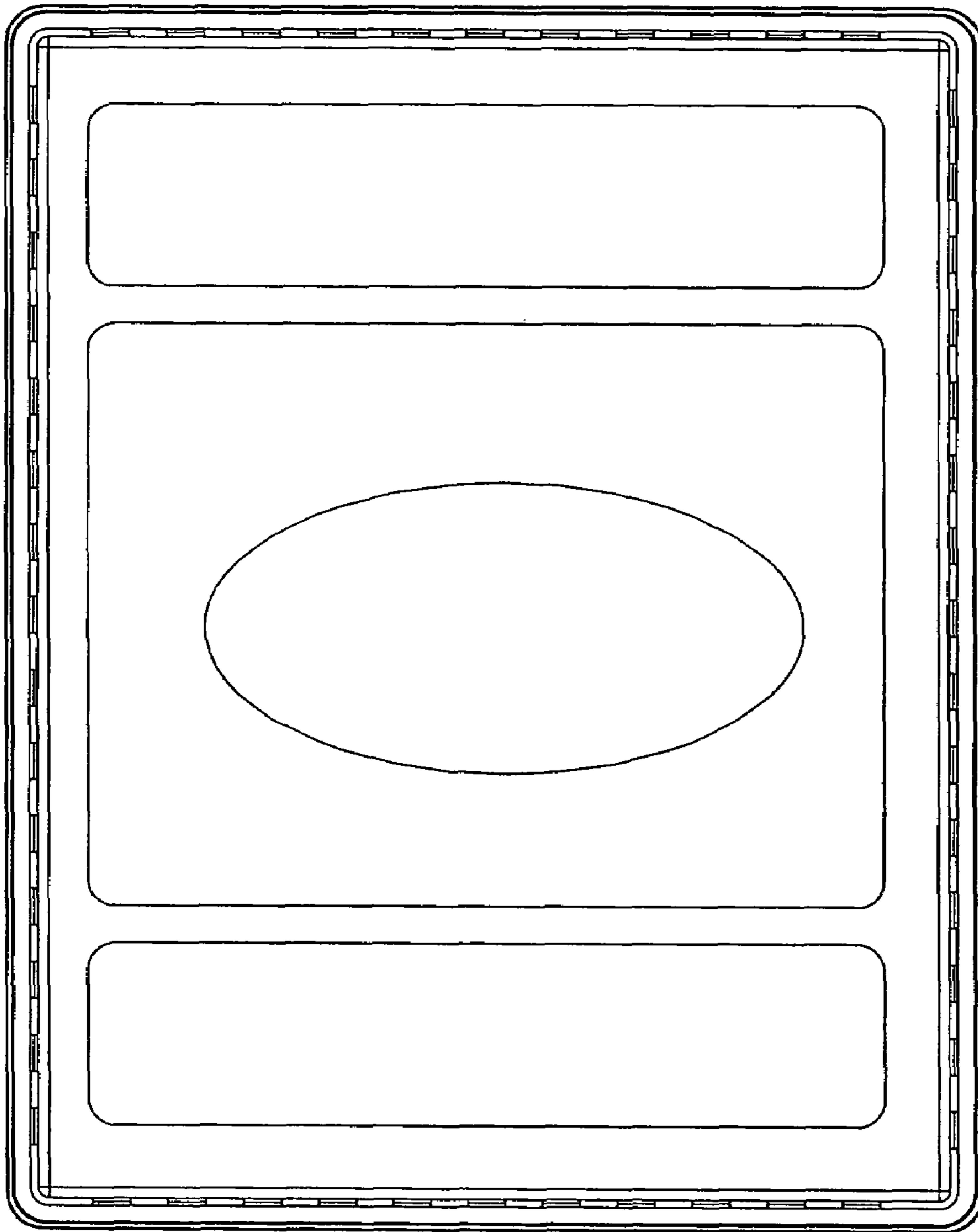




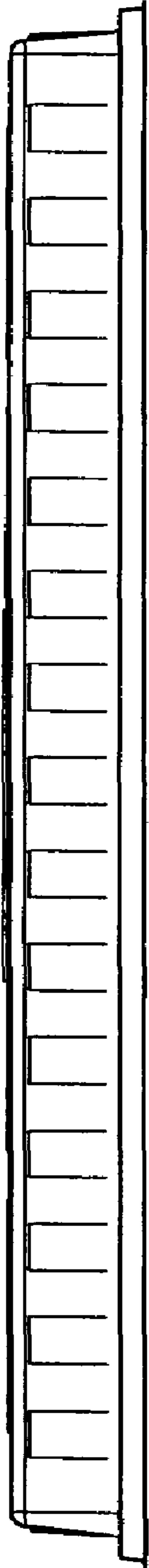
*FIG. 1*



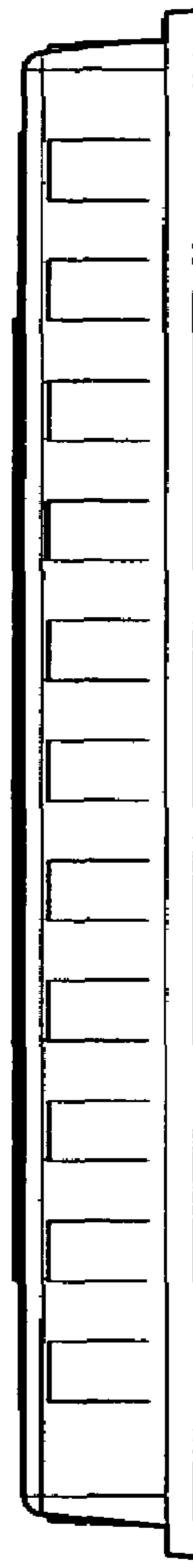
*FIG. 2*



*FIG. 3*



*FIG. 4*



*FIG. 5*