



US00D569567S

(12) **United States Design Patent**
Kohn

(10) **Patent No.:** **US D569,567 S**

(45) **Date of Patent:** **** May 20, 2008**

(54) **COMBINED TRAY AND LINER THEREFOR**

(76) Inventor: **Peter Kohn**, 144-10 70th Ave.,
Flushing, NY (US) 11367

(**) Term: **14 Years**

(21) Appl. No.: **29/231,036**

(22) Filed: **May 31, 2005**

(51) **LOC (8) Cl.** **07-07**

(52) **U.S. Cl.** **D32/53.1**

(58) **Field of Classification Search** D32/53.1,
D32/54-55; D9/424, 429; 15/257.05, 257.06,
15/237; 220/570-571, 623, 759; 229/929,
229/406-407

See application file for complete search history.

(56) **References Cited**

U.S. PATENT DOCUMENTS

2,922,176	A *	1/1960	Bernhardt	15/257.06
2,977,624	A *	4/1961	Tarr	15/257.06
3,157,902	A *	11/1964	Hardwick	15/257.06
D223,864	S *	6/1972	Vines	D32/53.1
D302,614	S *	8/1989	Beatty	D32/53.1
D332,512	S *	1/1993	Bernard	D32/53.1
5,509,169	A *	4/1996	Drucker	15/257.06
D371,876	S *	7/1996	Albert et al.	D32/53.1
D400,329	S *	10/1998	Lindo	D32/53.1

D444,604	S *	7/2001	Hoffert et al.	D32/53.1
D461,288	S *	8/2002	Tennant	D32/53.1
6,431,392	B1 *	8/2002	Eisenbeisz	220/759
6,622,340	B2 *	9/2003	Rosa	15/257.06

* cited by examiner

Primary Examiner—Pamela J. Burgess

(74) *Attorney, Agent, or Firm*—Goldstein Law Offices PC

(57) **CLAIM**

The ornamental design for a combined tray and liner therefor, as shown and described.

DESCRIPTION

FIG. 1 is a perspective view of the combined tray and liner therefor in full lines.

FIG. 2 is a top plan view of the combined tray and liner therefor.

FIG. 3 is a right side elevational view thereof.

FIG. 4 is a left side elevational view thereof.

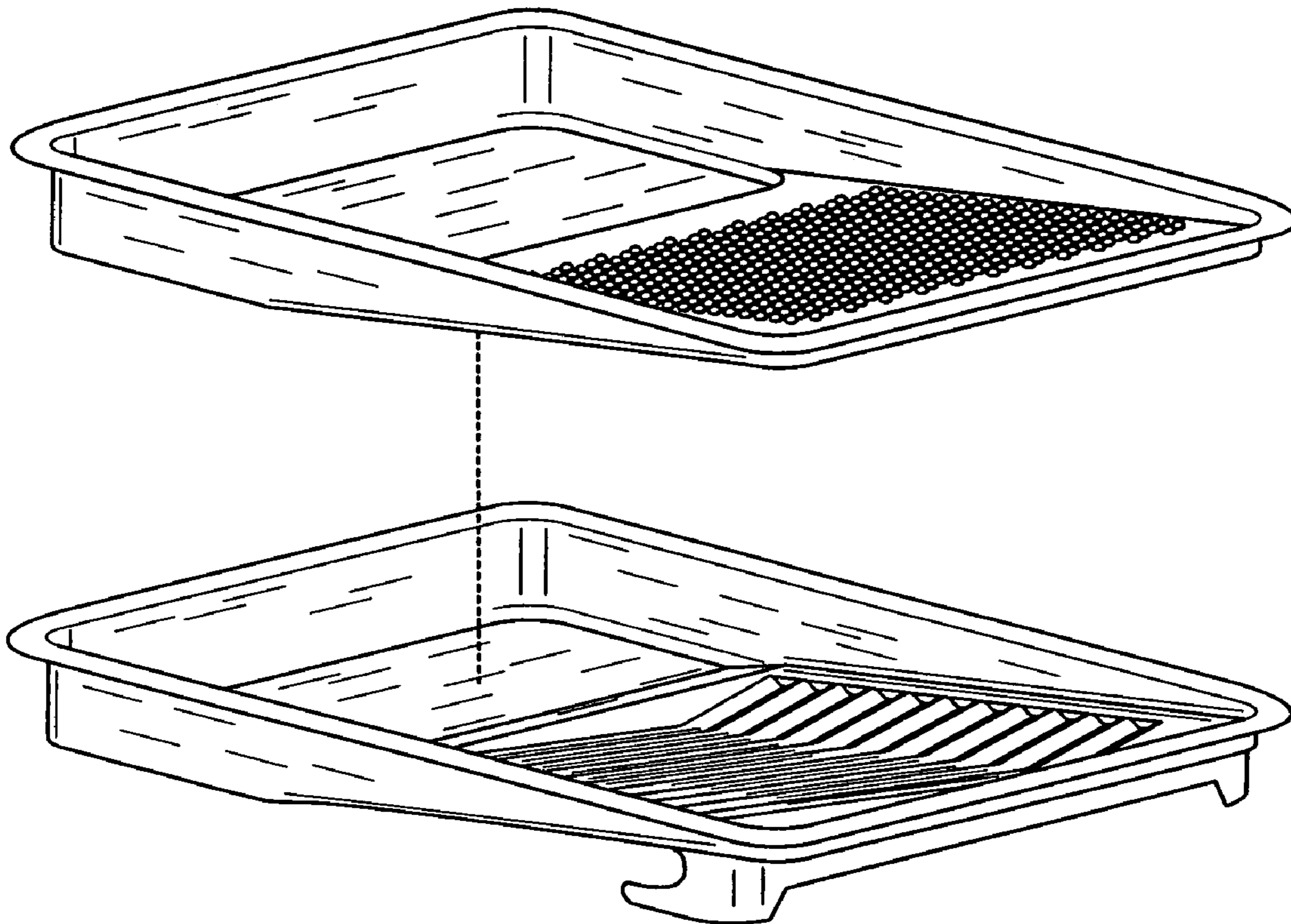
FIG. 5 is a front elevational view thereof.

FIG. 6 is a rear elevational view thereof.

FIG. 7 is a bottom plan view thereof; and,

FIG. 8 is a perspective view thereof, showing the combined tray and liner insert therefor.

1 Claim, 6 Drawing Sheets



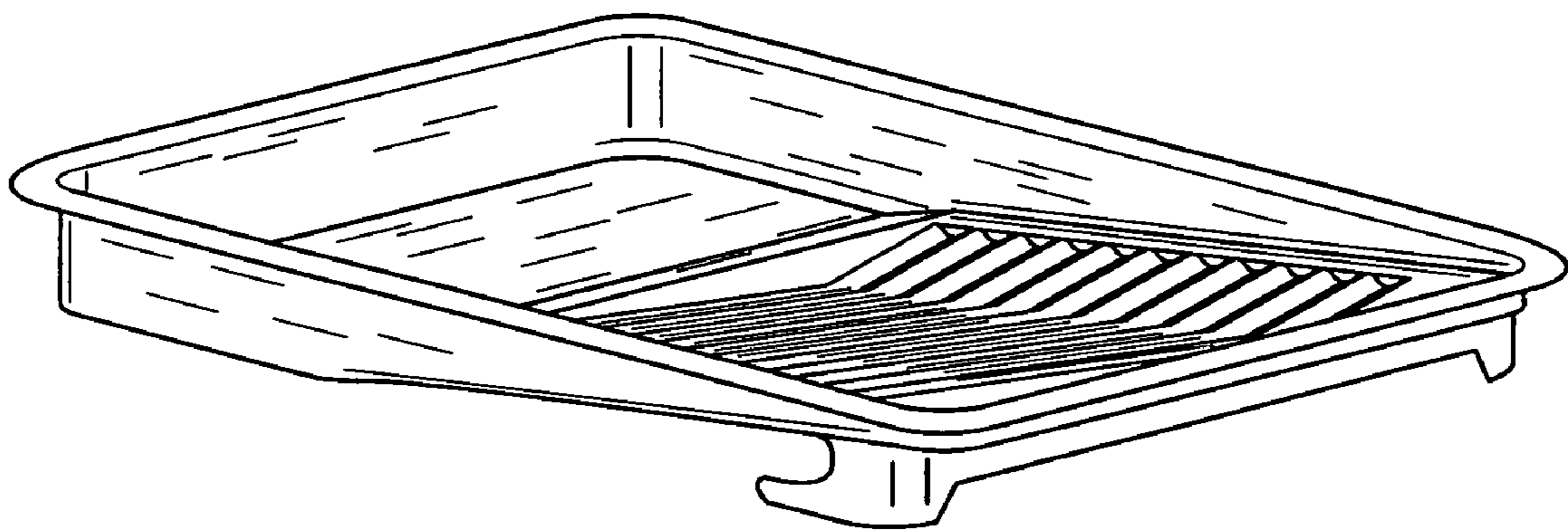


FIG. 1

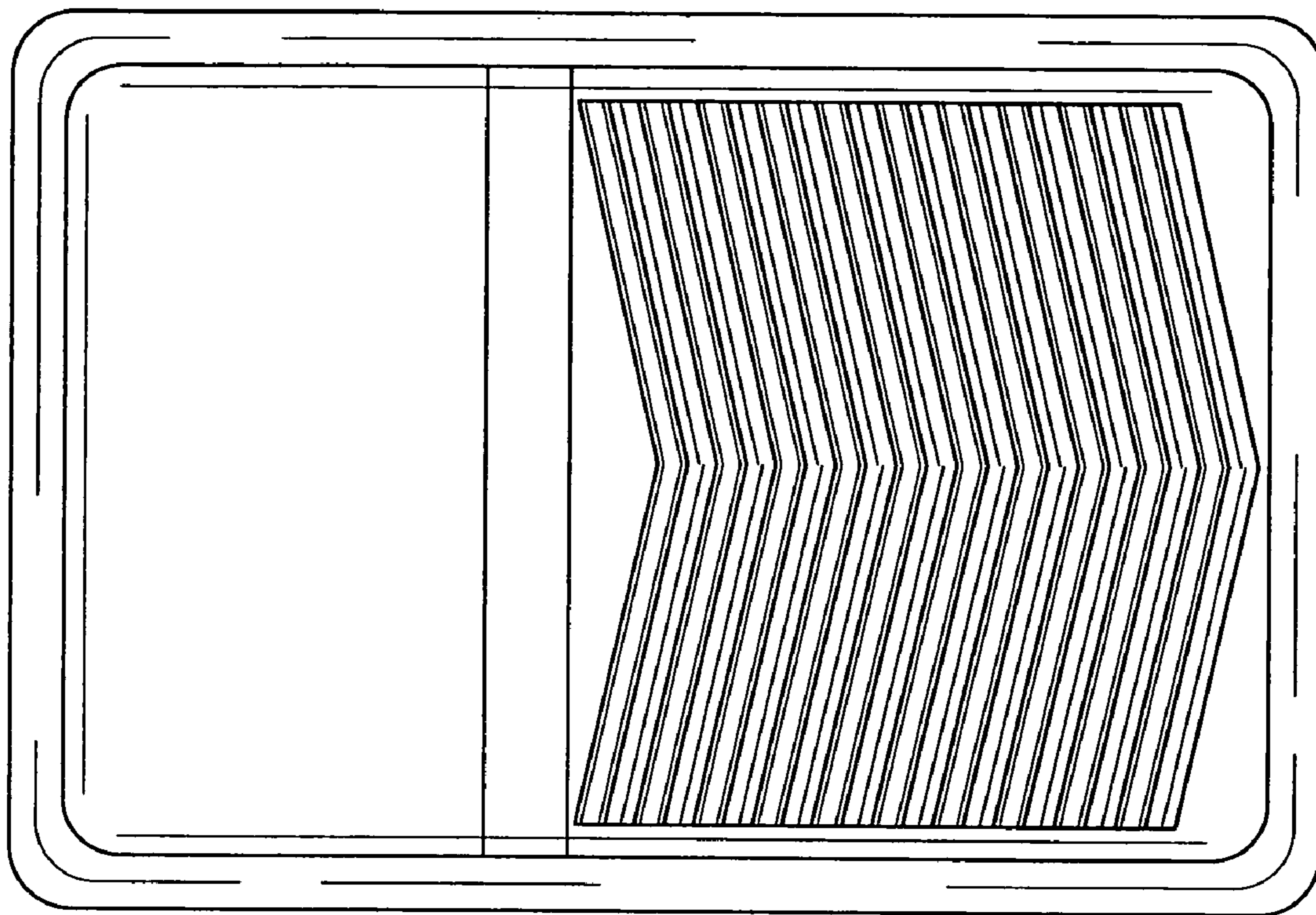


FIG. 2

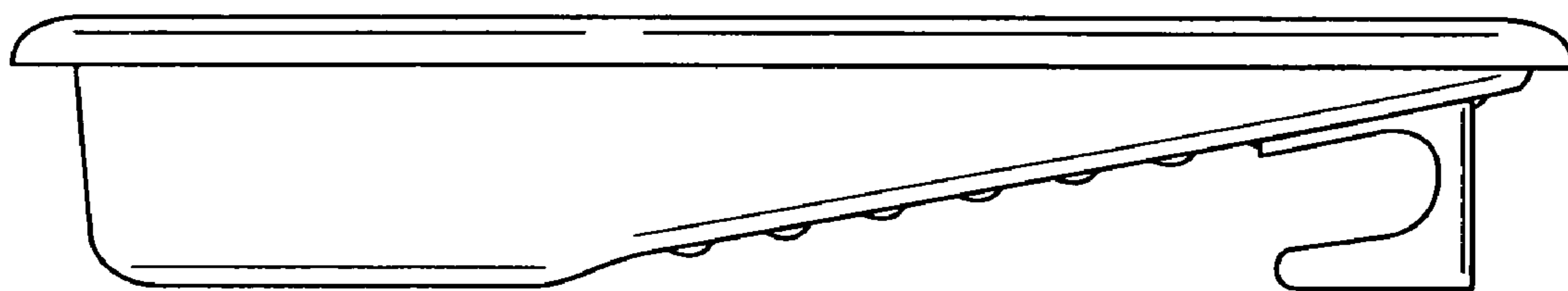


FIG. 3

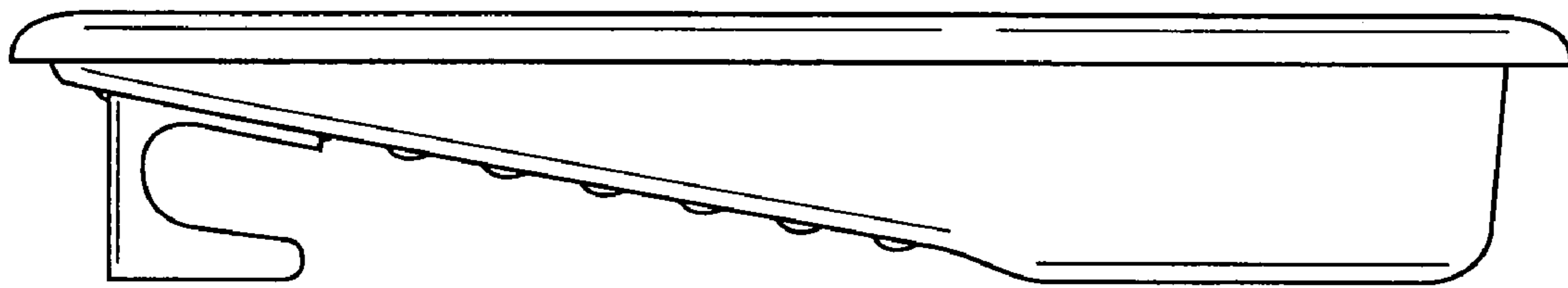


FIG. 4

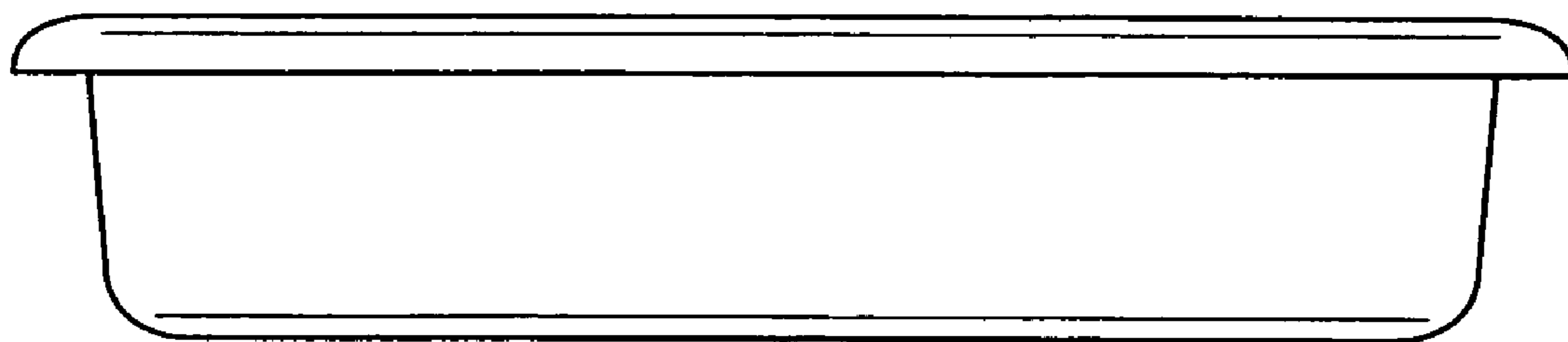


FIG. 5

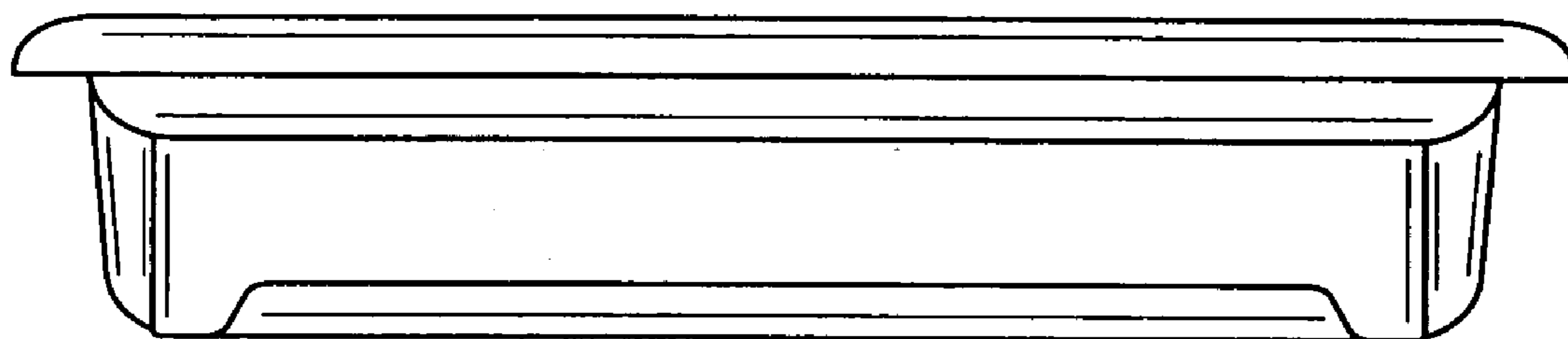


FIG. 6

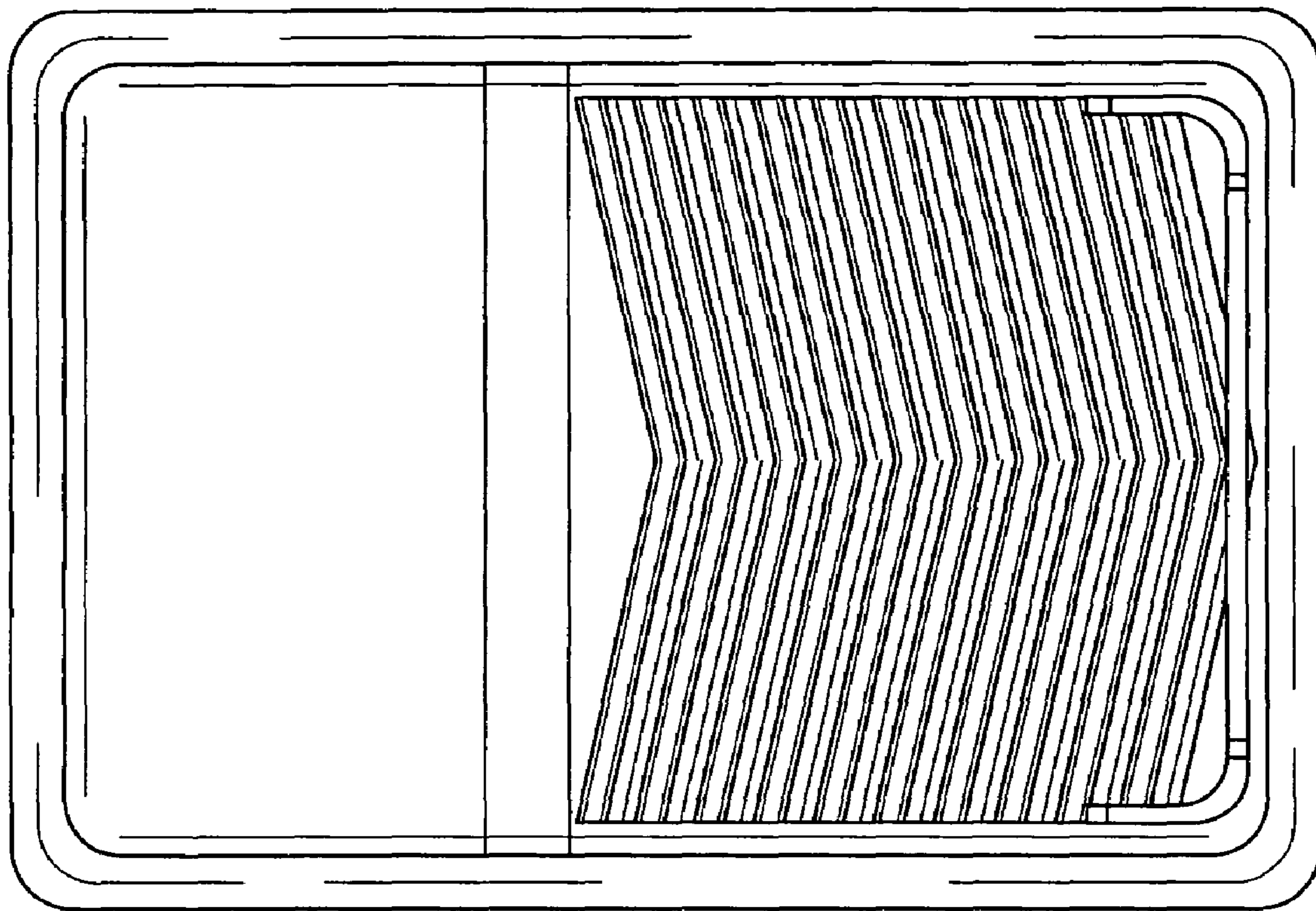


FIG. 7

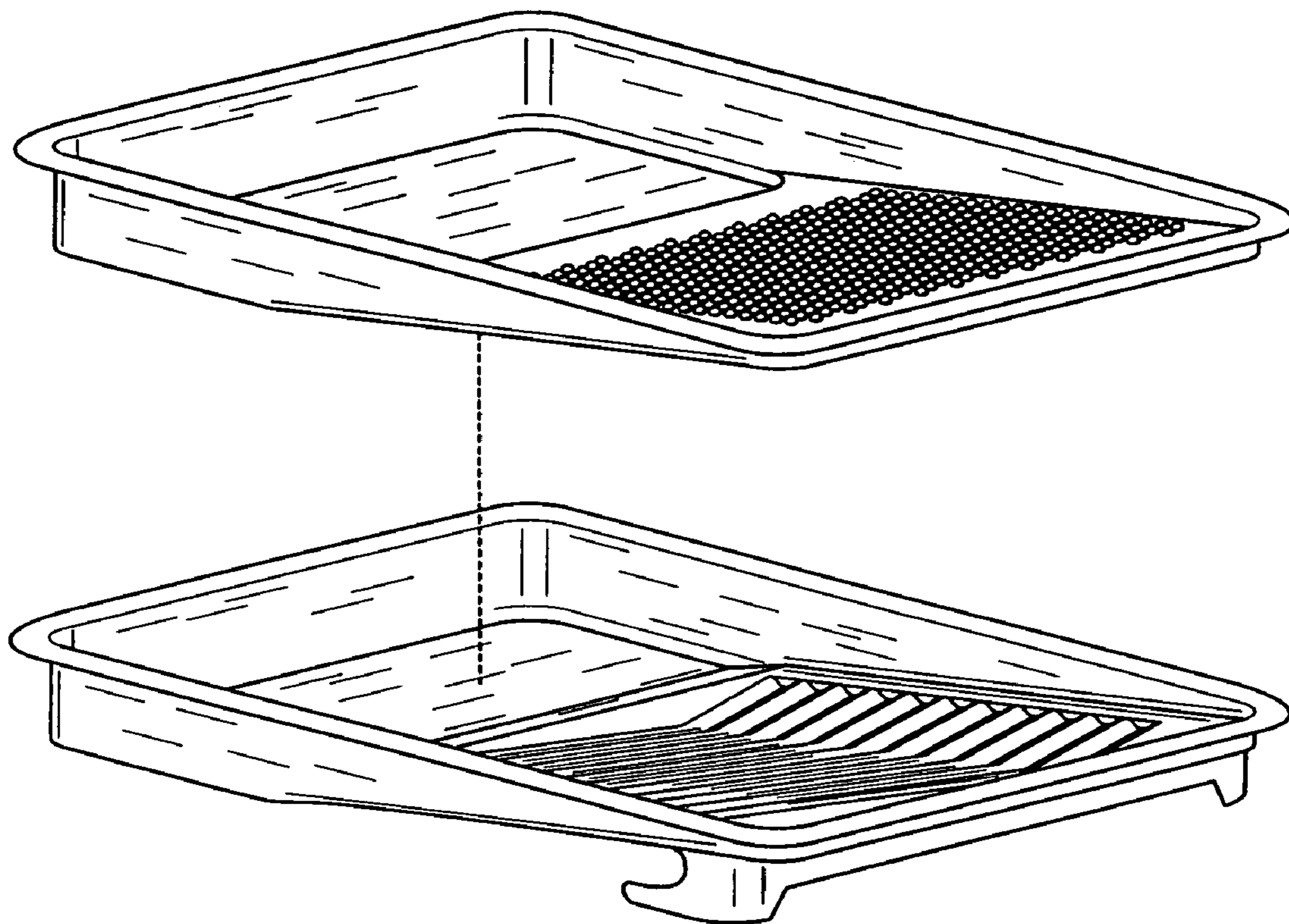


FIG. 8