



US00D569565S

(12) **United States Design Patent**
Leahy et al.

(10) **Patent No.:** **US D569,565 S**

(45) **Date of Patent:** **** May 20, 2008**

(54) **CLEANING SPONGE**

(75) Inventors: **Timotheos J. Leahy**, Saint Paul, MN (US); **Bonnie C. Lembitz**, Woodbury, MN (US)

(73) Assignee: **3M Innovative Properties Company**, St. Paul, MN (US)

(**) Term: **14 Years**

(21) Appl. No.: **29/297,971**

(22) Filed: **Nov. 26, 2007**

(51) **LOC (8) Cl.** **07-05**

(52) **U.S. Cl.** **D32/40**

(58) **Field of Classification Search** D32/40-41;
D28/63; 15/118, 208, 210.1, 229.11-229.12;
451/523-533, 537; 427/429

See application file for complete search history.

(56) **References Cited**

U.S. PATENT DOCUMENTS

D405,927 S * 2/1999 Mallios D28/63
D410,308 S * 5/1999 Tintelnot D32/40
D457,698 S 5/2002 Susani
D462,818 S 9/2002 Haro
D476,785 S * 7/2003 Chezzi D32/40
7,124,465 B1 * 10/2006 Kaminstein 15/244.3

7,234,189 B2 * 6/2007 Chen 15/118
D548,414 S * 8/2007 Akin et al. D32/40
D550,913 S * 9/2007 D'Estais D32/40
D553,316 S * 10/2007 Poizeau et al. D32/40

FOREIGN PATENT DOCUMENTS

BE RCD-000468269-0001 1/2006

* cited by examiner

Primary Examiner—Pamela J. Burgess

(74) *Attorney, Agent, or Firm*—Trisha D. Adamson

(57) **CLAIM**

The ornamental design for a cleaning sponge, as shown and described.

DESCRIPTION

FIG. 1 is a perspective view of the new design for a cleaning sponge;

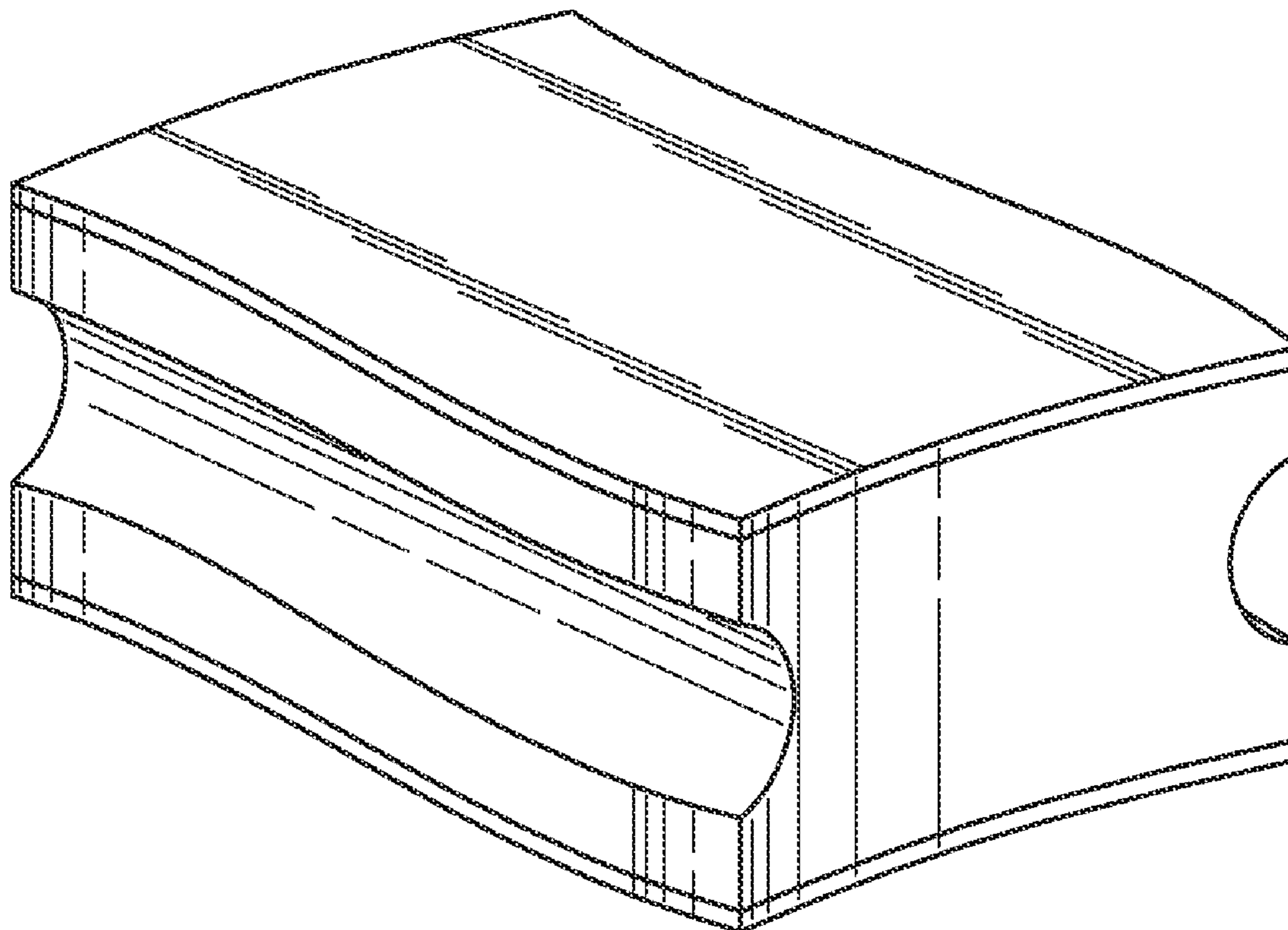
FIG. 2 is a top view thereof, the bottom view being a mirror image thereof;

FIG. 3 is a left side view thereof, the right side view being a mirror image thereof;

FIG. 4 is a front view thereof; and,

FIG. 5 is a rear view thereof.

1 Claim, 2 Drawing Sheets



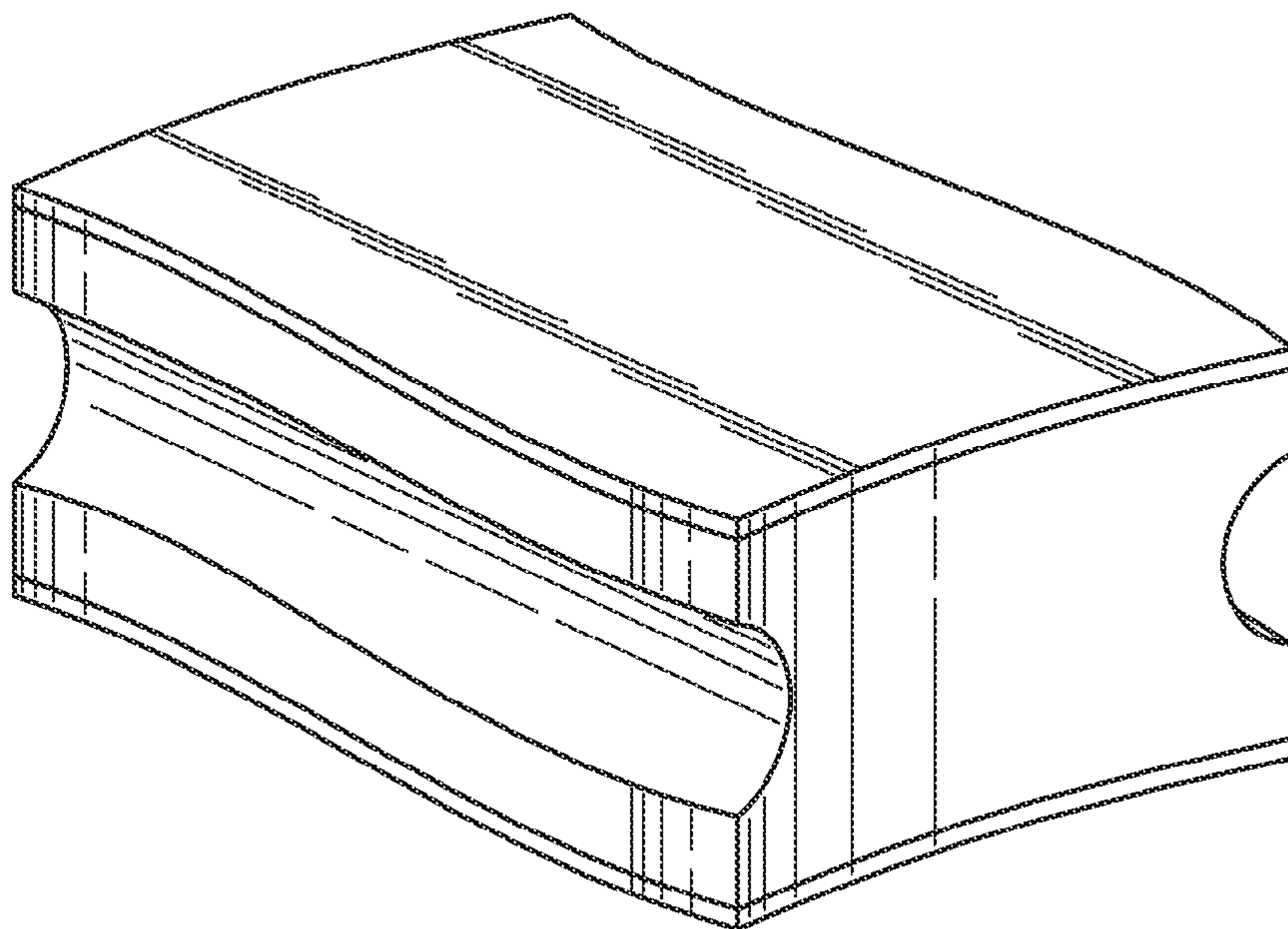


Fig. 1

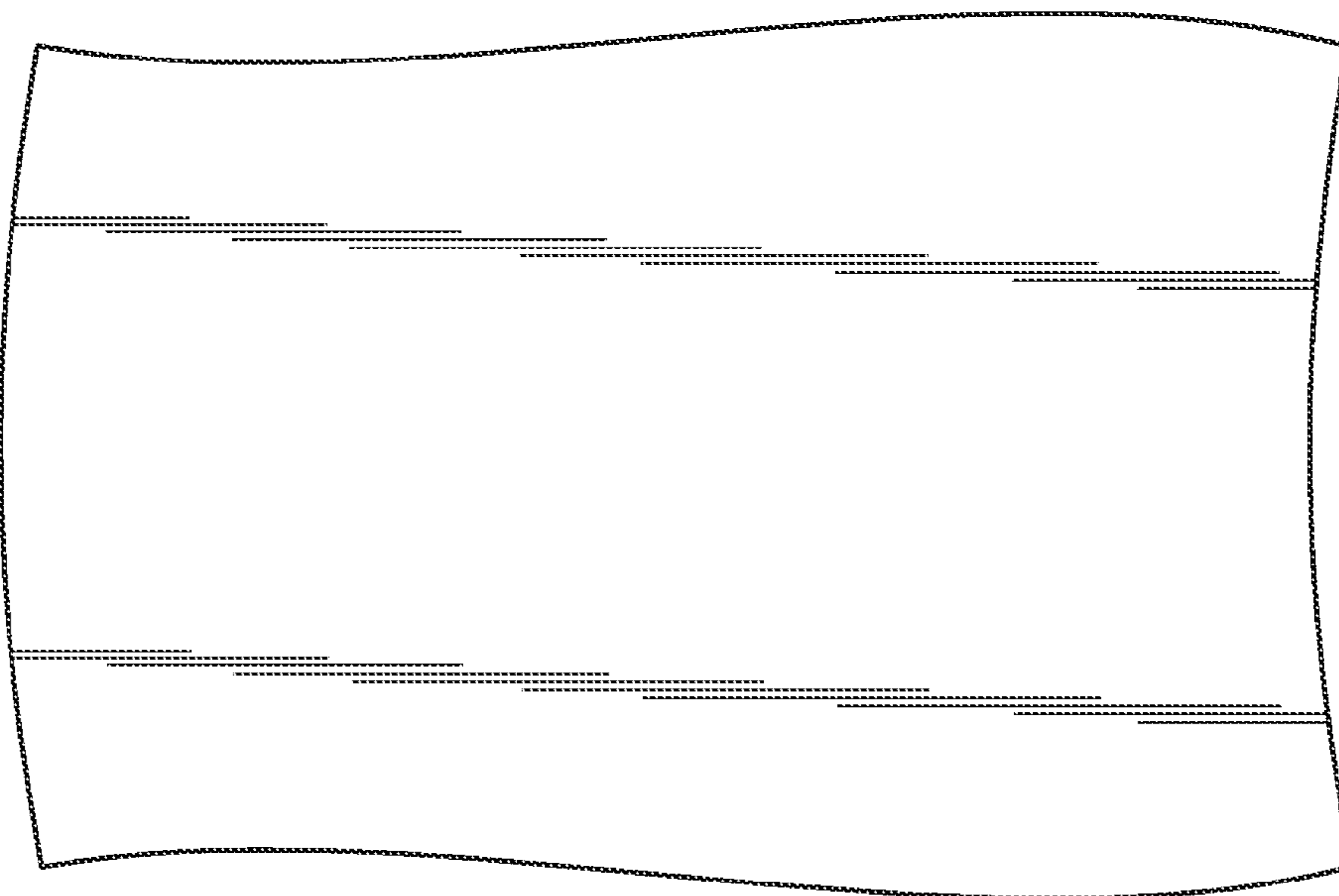


Fig. 2

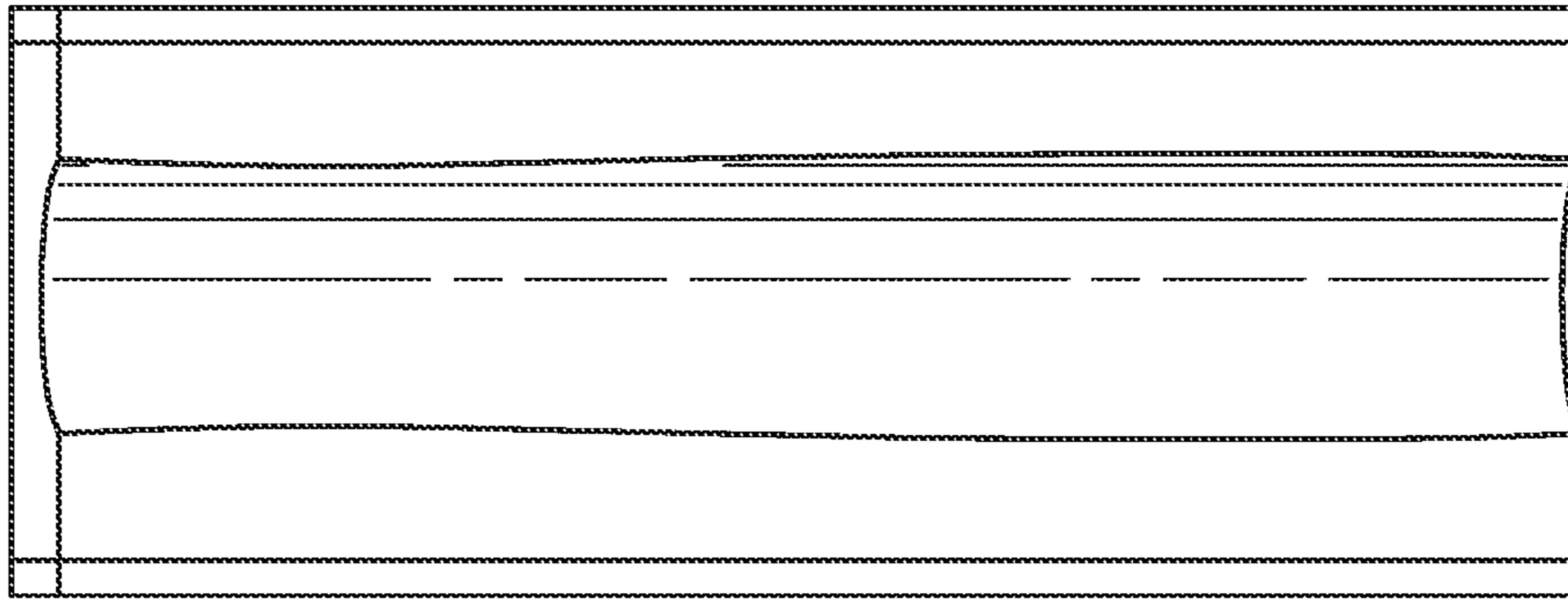


Fig. 3

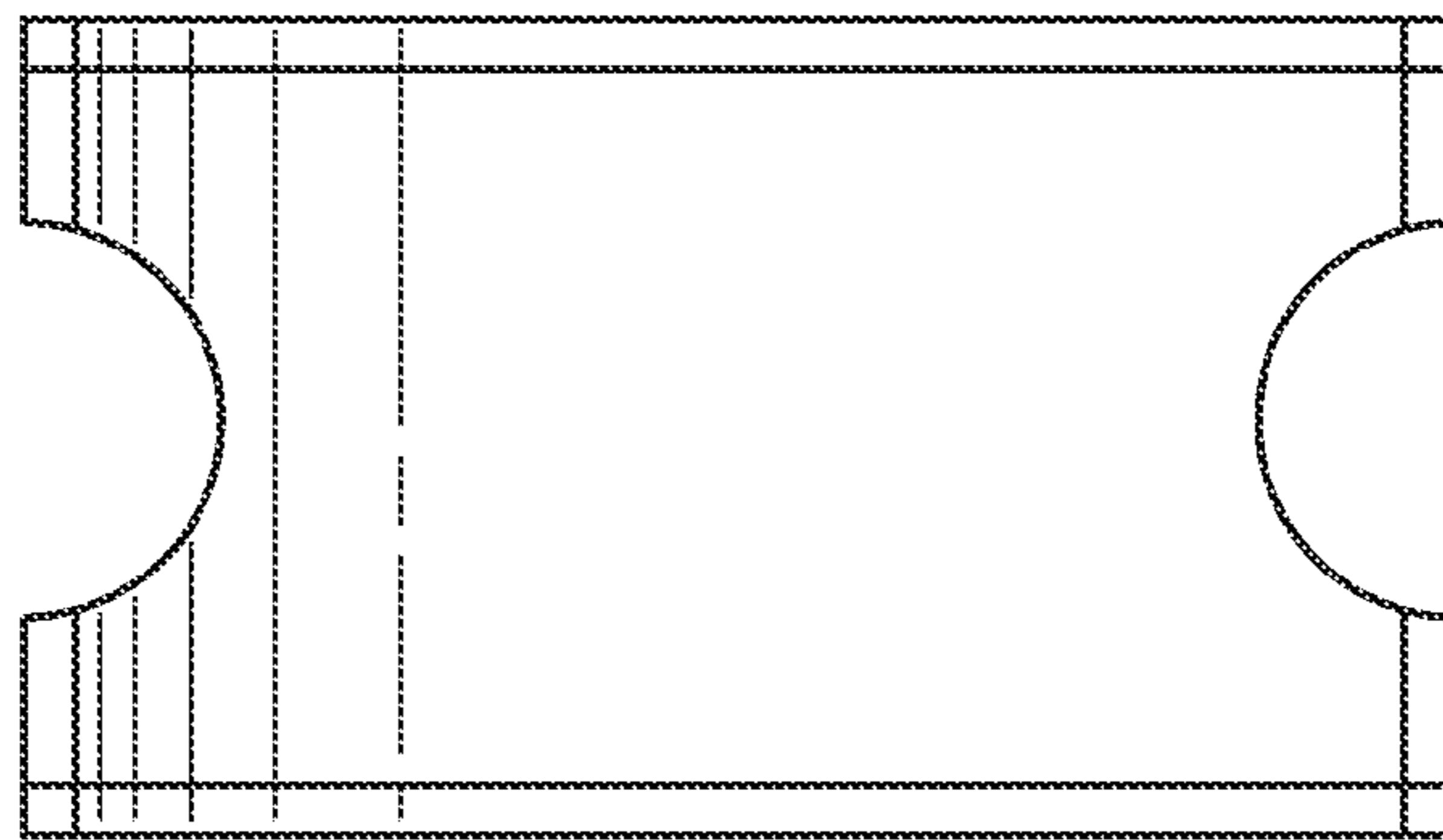


Fig. 4



Fig. 5